



US00D856730S

(12) **United States Design Patent**  
**Pisarevsky**

(10) **Patent No.:** **US D856,730 S**

(45) **Date of Patent:** **\*\* Aug. 20, 2019**

(54) **COMBINATION PORTABLE BEVERAGE  
BREWER AND INSULATING BEVERAGE  
CONTAINER**

(71) Applicant: **Arie Pisarevsky**, Montreal (CA)

(72) Inventor: **Arie Pisarevsky**, Montreal (CA)

(\*\*) Term: **15 Years**

(21) Appl. No.: **29/610,835**

(22) Filed: **Jul. 17, 2017**

(51) **LOC (12) Cl.** ..... **07-01**

(52) **U.S. Cl.**  
USPC ..... **D7/300; D7/507; D7/399**

(58) **Field of Classification Search**  
USPC ..... D7/507, 397, 399, 400, 306, 300, 510,  
D7/511, 313; 99/295  
CPC .. A47J 31/44; A47J 31/02; A47J 31/16; A47J  
31/005

See application file for complete search history.

(56) **References Cited**

**U.S. PATENT DOCUMENTS**

D49,991	S	*	12/1916	Cordley	.....	D7/300
2,414,901	A	*	1/1947	Schlumbohm	.....	A47J 45/08
						215/396
2,414,902	A	*	1/1947	Schlumbohm	.....	A47J 45/08
						210/470
3,266,411	A	*	8/1966	Oakley	.....	A47J 31/446
						210/474
3,276,655	A	*	10/1966	Manheim	.....	B01D 29/085
						229/400
D217,381	S	*	4/1970	Douglas	.....	210/473
4,419,232	A	*	12/1983	Arntyr	.....	E03C 1/262
						210/164
5,775,205	A	*	7/1998	Melton	.....	A47G 19/16
						99/322
D557,977	S	*	12/2007	Neace	.....	D7/397
D560,097	S	*	1/2008	Shen	.....	D7/300
D606,805	S	*	12/2009	Neace	.....	D7/399

7,858,133	B2	*	12/2010	Neace, Jr.	.....	A47J 31/16
						210/219
D695,064	S	*	12/2013	Seymour	.....	D7/300
D695,065	S	*	12/2013	Seymour	.....	D7/300
D742,160	S	*	11/2015	Bodum	.....	D7/316
D750,935	S	*	3/2016	Cook	.....	D7/399
D766,655	S	*	9/2016	Neace, Jr.	.....	D7/397
9,516,974	B2	*	12/2016	Herling	.....	A47J 31/18
9,681,771	B2	*	6/2017	Herling	.....	A47J 31/18
D823,034	S	*	7/2018	Cailleton	.....	D7/300
D823,049	S	*	7/2018	Neace, Jr.	.....	D7/399
D828,093	S	*	9/2018	Chitayat	.....	D7/507
D832,058	S	*	10/2018	Pisarevsky	.....	D7/608

(Continued)

*Primary Examiner* — Marianne N Pandozzi

(57) **CLAIM**

The ornamental design for a combination portable beverage brewer and insulating beverage container, as shown and described.

**DESCRIPTION**

FIG. 1 is a front view of the combination portable beverage brewer and insulating beverage container showing my new design;

FIG. 2 is a side view thereof;

FIG. 3 is an exploded view thereof;

FIG. 4 is a perspective view thereof;

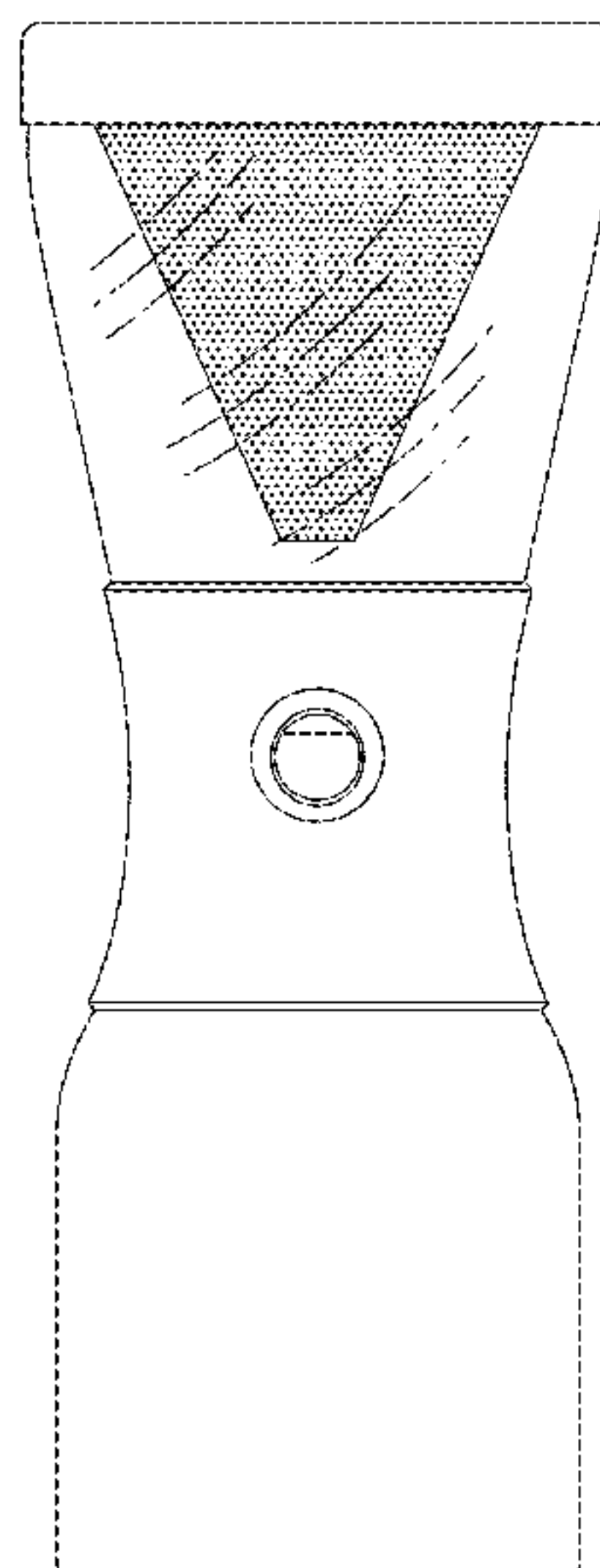
FIG. 5 is a top view of the combination portable beverage brewer and insulating beverage container with the air hole in an open position;

FIG. 6 is a top view of the combination portable beverage brewer and insulating beverage container with the air hole in a closed position; and,

FIG. 7 is a bottom view of the combination portable beverage brewer and insulating beverage container.

The broken lines shown in the drawing depict portions of the combination cold brew coffee maker and insulating drinking container that form no part of the claimed design.

**1 Claim, 5 Drawing Sheets**



(56)

**References Cited**

U.S. PATENT DOCUMENTS

2008/0148955 A1\* 6/2008 Neace ..... A47J 31/002  
99/279  
2014/0124435 A1\* 5/2014 Jackson ..... A47J 31/0689  
210/473  
2014/0174965 A1\* 6/2014 Herling ..... A47J 31/18  
206/216  
2016/0360918 A1\* 12/2016 Chen ..... A23F 3/18  
2017/0181565 A1\* 6/2017 Nam ..... A47J 31/06  
2018/0055272 A1\* 3/2018 Sachtleben ..... A47J 31/06

\* cited by examiner

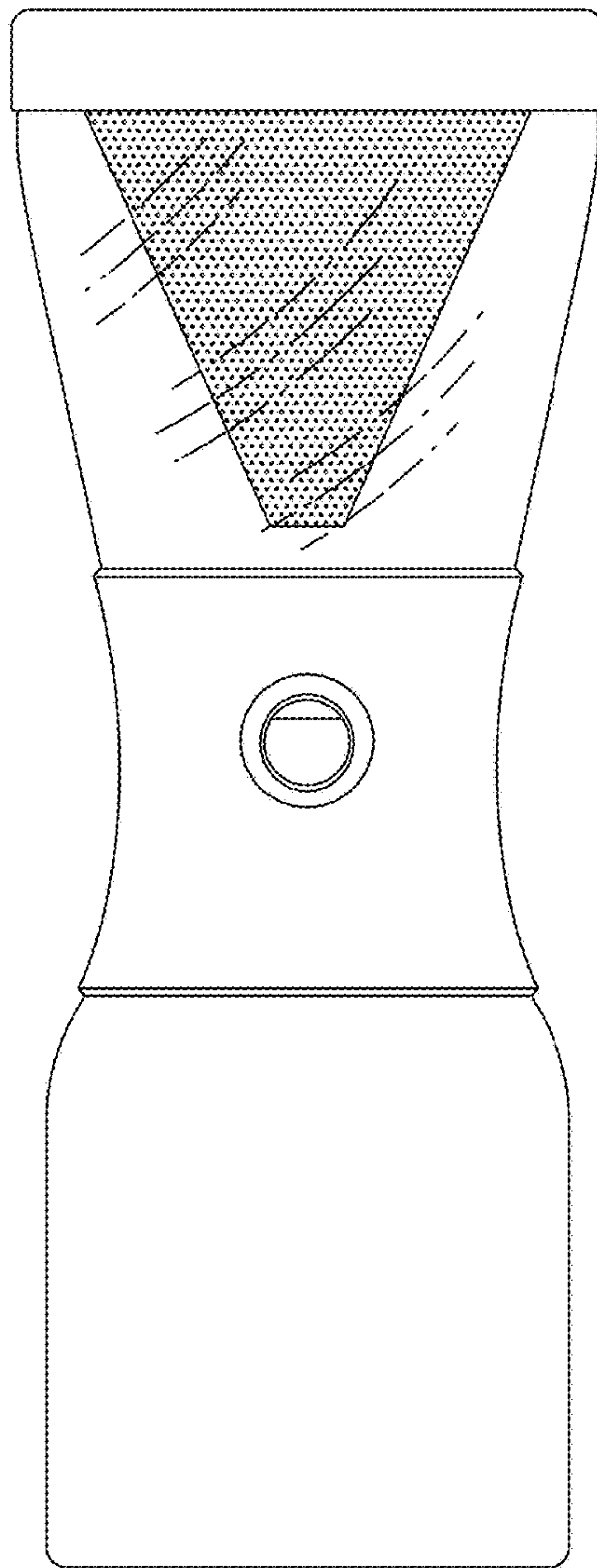


Fig.1

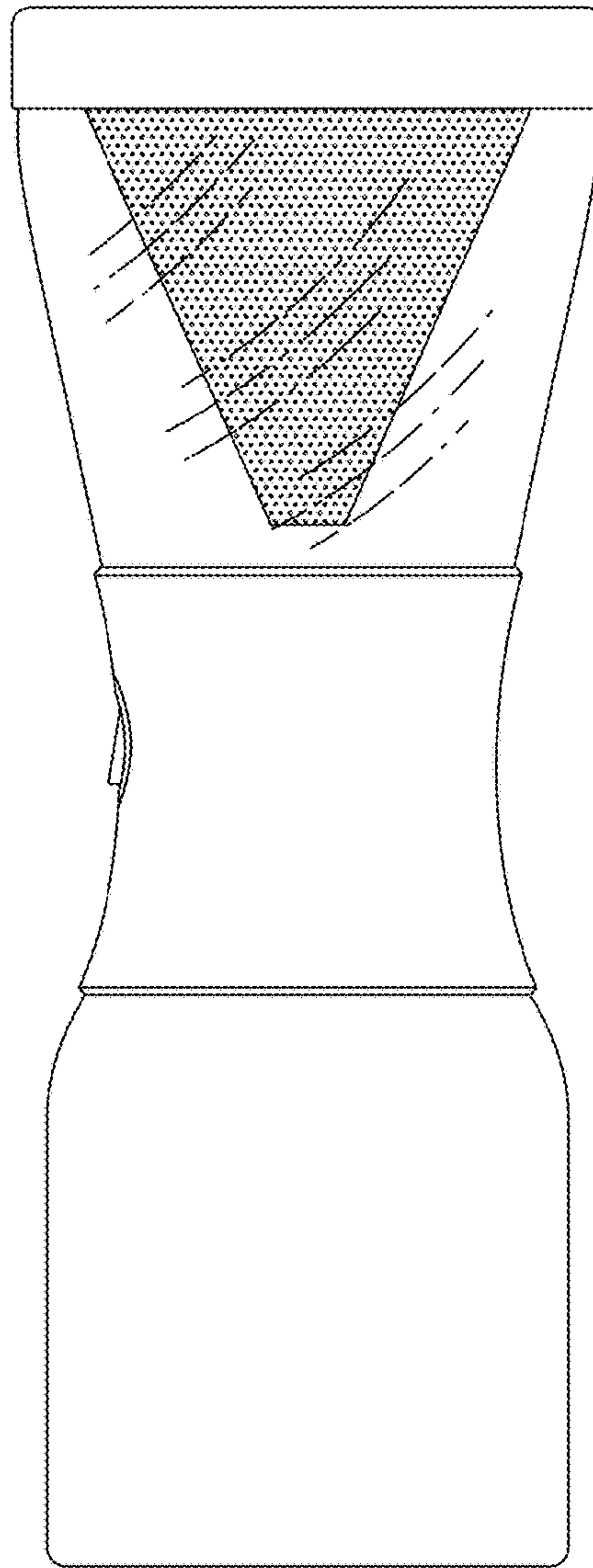


Fig.2

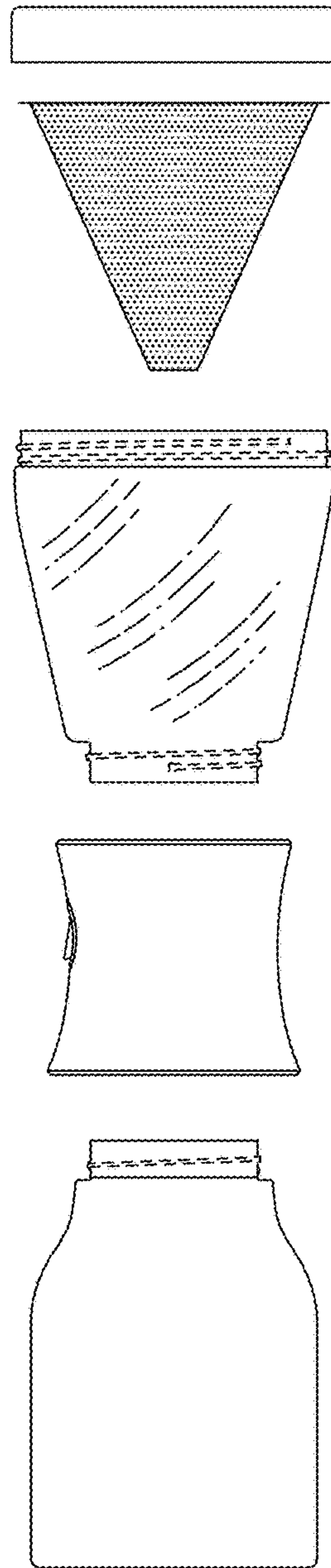


Fig.3

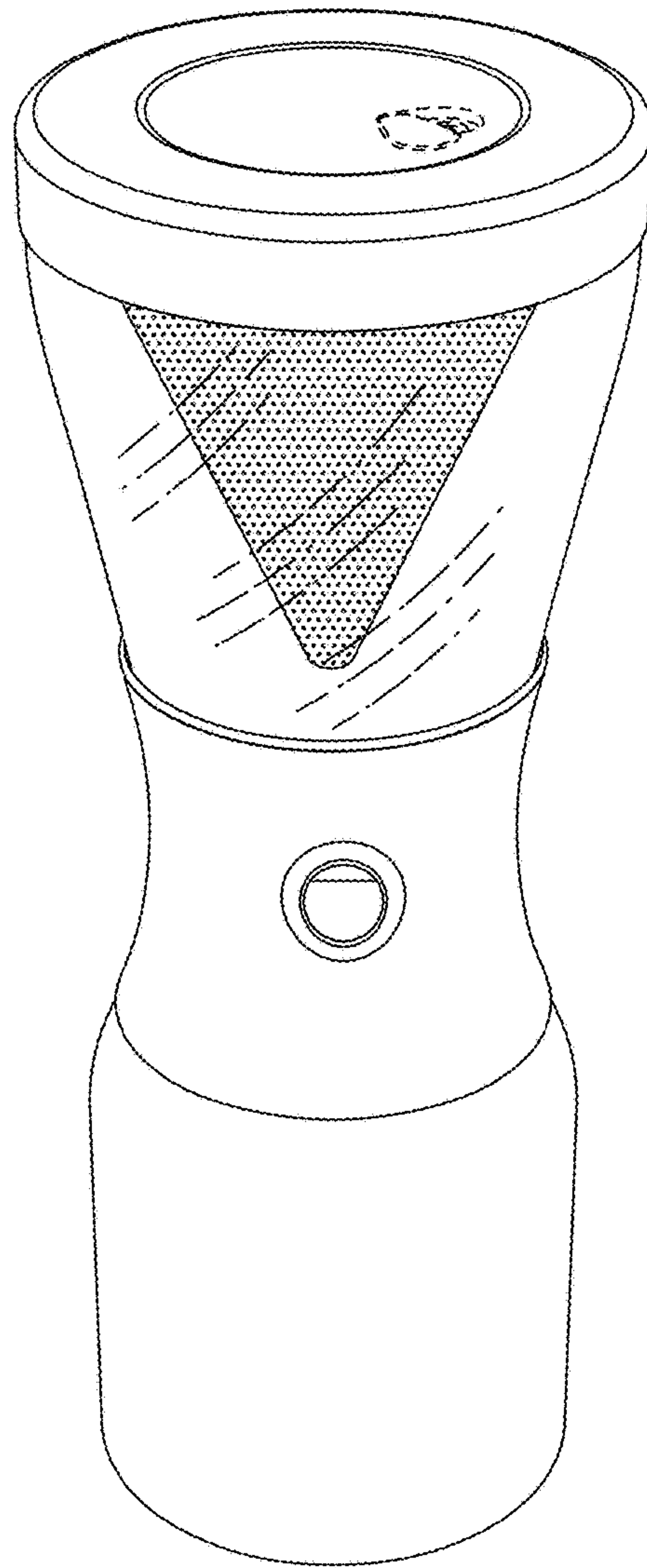


Fig.4



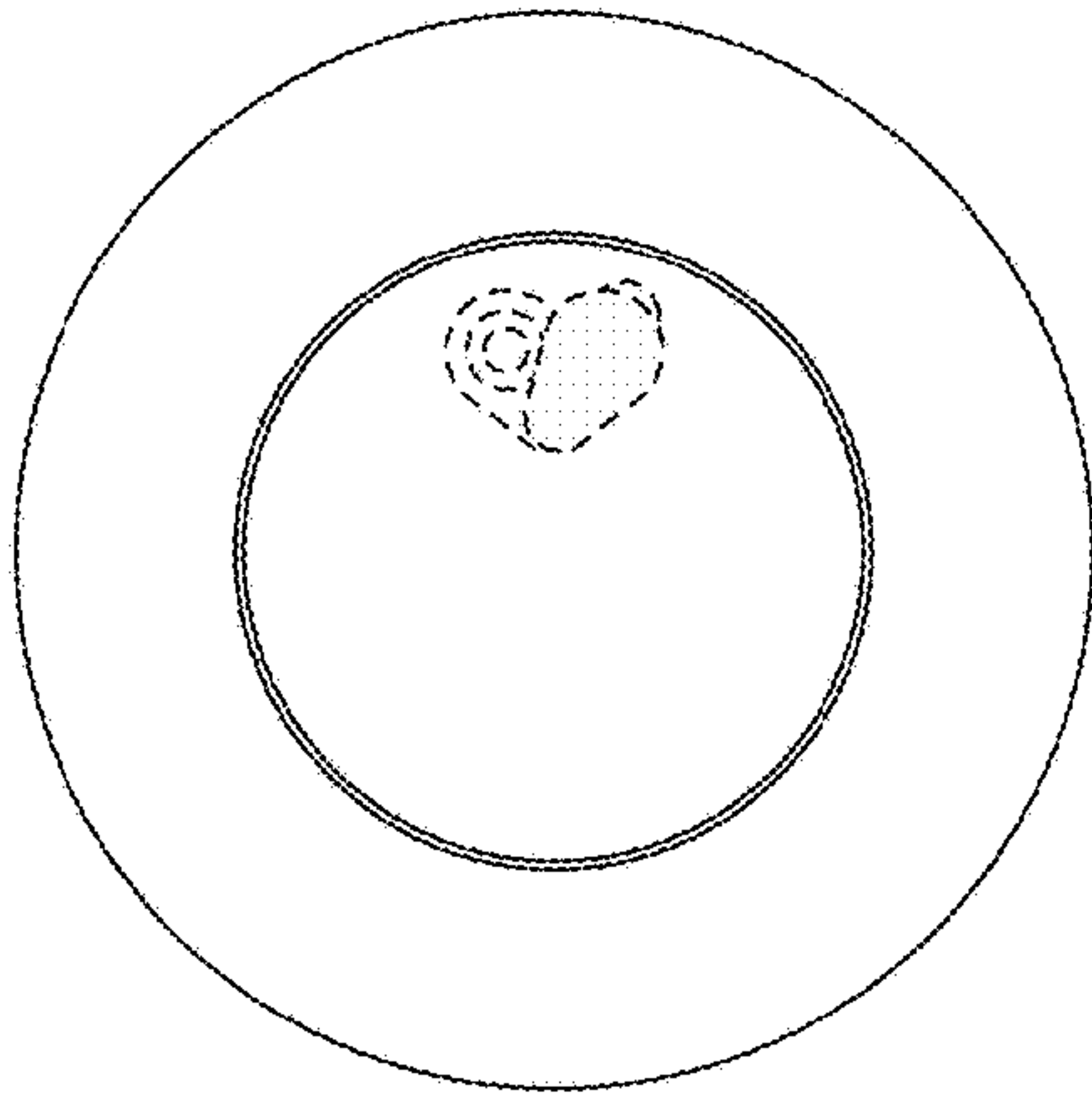


Fig.5

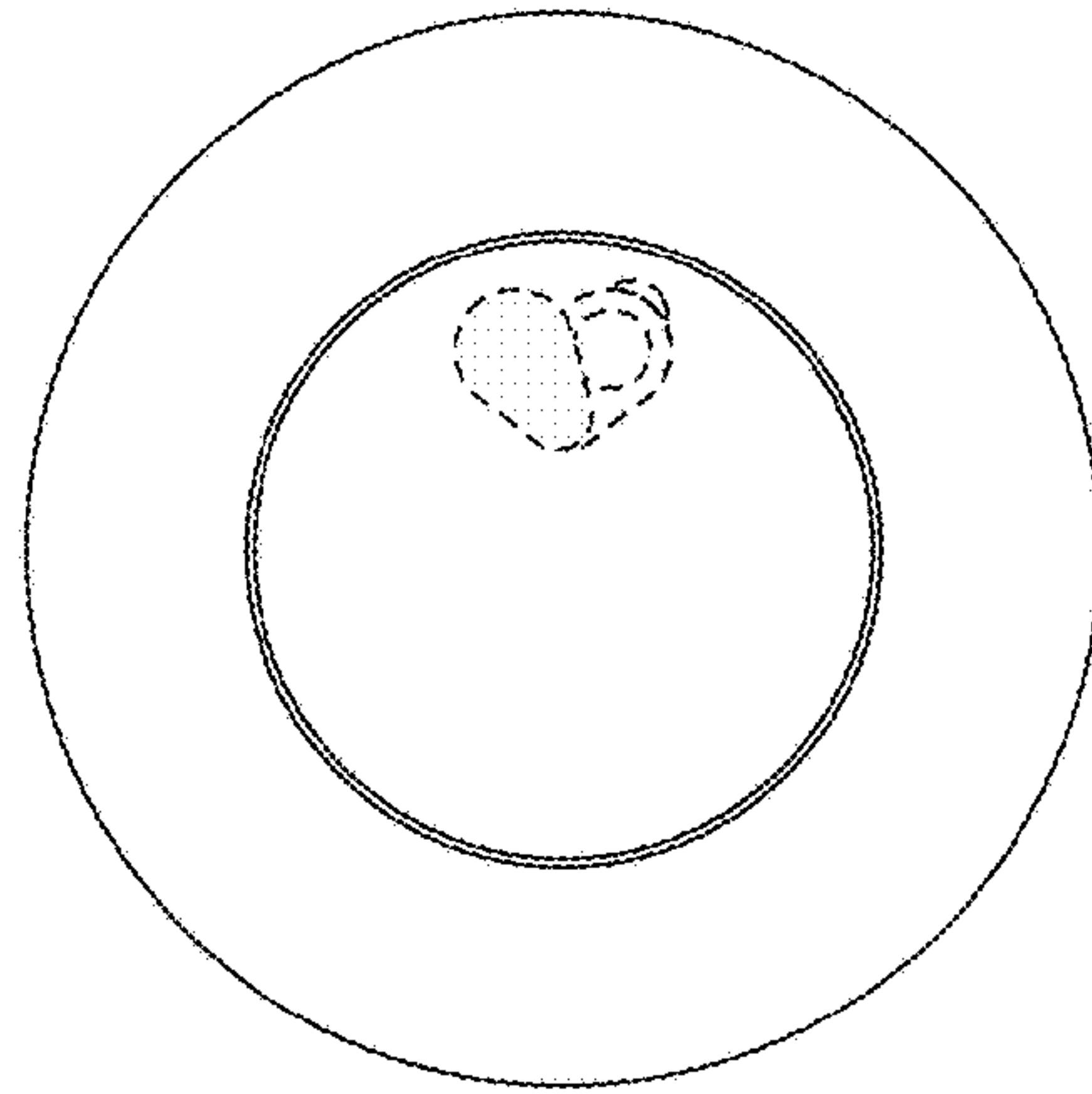


Fig.6

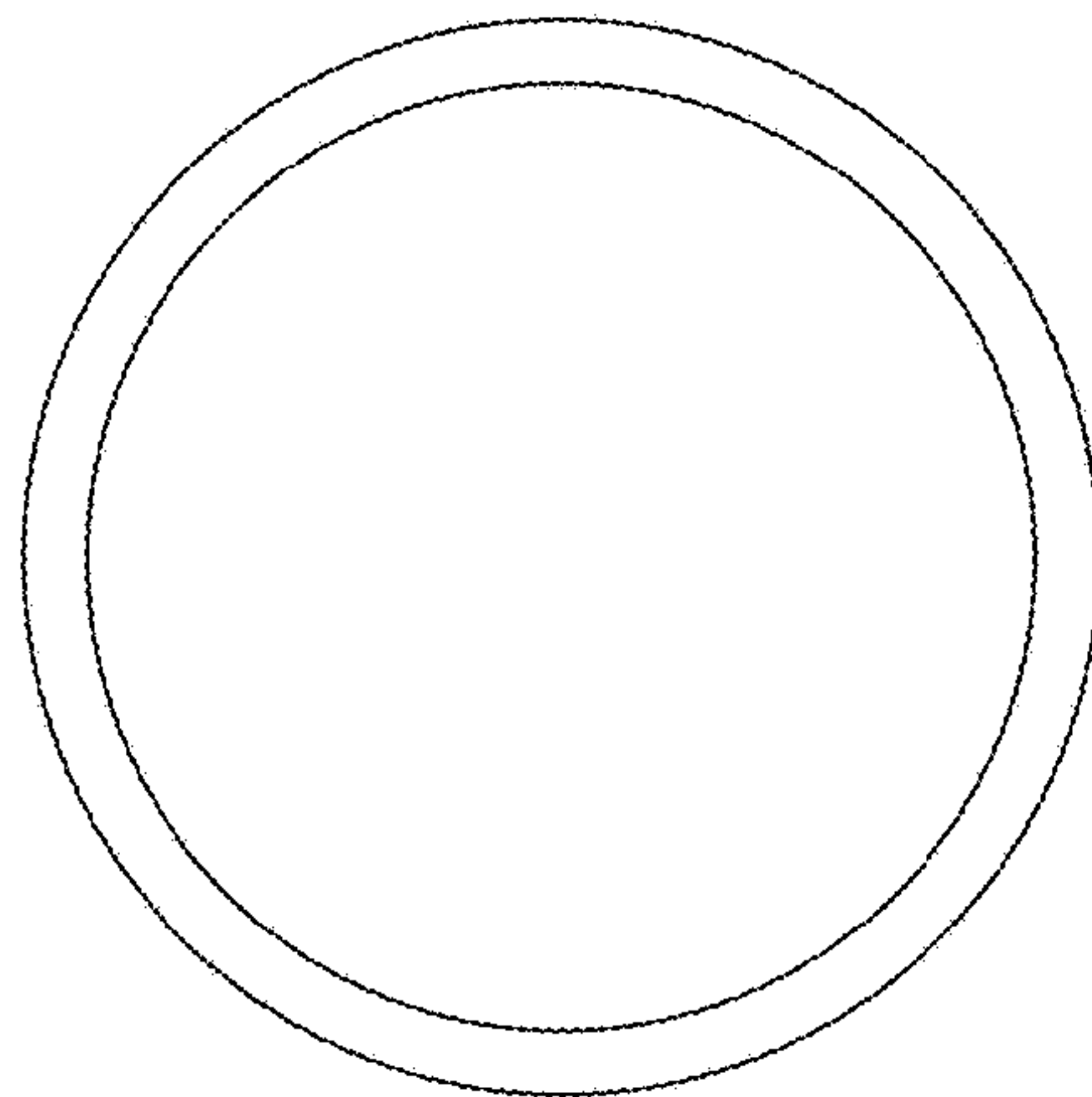


Fig.7