



US00D856727S

(12) **United States Design Patent** (10) **Patent No.:** **US D856,727 S**
Rajkiewicz et al. (45) **Date of Patent:** **** Aug. 20, 2019**

(54) **STOOL**

(71) Applicant: **AmTab Manufacturing Corporation**,
Aurora, IL (US)

(72) Inventors: **Gregory Rajkiewicz**, Elk Grove
Village, IL (US); **Doss Samikkannu**,
Des Plaines, IL (US); **Jeremias C.**
Rivera, Jr., Elmhurst, IL (US)

(73) Assignee: **Amtab Manufacturing Corporation**,
Aurora, IL (US)

(**) Term: **15 Years**

(21) Appl. No.: **29/619,699**

(22) Filed: **Sep. 29, 2017**

(51) **LOC (12) Cl.** **06-06**

(52) **U.S. Cl.**

USPC **D6/716.1**

(58) **Field of Classification Search**

USPC D6/334, 336-342, 349-353, 355, 358,
D6/360, 364-365, 406.2, 574, 596-597,
D6/601, 604, 688.24-688.27, 691-691.9,
D6/692-692.6, 716-716.1

CPC .. A47C 16/02-04; A47C 13/00; A47K 17/02;
A47K 17/028

See application file for complete search history.

(56) **References Cited**

U.S. PATENT DOCUMENTS

D243,909 S *	4/1977	Gabourie	D6/364
D355,077 S *	2/1995	Tegner	D30/118
D439,452 S *	3/2001	Turner	D6/716.1
D440,058 S *	4/2001	Owens	D6/349
D495,908 S *	9/2004	Wu	D6/360
D496,813 S *	10/2004	Nakajima	D6/349

(Continued)

Primary Examiner — Vy N Koenig

(74) *Attorney, Agent, or Firm* — Hinshaw & Culbertson
LLP

(57) **CLAIM**

We claim the ornamental design for a stool, as shown and
described.

DESCRIPTION

FIG. 1 is a top perspective view of the first and second stool
embodiments of the invention.

FIG. 2 is a bottom perspective view of the first embodiment
of the invention.

FIG. 3 is a front elevation view of the first and second
embodiments of the invention. The back elevation view of
the first and second embodiments is a mirror image of FIG.
3.

FIG. 4 is a right side elevation view of the first and second
embodiments of the invention.

FIG. 5 is a left side elevation view of the first and second
embodiments of the invention.

FIG. 6 is a top plan view of the first, second and third stool
embodiments of the invention.

FIG. 7 is a bottom plan view of the first embodiment of the
invention.

FIG. 8 is a bottom perspective view of the second embodi-
ment of the invention.

FIG. 9 is a bottom plan view of the second embodiment of
the invention.

FIG. 10 is a top perspective view of the third embodiment
of the invention.

FIG. 11 is a bottom perspective view of the third embodi-
ment of the invention.

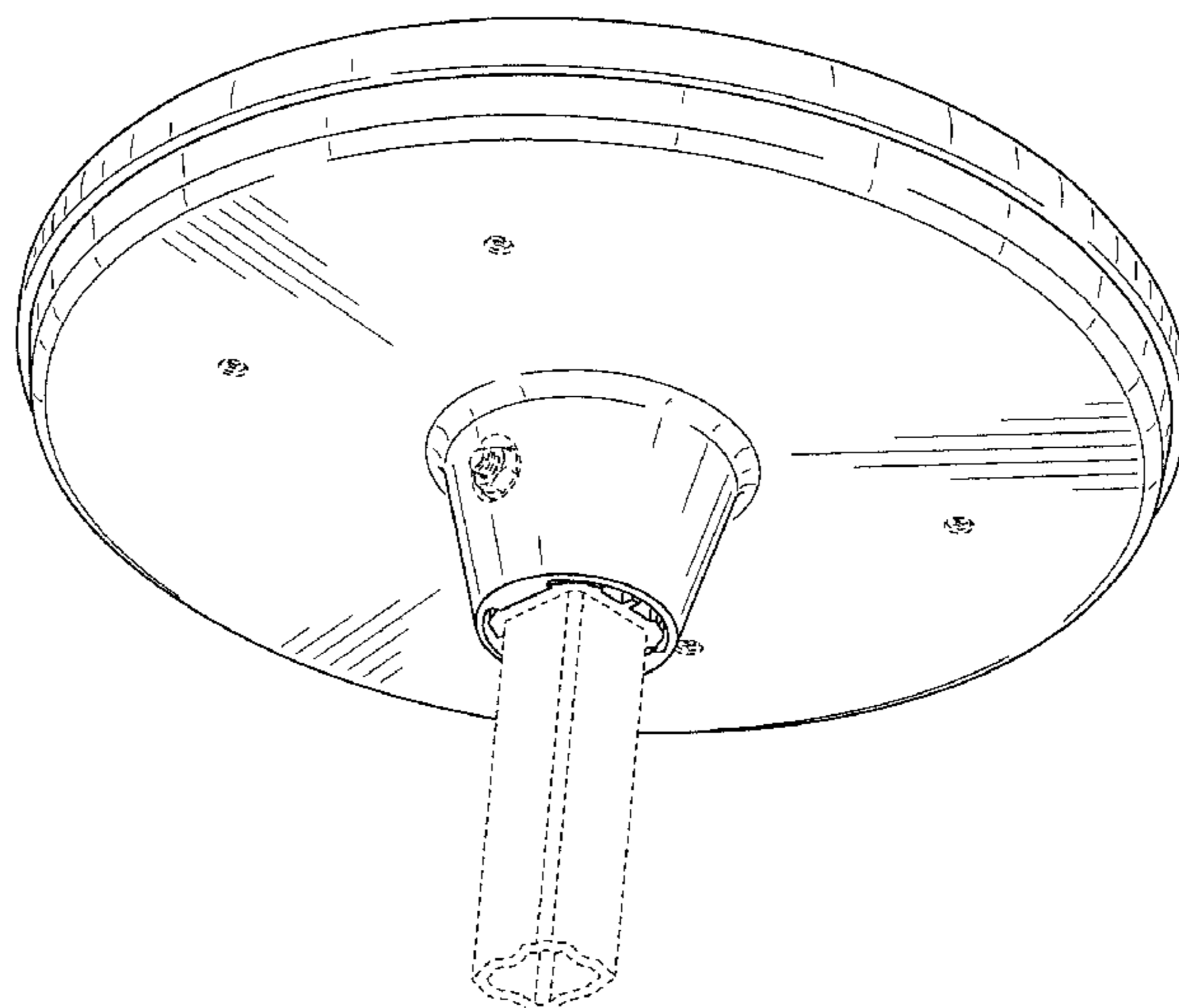
FIG. 12 is a front elevation view of the third embodiment of
the invention, the back elevation view being identical.

FIG. 13 is a left side elevation view of the third embodi-
ment of the invention, the right side elevation view being identi-
cal; and,

FIG. 14 is a bottom plan view of the third embodiment of the
invention.

The dashed lines depict environment only that forms no part
of the claimed design.

1 Claim, 12 Drawing Sheets



(56)

References Cited

U.S. PATENT DOCUMENTS

D521,283	S	*	5/2006	Glass	D6/716.1
D583,595	S	*	12/2008	Knowles	D6/366
D595,969	S	*	7/2009	Hanusiak	D6/349
8,181,583	B2		5/2012	Rivera, Jr. et al.		
8,205,937	B2		6/2012	Rivera, Jr. et al.		
8,479,667	B2		7/2013	Rivera, Jr. et al.		
D701,410	S	*	3/2014	Smith	D6/716.1
D711,675	S	*	8/2014	Sato	D6/349
D713,664	S	*	9/2014	Vetter	D6/716
D725,923	S	*	4/2015	Kaye	D6/349
D725,924	S	*	4/2015	Kaye	D6/349
D725,925	S	*	4/2015	Kaye	D6/349
D729,531	S	*	5/2015	Veatch	D6/349
D748,421	S	*	2/2016	Warner	D6/349
D763,029	S		8/2016	Dickey		
D790,238	S	*	6/2017	Little	D6/349
D796,884	S	*	9/2017	Dickey	D6/716.1
D802,945	S	*	11/2017	Rivera, Jr.	D6/337
D815,442	S	*	4/2018	Harmon	D6/349
2016/0302576	A1		10/2016	Dickey		

* cited by examiner

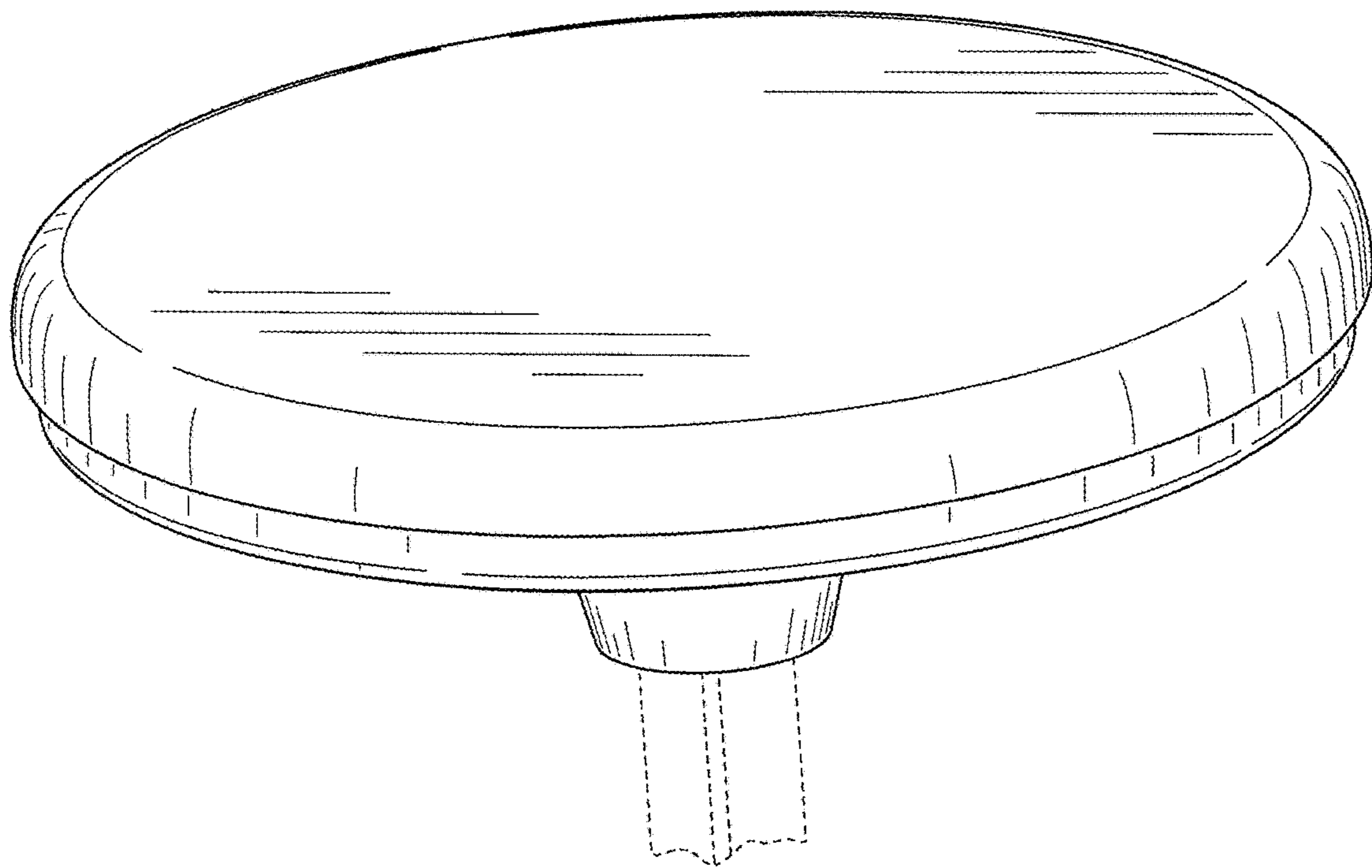


FIG. 1

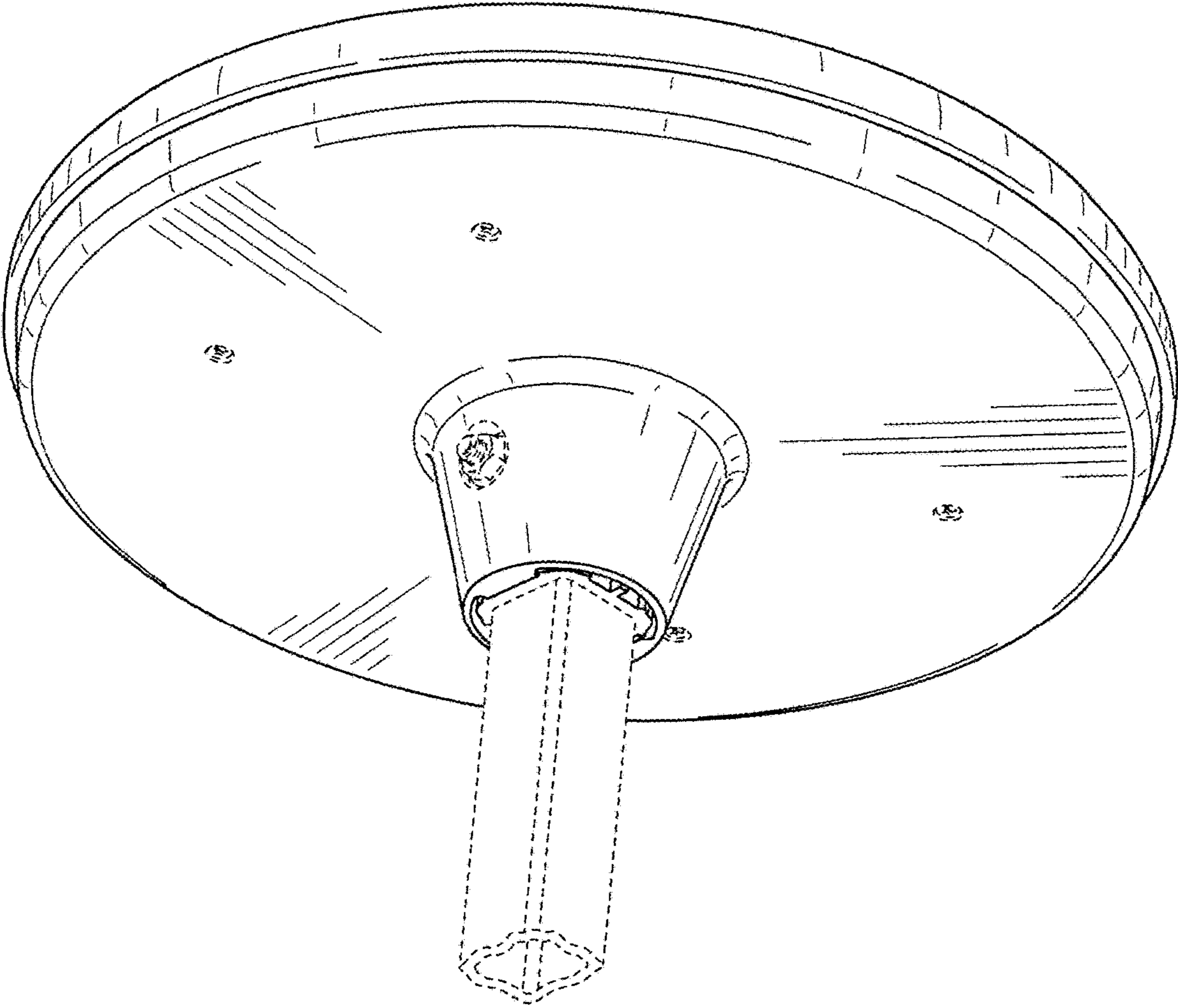


FIG. 2

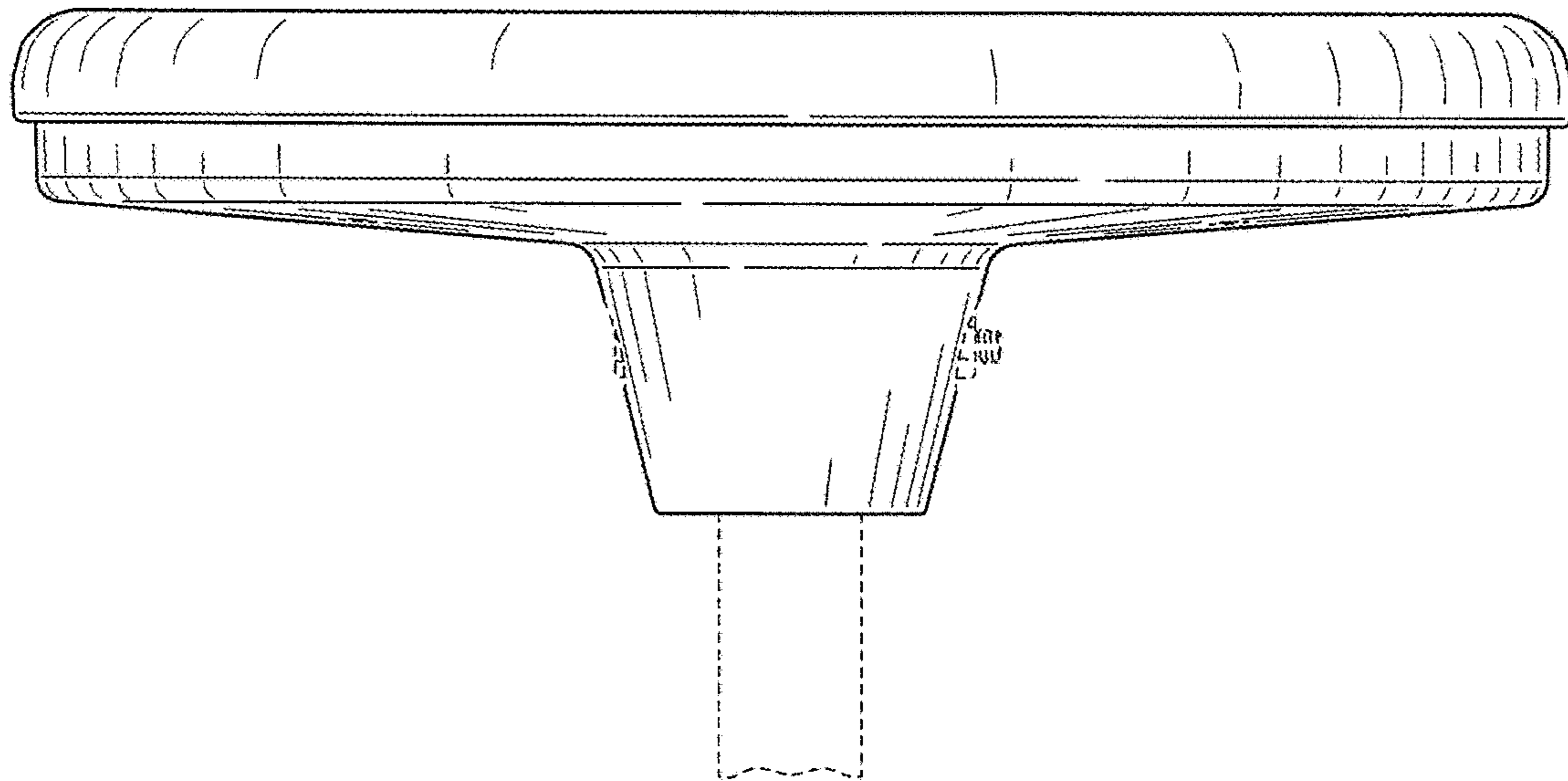


FIG. 3

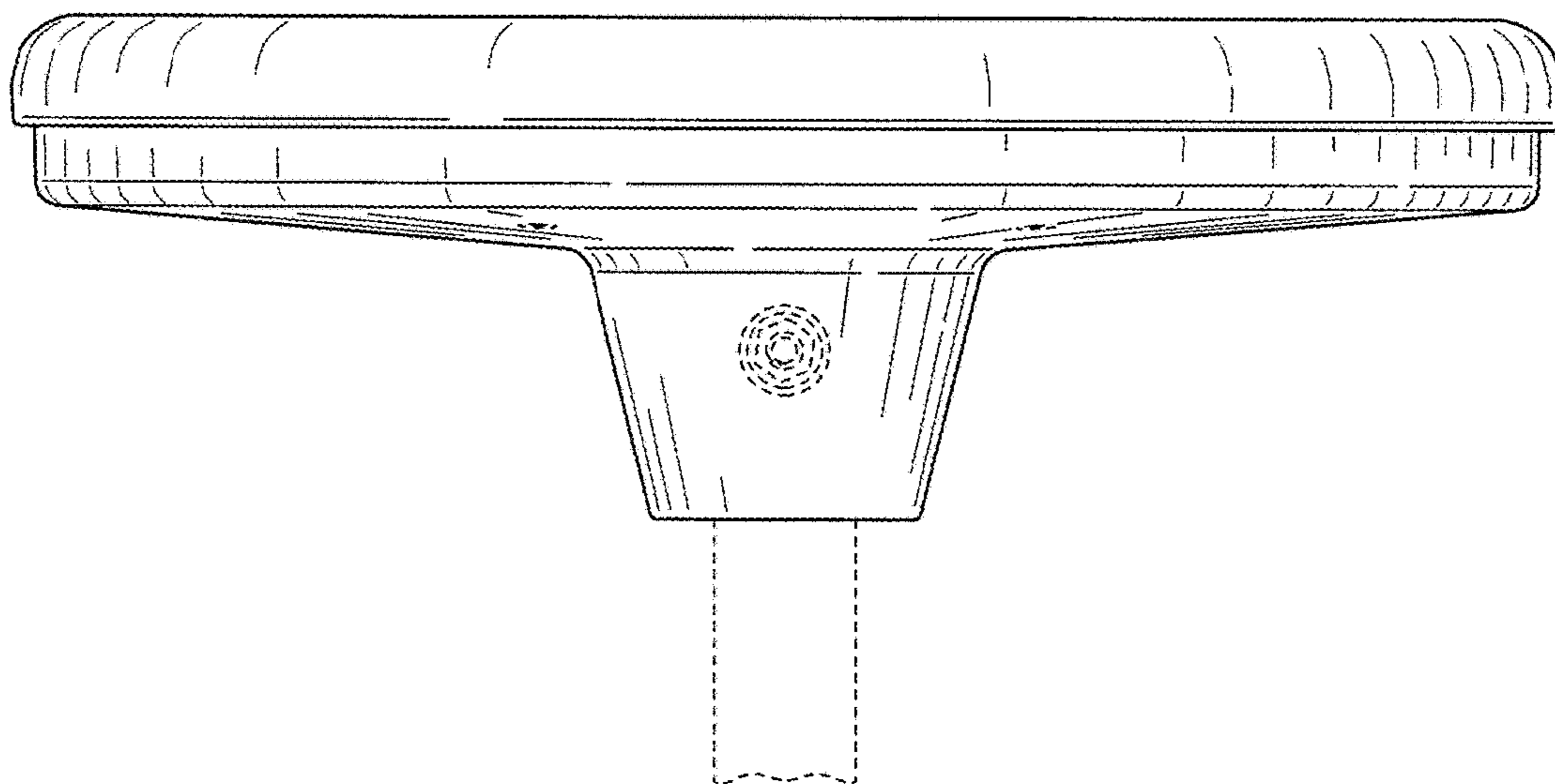


FIG. 4

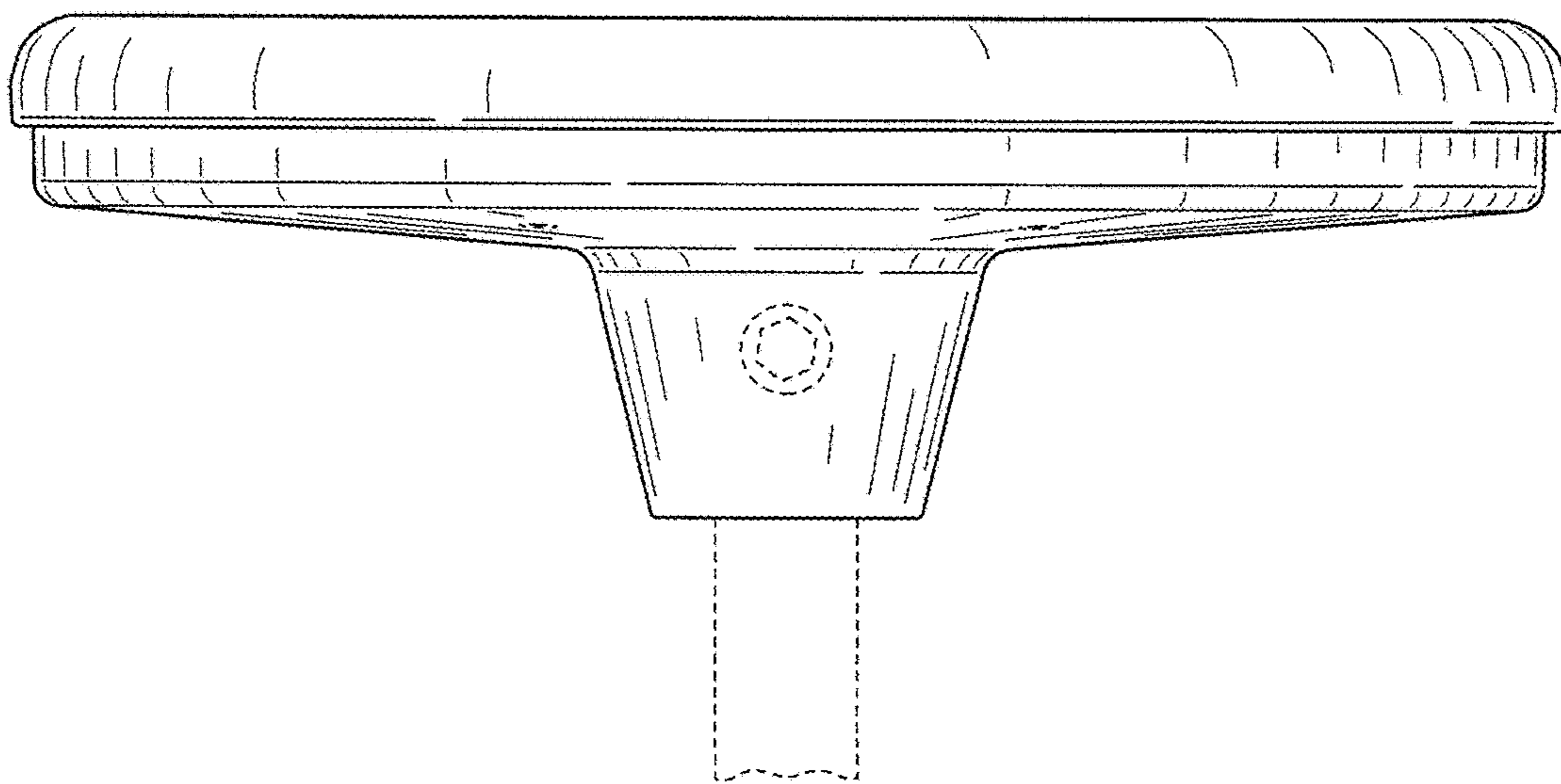


FIG. 5

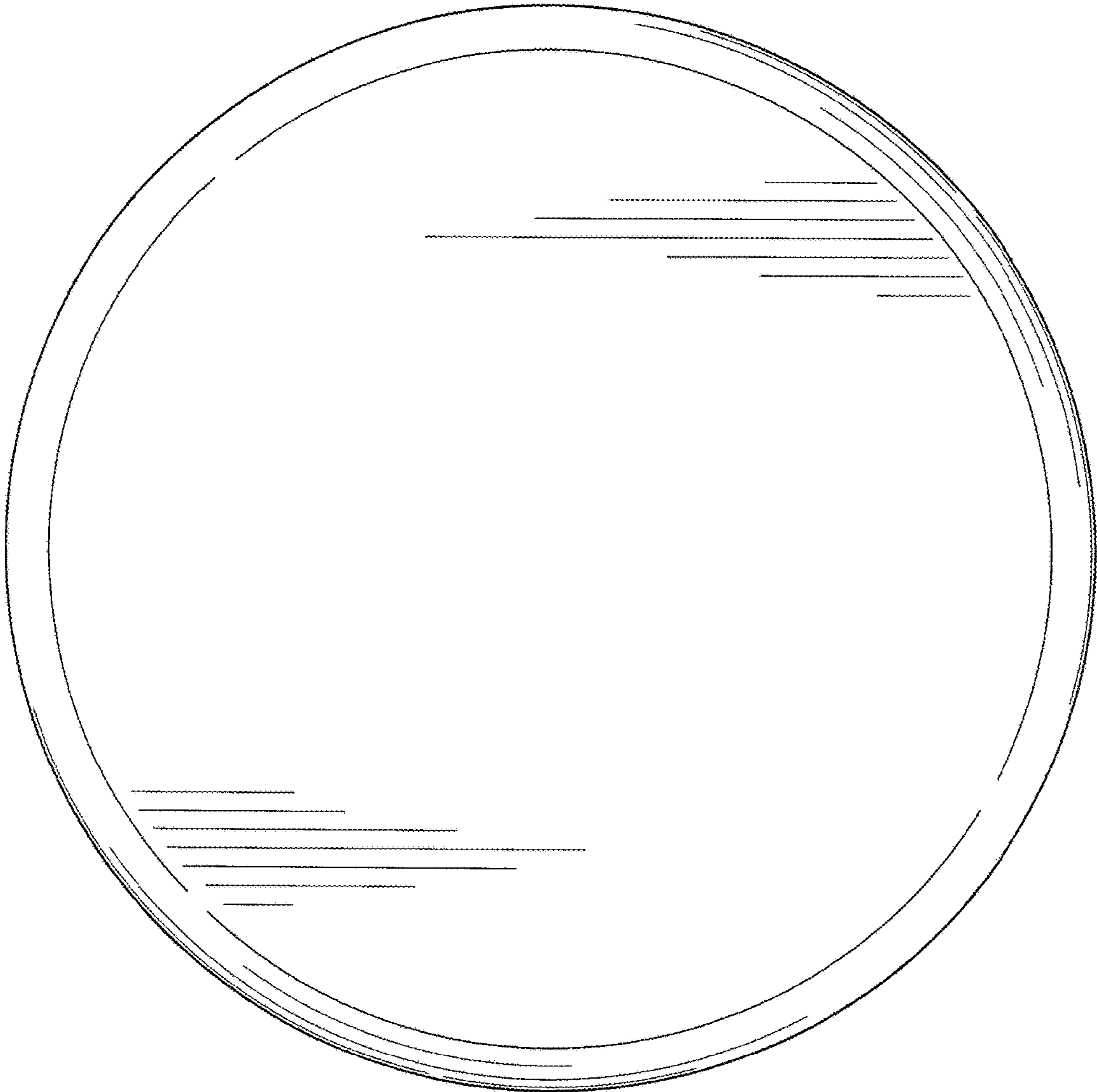


FIG. 6

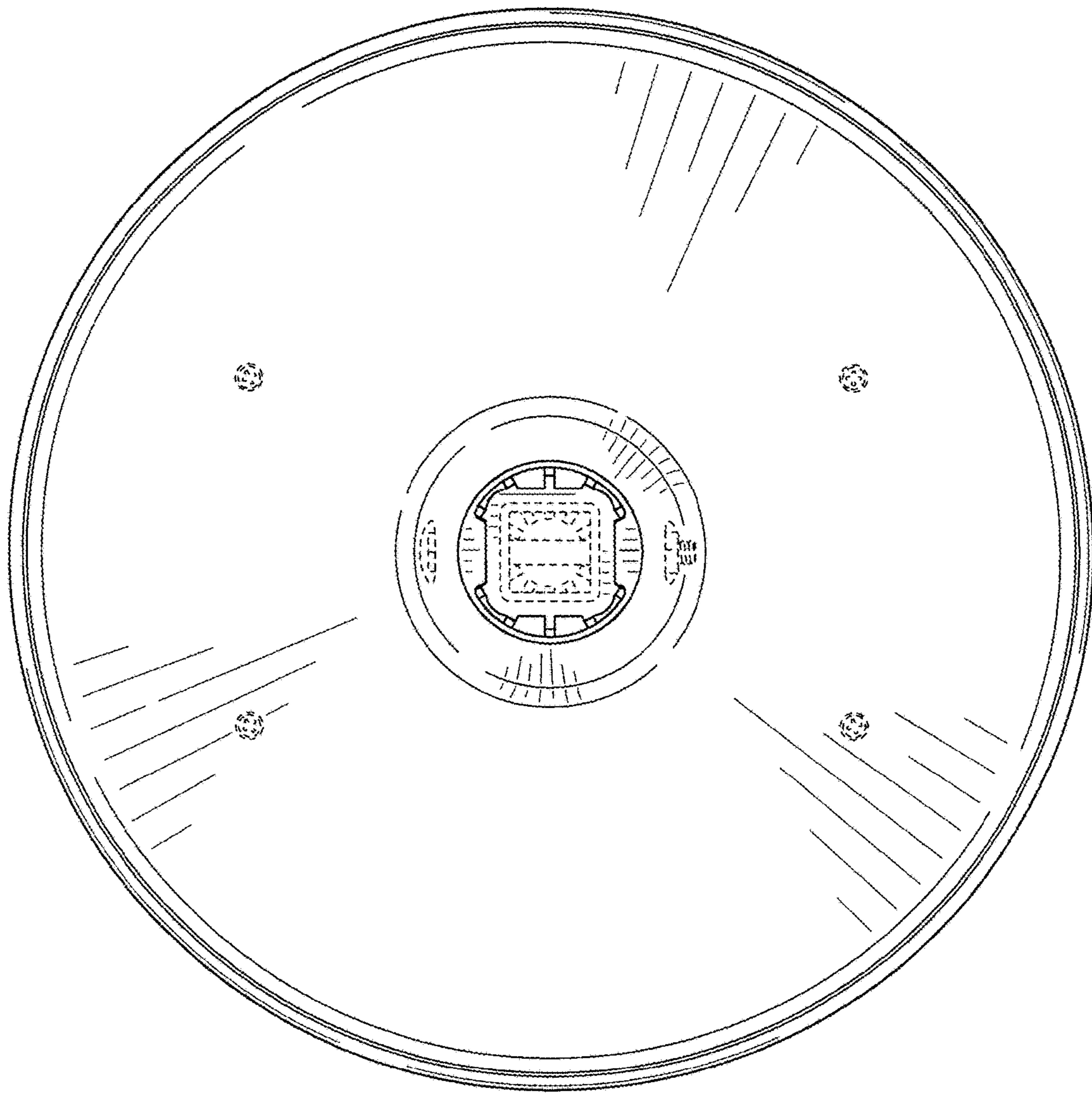


FIG. 7

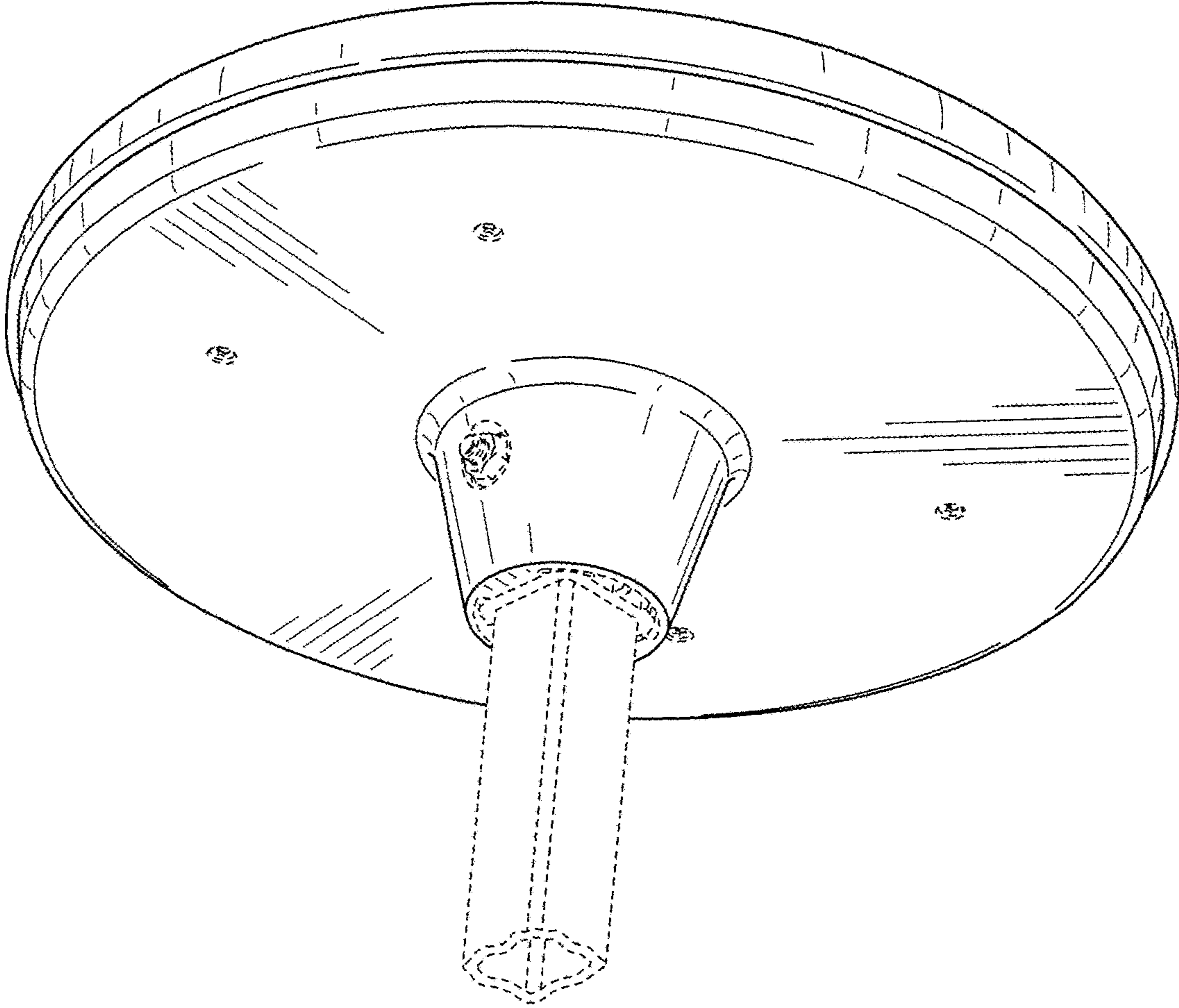


FIG. 8

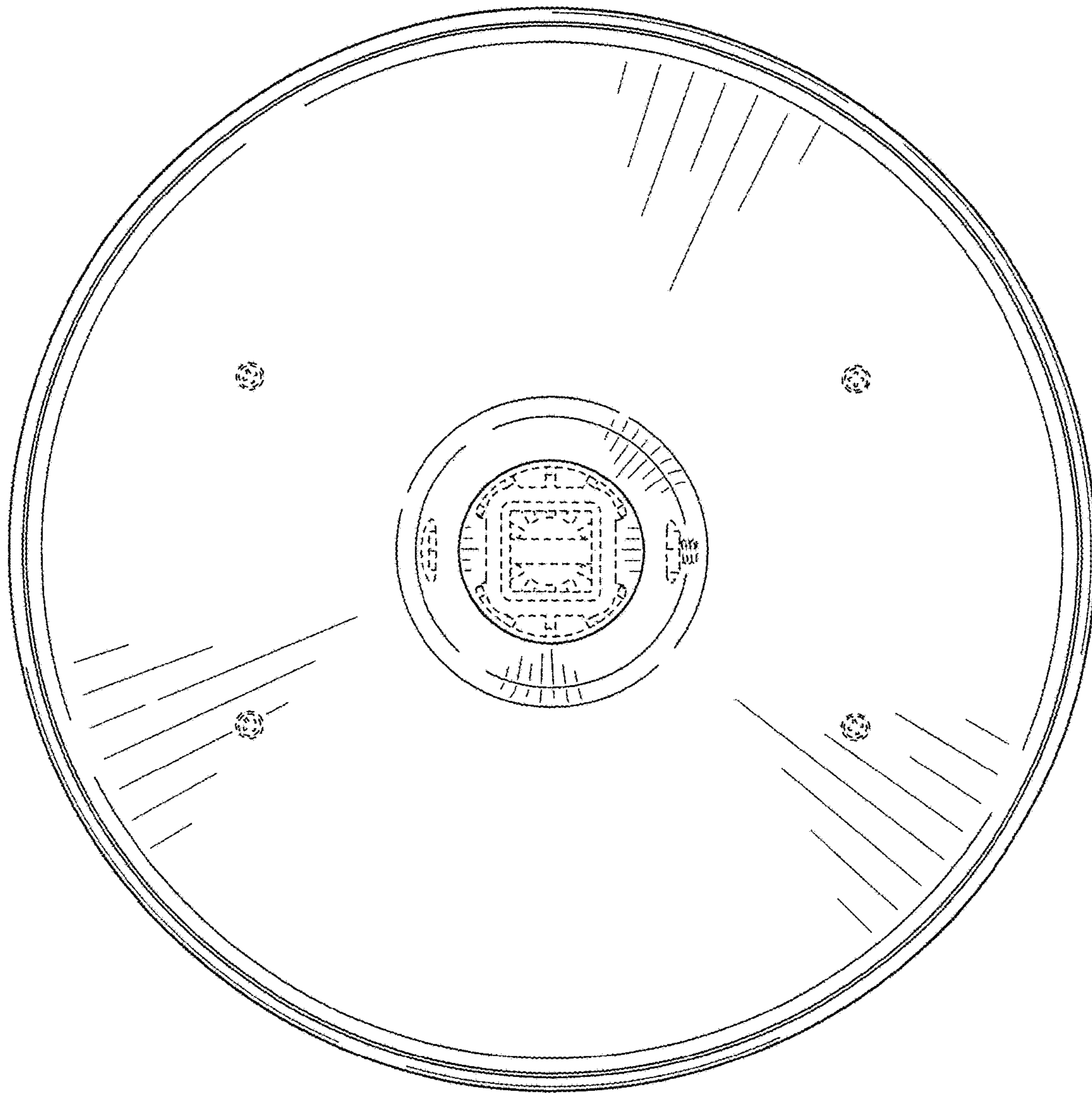


FIG. 9

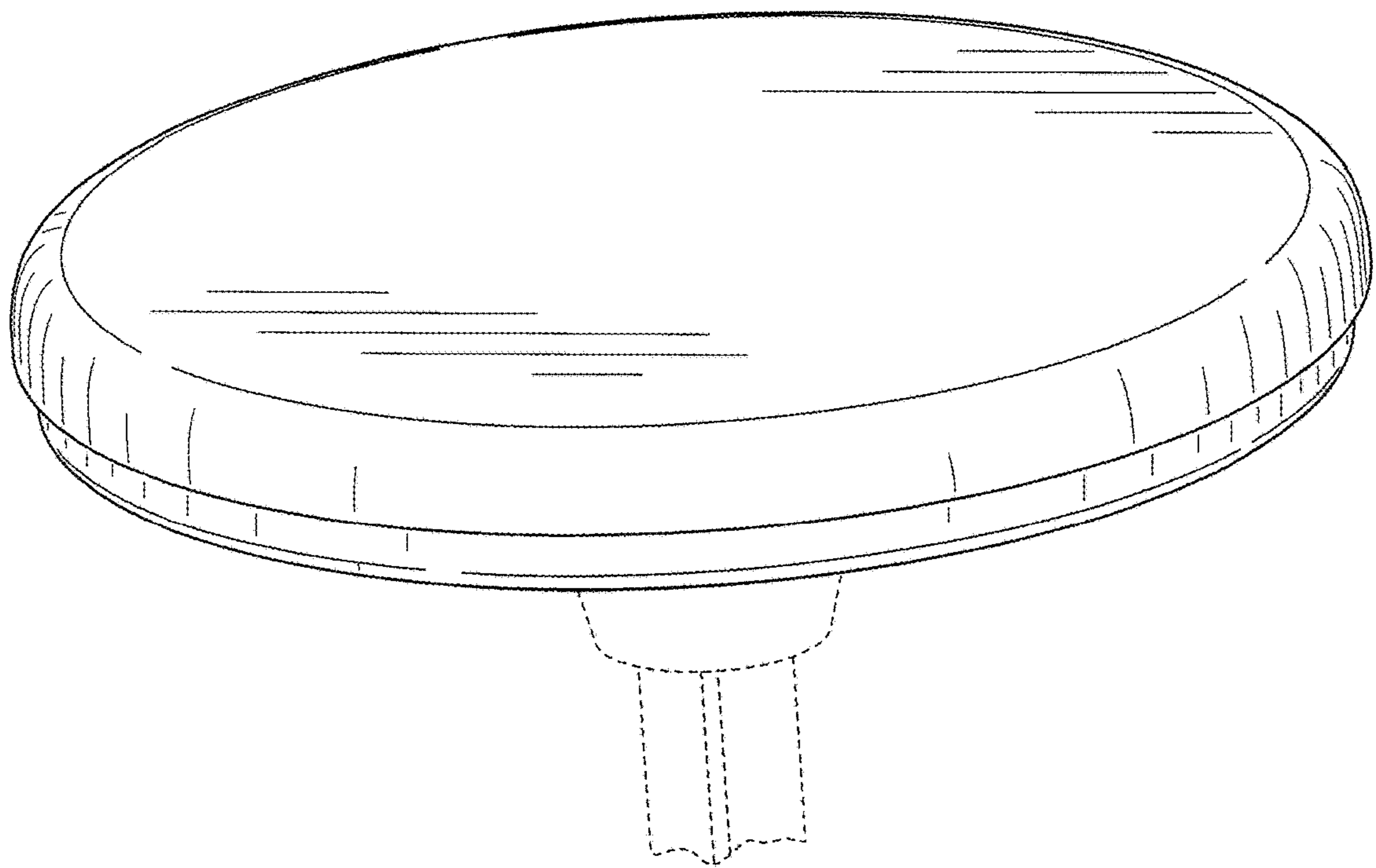


FIG. 10

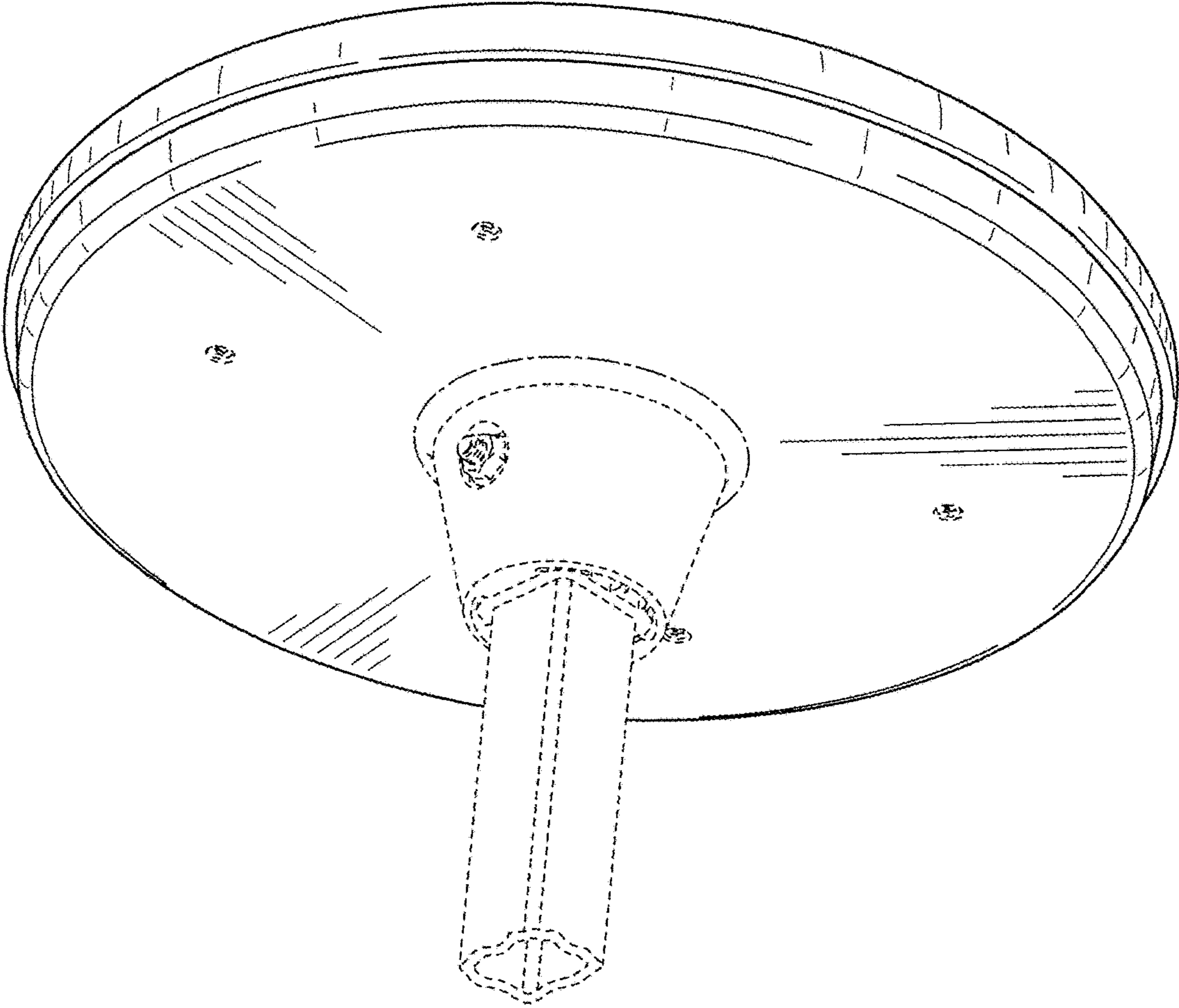


FIG. 11

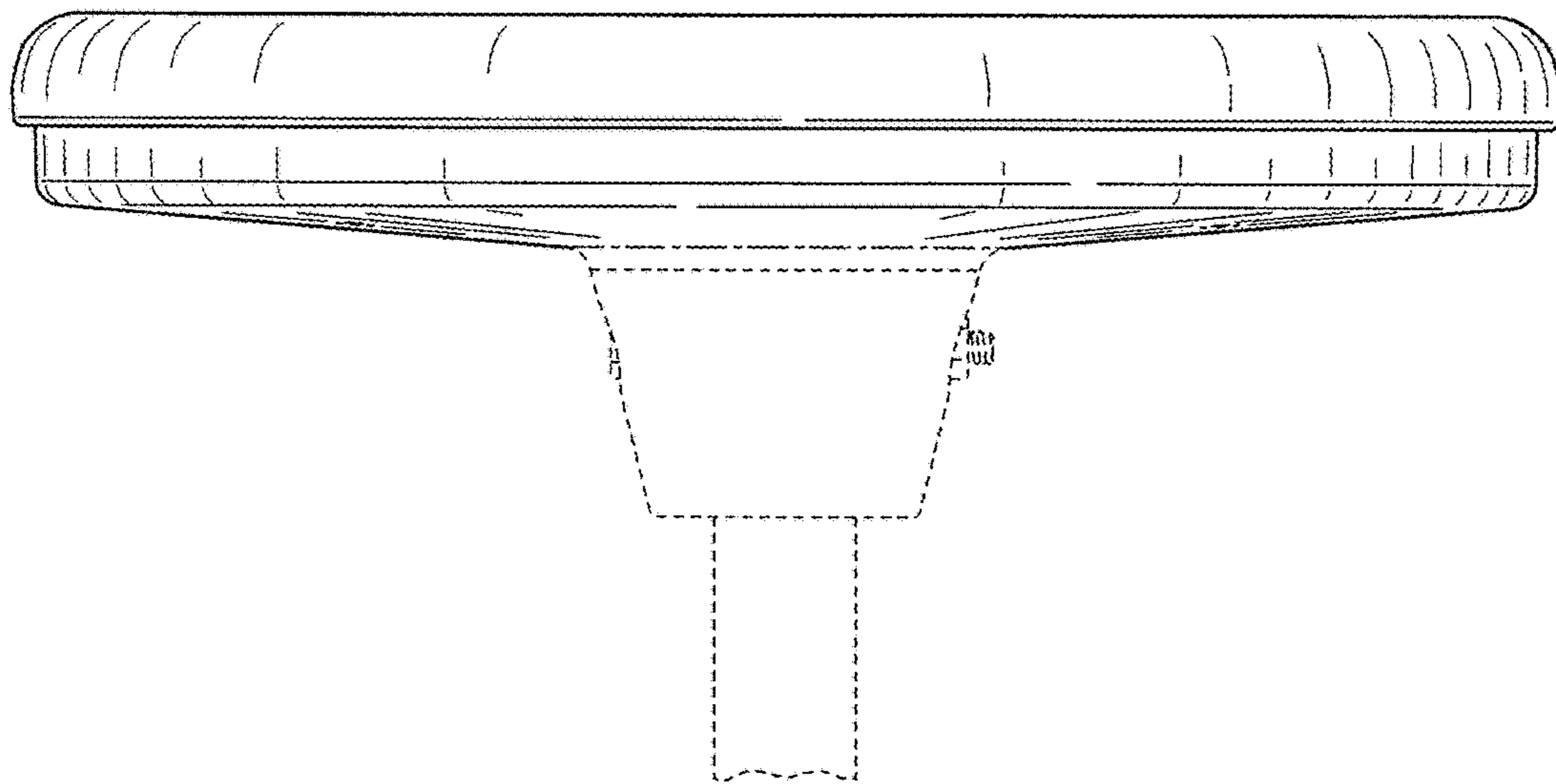


FIG. 12

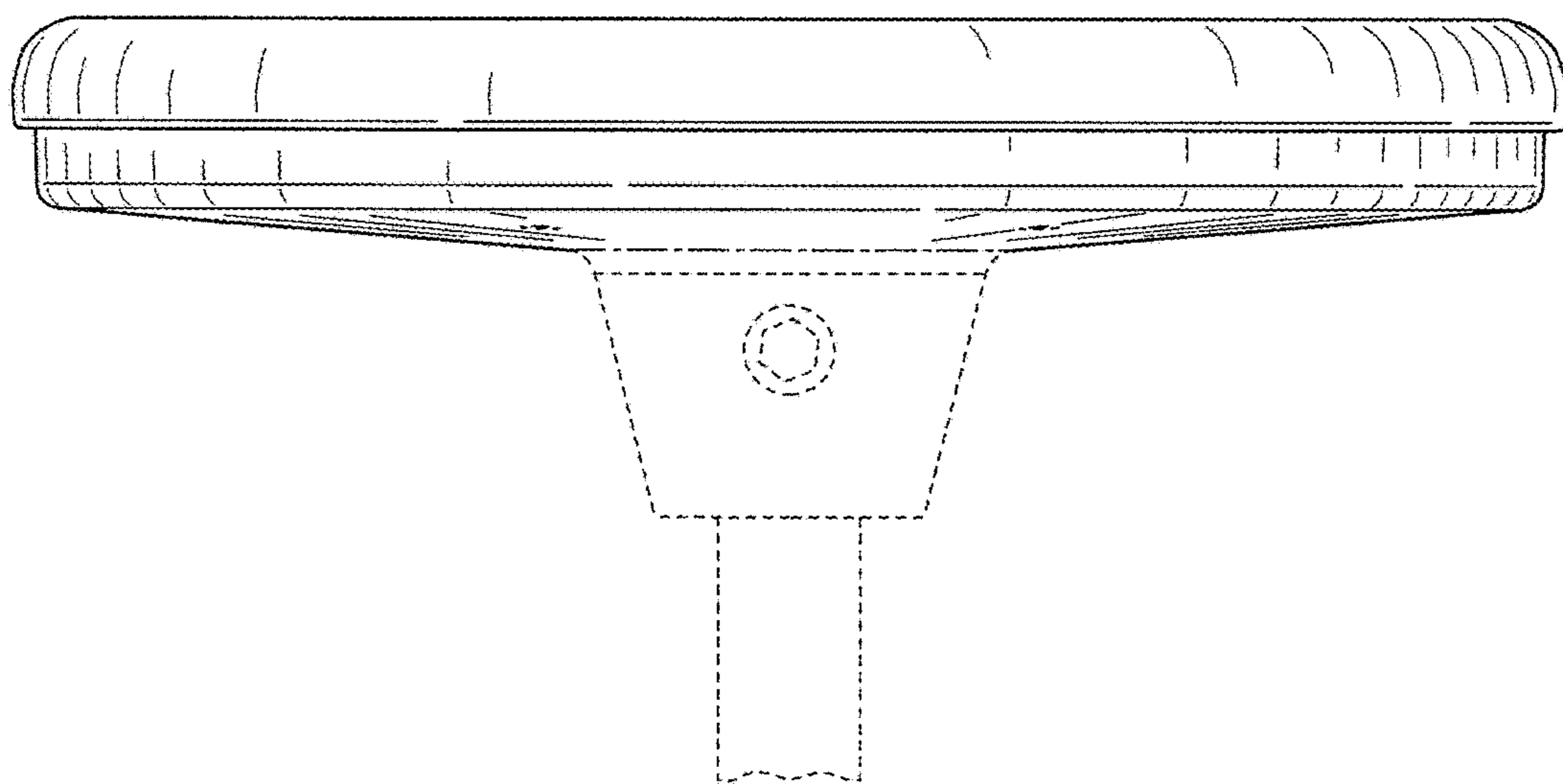


FIG. 13

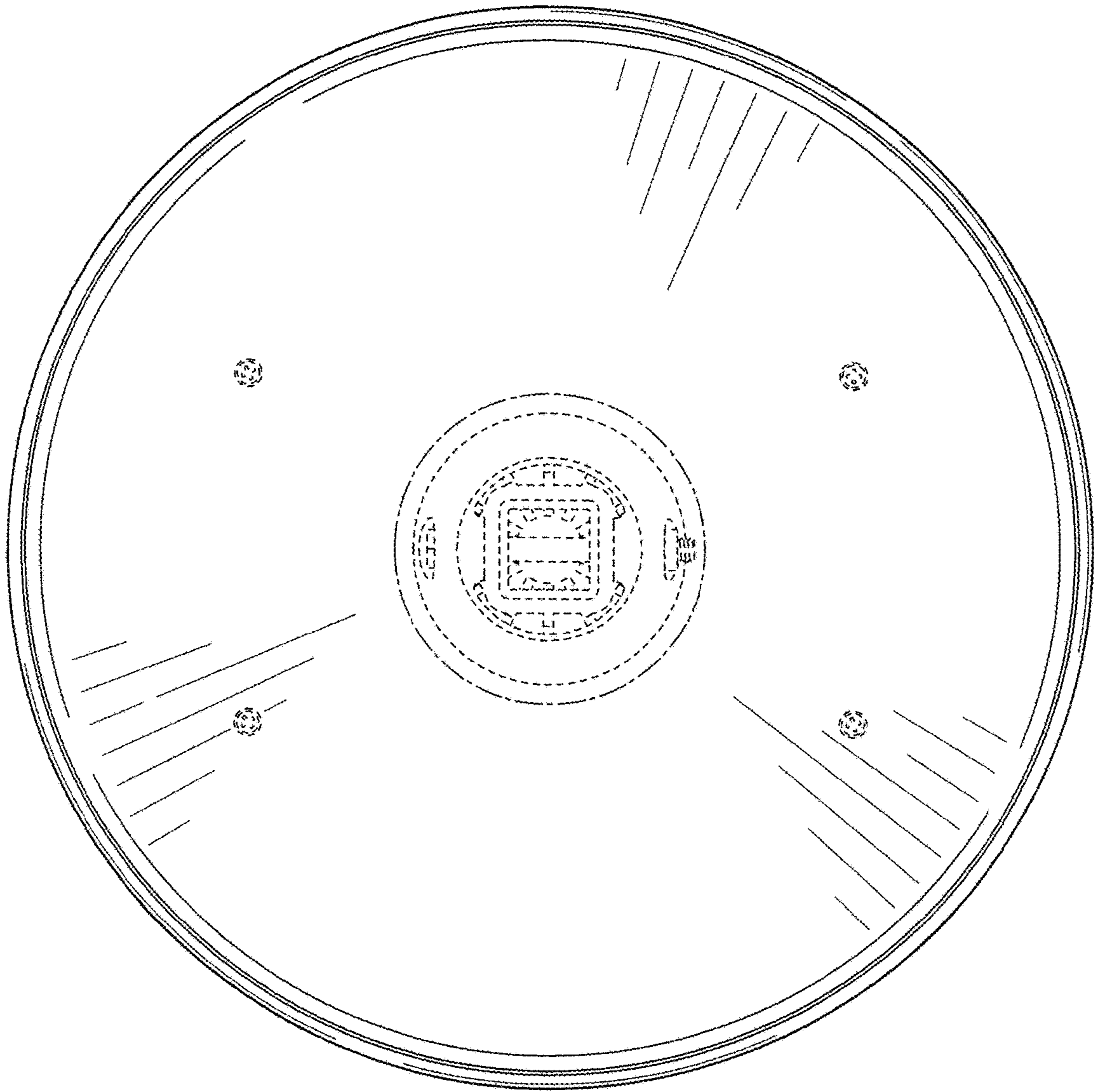


FIG. 14