

US00D856726S

(12) **United States Design Patent** (10) **Patent No.:** **US D856,726 S**
Mak (45) **Date of Patent:** **** Aug. 20, 2019**

(54) **DESK CANOPY** D587,819 S * 3/2009 Ryan D25/119
D692,497 S * 10/2013 Valls A47F 3/0439
(71) Applicant: **Thinking Ergonomix Pty Limited,** 2009/0229293 A1* 9/2009 Kim A47F 3/0439
Moorebank NSW (AU) D20/43
62/264

(72) Inventor: **Lowell Mak,** Moorebank (AU)

(73) Assignee: **Thinking Ergonomix Pty Ltd.,**
Moorebank NSW (AU)

(**) Term: **15 Years**

(21) Appl. No.: **29/619,743**

(22) Filed: **Oct. 2, 2017**

(51) **LOC (12) Cl.** **06-06**

(52) **U.S. Cl.**
USPC **D6/714**

(58) **Field of Classification Search**
USPC D6/332, 641–643, 643.1, 644, 656,
D6/656.13–656.16, 699.5, 702, 714
CPC A47B 13/08; A47B 19/00; A47B 21/00;
A47B 2200/0066; A47B 2200/0084;
A47B 2200/0012; A47B 17/0033; A47F
3/0439

See application file for complete search history.

(56) **References Cited**

U.S. PATENT DOCUMENTS

D206,198 S * 11/1966 Molitor D6/699.5
D273,547 S * 4/1984 Taub D6/699.5
D364,764 S * 12/1995 Campbell D6/699.5
D377,723 S * 2/1997 Schacht D6/713
6,267,338 B1 * 7/2001 Saylor A47B 17/033
108/44
D453,794 S * 2/2002 Saylor D19/75
D575,560 S * 8/2008 English A47B 17/033
D6/699.5

OTHER PUBLICATIONS

Steelcase Canopy Workstation; known at least as early as Sep. 6, 2017, 1 pg.
Canopy Freedom Interiors Office Furniture, Kansas City, known at least as early as Sep. 6, 2017, 1 pg.
Architecten Landrell—BT Castle Wharf, known at least as early as Sep. 6, 2017, 1 pg.
Felt Briefcases, known at least as early as Sep. 6, 2017, 1 pg.
Buzzispace Buzzdonut, known at least as early as Sep. 6, 2017, 1 pg.
Buzzispace BuzziShade Pendant Lighting, known at least as early as Sep. 6, 2017, 1 pg.
Herman Miller Arras Screen, known at least as early as Sep. 6, 2017, 1 pg.

(Continued)

Primary Examiner — Mary Ann Calabrese
(74) *Attorney, Agent, or Firm* — Womble Bond Dickinson (US) LLP

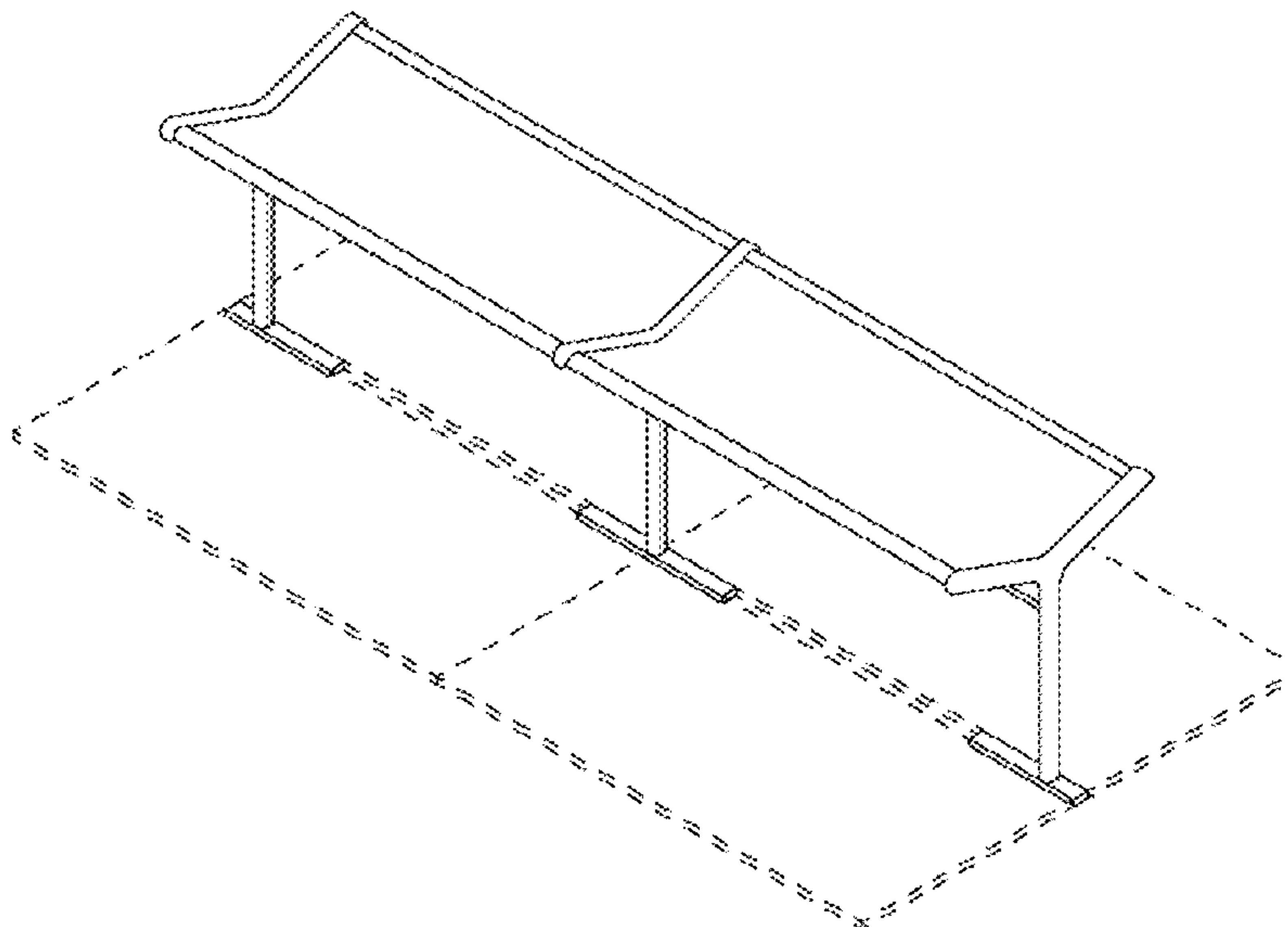
(57) **CLAIM**

I claim the ornamental design for a desk canopy, as shown and described.

DESCRIPTION

FIG. 1 is a top perspective view of my design;
FIG. 2 is a bottom perspective view thereof;
FIG. 3 is a top view thereof;
FIG. 4 is a bottom view thereof;
FIG. 5 is front view thereof, the rear view being a mirror image; and,
FIG. 6 is a left side view thereof, the right side view being a mirror image.
The dash-dash lines in the figures represent an environmental work surface that forms no part of the claimed design.

1 Claim, 4 Drawing Sheets



(56)

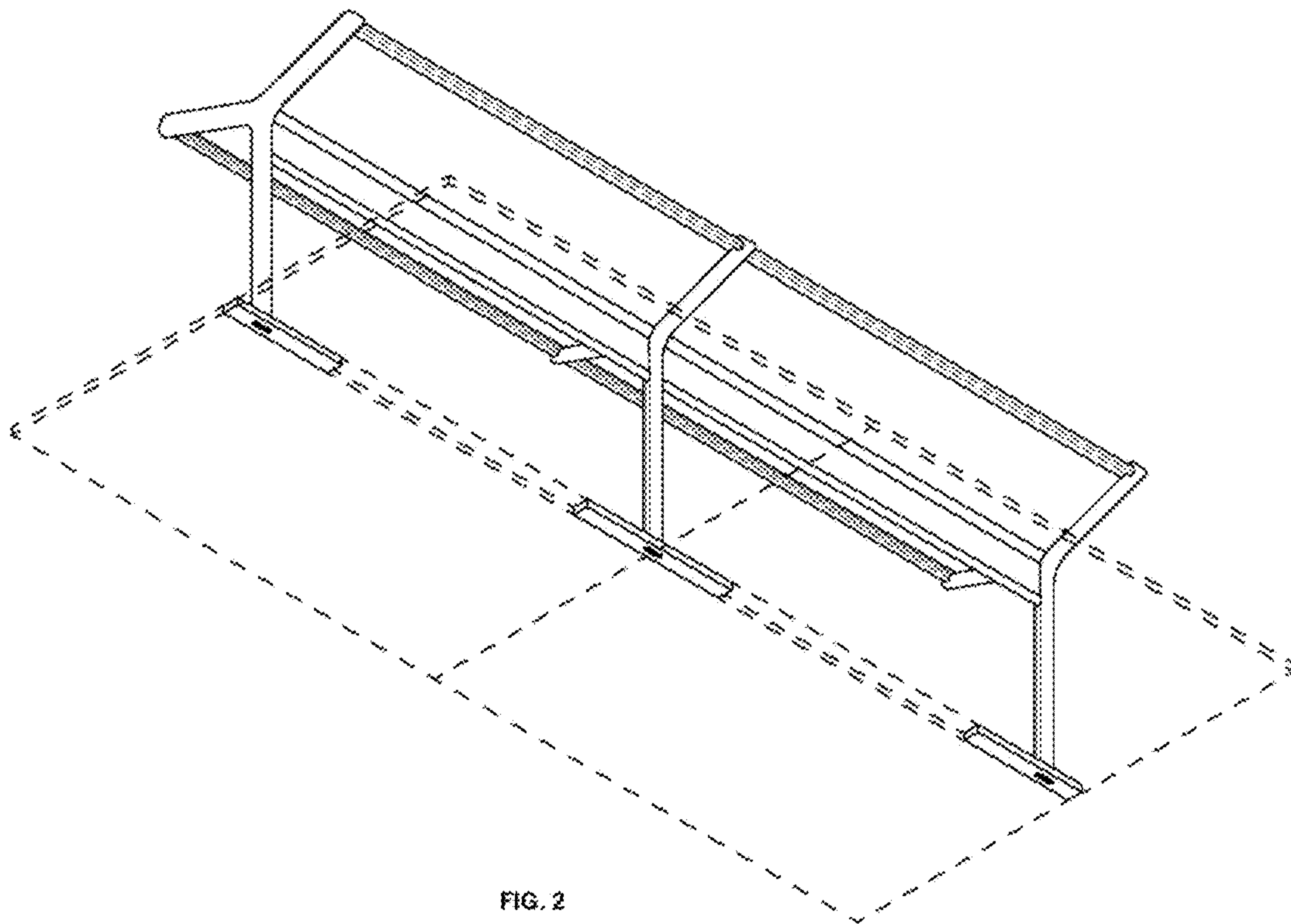
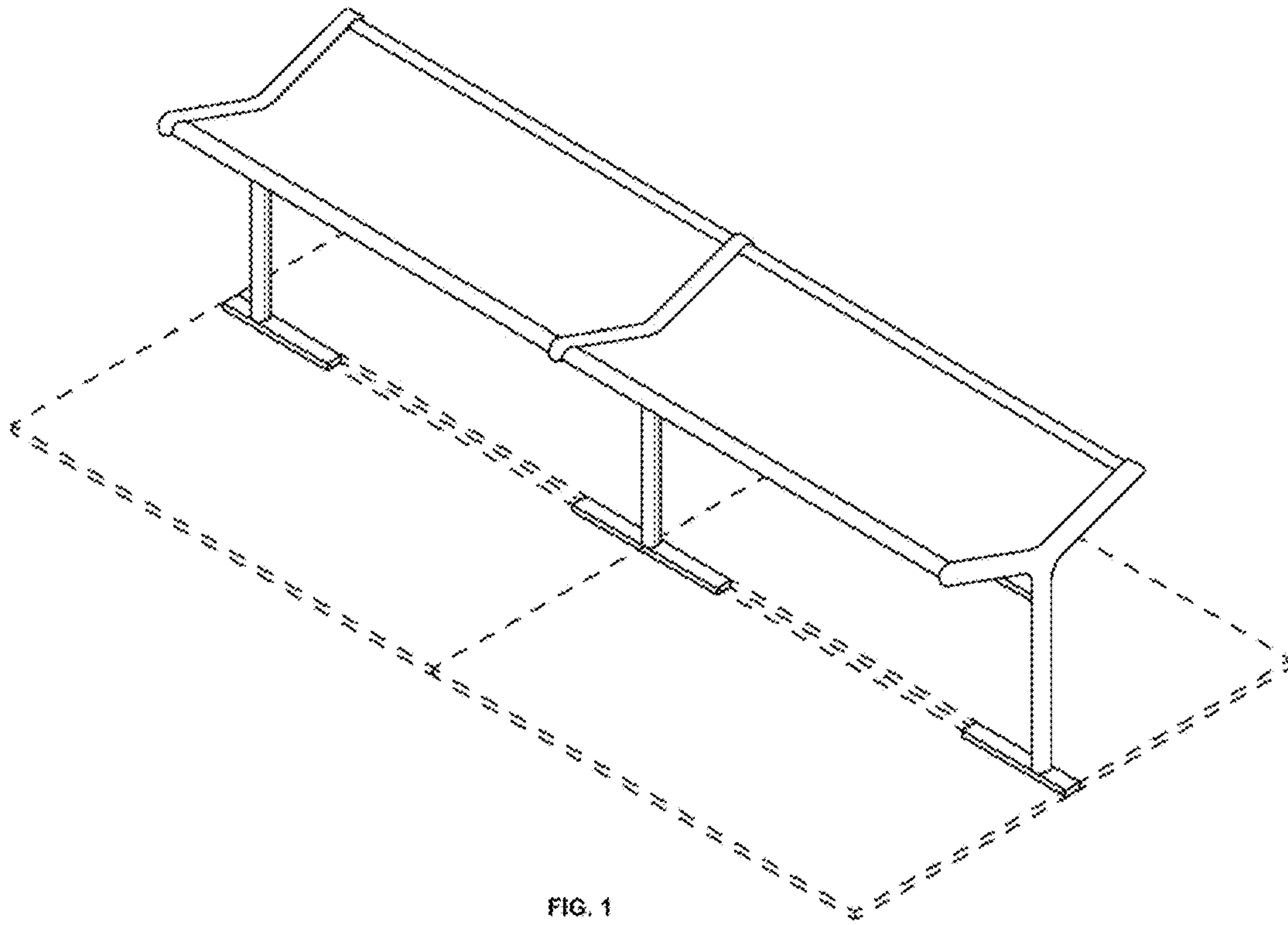
References Cited

OTHER PUBLICATIONS

Steelcase Tour Screen, known at least as early as Sep. 6, 2017, 1 pg.

Vitra Ad Hoc Screen, known at least as early as Sep. 6, 2017, 1 pg.

* cited by examiner



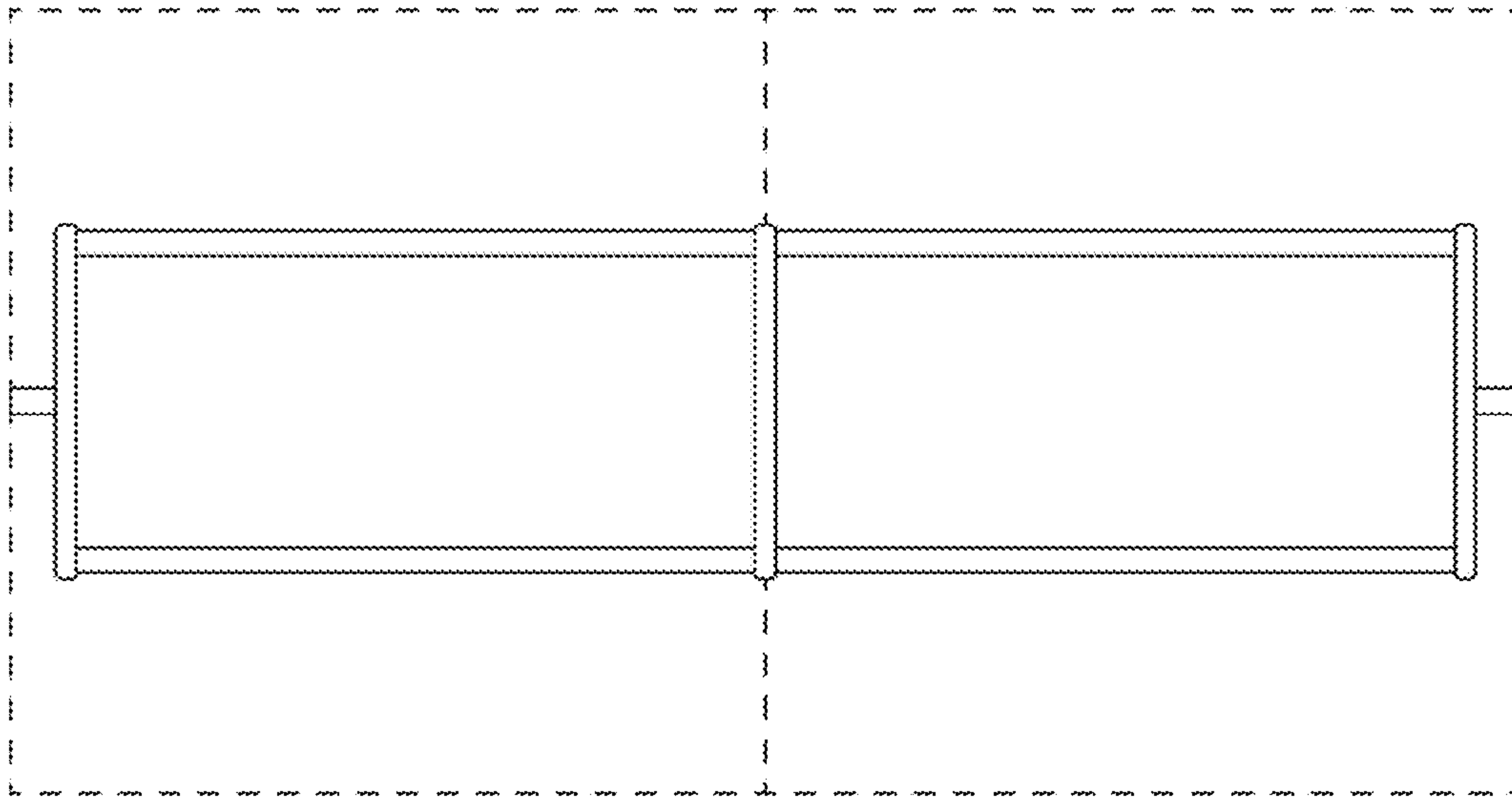


FIG. 3

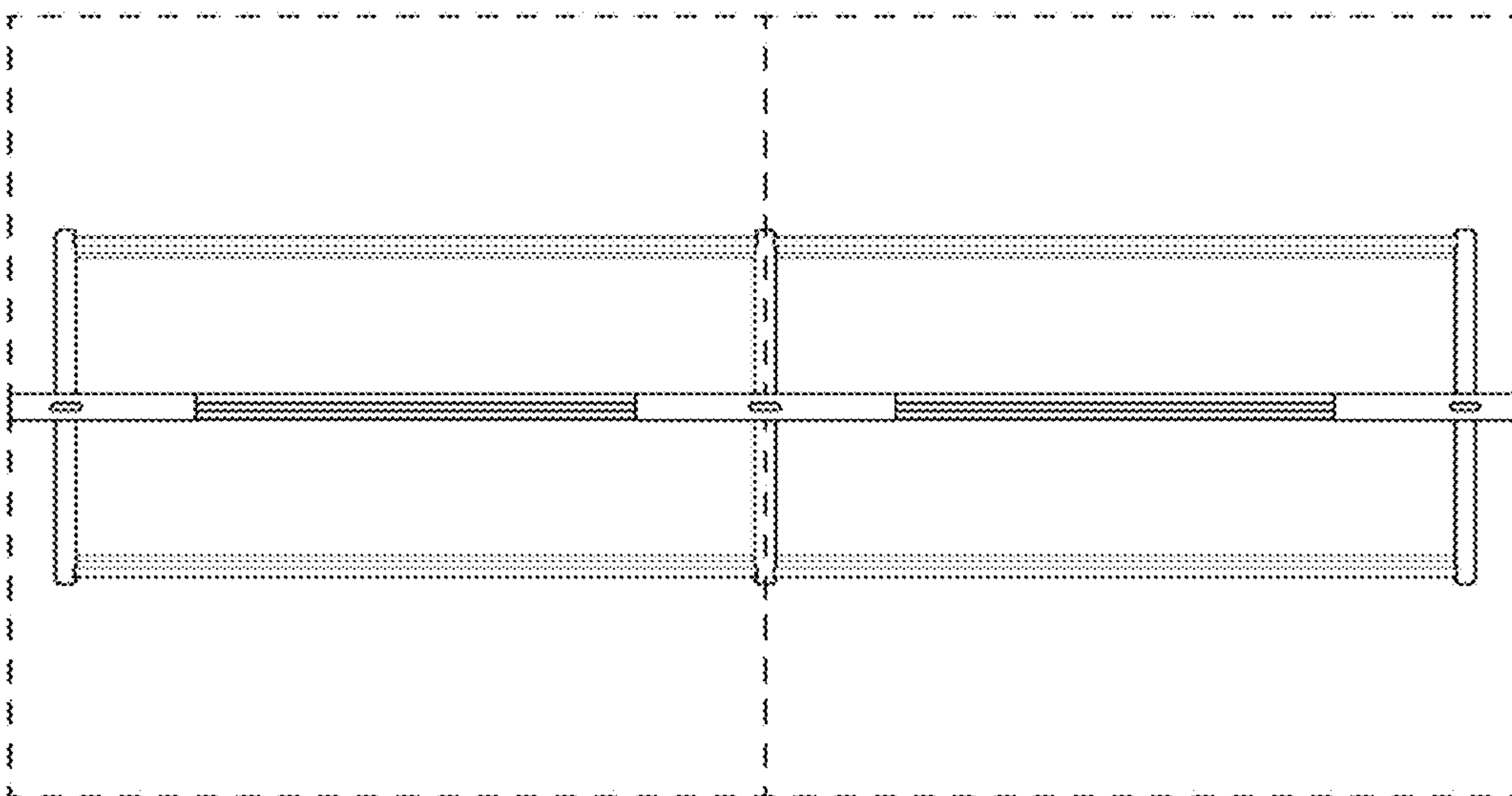


FIG. 4

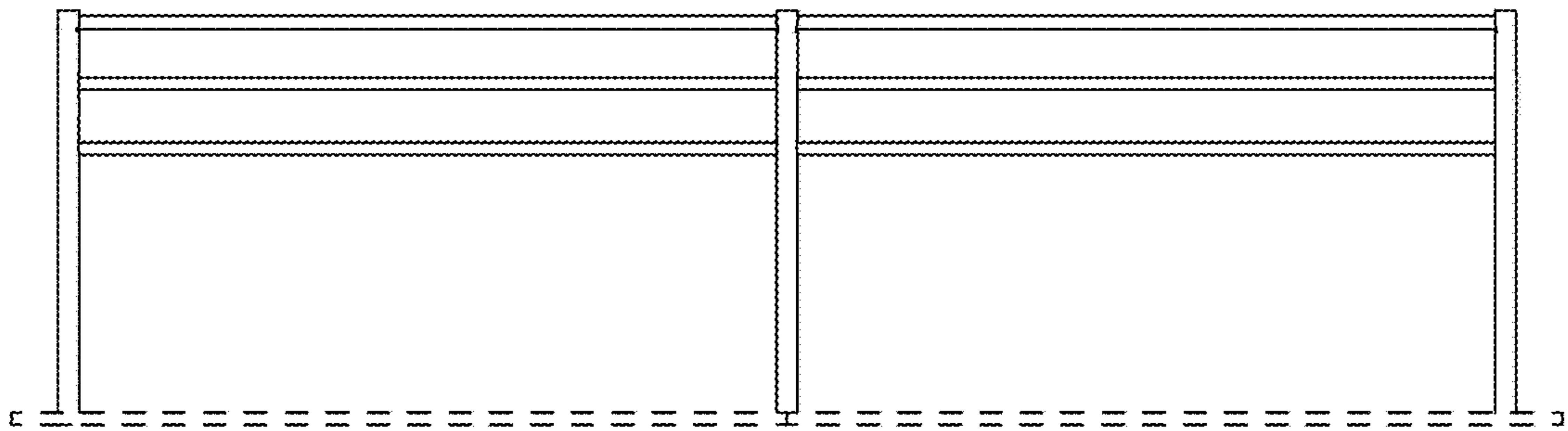


FIG. 5

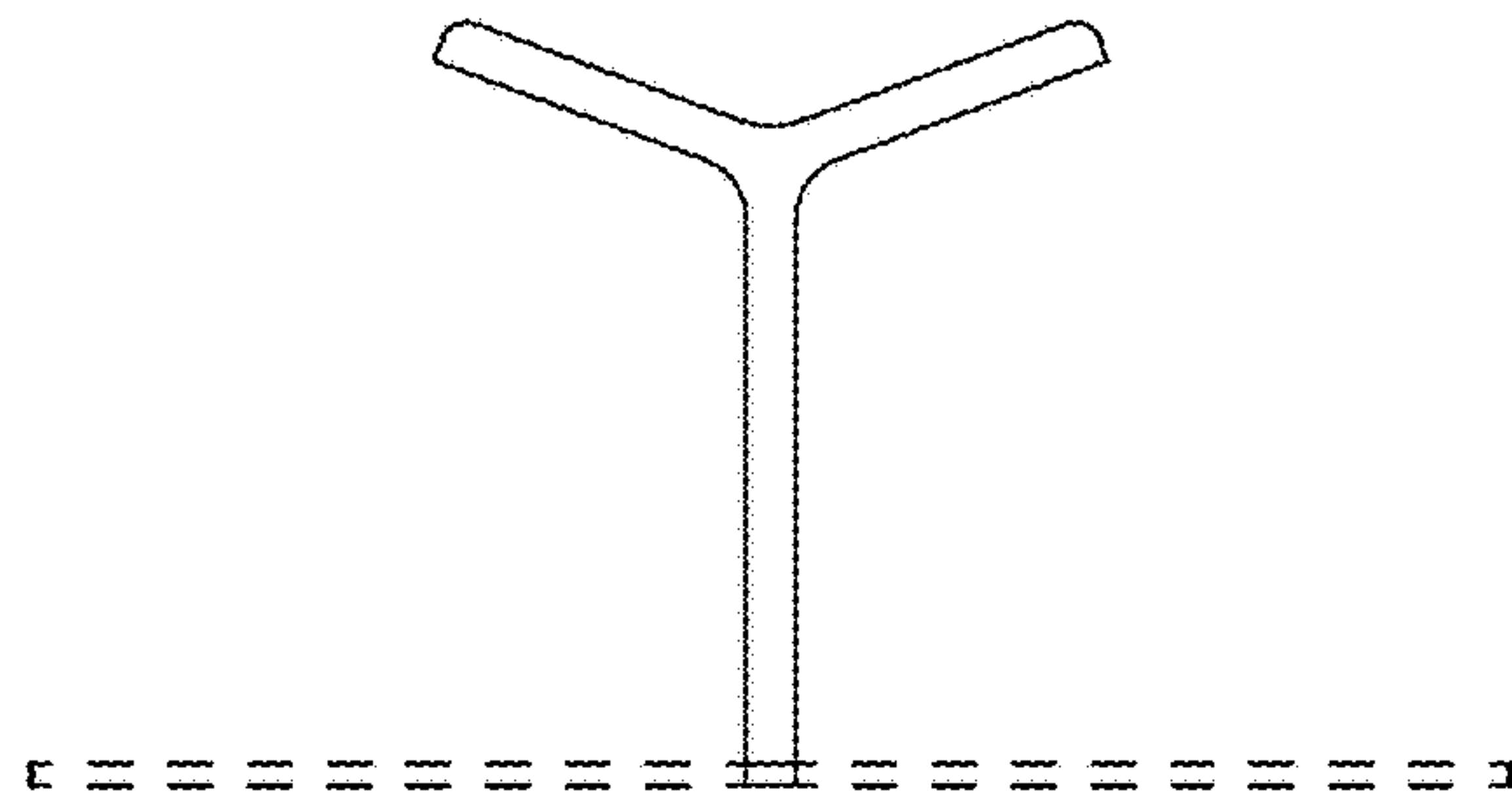


FIG. 6