



US00D856725S

(12) **United States Design Patent**  
**Maughan**

(10) **Patent No.:** **US D856,725 S**

(45) **Date of Patent:** **\*\* Aug. 20, 2019**

(54) **FOLDING LEG FRAME FOR TABLE**

(71) Applicant: **Mity-Lite, Inc.**, Orem, UT (US)

(72) Inventor: **Sterling Maughan**, Lehi, UT (US)

(73) Assignee: **Mity-Lite, Inc.**, Orem, UT (US)

(\*\*) Term: **15 Years**

(21) Appl. No.: **29/625,027**

(22) Filed: **Nov. 6, 2017**

(51) **LOC (12) Cl.** ..... **06-06**

(52) **U.S. Cl.**  
USPC ..... **D6/708**

(58) **Field of Classification Search**

USPC ... D6/685, 686, 691, 692, 702, 708, 708.16,  
D6/709, 711, 712

CPC .. A47B 3/00; A47B 3/002; A47B 3/02; A47B  
2003/006; A47B 7/00; A47B 7/02; A47B  
9/00; A47B 13/00; A47B 13/003; A47B  
13/02; A47B 13/04; A47B 13/06; A47B  
13/08; A47B 13/12; A47B 21/00; A47B  
91/00; A47B 91/005; A47B 97/00; A47B  
97/08; A47B 2200/0001; A47B  
2200/0011; A47B 2200/002; A47B  
2200/0035

See application file for complete search history.

(56) **References Cited**

**U.S. PATENT DOCUMENTS**

1,652,942	A *	12/1927	James	.....	A47B 3/12 108/159
2,010,342	A *	8/1935	Woods	.....	A47B 3/12 108/157.18
2,044,588	A	6/1936	Moore		
2,190,623	A *	2/1940	Benson	.....	D06F 1/00 248/150
2,540,254	A *	2/1951	Garber	.....	A47B 3/12 108/158

(Continued)

**OTHER PUBLICATIONS**

Cross Cube—Buffet tables—Knock-down system—IHS Global Alliance—web archive May 31, 2016 <https://web.archive.org/web/20160531144538/http://ihsglobalalliance.com/em/cross-cube> retrieved from the internet on Mar. 26, 2019.\*

*Primary Examiner* — Mary Ann Calabrese

(74) *Attorney, Agent, or Firm* — Thorpe, North & Western, LLP

(57) **CLAIM**

The ornamental design for the folding leg frame for table, as shown herein.

**DESCRIPTION**

FIG. 1 is a top perspective view of the folding leg frame for table showing a first embodiment in accordance with my invention in an open configuration;

FIG. 2 is a front elevation view thereof, a rear elevation view being a mirror image thereof;

FIG. 3 is a side elevation view thereof, an opposite side elevation view being a mirror image thereof;

FIG. 4 is a top plan view thereof;

FIG. 5 is a bottom plan view thereof; and

FIG. 6 is an elevated, perspective view thereof in a folded configuration.

FIG. 7 is a top perspective view of the folding leg frame for table showing a second embodiment in accordance with my invention in an open configuration;

FIG. 8 is a front elevation view thereof, a rear elevation view being a mirror image thereof;

FIG. 9 is a side elevation view thereof, an opposite side elevation view being a mirror image thereof;

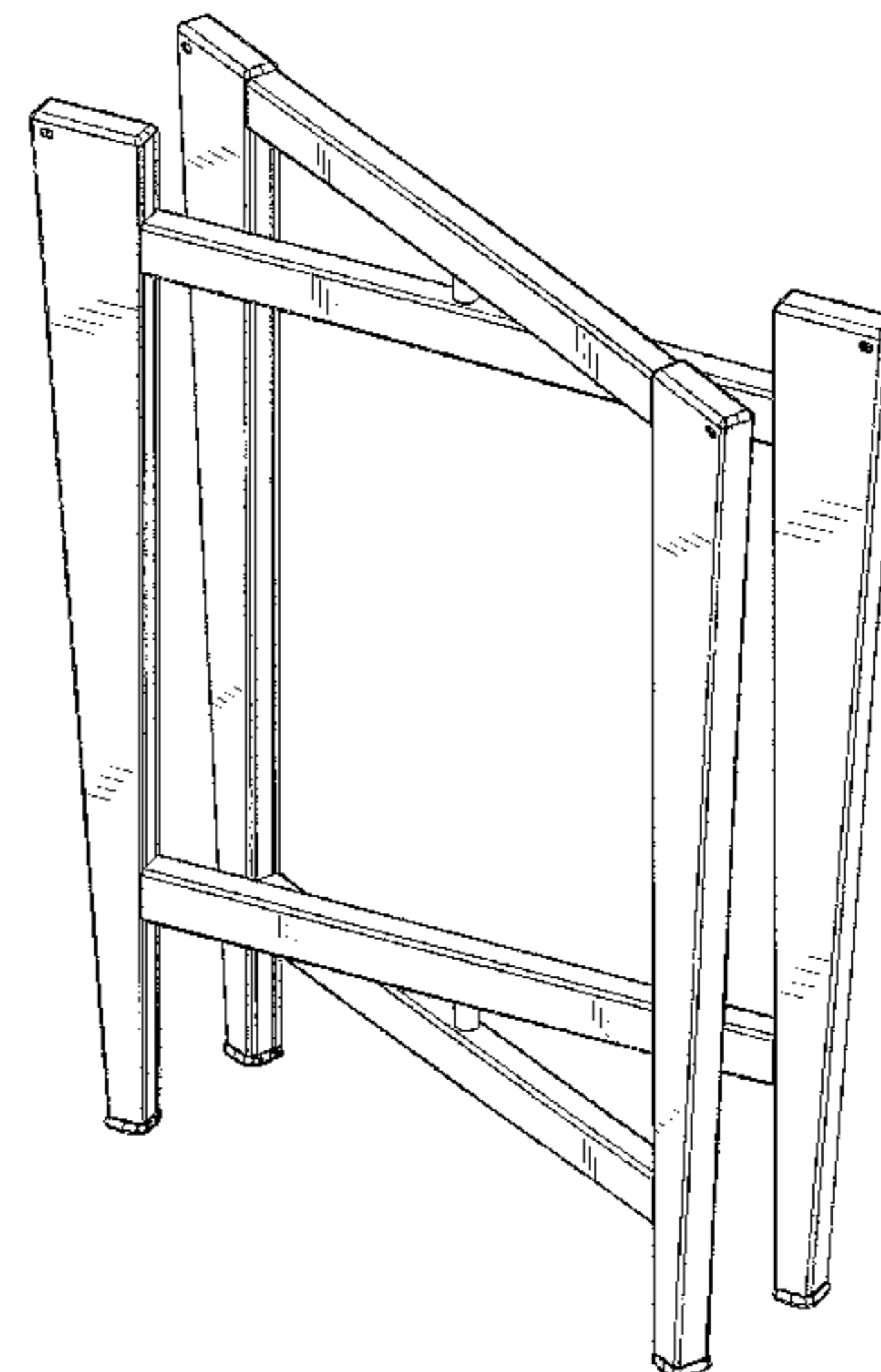
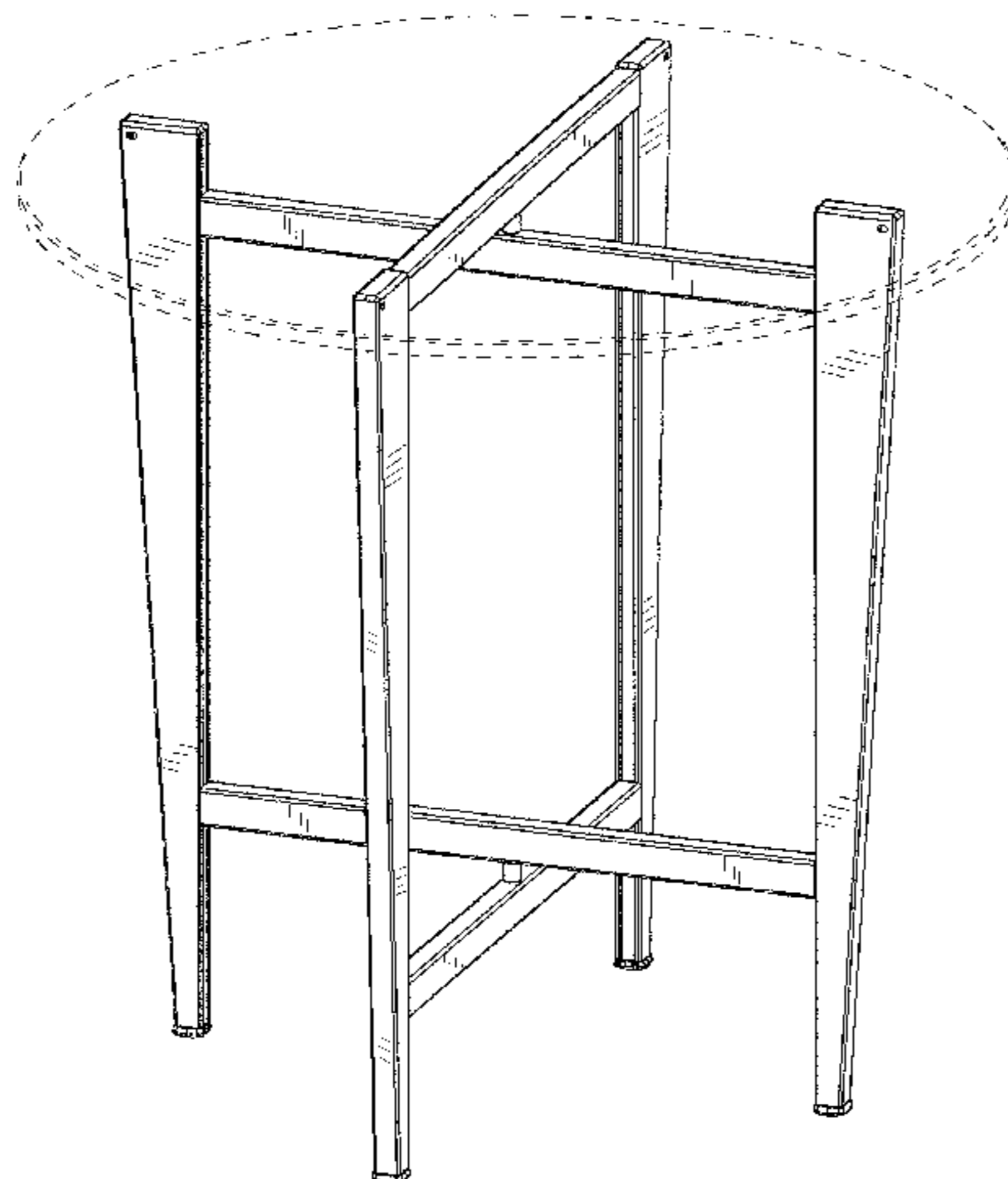
FIG. 10 is a top plan view thereof;

FIG. 11 is a bottom plan view thereof; and,

FIG. 12 is an elevated, perspective view thereof in a folded configuration.

The broken lines represent environment and form no part of the claimed design.

**1 Claim, 10 Drawing Sheets**



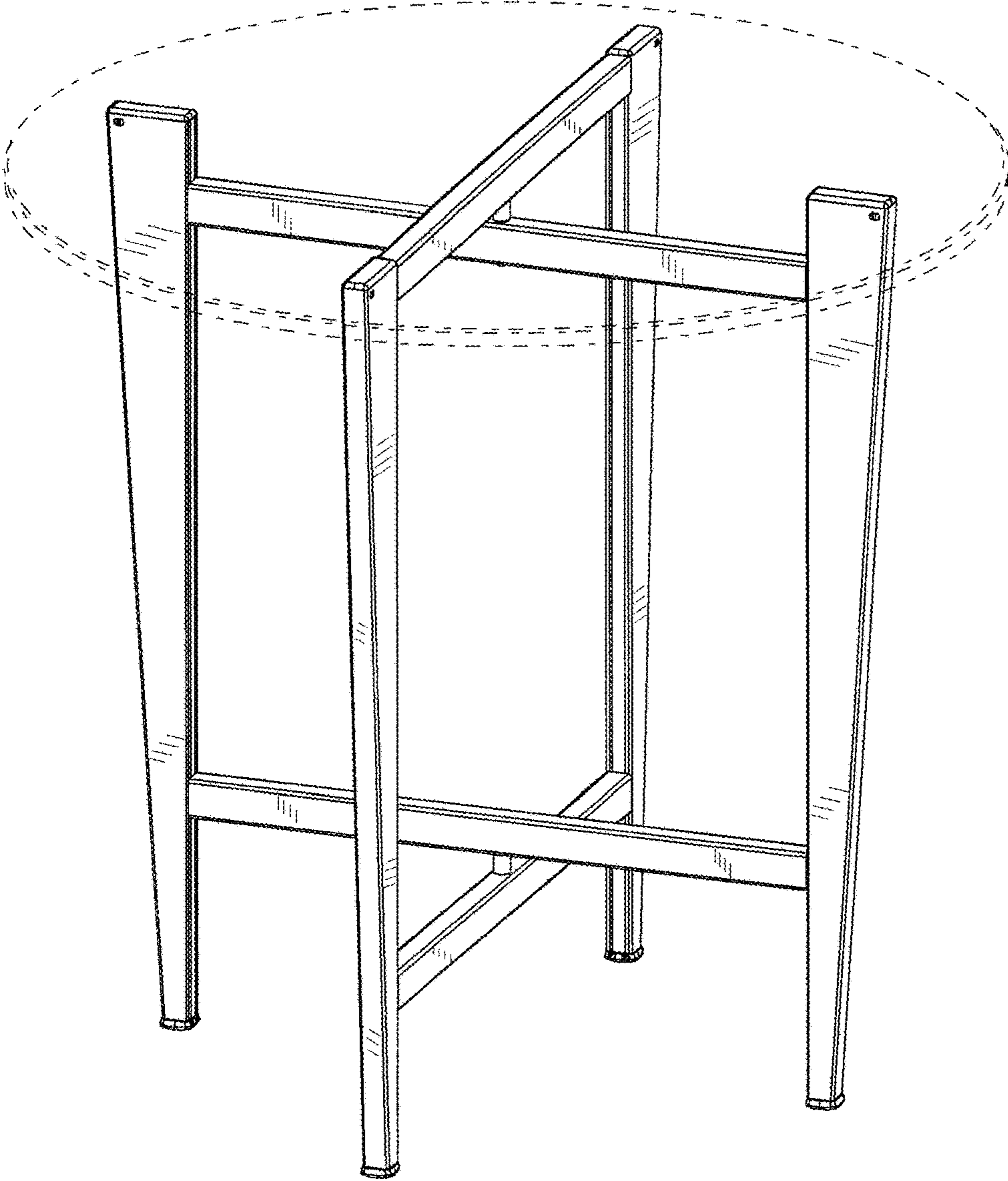
(56)

**References Cited**

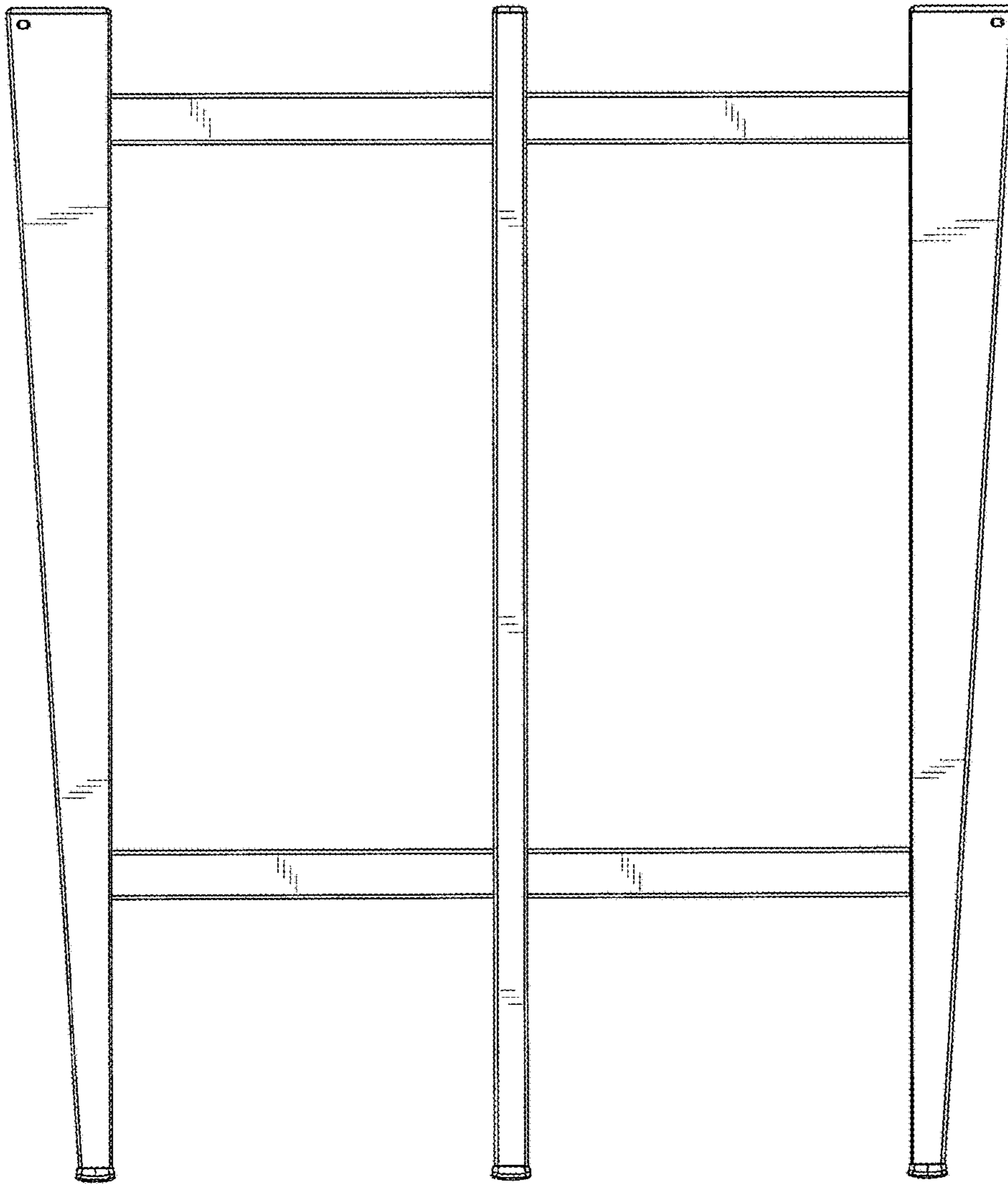
U.S. PATENT DOCUMENTS

6,318,276 B1 11/2001 Reinecke  
D452,784 S \* 1/2002 Lewis ..... D6/708  
D652,656 S \* 1/2012 McCurry ..... D6/708  
D693,613 S \* 11/2013 Polidoros ..... A47B 3/12  
D6/708  
8,584,602 B2 11/2013 Isgro  
D703,473 S \* 4/2014 Polidoros ..... A47B 3/12  
D6/708  
8,789,477 B2 \* 7/2014 Jimenez Mangas ... A47B 13/02  
108/115  
8,925,468 B2 1/2015 Polidoros  
D743,723 S \* 11/2015 Sweetland ..... A47B 3/12  
D6/708  
D799,871 S \* 10/2017 Sweetland ..... D06F 1/00  
D6/708  
2018/0235359 A1 \* 8/2018 Reinhart ..... A47B 3/12

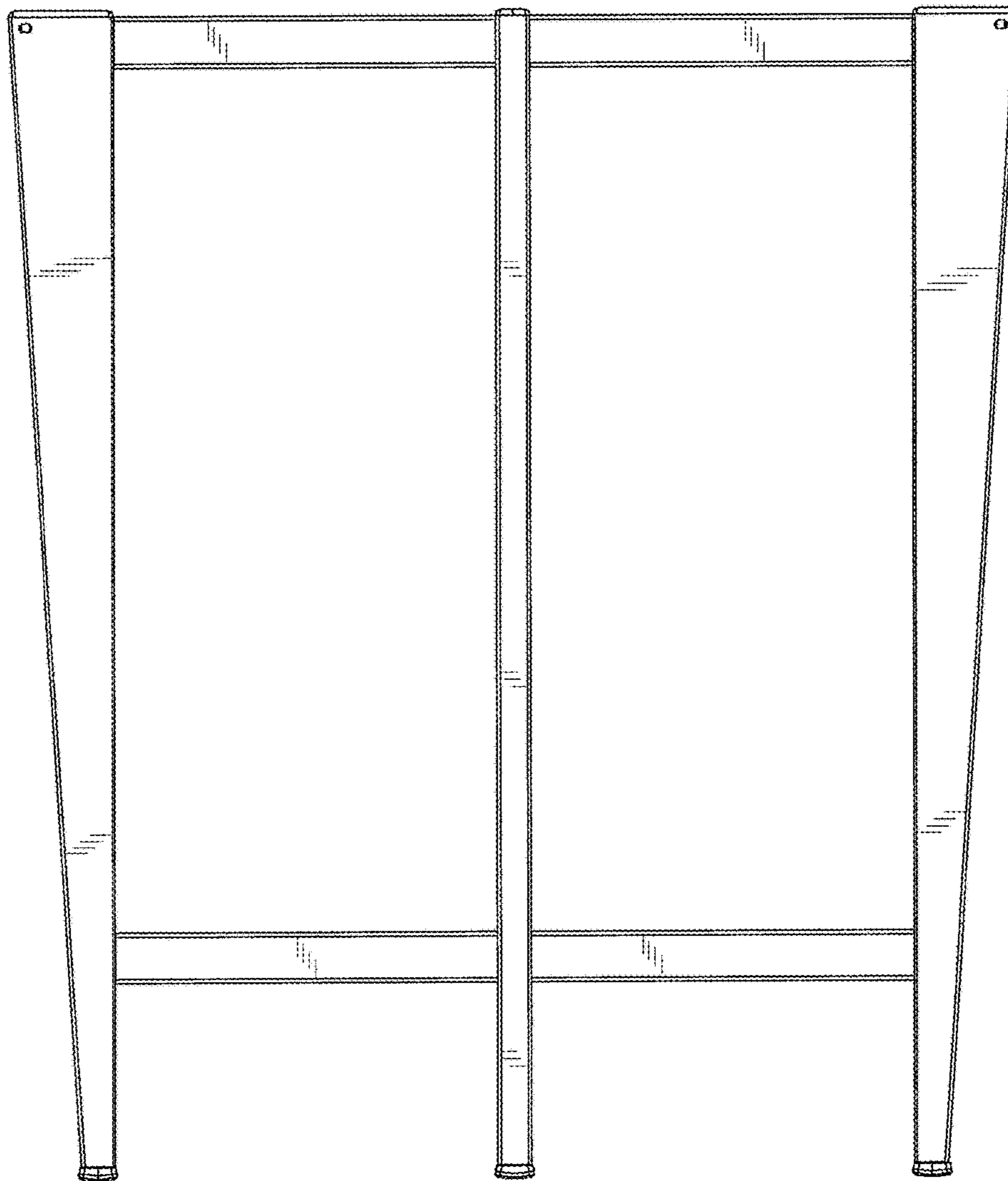
\* cited by examiner



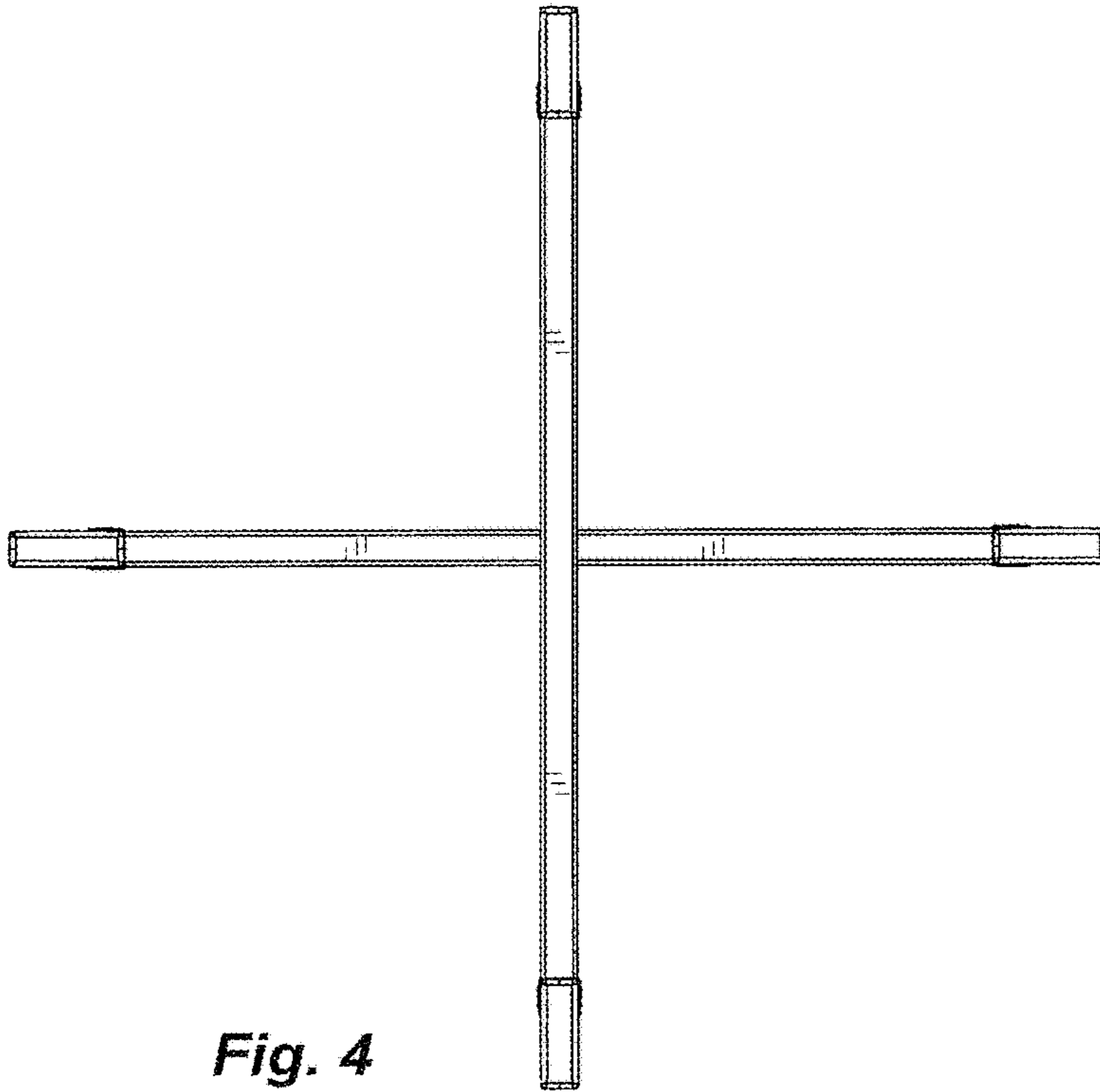
**Fig. 1**



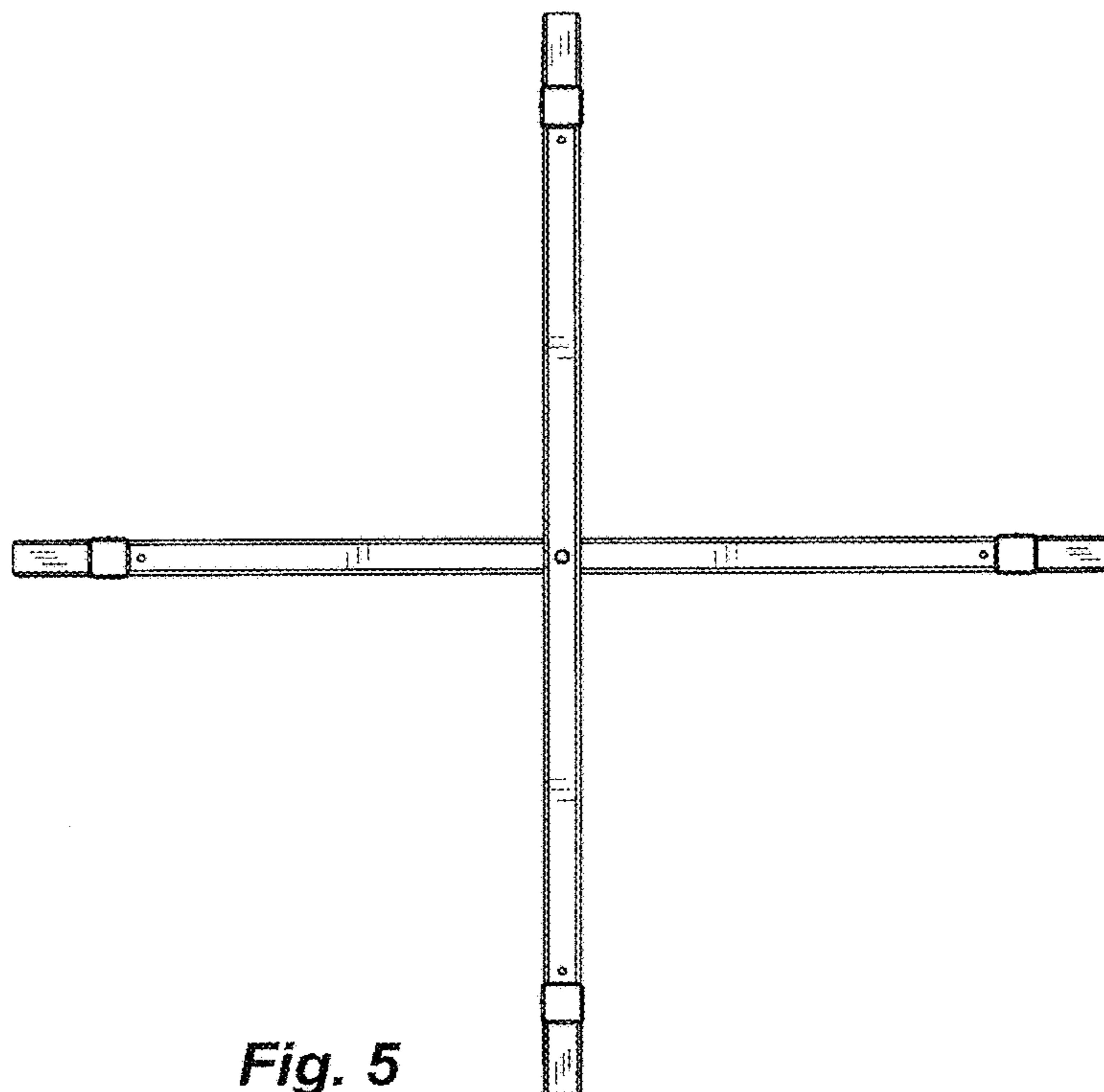
*Fig. 2*



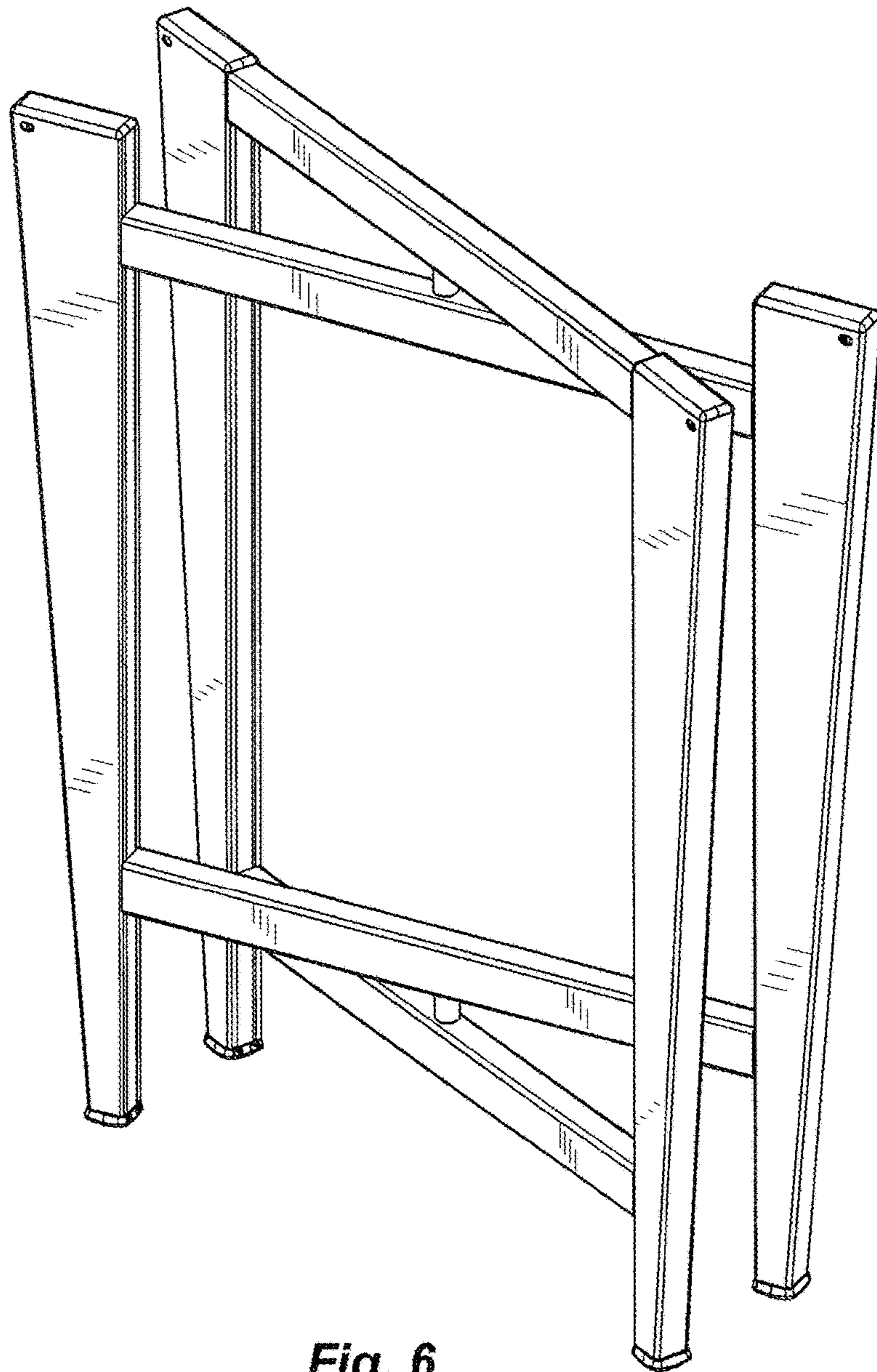
**Fig. 3**



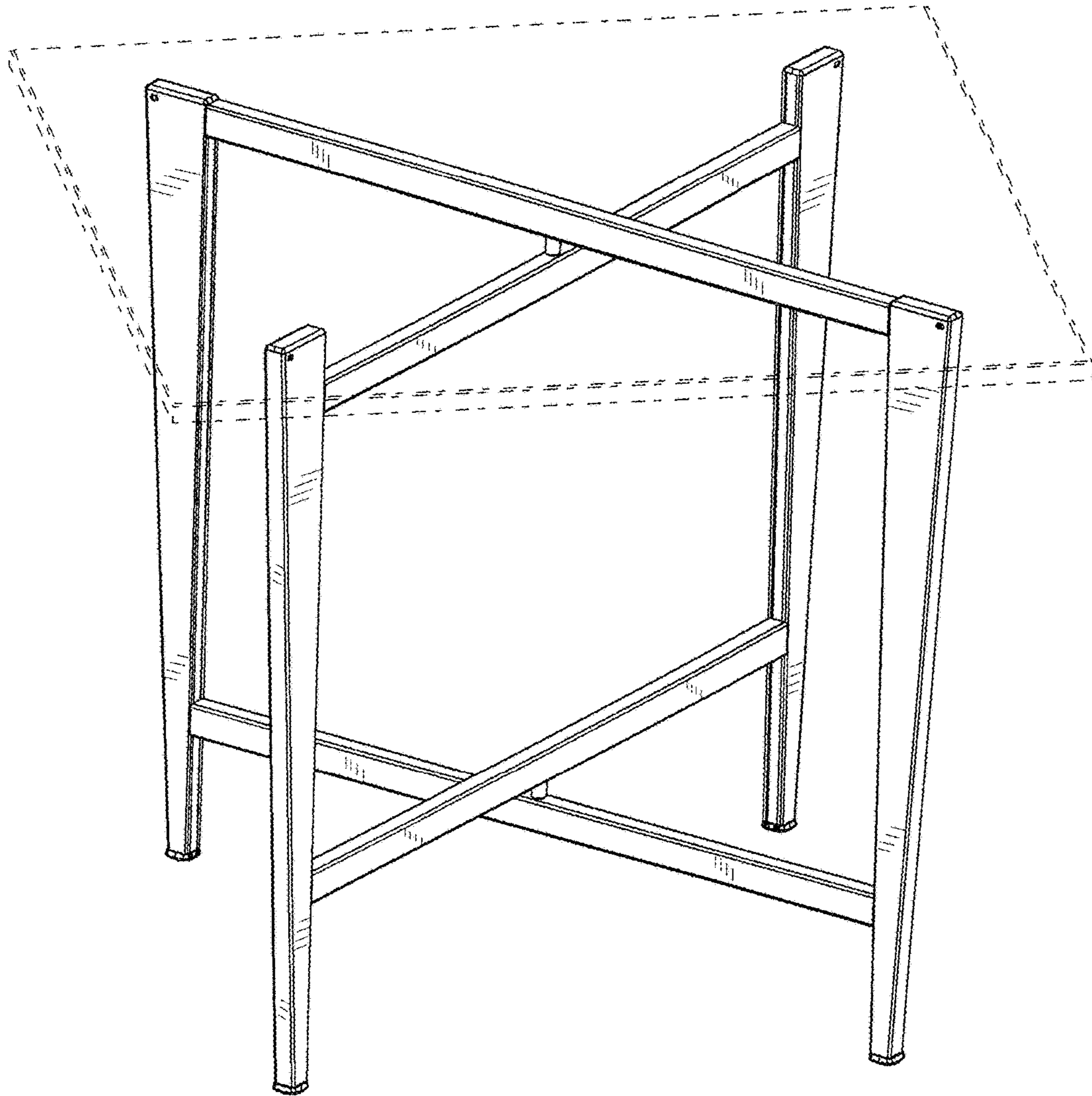
**Fig. 4**



**Fig. 5**

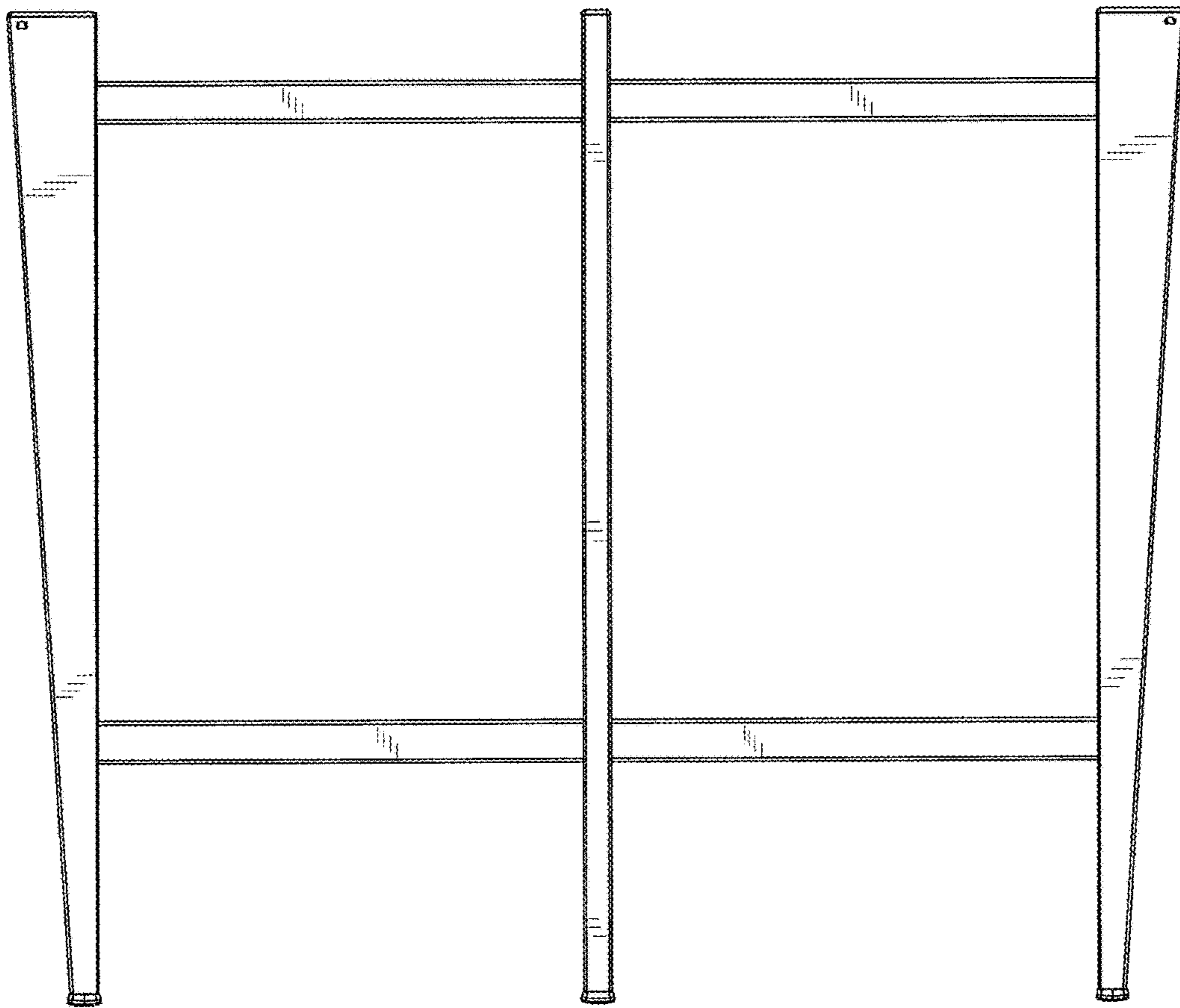


**Fig. 6**

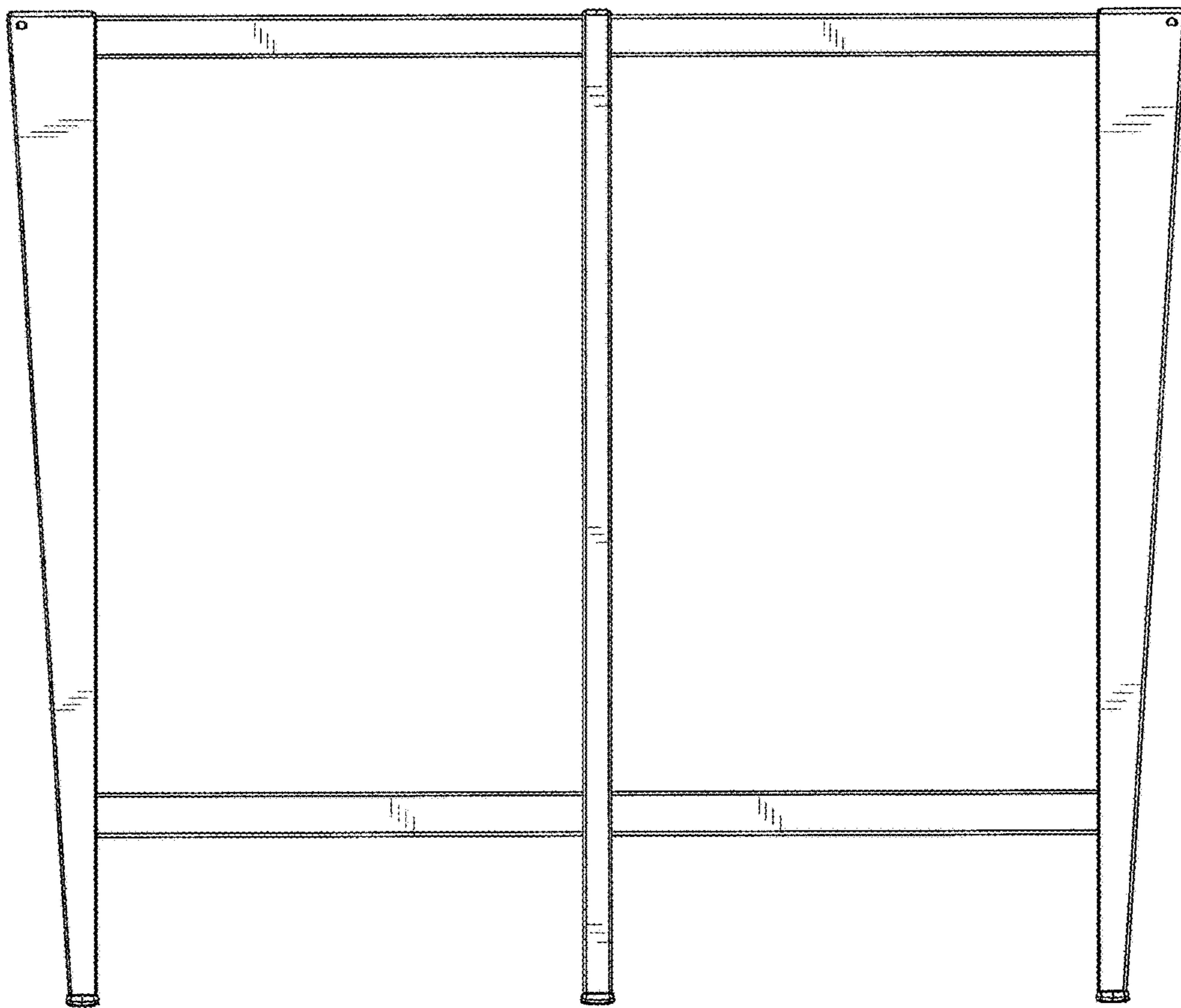


**Fig. 7**

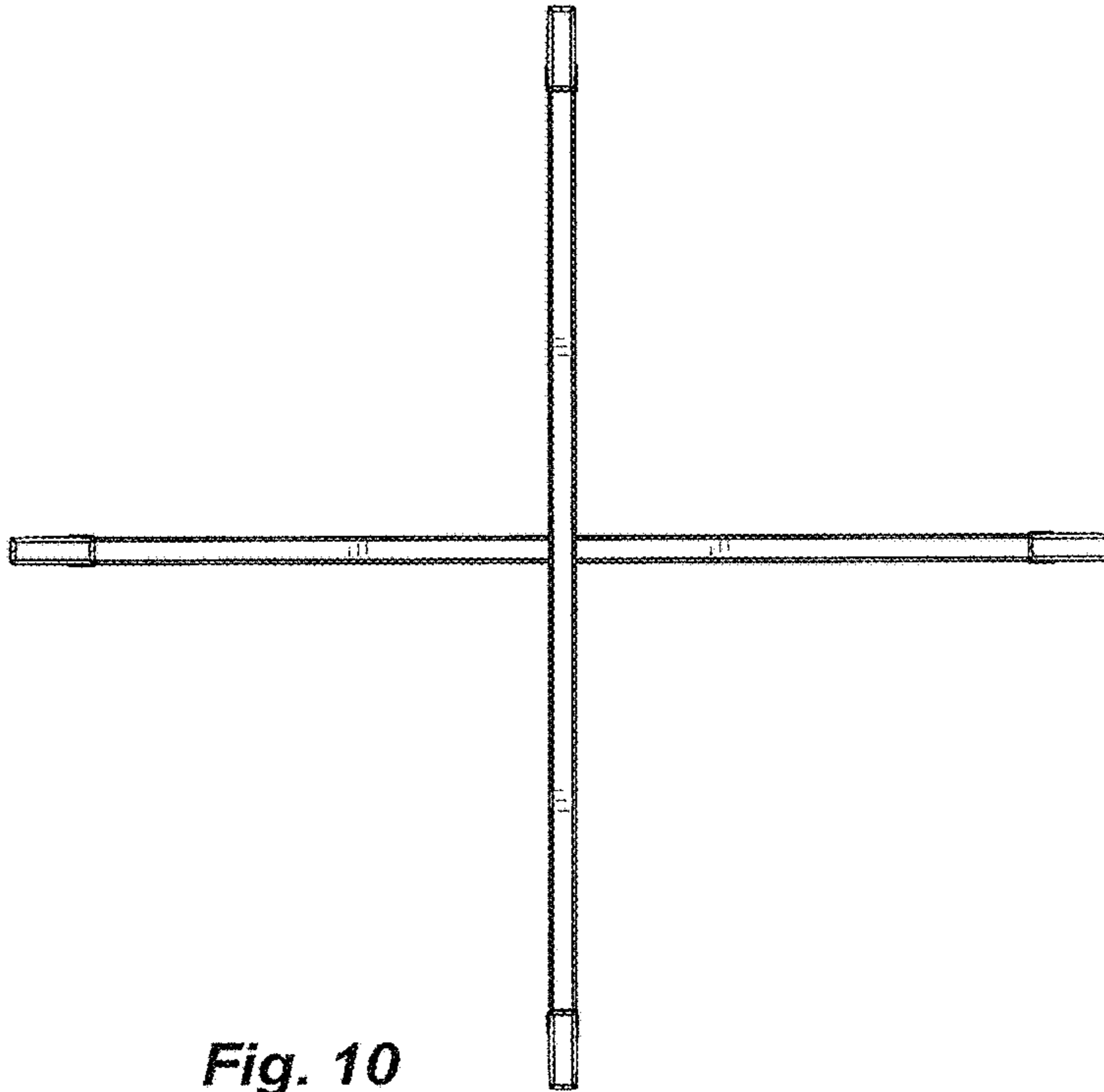




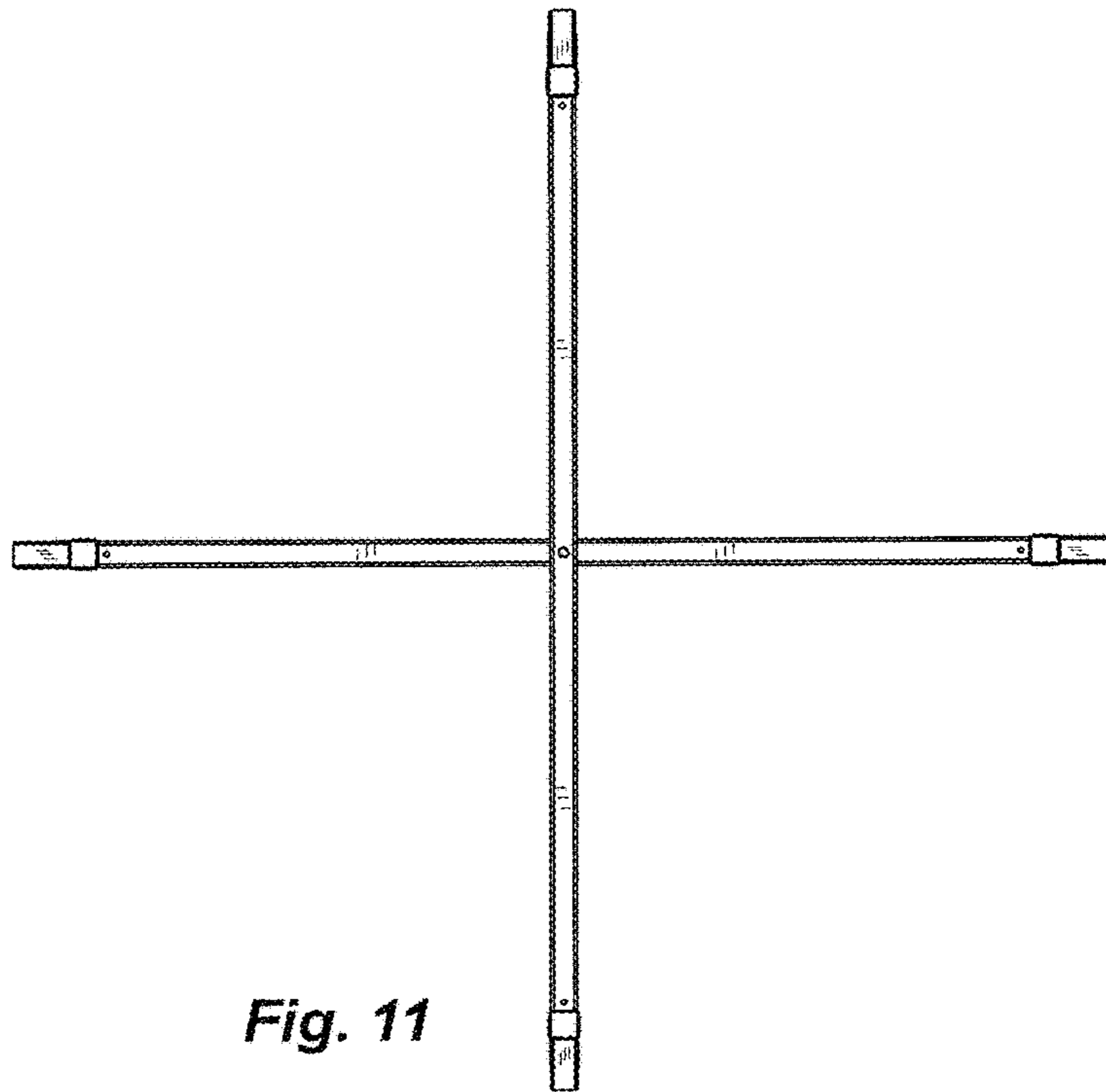
**Fig. 8**



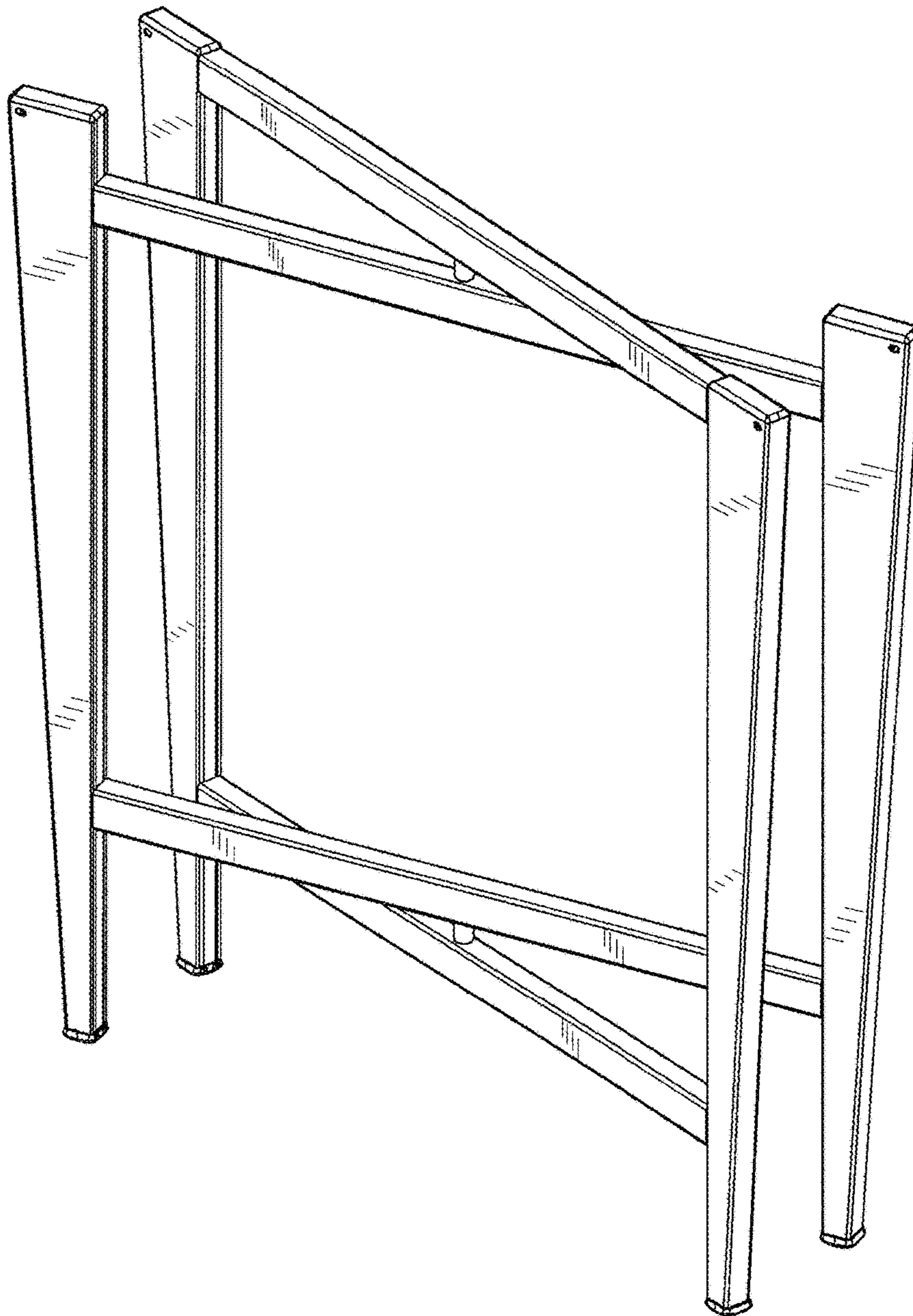
*Fig. 9*



*Fig. 10*



*Fig. 11*



**Fig. 12**