



US00D856724S

(12) **United States Design Patent**
Brucha

(10) **Patent No.:** **US D856,724 S**

(45) **Date of Patent:** **** Aug. 20, 2019**

(54) **WORKSTATION**

(71) Applicant: **Bernard Brucha**, Los Angeles, CA
(US)

(72) Inventor: **Bernard Brucha**, Los Angeles, CA
(US)

(**) Term: **15 Years**

(21) Appl. No.: **29/614,460**

(22) Filed: **Aug. 18, 2017**

(51) **LOC (12) Cl.** **06-03**

(52) **U.S. Cl.**
USPC **D6/707.19**

(58) **Field of Classification Search**
USPC D6/640, 641, 642, 643, 643.1, 644, 648,
D6/648.1, 648.3, 648.4, 649, 650, 651,
D6/652, 655, 655.1, 655.11, 656, 668,
D6/685, 688.11, 688.21, 688.27, 690,
D6/695, 698, 696.1, 700, 709.22, 707,
D6/707.19
CPC A47B 9/00; A47B 9/04; A47B 9/06; A47B
3/08; A47B 21/00; A47B 21/02; A47B
21/06; A47B 21/007; A47B 21/0314;
A47B 2009/185; A47B 2200/0013; A47B
2200/0026; A47B 2200/0085; A47B
2200/0087

See application file for complete search history.

(56) **References Cited**

U.S. PATENT DOCUMENTS

D212,541 S	*	10/1968	Taylor	D6/406.5
D216,991 S	*	3/1970	Gianfagna	D6/643.1
5,662,298 A	*	9/1997	Collins	A47B 13/003 108/125
D596,876 S	*	7/2009	Oshinomi	D6/644
D637,836 S	*	5/2011	Cortivo	D6/656

D662,336 S	*	6/2012	Martin	D6/656
D745,294 S	*	12/2015	Murray	D6/644
2008/0289545	A1*	11/2008	Picchio	A47B 9/04 108/106
2015/0091425	A1*	4/2015	Rheault	A47B 13/10 312/328
2016/0374464	A1*	12/2016	Schiavello	A47B 21/06 248/188.8
2017/0354247	A1*	12/2017	Matthai	F16M 13/022
2018/0255921	A1*	9/2018	Abraham	A47B 21/02

* cited by examiner

Primary Examiner — Mary Ann Calabrese

Assistant Examiner — Catherine Ho

(74) *Attorney, Agent, or Firm* — Spencer Fane LLP;
Steven J. Laureanti

(57) **CLAIM**

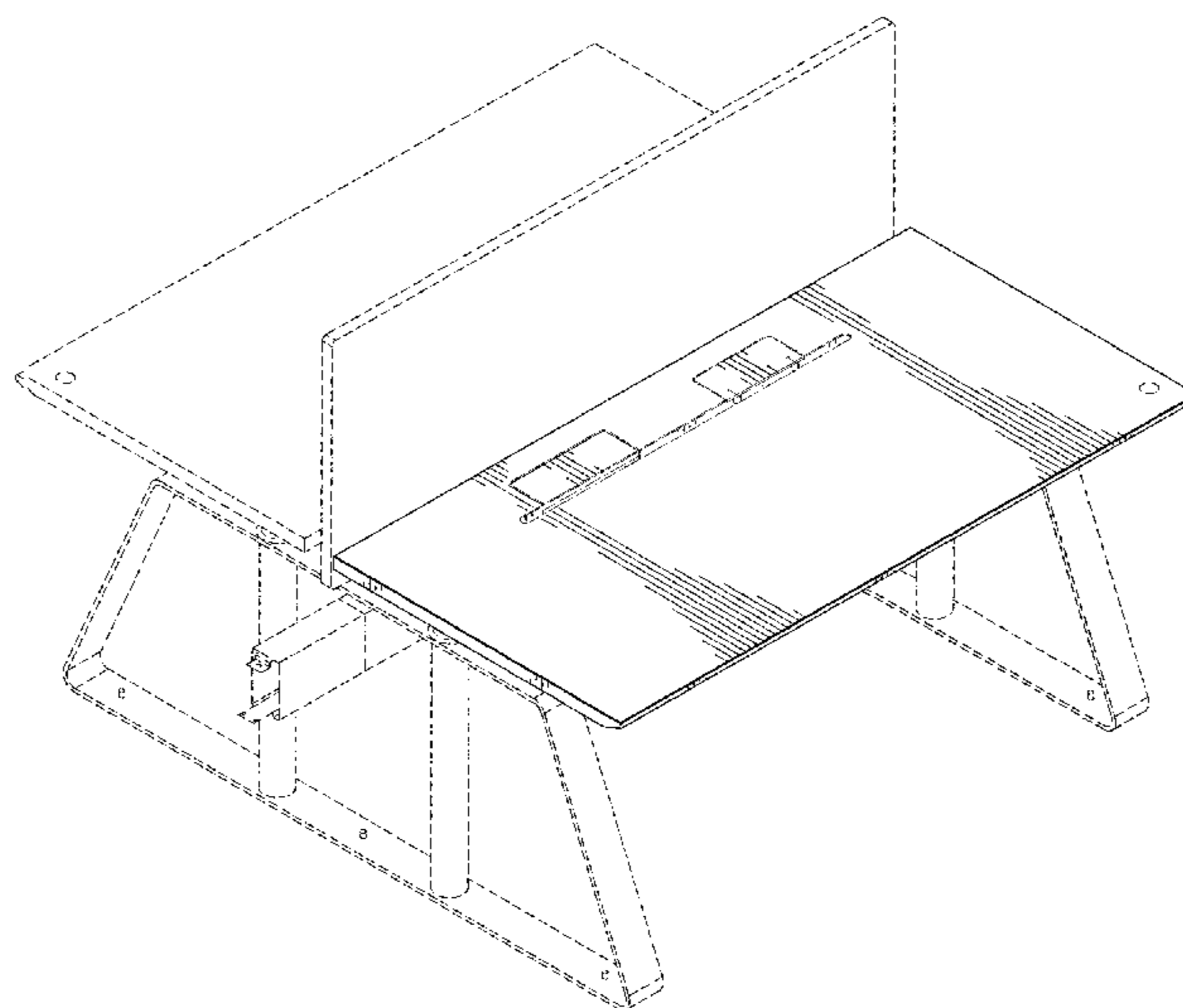
The ornamental design for a workstation, as shown and described.

DESCRIPTION

FIG. 1 is a front perspective view of a workstation, showing my new design;
FIG. 2 is front view thereof;
FIG. 3 is rear view thereof;
FIG. 4 is right side view thereof;
FIG. 5 is left side view thereof;
FIG. 6 is top view thereof;
FIG. 7 is bottom view thereof;
FIG. 8 is an exploded view of FIG. 1; and,
FIG. 9 is a perspective view of a workstation in an environment of use.

The broken lines in the figures immediately adjacent the solid lines represent the bounds of the claim, and the broken lines and the area within the broken lines represent unclaimed portions of the present invention. None of the broken lines form a part of the claimed design.

1 Claim, 9 Drawing Sheets



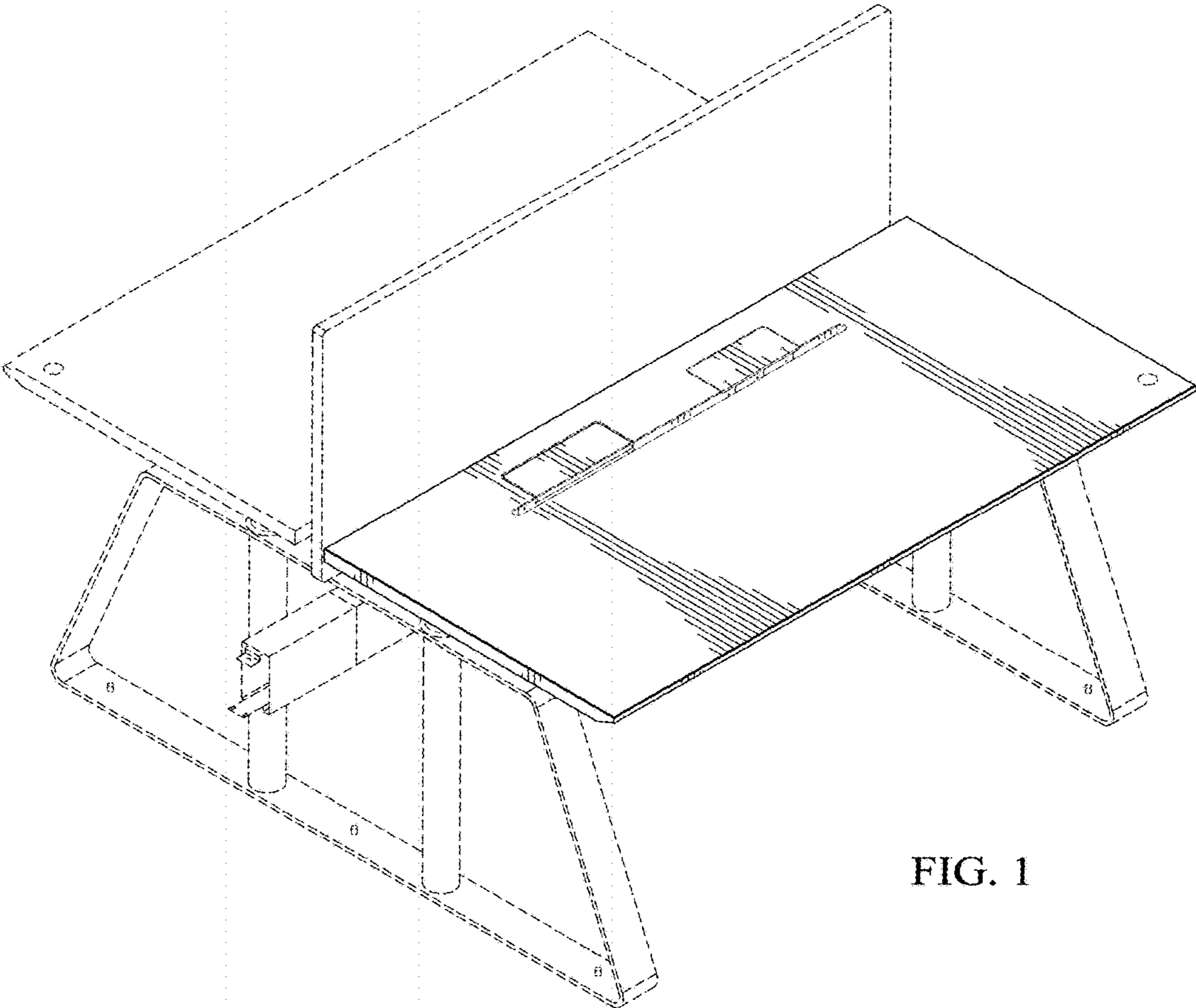


FIG. 1

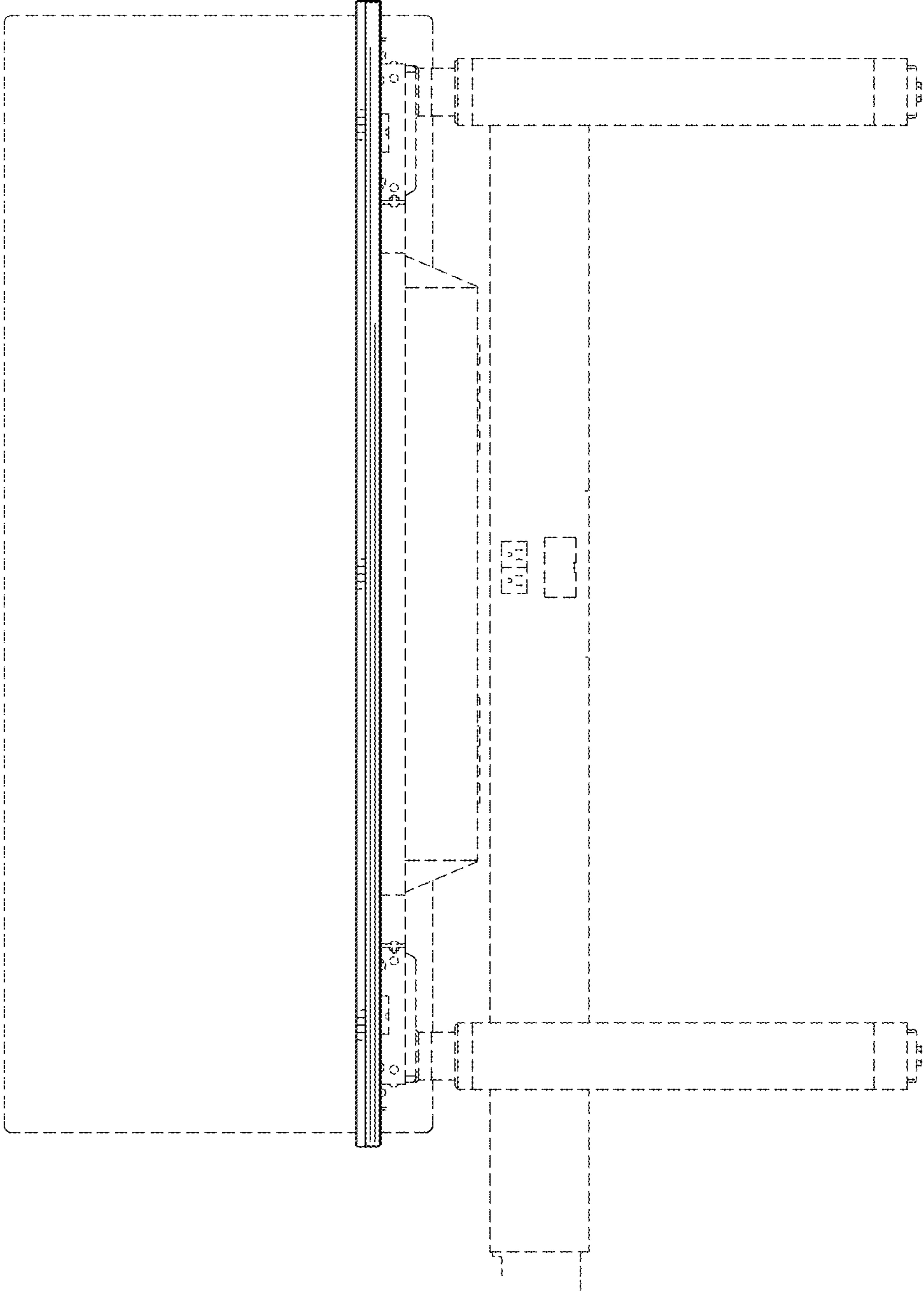


FIG. 2

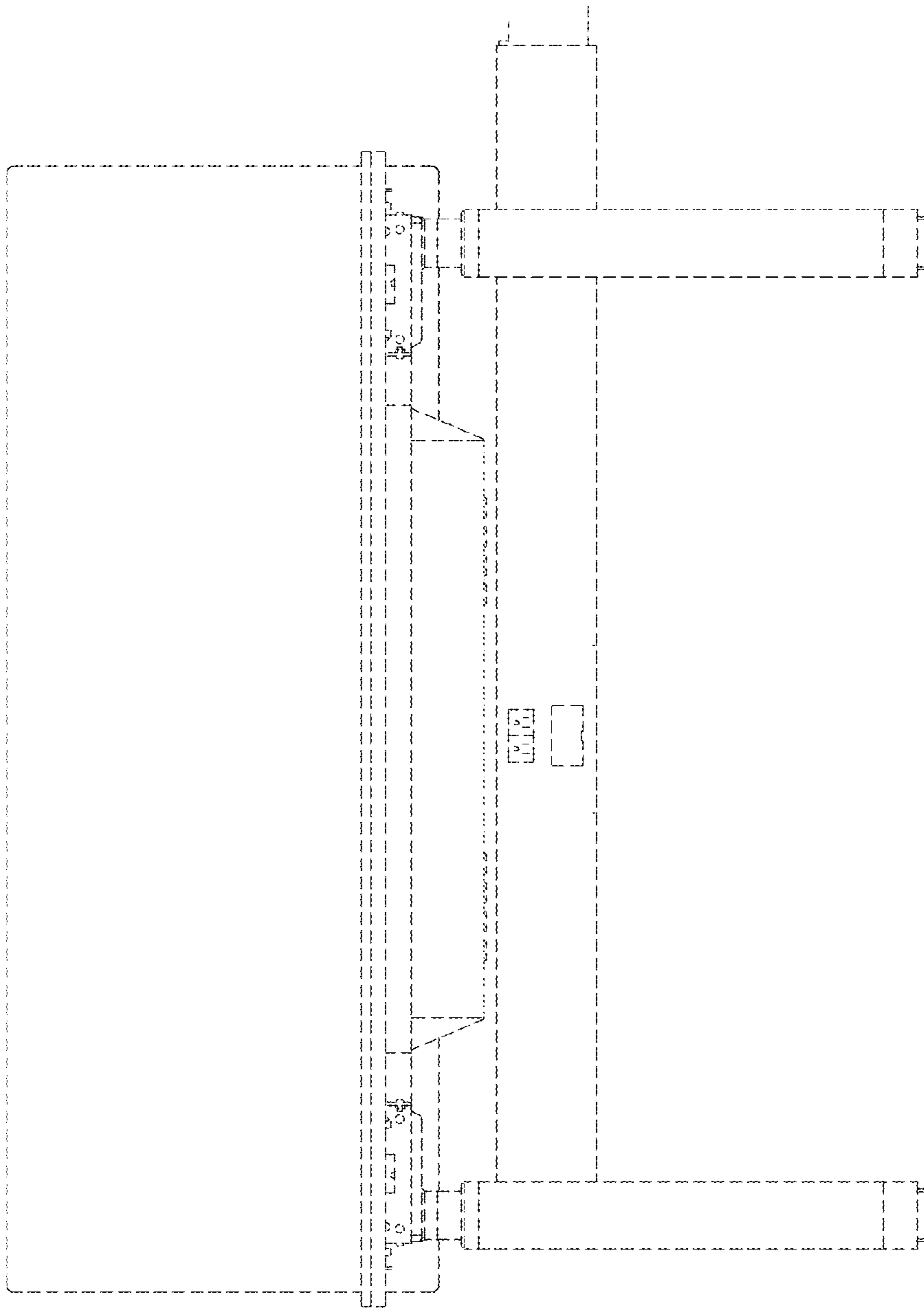


FIG. 3

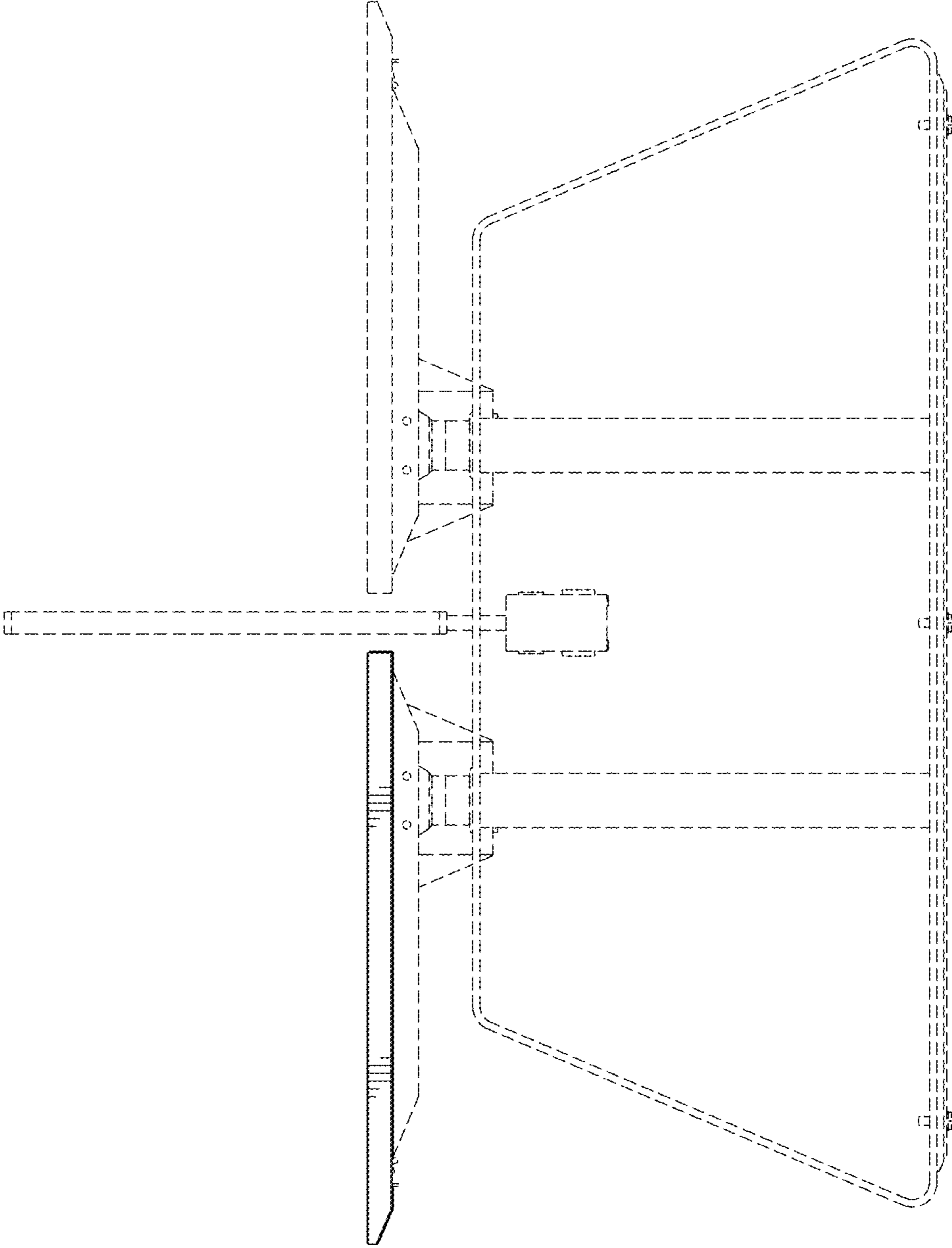


FIG. 4

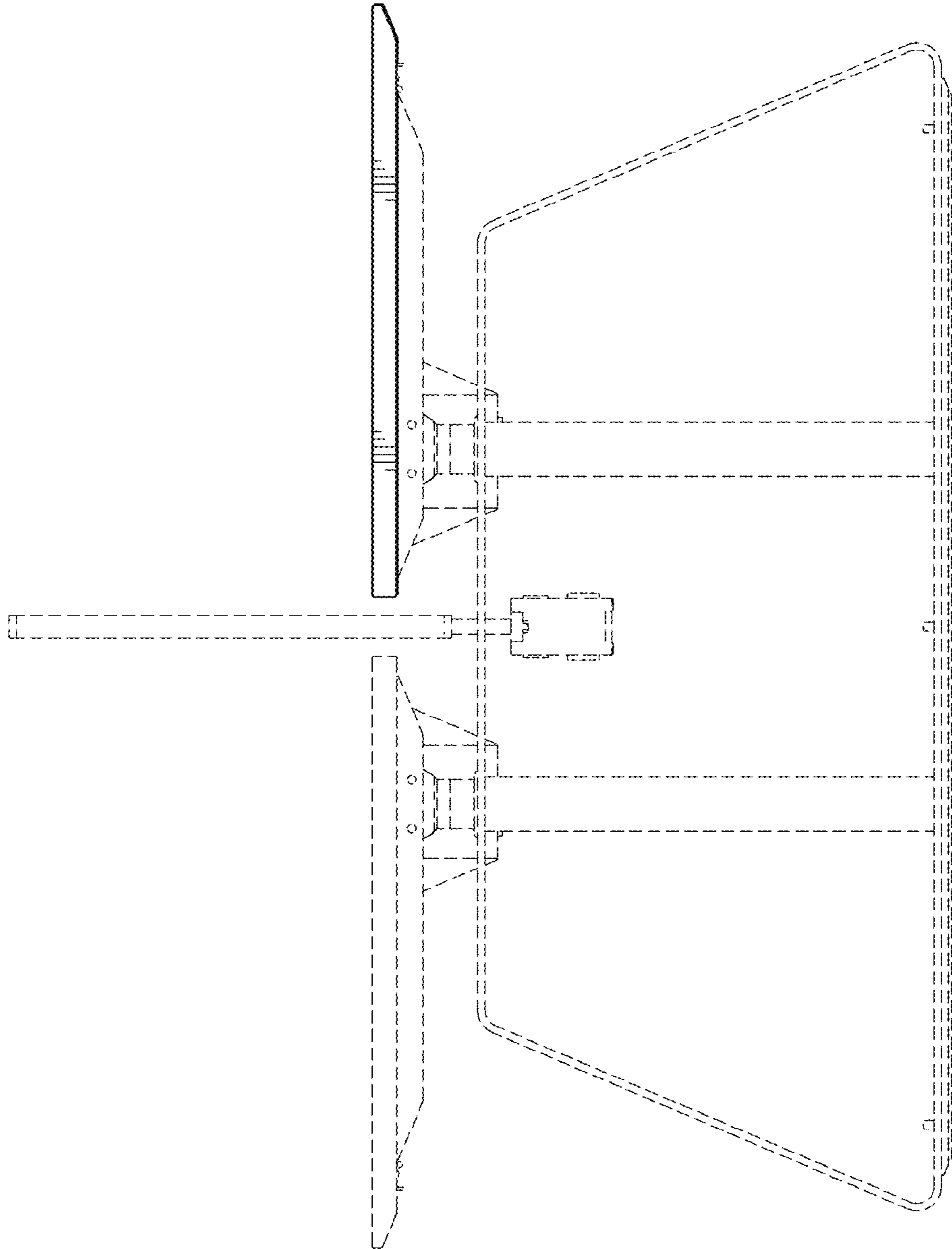


FIG. 5

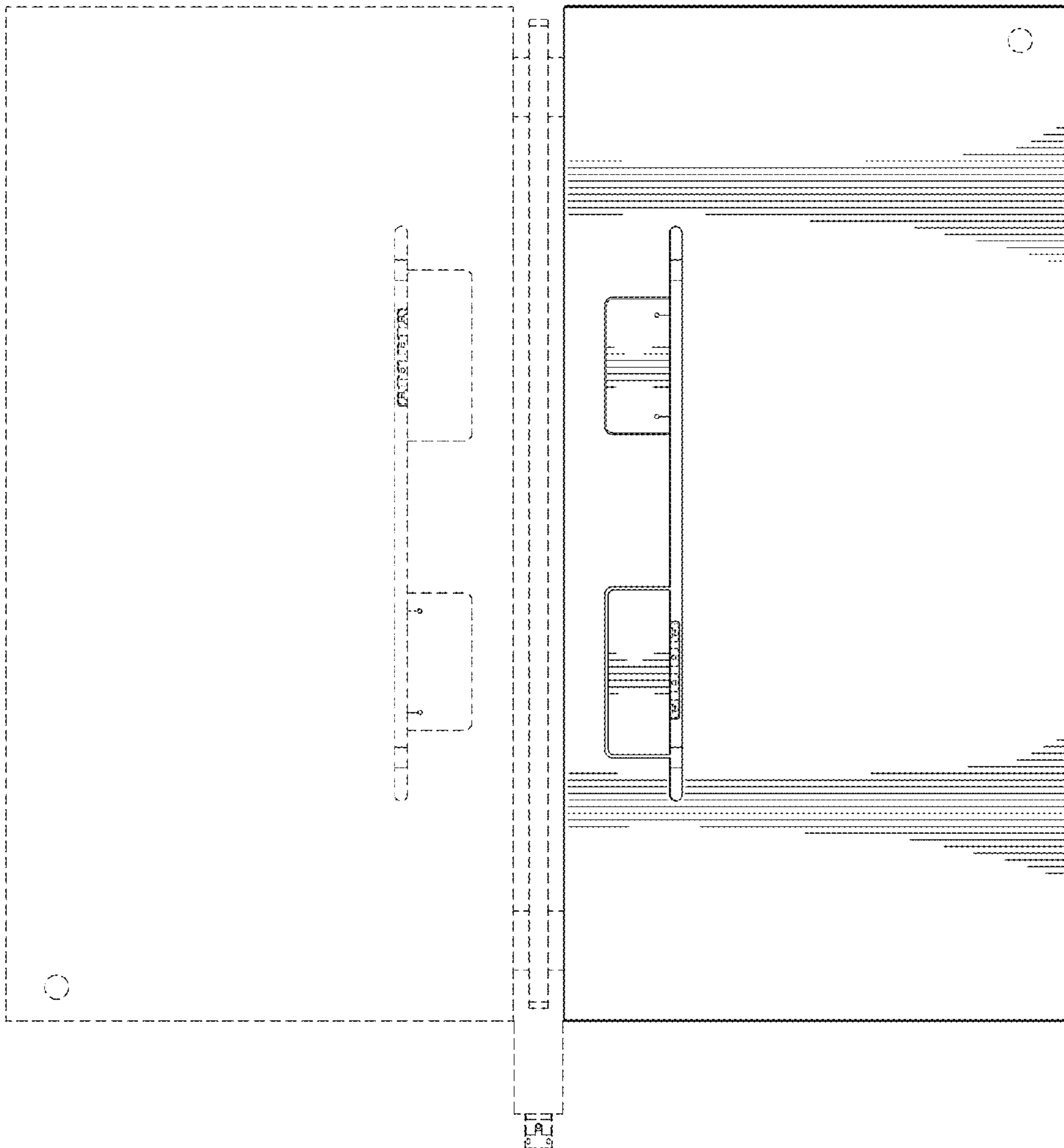


FIG. 6

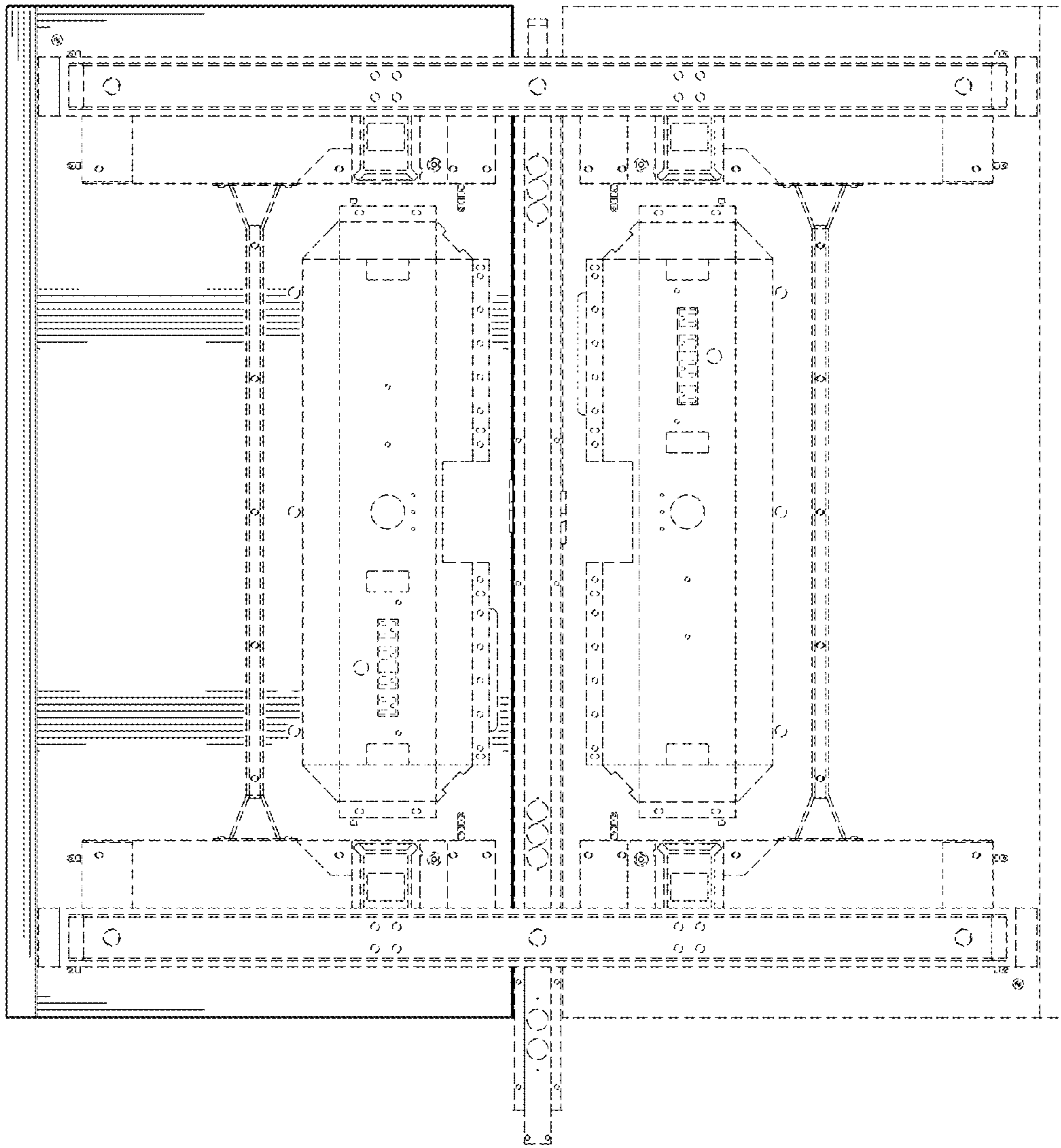


FIG. 7

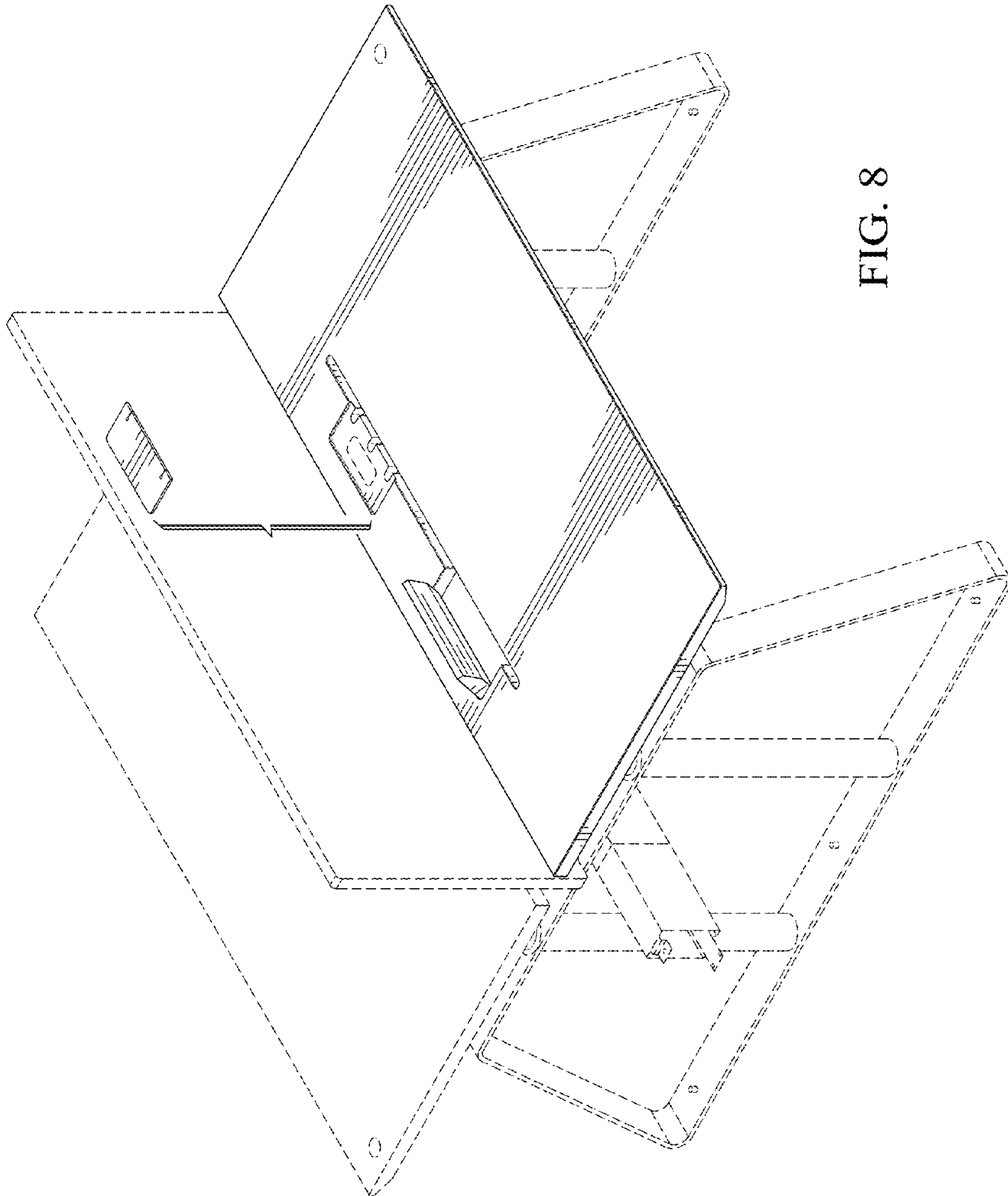


FIG. 8

