



US00D856723S

(12) **United States Design Patent** (10) **Patent No.:** **US D856,723 S**
Schmitt (45) **Date of Patent:** **** Aug. 20, 2019**

(54) **DRESSER WITH MIRROR**

(56) **References Cited**

(71) Applicant: **Jack Schmitt**, Mission Viejo, CA (US)

U.S. PATENT DOCUMENTS

(72) Inventor: **Jack Schmitt**, Mission Viejo, CA (US)

107,479 A 9/1870 Gilman
D23,928 S 1/1895 Rice
D90,370 S 7/1933 McClure
2,009,225 A 7/1935 Farrar
D106,297 S 10/1937 Krick
D109,986 S 6/1938 Hickerson
D134,062 S 10/1942 Witman
D143,189 S 12/1945 Colef

(73) Assignee: **Amini Innovation Corporation**, Pico Rivera, CA (US)

(**) Term: **15 Years**

(Continued)

(21) Appl. No.: **29/627,378**

OTHER PUBLICATIONS

(22) Filed: **Nov. 27, 2017**

Ethan Allen Circular, Legacy Collection Dresser with Mirror (reflected in mirror), p. 5, 1996.

(Continued)

Related U.S. Application Data

(62) Division of application No. 29/559,420, filed on Mar. 28, 2016, now Pat. No. Des. 803,603.

Primary Examiner — Kevin K Rudzinski

Assistant Examiner — Paul D Bohannon

(51) **LOC (12) Cl.** **06-06**

(74) *Attorney, Agent, or Firm* — Cislo & Thomas, LLP

(52) **U.S. Cl.**
USPC **D6/703.3**

(57) **CLAIM**

I claim the ornamental design for a dresser with mirror, as shown and described.

(58) **Field of Classification Search**

DESCRIPTION

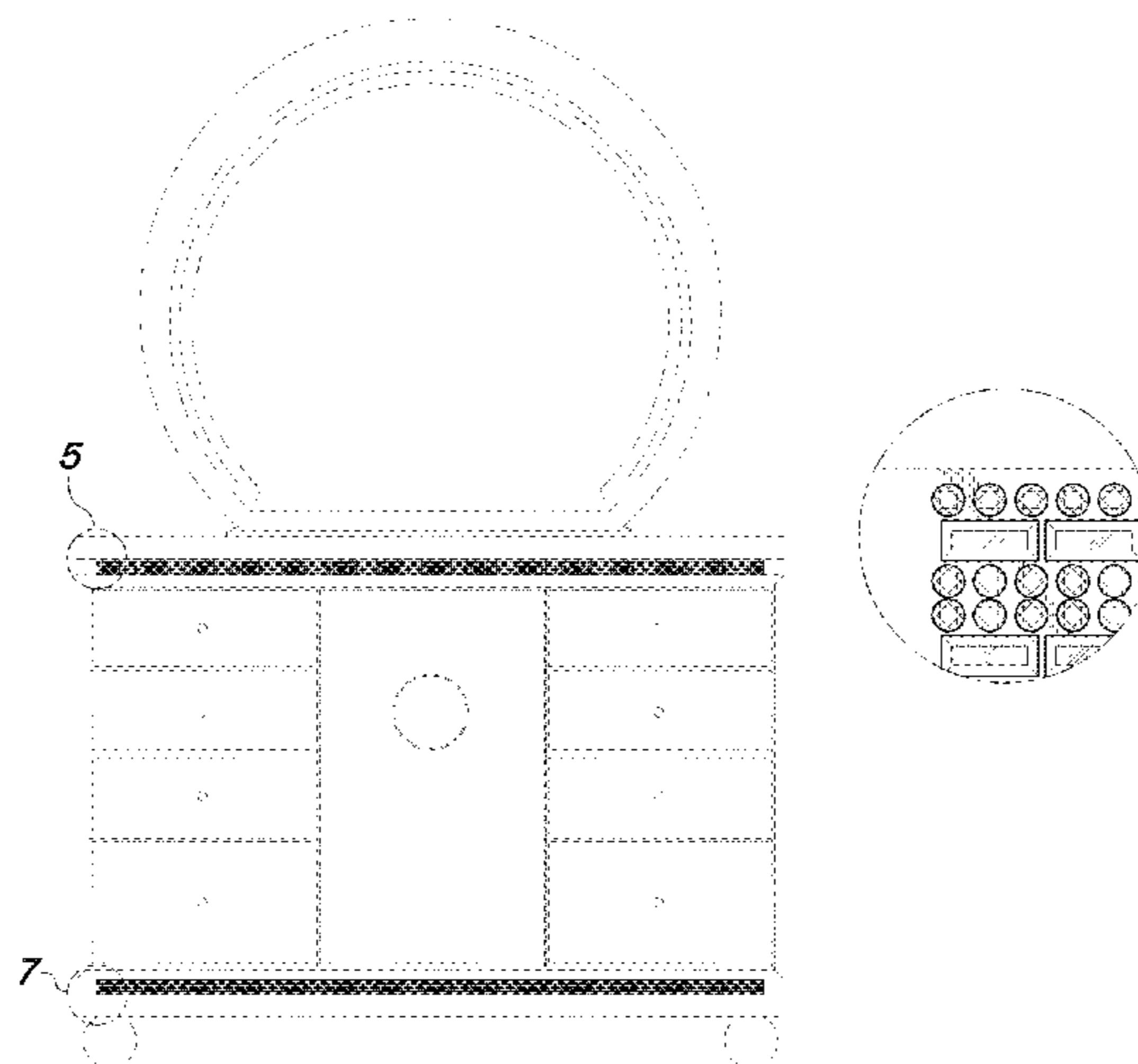
USPC D6/407, 657, 661, 663, 664, 664.1, D6/668.2, 671, 671.1, 671.4, 675, 675.1, D6/675.5, 683.1, 691.1, 691.8, 691.9, D6/702, 703, 309, 606, 660, 703.3; D14/168, 184; D15/85; D8/310; D23/342, 284, 285, 286, 300, 293.1; D13/184; D5/59
CPC ... A47B 47/024; A47B 87/008; A47B 87/002; A47B 88/48; A47B 88/90; A47B 2210/19; A47B 47/04; A47B 67/04; A47B 87/00; A47B 88/00; A47B 88/75; A47F 3/0413; A47F 5/116; A47F 5/0018; A47F 9/00; A47F 7/02; Y10T 428/24694; F25D 21/14; F25D 23/069; F25D 2400/10; E05B 65/463

FIG. 1 is a perspective view of my dresser with mirror;
FIG. 2 is a front view thereof;
FIG. 3 is a left side view, the right side (not shown) is a mirror image thereof;
FIG. 4 is a top view of my dresser with mirror;
FIG. 5 is a close up view of the area designated as “5” in FIG. 2;
FIG. 6 is a close up view of the area designated as “6” in FIG. 5;
FIG. 7 is a close up view of the area designated as “7” in FIG. 2; and,
FIG. 8 is a close up view of the area designated as “8” in FIG. 7.

The broken lines are for environmental purposes only and form no part of the claimed design.

See application file for complete search history.

1 Claim, 6 Drawing Sheets



(56)

References Cited

U.S. PATENT DOCUMENTS

| | | | | | | |
|------------|---------|---------------------|------------|-----------|----------------|----------|
| D198,795 S | 8/1964 | Hekler | D481,555 S | 11/2003 | Schmitt | |
| D198,796 S | 8/1964 | Heckler | D482,901 S | 12/2003 | Stanton | |
| D208,029 S | 7/1967 | Mulder | D482,910 S | * 12/2003 | Jeup | D6/703.3 |
| D216,709 S | 3/1970 | Chapin | D483,962 S | 12/2003 | Stanton | |
| D223,206 S | 3/1972 | Adkinson | D484,319 S | 12/2003 | Domack | |
| D227,838 S | 7/1973 | Adkinson | D485,079 S | 1/2004 | Warren et al. | |
| D234,177 S | 1/1975 | Keller | D487,200 S | 3/2004 | Wanek | |
| D241,210 S | 8/1976 | Elsen | D487,201 S | 3/2004 | Schmitt | |
| D241,211 S | 8/1976 | Elsen | D487,202 S | 3/2004 | Schmitt | |
| D242,678 S | 12/1976 | Adkinson | D487,548 S | 3/2004 | Schmitt | |
| D258,331 S | 2/1981 | Brown | D488,638 S | 4/2004 | Stanton | |
| D258,333 S | 2/1981 | Brown | D488,640 S | 4/2004 | Domack | |
| D265,155 S | 6/1982 | Bravo | D488,936 S | 4/2004 | Schmitt | |
| D269,927 S | 8/1983 | Aulbert et al. | D490,626 S | 6/2004 | Risdon et al. | |
| D270,125 S | 8/1983 | Aulbert et al. | D504,036 S | 4/2005 | Risdon et al. | |
| D272,698 S | 2/1984 | Aulbert et al. | D505,569 S | 5/2005 | Mohundro | |
| D299,296 S | 1/1989 | Lafko | D508,795 S | 8/2005 | Mirchand | |
| D321,438 S | 11/1991 | Pauer et al. | D511,906 S | 11/2005 | Mohundro | |
| D341,502 S | 11/1993 | Ball | D513,673 S | 1/2006 | Domack et al. | |
| D343,744 S | 2/1994 | Keller | D513,886 S | 1/2006 | Mohundro | |
| D346,915 S | 5/1994 | Roser, Jr. | D514,823 S | 2/2006 | Domack et al. | |
| D350,656 S | 9/1994 | Ferguson | D516,343 S | 3/2006 | Domack et al. | |
| D371,257 S | 7/1996 | Paus | D518,311 S | 4/2006 | Domack et al. | |
| D373,033 S | 8/1996 | Rosebrock | D519,286 S | 4/2006 | Domack et al. | |
| D374,569 S | 10/1996 | Paus | D524,060 S | 7/2006 | Schmitt | |
| D374,570 S | 10/1996 | Keller et al. | D524,554 S | 7/2006 | Schmitt | |
| D374,783 S | 10/1996 | Keller et al. | D524,556 S | 7/2006 | Schmitt | |
| D383,330 S | 9/1997 | Lowery | D525,037 S | 7/2006 | Schmitt | |
| D384,518 S | 10/1997 | Bergelin | D525,038 S | 7/2006 | Schmitt | |
| D384,521 S | 10/1997 | Bergelin | D525,048 S | 7/2006 | Mohundro | |
| D387,568 S | 12/1997 | Walters, III et al. | D525,438 S | 7/2006 | Schmitt | |
| D387,580 S | 12/1997 | Walters et al. | D526,130 S | 8/2006 | Mohundro | |
| D387,925 S | 12/1997 | Keller et al. | D526,142 S | 8/2006 | Schmitt | |
| D400,733 S | 11/1998 | O'Hare | D526,510 S | 8/2006 | Schmitt | |
| D404,223 S | 1/1999 | Bargagli-Stoffi | D526,793 S | 8/2006 | Schmitt | |
| D406,202 S | 3/1999 | Zaidman | D527,203 S | 8/2006 | Schmitt | |
| D409,844 S | 5/1999 | Cain | D527,206 S | 8/2006 | Domack et al. | |
| D411,050 S | 6/1999 | Keller et al. | D527,547 S | 9/2006 | Domack et al. | |
| D412,413 S | 8/1999 | Keller et al. | D528,325 S | 9/2006 | Schmitt | |
| D418,328 S | 1/2000 | O'Hare | D529,310 S | 10/2006 | Schmitt | |
| D419,796 S | 2/2000 | O'Hare | D530,116 S | 10/2006 | Schmitt | |
| D424,831 S | 5/2000 | O'Hare | D530,538 S | 10/2006 | Schmitt | |
| D425,329 S | 5/2000 | O'Hare | D530,539 S | 10/2006 | Schmitt | |
| D431,393 S | 10/2000 | Walter et al. | D531,427 S | 11/2006 | Schmitt | |
| D437,150 S | 2/2001 | Cain | D532,214 S | 11/2006 | Schmitt | |
| D437,503 S | 2/2001 | Ungaro | D532,625 S | 11/2006 | Schmitt | |
| D443,438 S | 6/2001 | O'Hare et al. | D532,997 S | 12/2006 | Schmitt | |
| D447,887 S | 9/2001 | O'Hare et al. | D535,135 S | * 1/2007 | Schmitt | D6/718.2 |
| D448,205 S | 9/2001 | O'Hare et al. | D542,056 S | 5/2007 | Puente | |
| D450,202 S | 11/2001 | McDaniel et al. | D547,568 S | 7/2007 | Mohundro | |
| D450,203 S | 11/2001 | Vaaler | D551,879 S | 10/2007 | Janke et al. | |
| D450,475 S | 11/2001 | Vaaler | D552,375 S | 10/2007 | Mohundro | |
| D451,700 S | 12/2001 | Vaaler | D554,393 S | 11/2007 | Yalif | |
| D454,729 S | 3/2002 | Vaaler | D555,934 S | 11/2007 | Thompson | |
| D455,275 S | 4/2002 | Vaaler | D556,472 S | 12/2007 | Janke et al. | |
| D459,111 S | 6/2002 | Tobin, Jr. | D557,037 S | 12/2007 | O'Hare et al. | |
| D459,615 S | 7/2002 | Stanton | D560,916 S | 2/2008 | Schmitt | |
| D467,095 S | 12/2002 | Vaaler | D562,587 S | 2/2008 | Schmitt | |
| D468,930 S | 1/2003 | Berry, Jr. et al. | D562,597 S | 2/2008 | Weatherly | |
| D469,626 S | 2/2003 | Vaaler | D564,783 S | 3/2008 | Schmitt | |
| D469,627 S | 2/2003 | Stanton | D564,784 S | 3/2008 | Schmitt | |
| D469,631 S | 2/2003 | Vaaler | D564,785 S | 3/2008 | Schmitt | |
| D469,982 S | 2/2003 | Warren et al. | D568,633 S | 5/2008 | Domack et al. | |
| D469,984 S | 2/2003 | O'Hare | D577,208 S | 9/2008 | Thompson | |
| D470,686 S | 2/2003 | O'Hare | D579,214 S | 10/2008 | Hassett, Jr. | |
| D472,733 S | 4/2003 | McDaniel et al. | D579,244 S | 10/2008 | Hassett, Jr. | |
| D473,400 S | 4/2003 | O'Hare | D583,570 S | 12/2008 | Mohundro | |
| D474,054 S | 5/2003 | Warren et al. | D586,581 S | 2/2009 | Schmitt | |
| D474,922 S | 5/2003 | Vaaler | D587,932 S | 3/2009 | Domack et al. | |
| D475,868 S | 6/2003 | Vaaler | D588,836 S | 3/2009 | Everson et al. | |
| D476,505 S | 7/2003 | Lenger | D591,021 S | 4/2009 | Peacock | |
| D477,725 S | 7/2003 | McDaniel et al. | D593,774 S | 6/2009 | Schmitt | |
| D480,236 S | 10/2003 | Schmitt | D603,622 S | 11/2009 | Schmitt | |
| D480,896 S | 10/2003 | Paus | D606,794 S | * 12/2009 | Steppat | D6/606 |
| D480,898 S | 10/2003 | Schmitt | D613,528 S | * 4/2010 | Louk | D6/703.3 |
| | | | D635,378 S | * 4/2011 | Schmidt | D6/703.3 |
| | | | D637,014 S | 5/2011 | Schmitt | |
| | | | D650,201 S | 12/2011 | Schmitt | |
| | | | D655,942 S | 3/2012 | Schmitt | |

(56)

References Cited

U.S. PATENT DOCUMENTS

| | | | |
|------------|-----------|---------------|----------|
| D655,943 S | 3/2012 | Schmitt | |
| D663,549 S | 7/2012 | Domack et al. | |
| D666,438 S | 9/2012 | Cressman | |
| D668,079 S | 10/2012 | Domack et al. | |
| D668,887 S | 10/2012 | Schmitt | |
| D692,698 S | 11/2013 | Schmitt | |
| D692,699 S | 11/2013 | Schmitt | |
| D692,703 S | * 11/2013 | Schmitt | D6/703.3 |
| D692,704 S | * 11/2013 | Schmitt | D6/703.3 |
| D695,049 S | * 12/2013 | James | D6/703.3 |
| D695,551 S | * 12/2013 | Gatto | D5/59 |
| D699,484 S | 2/2014 | James | |
| D725,943 S | * 4/2015 | Oberwelz | D5/62 |
| D746,085 S | * 12/2015 | Jensen | D6/606 |
| D772,613 S | 11/2016 | Liu | |
| D798,077 S | * 9/2017 | Schmitt | D6/393 |
| D798,086 S | * 9/2017 | Schmitt | D6/660 |
| D799,860 S | * 10/2017 | Schmitt | D6/663 |
| D801,737 S | * 11/2017 | Schmitt | D6/691.1 |
| D803,603 S | * 11/2017 | Schmitt | D6/664.1 |
| D804,195 S | * 12/2017 | Hoff | D6/309 |

OTHER PUBLICATIONS

Thomasville Catalog, Replicas 1662 Triple Dresser and Mirror, p. 2, 1983.

America's Oak Furniture, Schiffer, 1988, Low Chest with Mirror, p. 90.
 Golden Oak Furniture, Warren, 1992, Dresser with Mirror, p. 140.
 Furniture Today, Genoa Collection Dresser with Mirror, p. 14, Oct. 11, 1999.
 Thomasville, Palais Jardin Mirror Dresser and Door Chest, p. 12, 2002.
 Furniture Today, Source Mktg. Group Mirror Dresser and Sumter Cabinet, p. 192, Oct. 14, 2002.
 Furniture Today, Union City Imports China Hutch, p. 158, Oct. 19, 1998.
 Furniture Today, AICO China Hutch, p. 15, Oct. 16, 2000.
 Furniture Today, Broyhill China Hutch, p. 11, Apr. 16, 2001.
 Furniture Today, Marge Carson Wall Unit, p. 126, Oct. 11, 1999.
 Furniture Today, Pulaski Armoire, p. 33, Apr. 15, 2002.
 Amini Innovation Corp. Monte Carlo Collection, #53000 Series, 2001, 2 pages.
 Amini Innovation Corp. La Francaise Collection, #50000 Series, Sep. 11, 2002, 5 pages.
 Amini Innovation Corp. Royal Oak Collection #31000 Series, Sep. 11, 2002, 1 page.
 Amini Innovation Corp. Torino Collection, #56000 Series, Apr. 18, 2002, 1 page.
 Amini Innovation Corp. Paradisio Collection #52000 Series, 2003, 1 page.
 Amin Innovation Corp. Trevi Collection, Sep. 20, 2004, 2 pages.
 USA Pilliod Furniture, Inc., Mar. 20, 2013, 1 page.

* cited by examiner

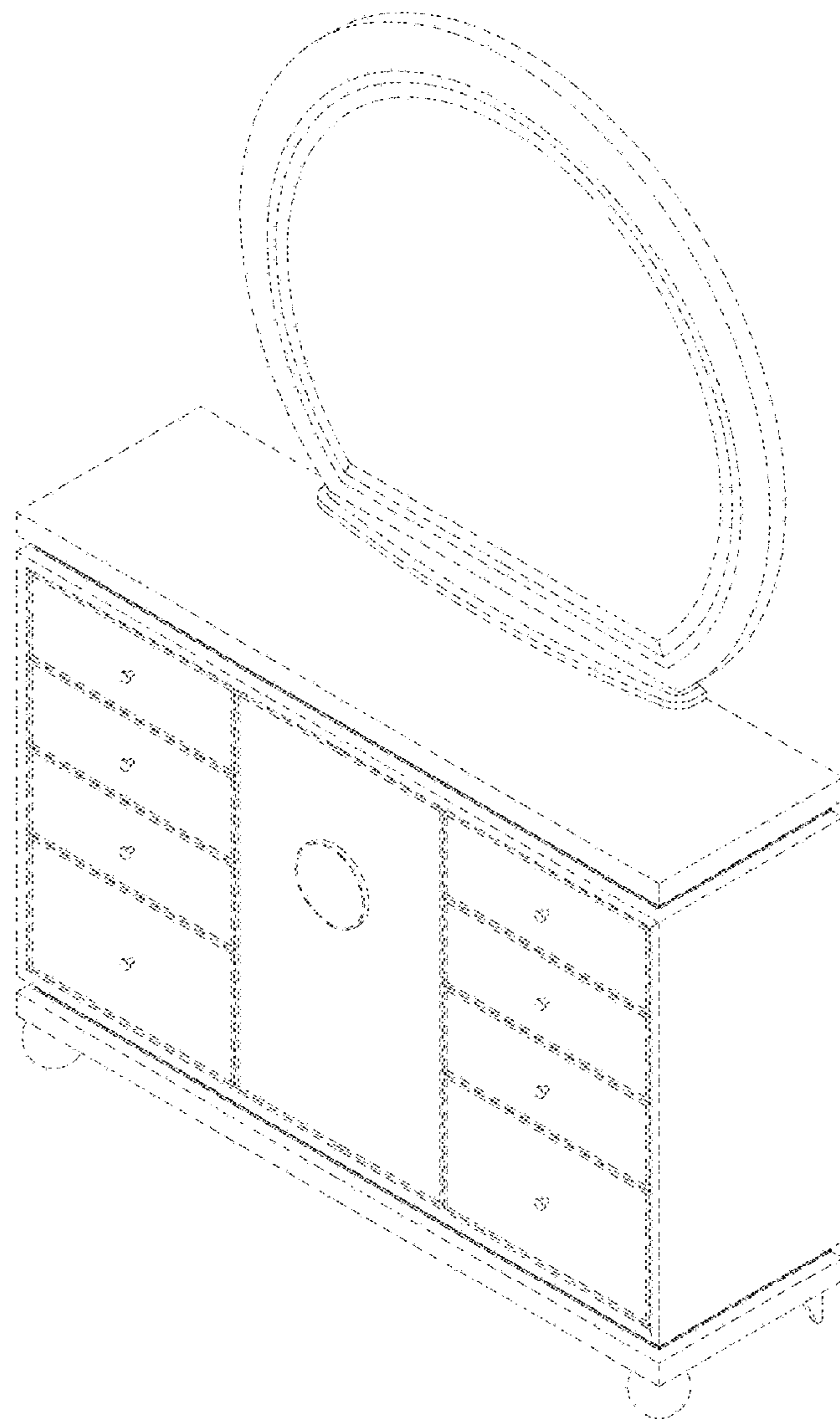


FIG. 1

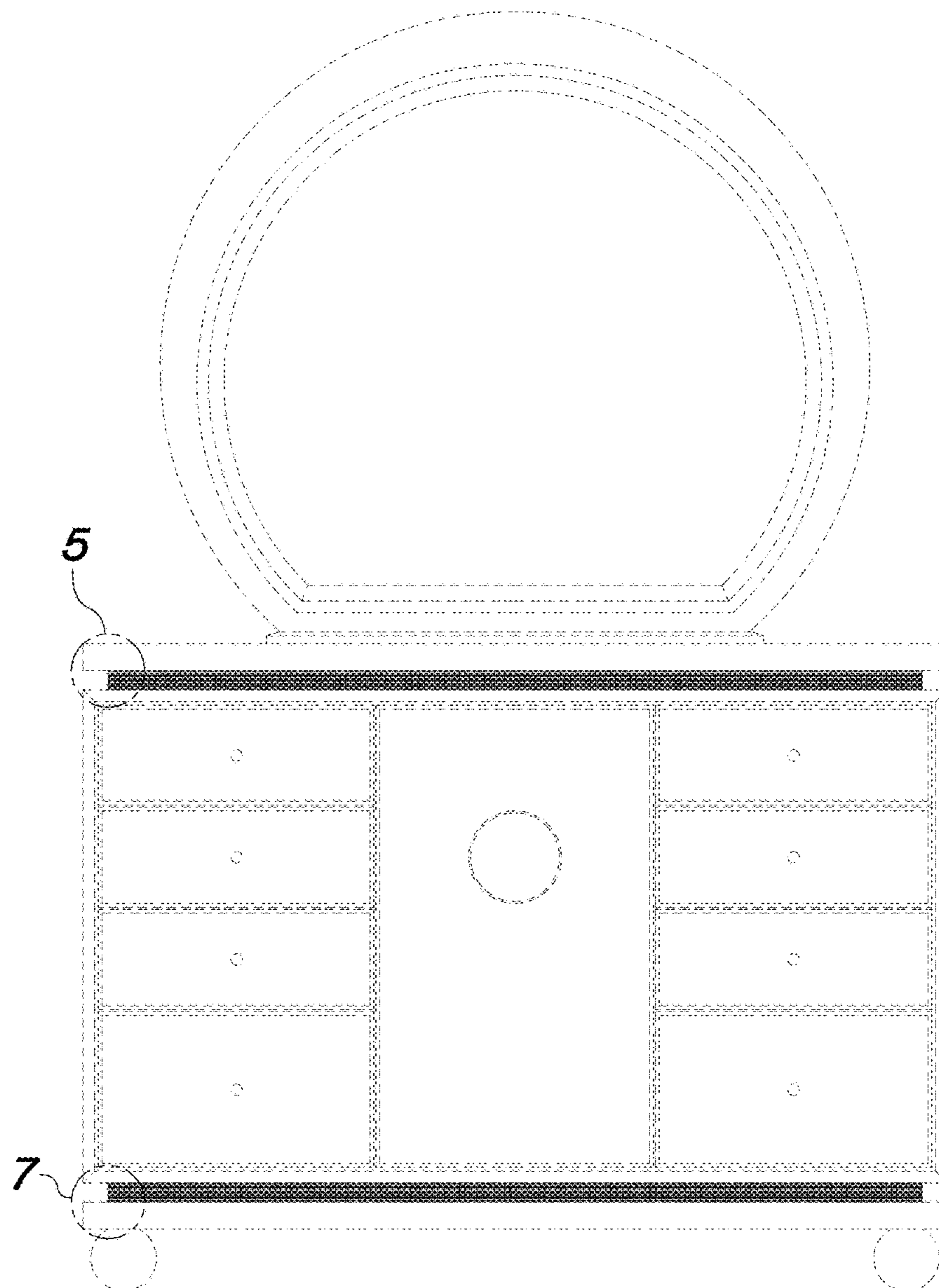


FIG. 2

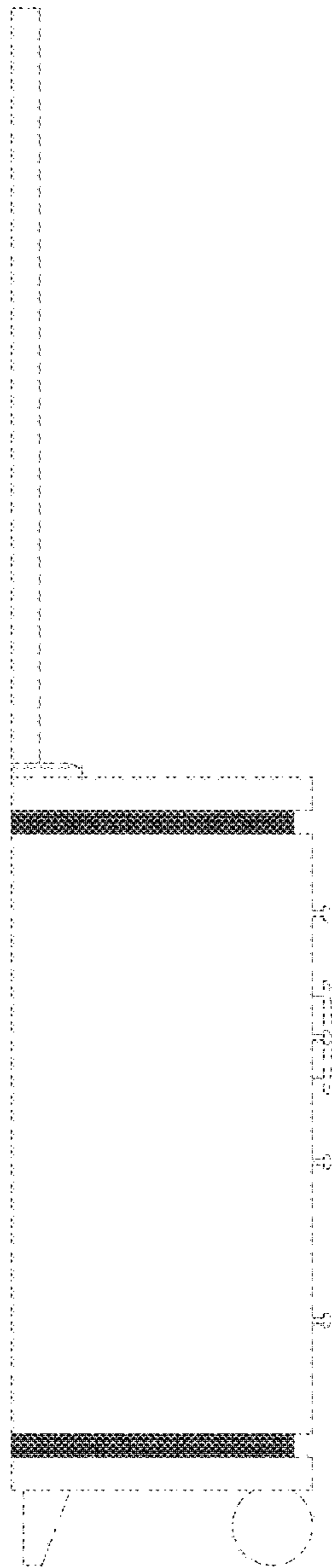


FIG. 3

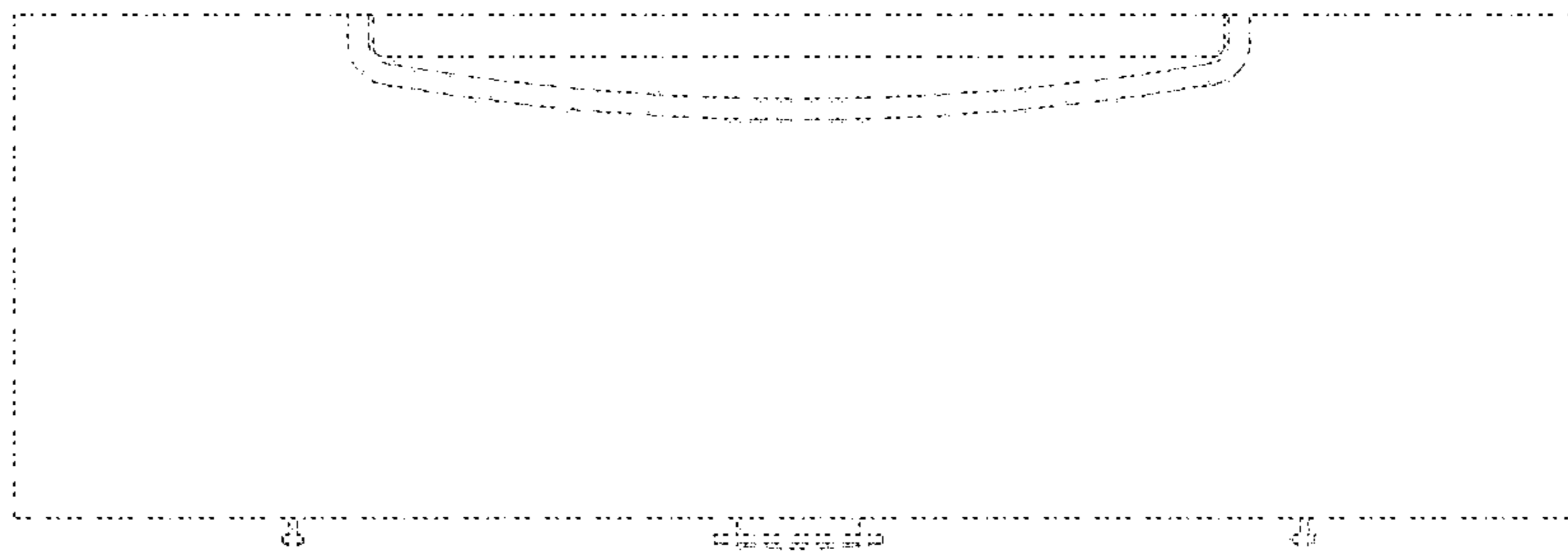


FIG. 4

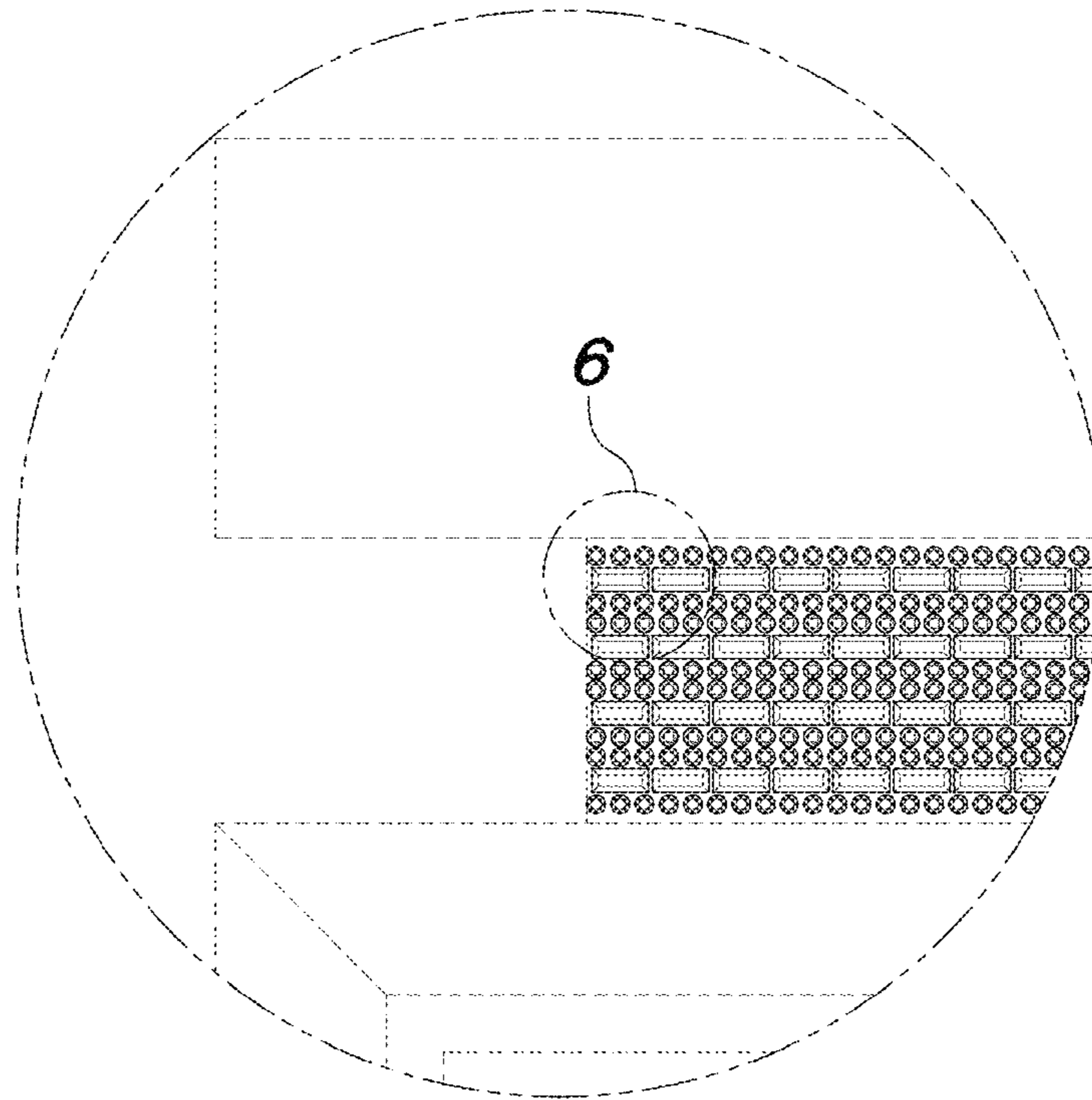


FIG. 5

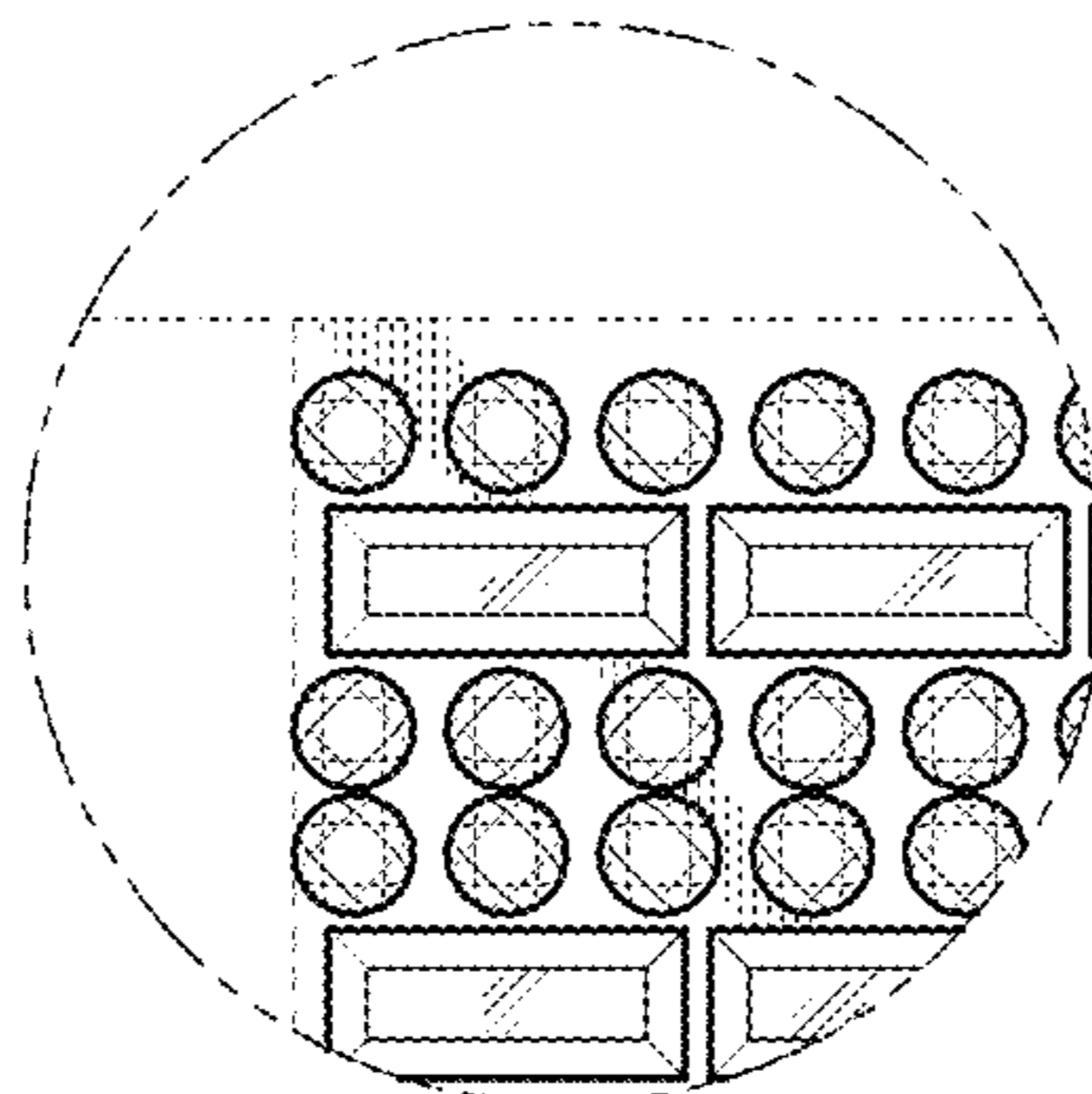


FIG. 6

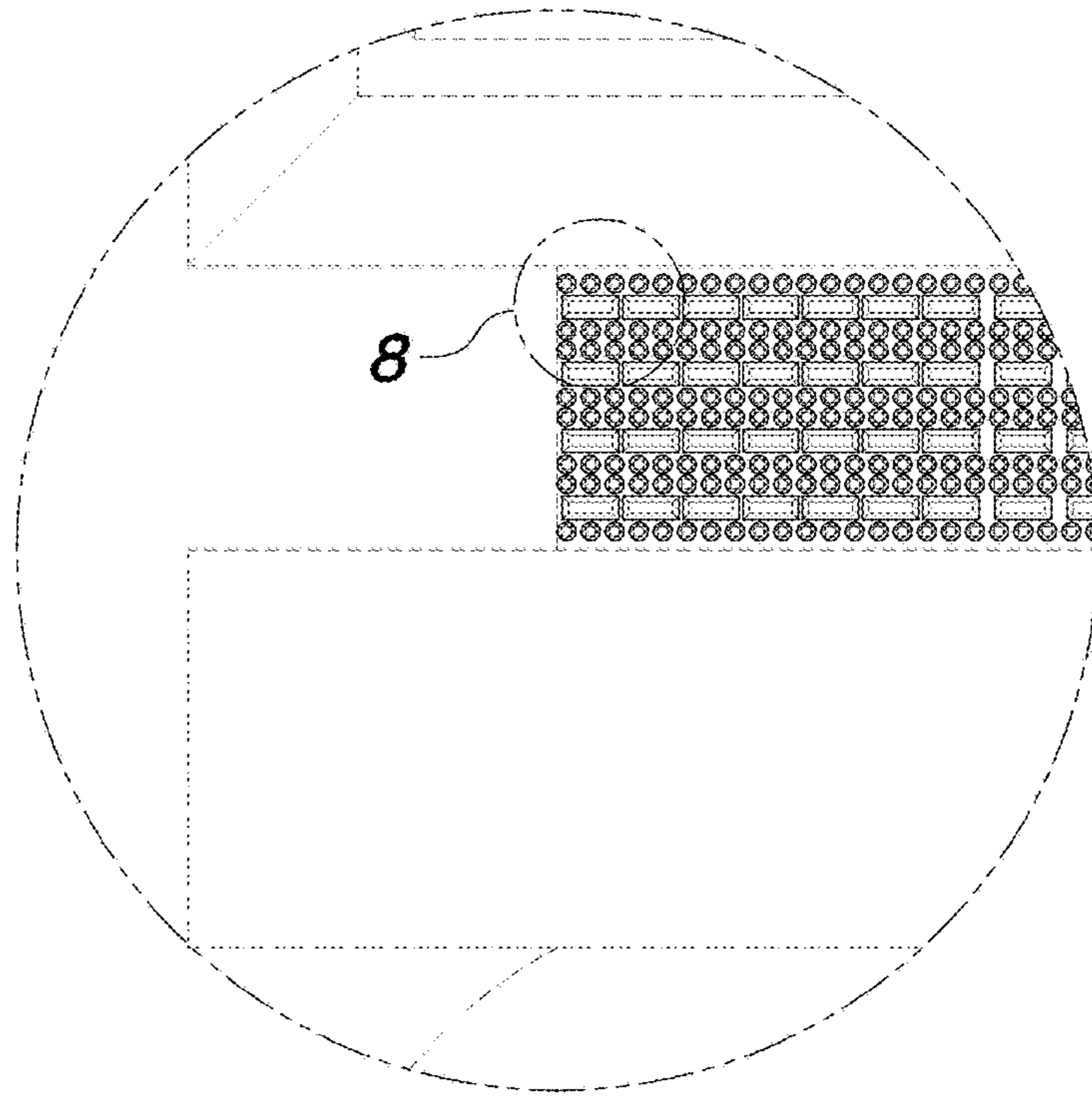


FIG. 7

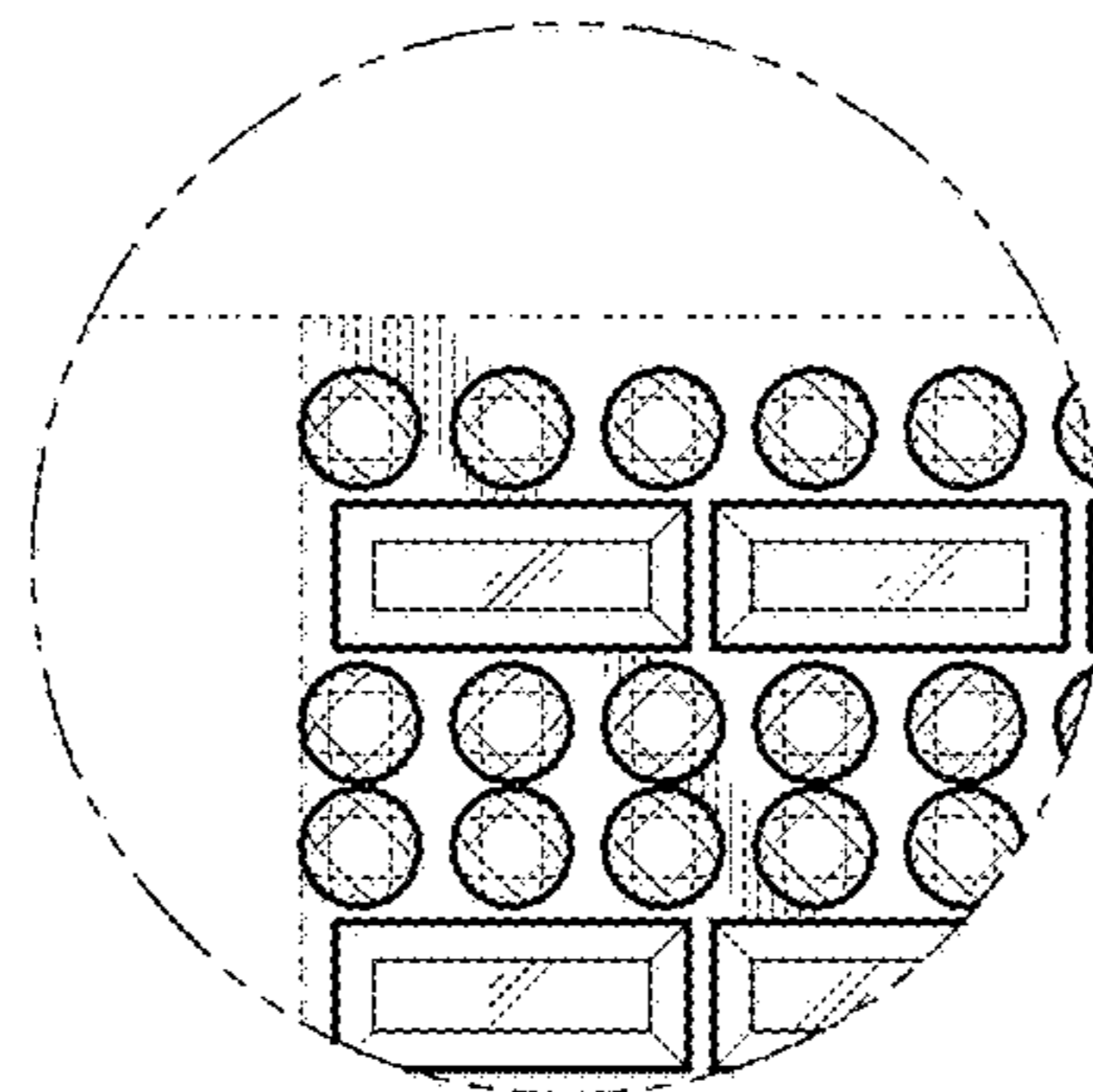


FIG. 8