

US00D856722S

(12) **United States Design Patent**
Sitter

(10) **Patent No.:** **US D856,722 S**

(45) **Date of Patent:** **** Aug. 20, 2019**

(54) **COMMERCIAL COUNTER**

D552,380 S * 10/2007 Lowsky D6/699
D609,504 S * 2/2010 Petrossian D25/16
D781,089 S * 3/2017 Hakemann D6/699.1

(71) Applicant: **Phillipp Sitter**, Pearland, TX (US)

* cited by examiner

(72) Inventor: **Phillipp Sitter**, Pearland, TX (US)

Primary Examiner — Antoine Duval Davis

(**) Term: **15 Years**

(74) *Attorney, Agent, or Firm* — Egbert, McDaniel & Swartz, PLLC

(21) Appl. No.: **29/648,878**

(22) Filed: **May 24, 2018**

(57) **CLAIM**

(51) **LOC (12) Cl.** **06-03**

The ornamental design for a commercial counter, as shown and described.

(52) **U.S. Cl.**

USPC **D6/699**

DESCRIPTION

(58) **Field of Classification Search**

USPC D10/97; D6/698, 699, 699.1, 699.2;
D14/307; D25/16, 31

CPC A47B 31/00; A47F 9/00; E04H 1/1272;
Y10T 137/3802

See application file for complete search history.

FIG. 1 is a first upper perspective view of a commercial counter showing my new design.

FIG. 2 is a front view thereof;

FIG. 3 is a left side view thereof;

FIG. 4 is a right side view thereof;

FIG. 5 is a lower perspective view thereof; and,

FIG. 6 is a second upper perspective view thereof.

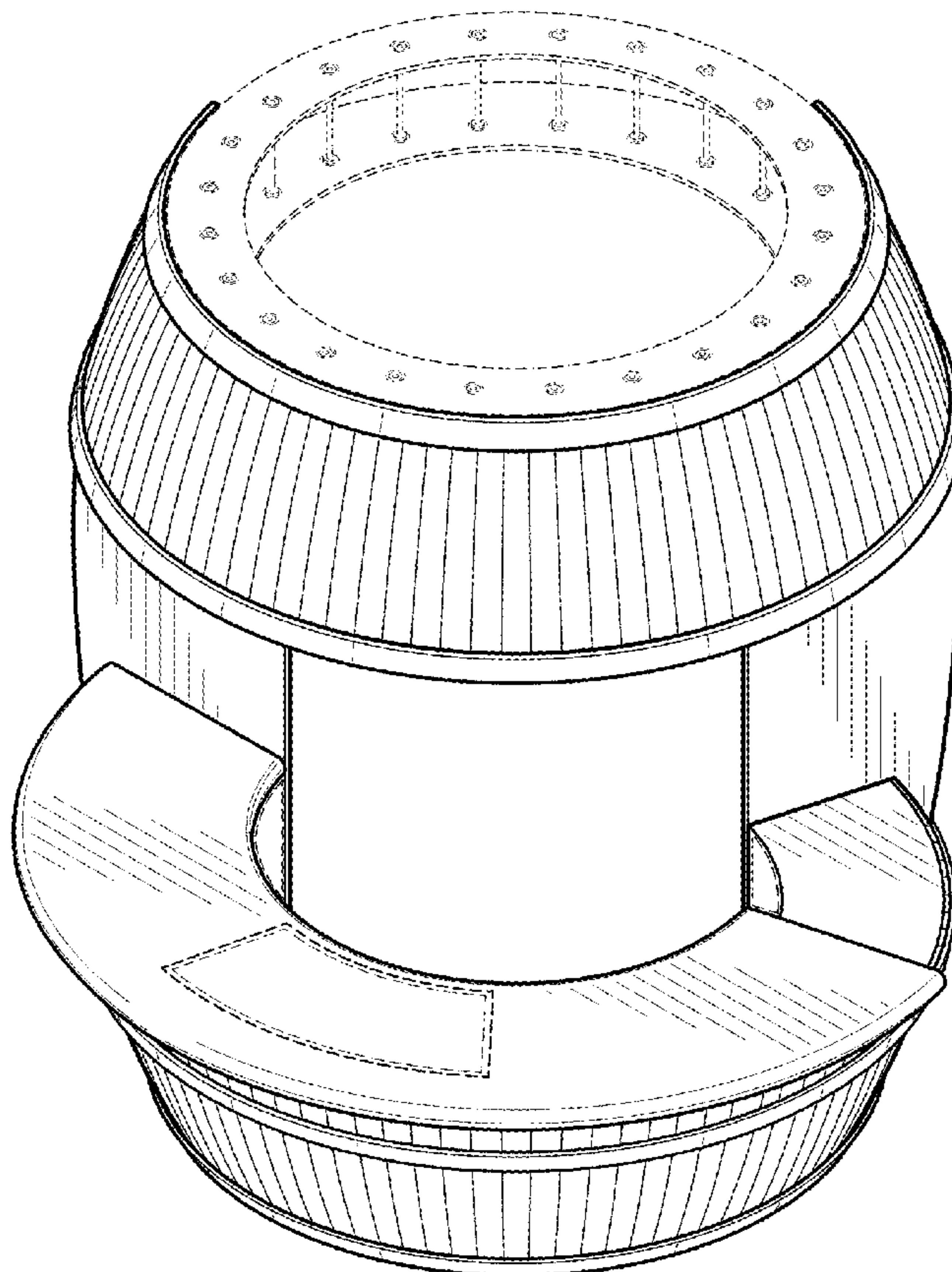
The features presented in broken lines represent unclaimed portions and surfaces of the commercial counter and form no part of the claimed design.

(56) **References Cited**

U.S. PATENT DOCUMENTS

D251,068 S * 2/1979 Mills D25/1
D288,516 S * 3/1987 Mortimer D6/699.1
D405,299 S * 2/1999 Jarvis D6/699.2

1 Claim, 4 Drawing Sheets



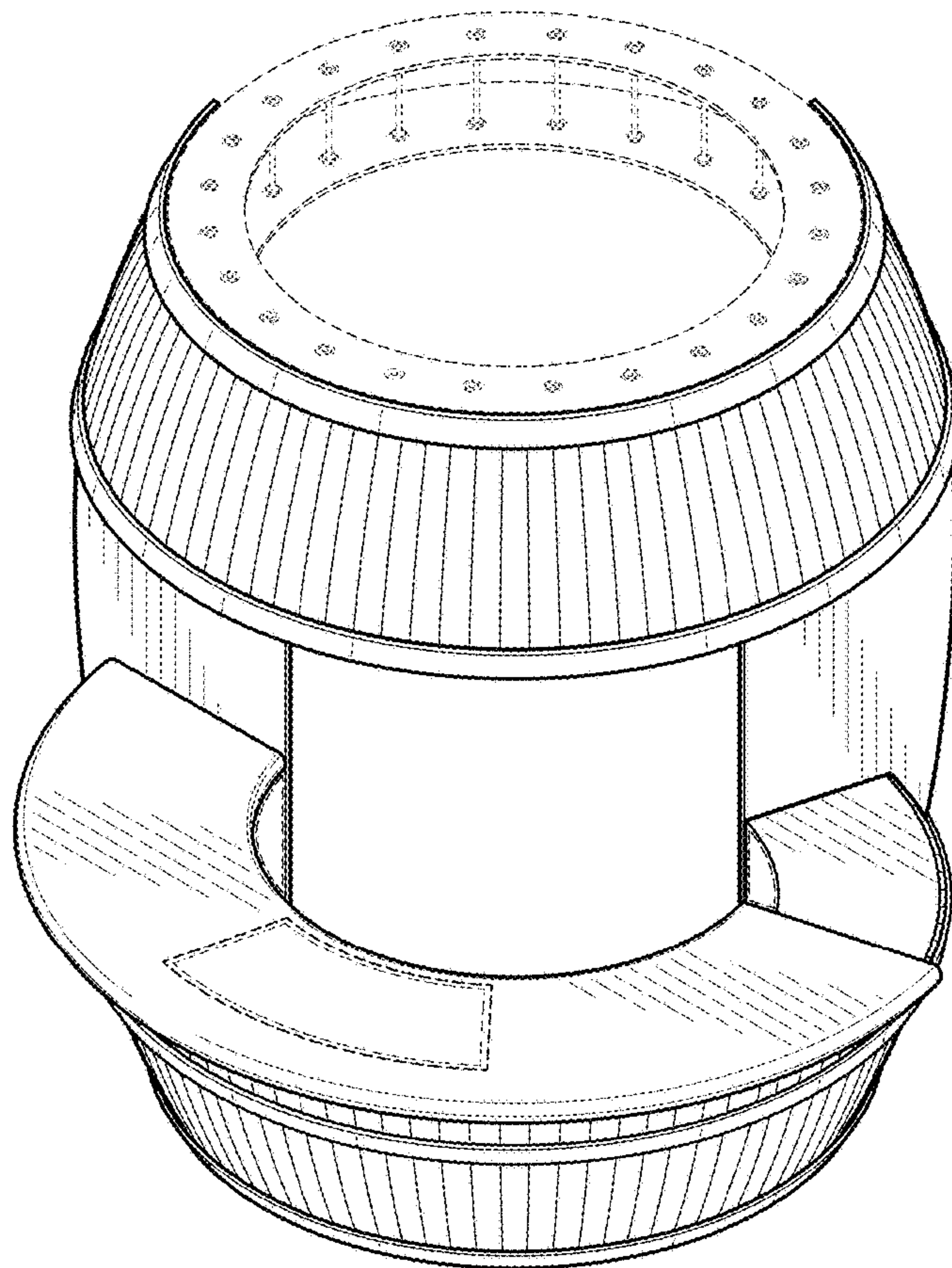


FIG. 1

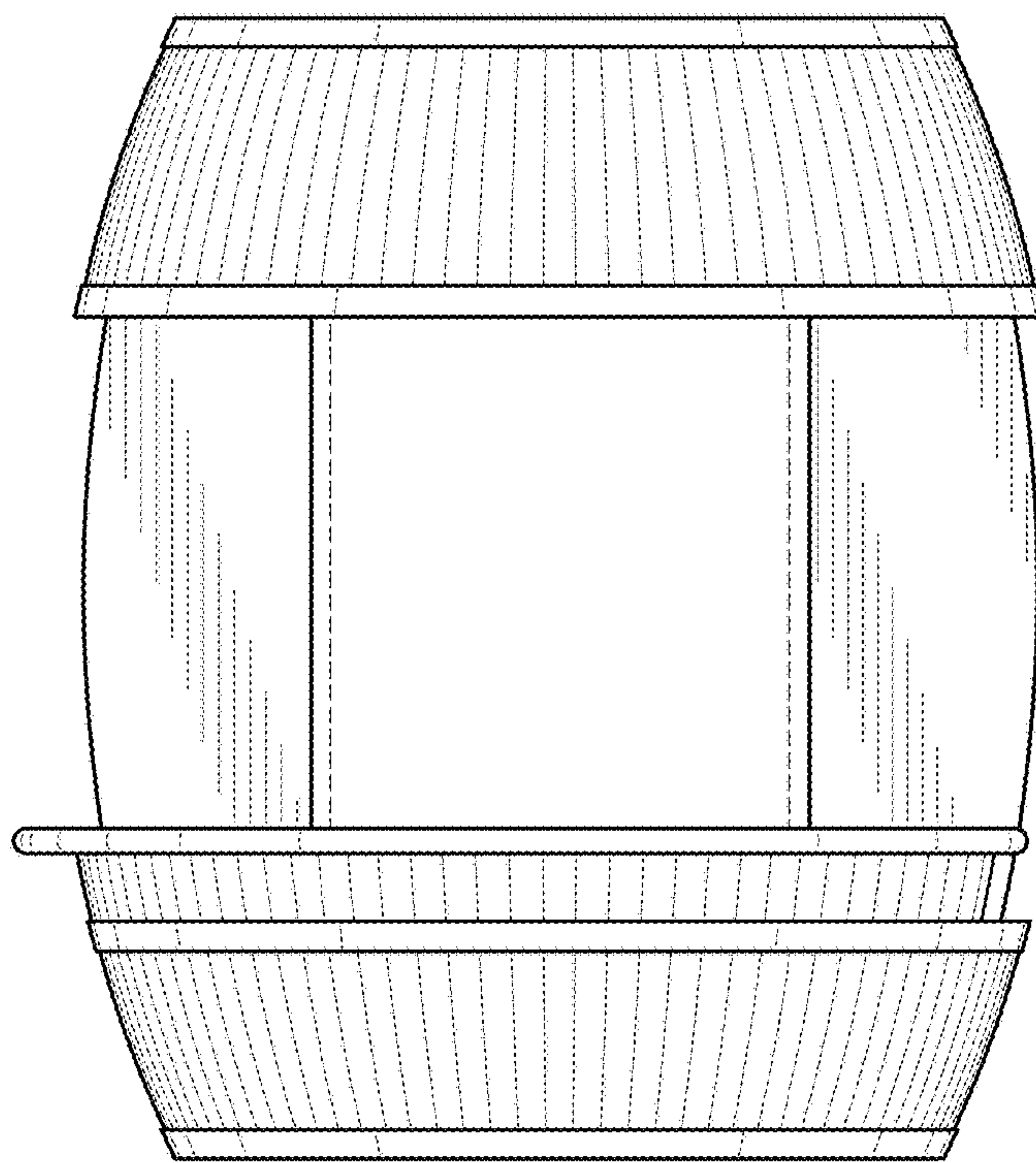


FIG. 2

FIG. 3

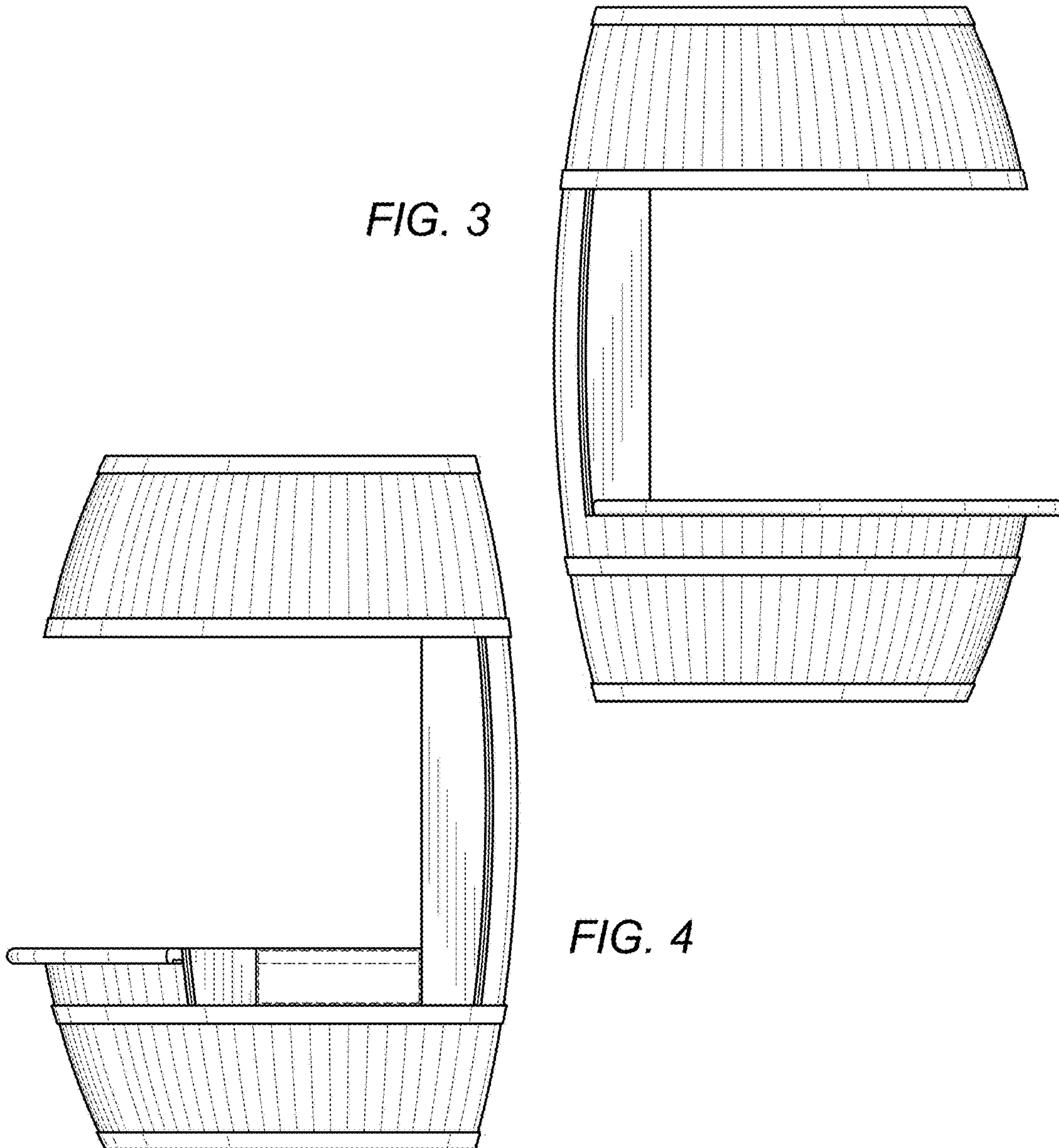


FIG. 4

FIG. 5

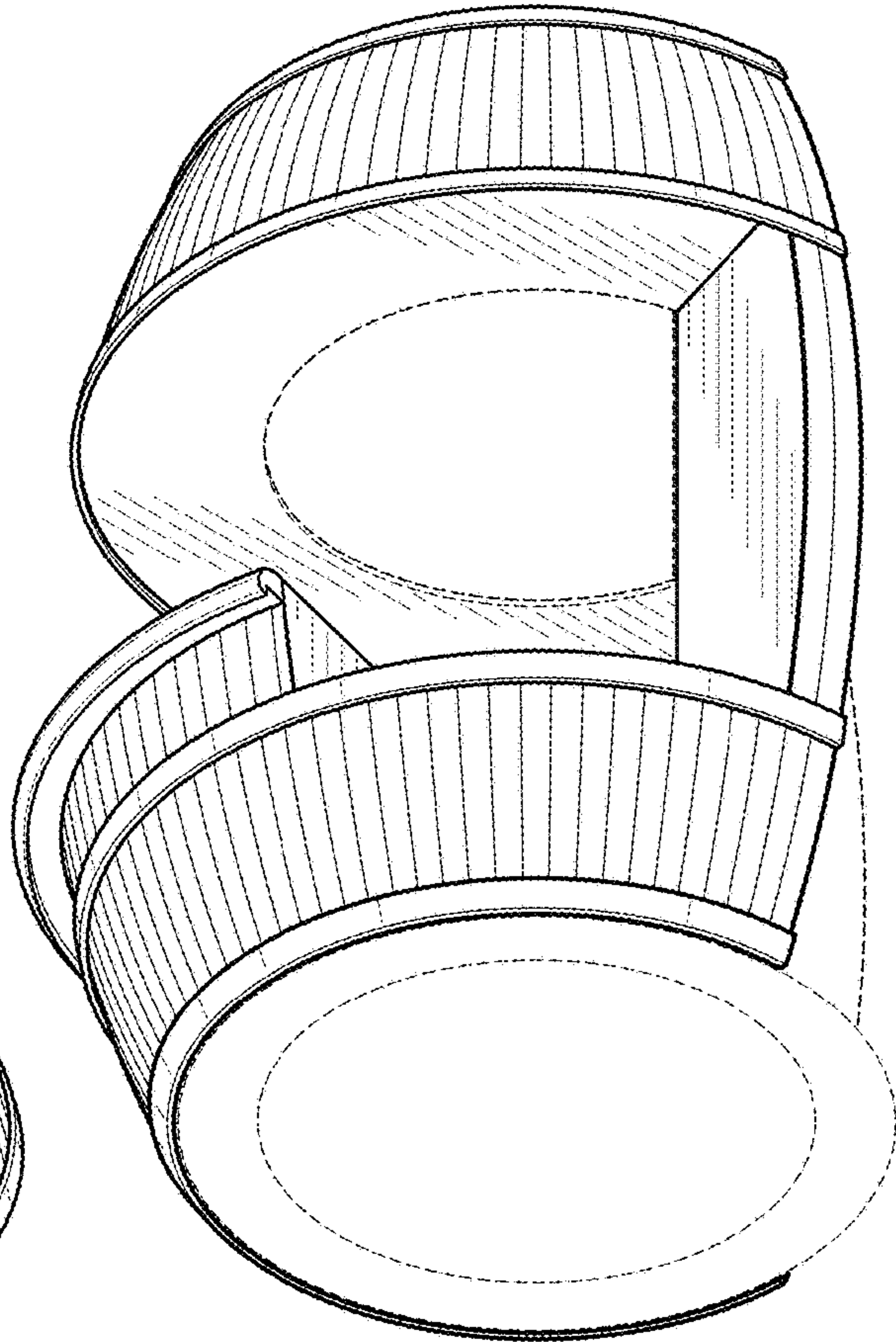


FIG. 6

