



US00D856721S

(12) **United States Design Patent** (10) **Patent No.:** **US D856,721 S**  
**Elder** (45) **Date of Patent:** **\*\* Aug. 20, 2019**

(54) **TELLER STATION**  
(71) Applicant: **E. Clay Elder**, Charlotte, NC (US)  
(72) Inventor: **E. Clay Elder**, Charlotte, NC (US)  
(\*\*) Term: **15 Years**  
(21) Appl. No.: **29/619,848**  
(22) Filed: **Oct. 2, 2017**  
(51) **LOC (12) Cl.** ..... **06-06**  
(52) **U.S. Cl.**  
USPC ..... **D6/698**  
(58) **Field of Classification Search**  
USPC ..... D6/641, 644, 647, 649, 650, 651.1,  
D6/651.2, 655, 656, 656.16, 658, 691,  
D6/692, 692.1-692.6, 695, 695.4, 697.1,  
D6/698, 699, 699.4, 702, 703, 705.1, 707,  
D6/707.2, 707.22  
CPC .. A47B 37/00; A47B 3/00; A47B 1/00; A47B  
3/06; A47B 3/08; A47B 7/00; A47B  
21/00; A47B 23/00; A47B 25/00; A47B  
13/08; A47B 3/083; A47B 3/14; A47B  
41/00; A47B 17/00; A47B 3/0809; A47B  
3/0812; A47B 2013/026; A47B 2200/03;  
A47B 2200/00; A47B 2003/0821; A47C  
3/045

See application file for complete search history.

(56) **References Cited**

**U.S. PATENT DOCUMENTS**

D248,807 S \* 8/1978 Canfield ..... D6/644  
D263,771 S \* 4/1982 Richins ..... D6/698  
D287,198 S \* 12/1986 Richins ..... D6/698  
D386,625 S \* 11/1997 Bloom ..... D6/644  
D613,964 S \* 4/2010 Nielsen ..... D6/678.1  
8,322,291 B2 \* 12/2012 Ceballos-Godefroy .....  
A47B 3/10  
108/38

D684,800 S \* 6/2013 Johnson ..... D6/699  
D736,018 S \* 8/2015 Elder ..... D6/698  
D736,019 S \* 8/2015 Elder ..... D6/698

**OTHER PUBLICATIONS**

Customer-service-counter-furniture, posted at Traviasuite.com, posted on Dec. 4, 2015, site visited Nov. 28, 2018. online, available from internet: [https://tineye.com/search/0b7c76efda7b092a6dbfd692e91d9a5c5a4688cf/?extension\\_ver=chrome-1.3.0.\\*](https://tineye.com/search/0b7c76efda7b092a6dbfd692e91d9a5c5a4688cf/?extension_ver=chrome-1.3.0.*)

Bank-design, posted at Wyrealtyhomes.com, posted on Apr. 22, 2018, site visited Nov. 28, 2018. online, available from internet: [https://tineye.com/search/86b3057582ad42afb9476438bcciff3f0e90d8f1/?extension\\_ver=chrome-1.3.0.\\*](https://tineye.com/search/86b3057582ad42afb9476438bcciff3f0e90d8f1/?extension_ver=chrome-1.3.0.*)

\* cited by examiner

*Primary Examiner* — Mary Ann Calabrese

*Assistant Examiner* — Catherine Ho

(74) *Attorney, Agent, or Firm* — Jeffrey C. Watson;  
Mathew L. Grell; Grell & Watson Patent Attorneys LLC

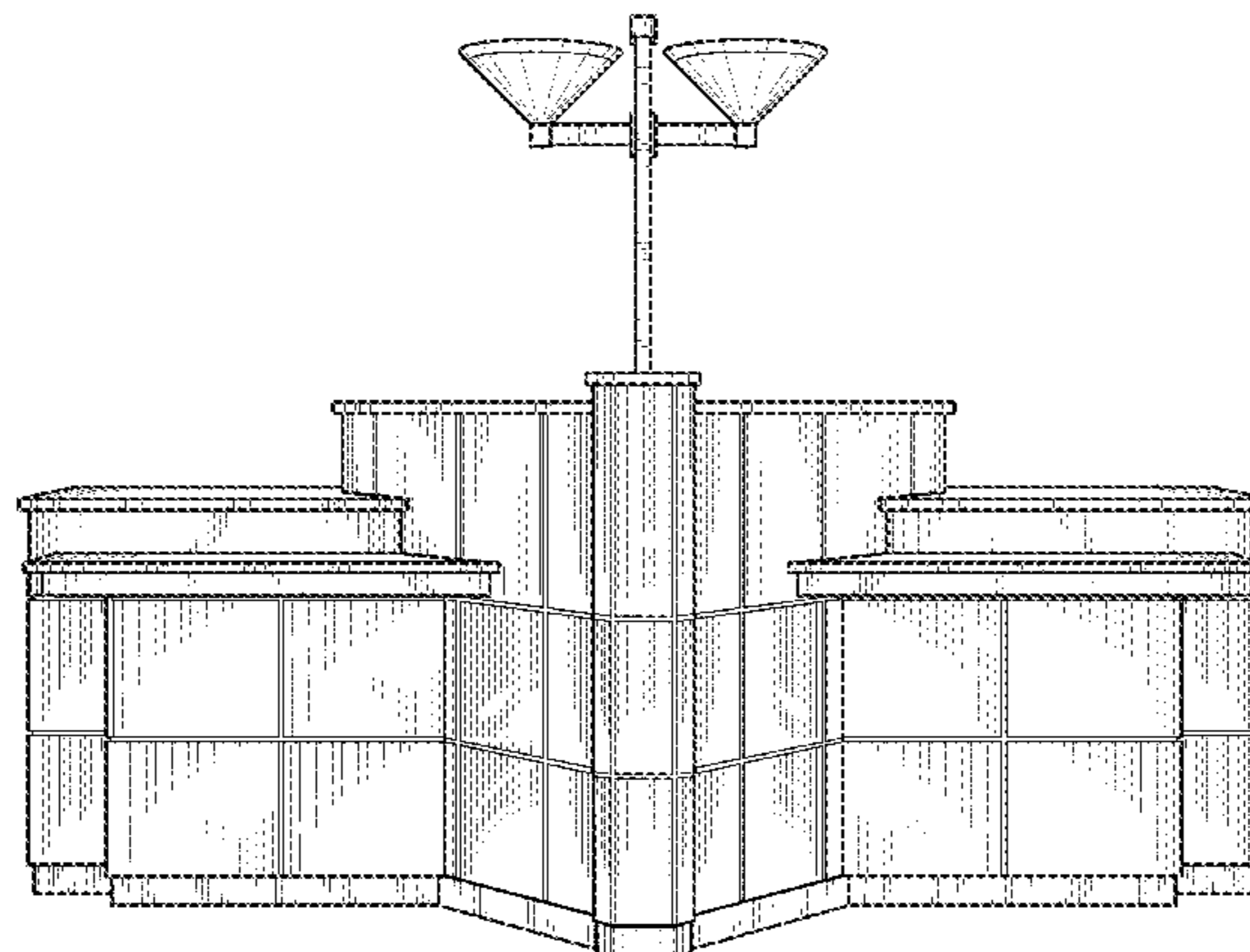
(57) **CLAIM**

The ornamental design for a teller station, as shown and described.

**DESCRIPTION**

FIG. 1 is a front perspective view of a teller station, showing my new design;  
FIG. 2 is a back perspective view thereof;  
FIG. 3 is a front view thereof;  
FIG. 4 is a left side view thereof;  
FIG. 5 is a right side view thereof;  
FIG. 6 is a top view thereof; and,  
FIG. 7 is a back view thereof.

**1 Claim, 6 Drawing Sheets**



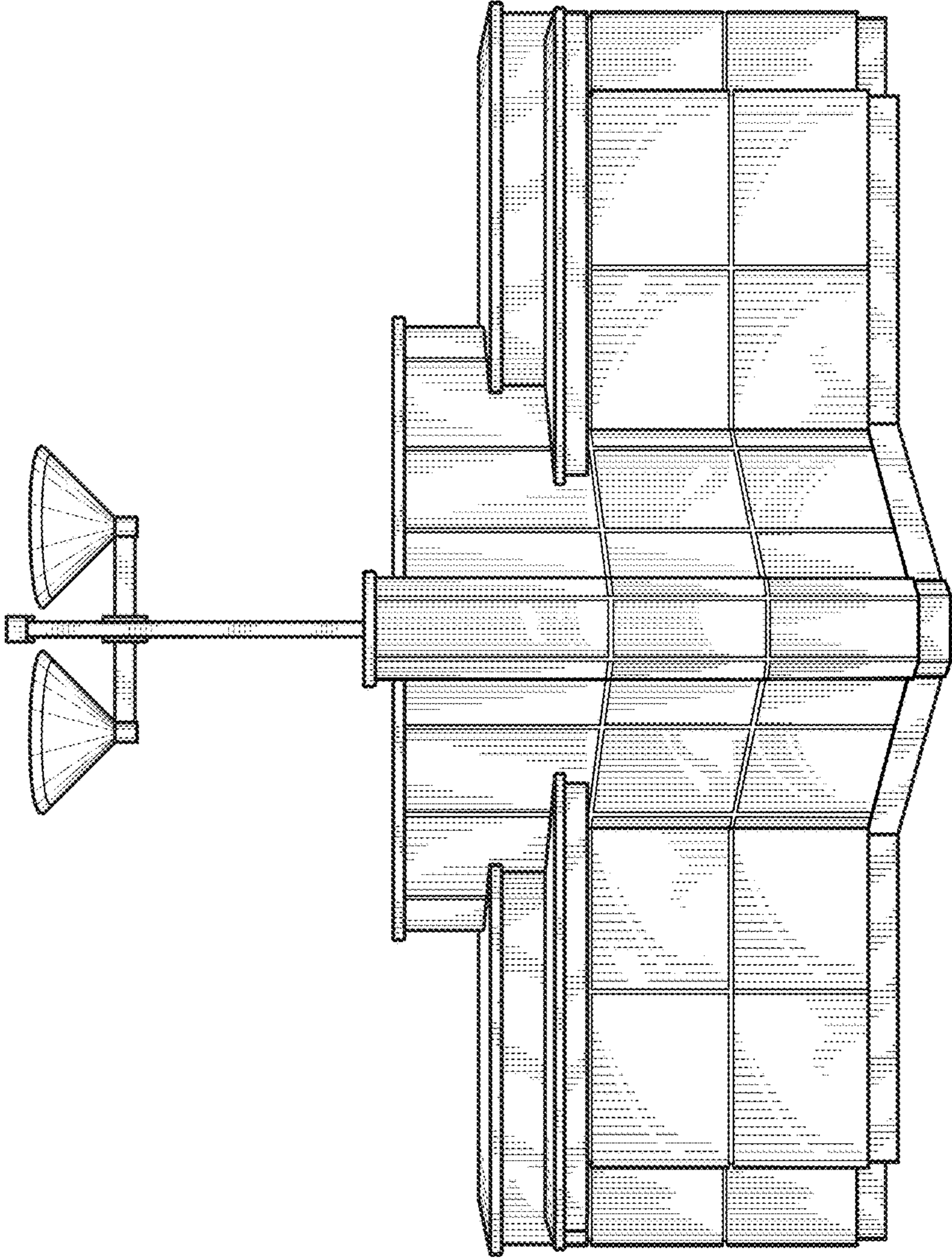


FIG. 1

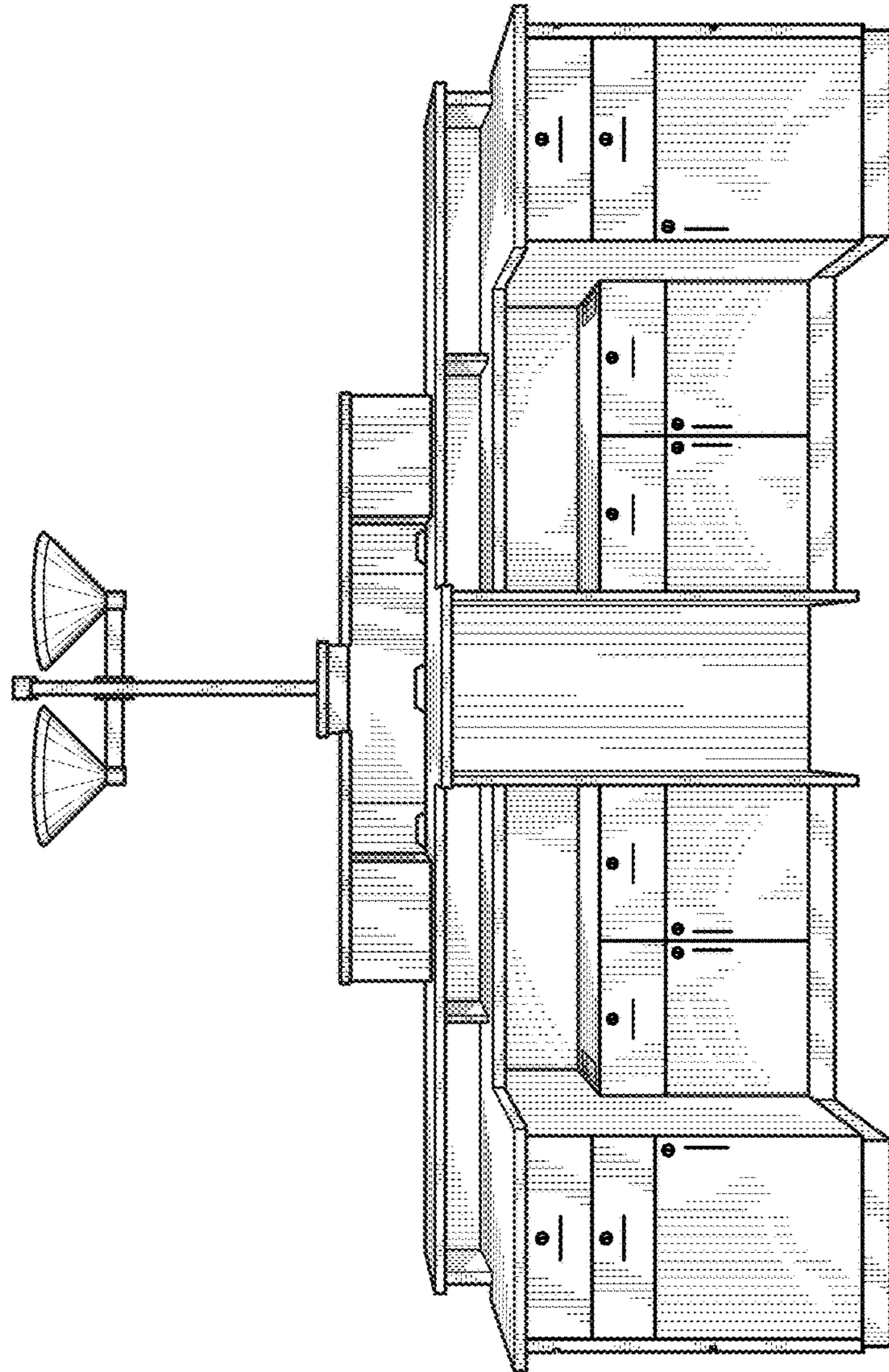


FIG. 2



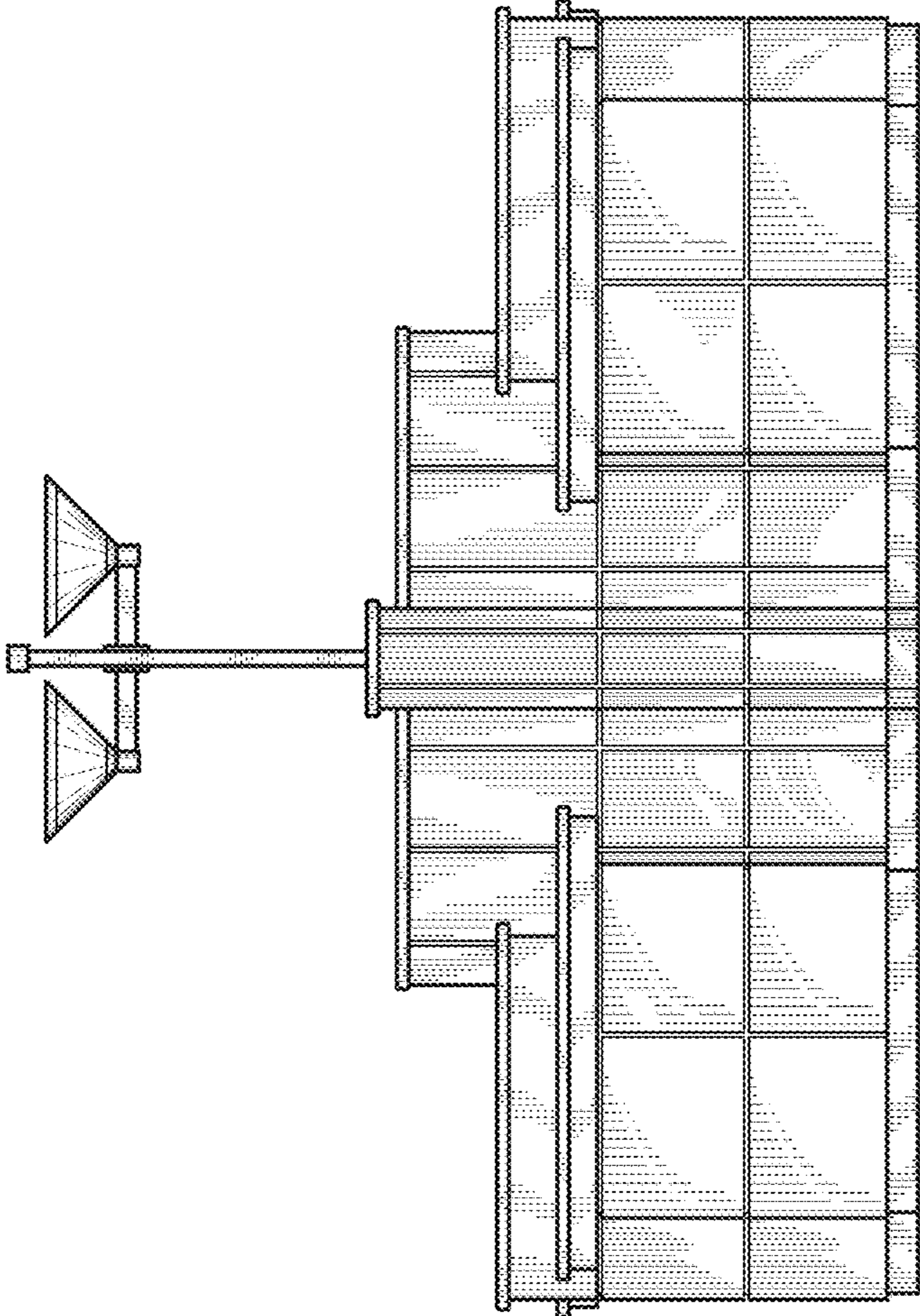


FIG. 3

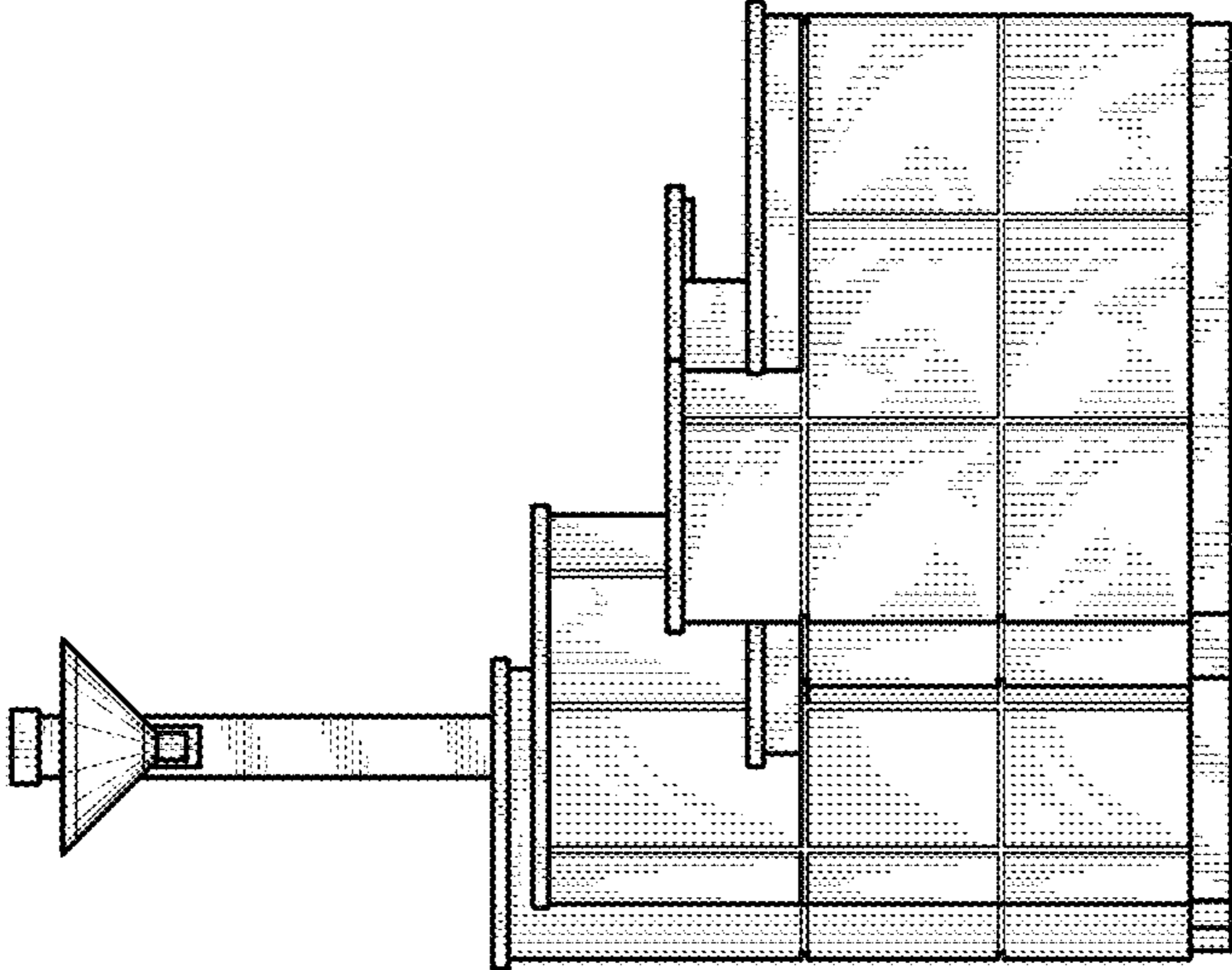


FIG. 5

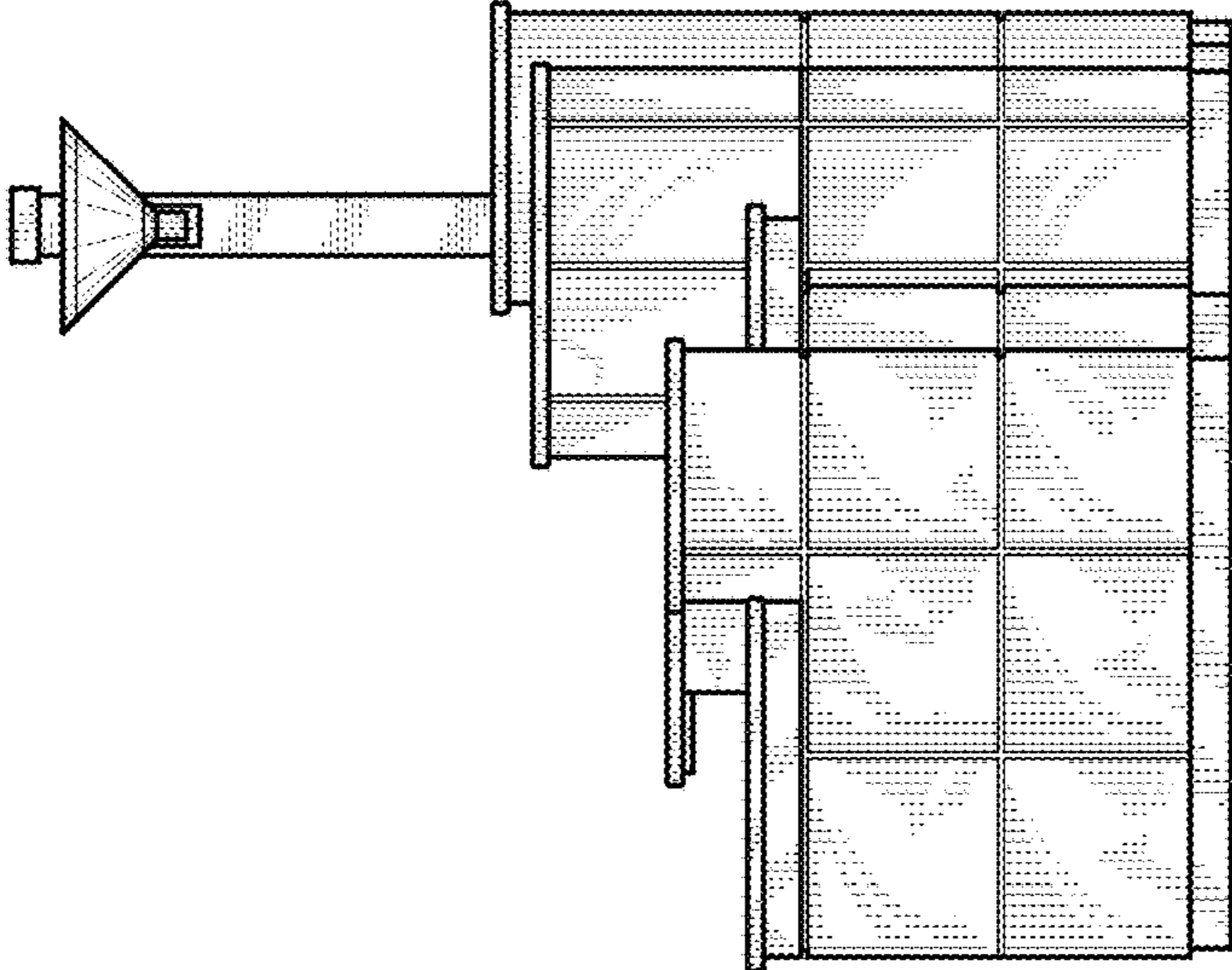


FIG. 4

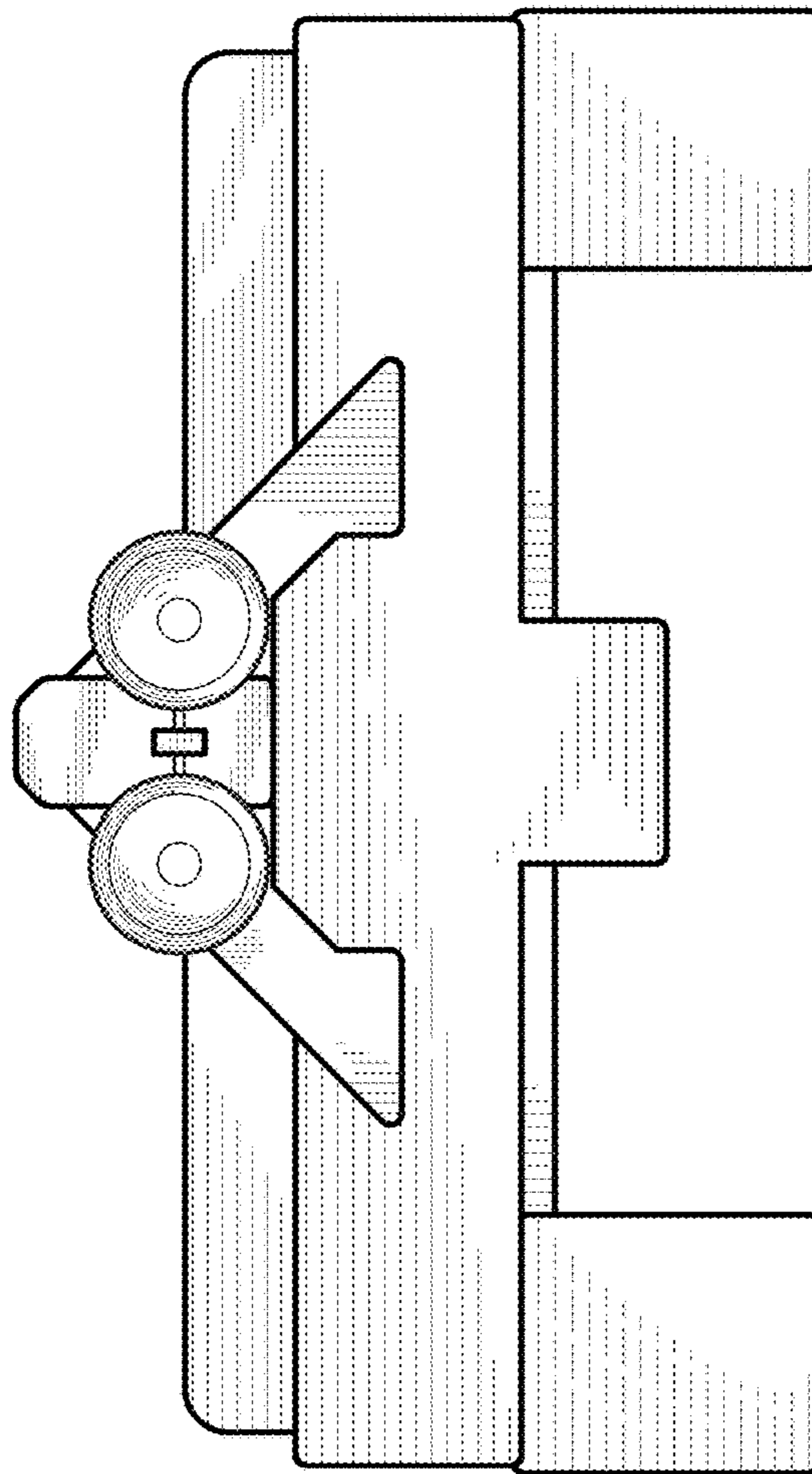


FIG. 6

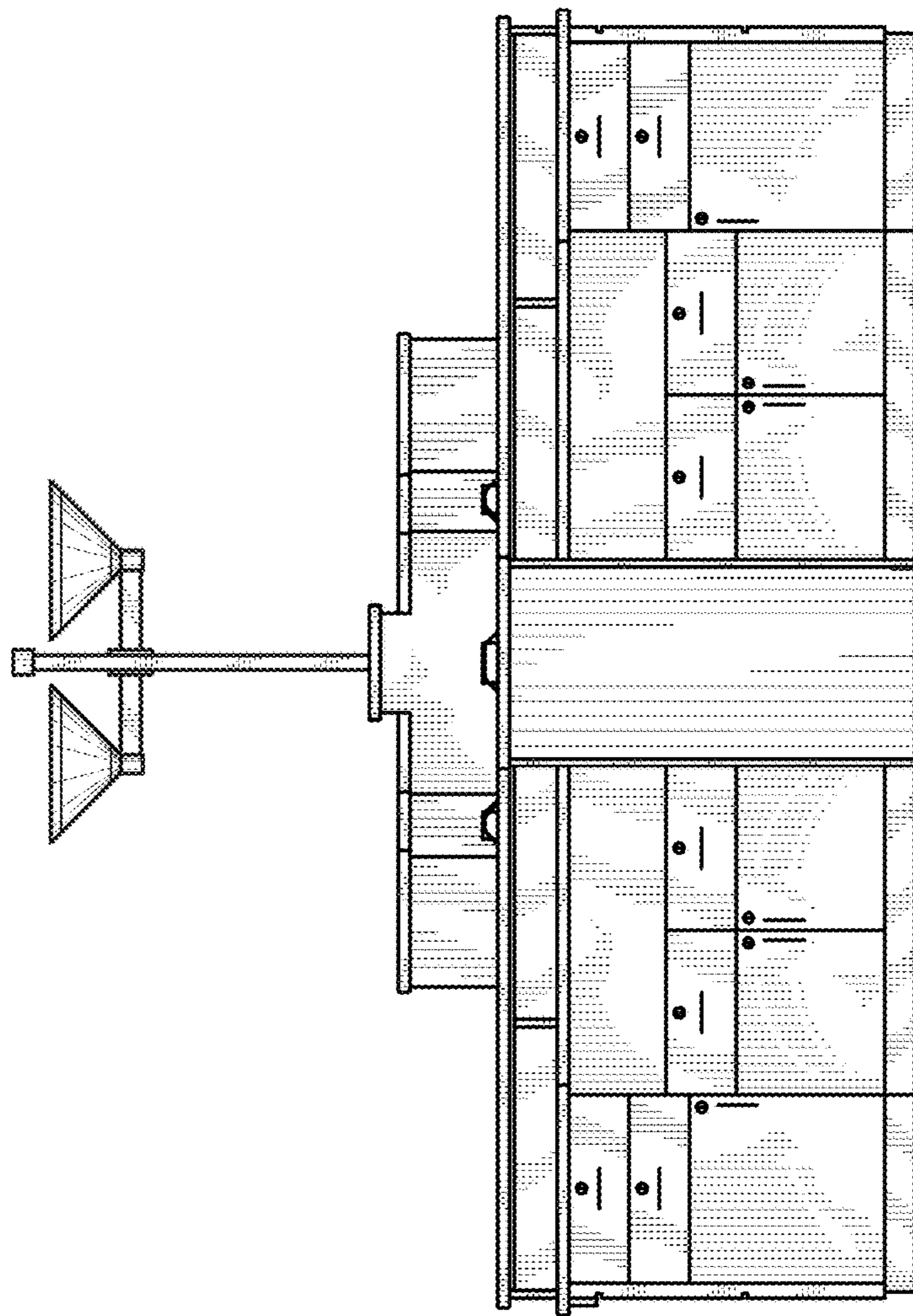


FIG. 7