



US00D856720S

(12) **United States Design Patent** (10) **Patent No.:** **US D856,720 S**  
**Velez et al.** (45) **Date of Patent:** **\*\* Aug. 20, 2019**

(54) **COCKTAIL TABLE**  
(71) Applicant: **Holly Hunt Enterprises, Inc.**, Chicago, IL (US)  
(72) Inventors: **Alberto Velez**, Chicago, IL (US); **Holly Hunt**, Chicago, IL (US)  
(73) Assignee: **Holly Hunt Enterprises, Inc.**  
(\*\*) Term: **15 Years**  
(21) Appl. No.: **29/624,811**  
(22) Filed: **Nov. 3, 2017**  
(51) **LOC (12) Cl.** ..... **06-03**  
(52) **U.S. Cl.**  
USPC ..... **D6/692**  
(58) **Field of Classification Search**  
USPC ..... D6/641, 685-687, 692, 692.1-692.6  
CPC .... A47B 7/00; A47B 7/02; A47B 7/09; A47B 13/00; A47B 13/003; A47B 13/02; A47B 13/04; A47B 13/06; A47B 13/08; A47B 13/12; A47B 21/00; A47B 2200/0001; A47B 2200/0011  
See application file for complete search history.

D291,393 S \* 8/1987 Livi ..... D6/692  
D534,380 S \* 1/2007 Guiller ..... D6/692  
D662,730 S \* 7/2012 Villiers ..... D6/692

\* cited by examiner

*Primary Examiner* — Mary Ann Calabrese  
(74) *Attorney, Agent, or Firm* — The Belles Group, P.C.

(57) **CLAIM**

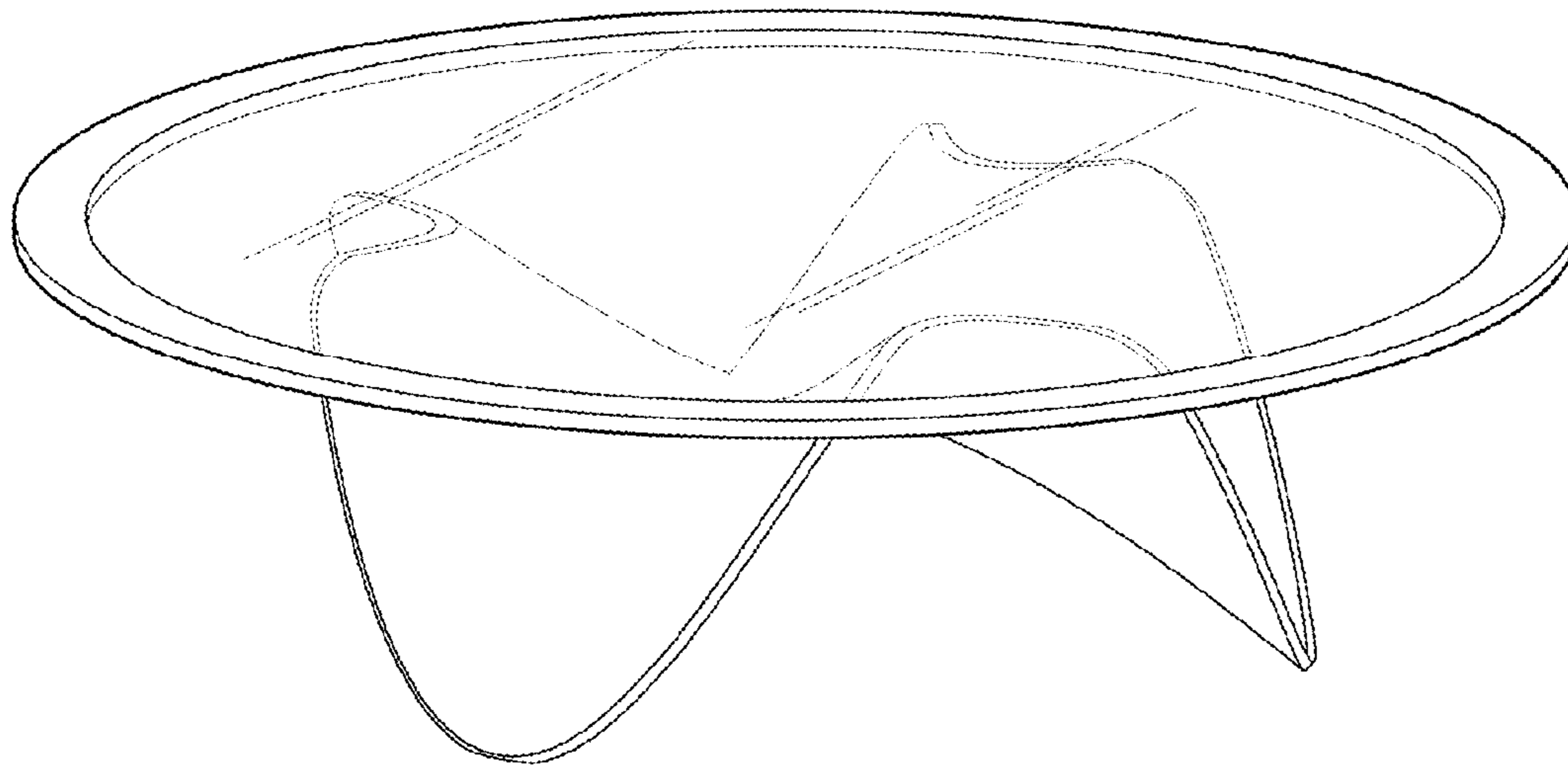
We claim the ornamental design for a cocktail table, as shown and described.

**DESCRIPTION**

FIG. 1 is a perspective view of a cocktail table of the present design.  
FIG. 2 is a front elevation view of the cocktail table of FIG. 1.  
FIG. 3 is a rear elevation view of the cocktail table of FIG. 1.  
FIG. 4 is a right side elevation view of the cocktail table of FIG. 1.  
FIG. 5 is a left side elevation view of the cocktail table of FIG. 1.  
FIG. 6 is a top plan view of the cocktail table of FIG. 1; and, FIG. 7 is a bottom plan view of the cocktail table of FIG. 1.

**1 Claim, 5 Drawing Sheets**

(56) **References Cited**  
U.S. PATENT DOCUMENTS  
D167,195 S \* 7/1952 Buell ..... D6/692.5  
D197,722 S \* 3/1964 Crawford ..... D6/692



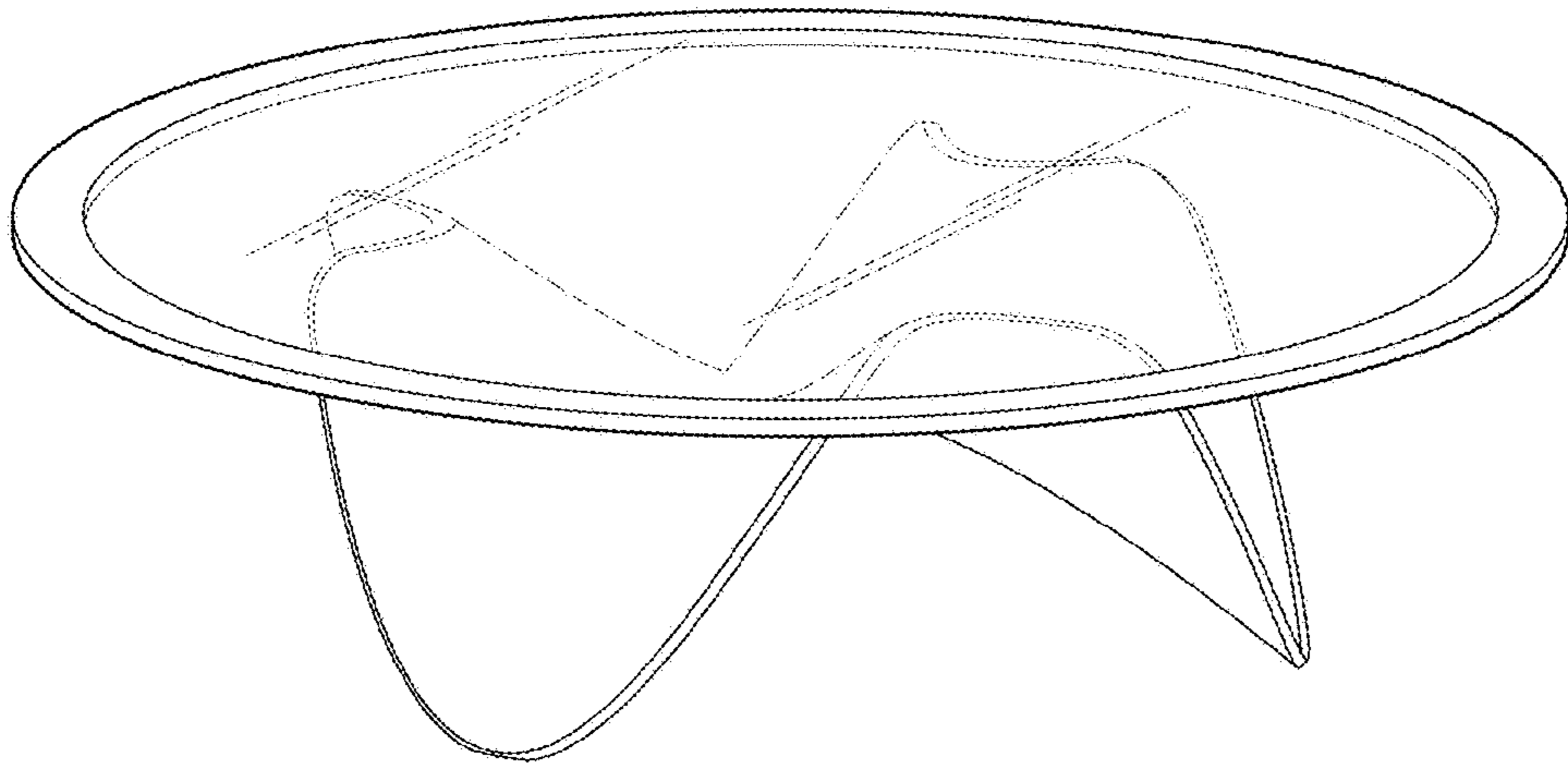


FIG. 1

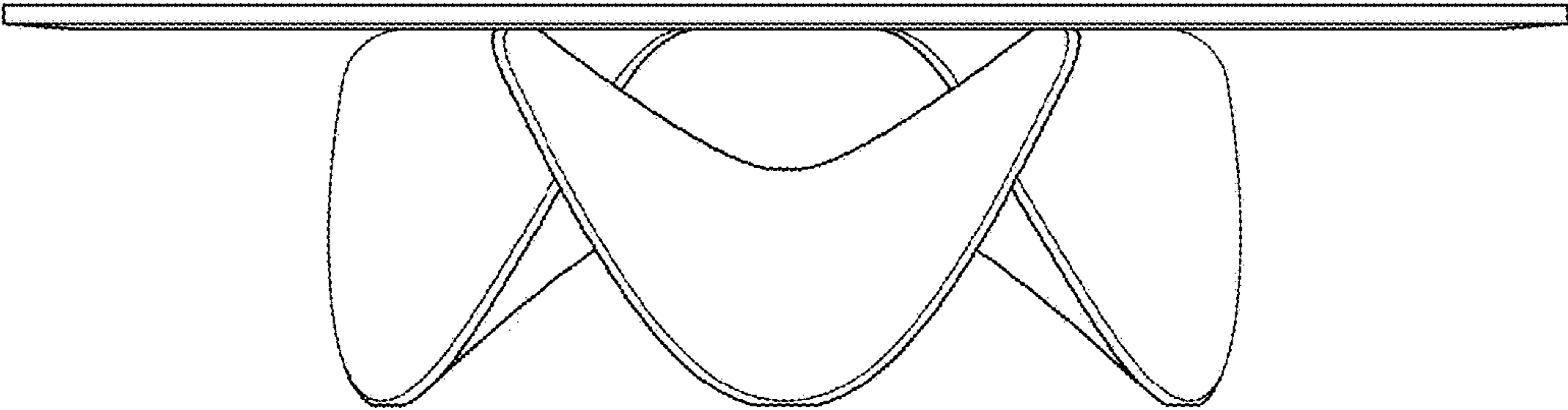


FIG. 2

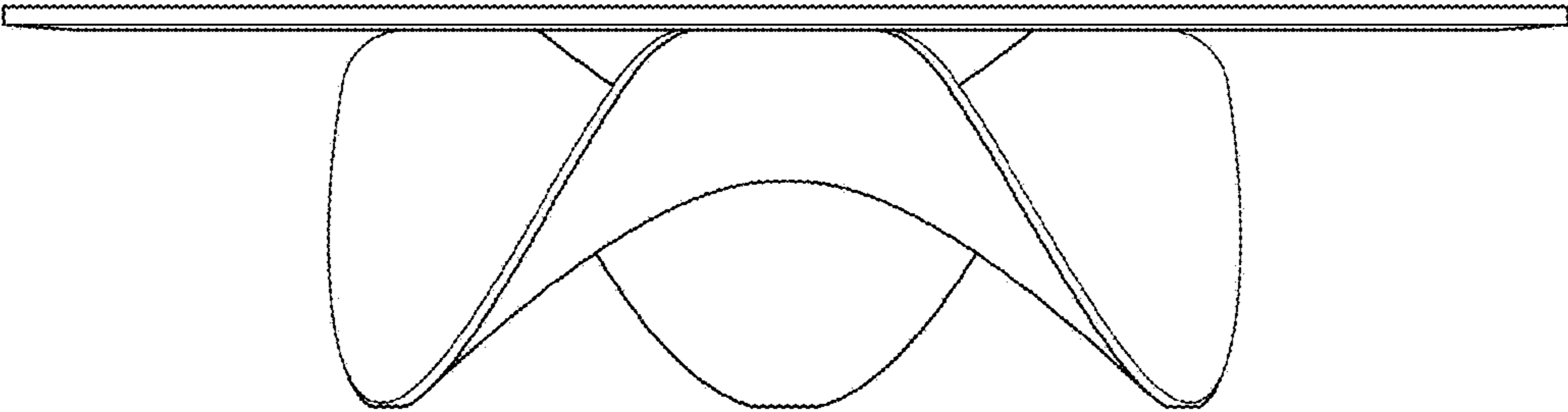


FIG. 3

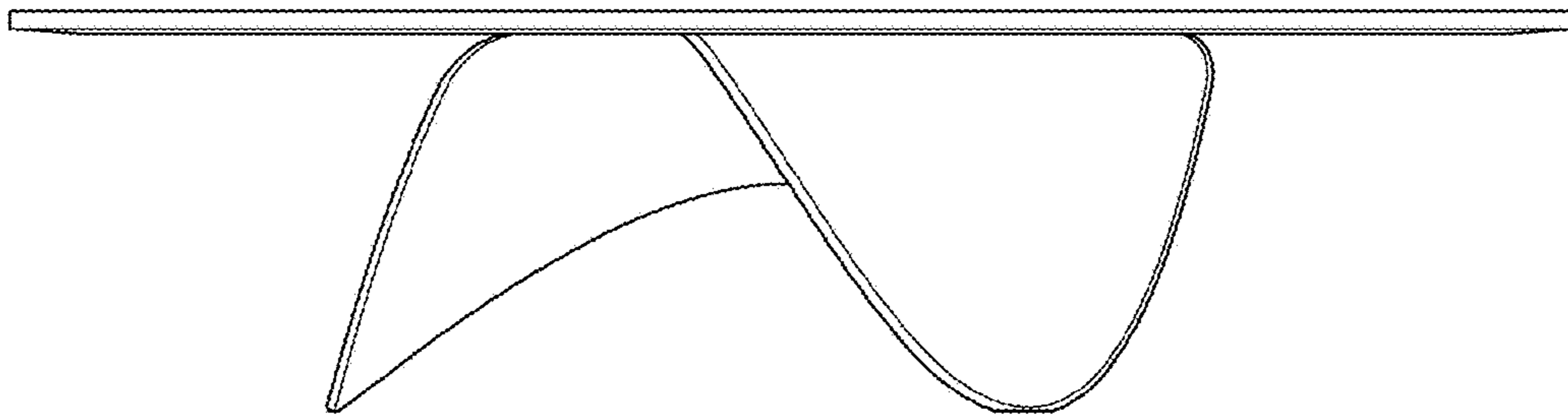


FIG. 4

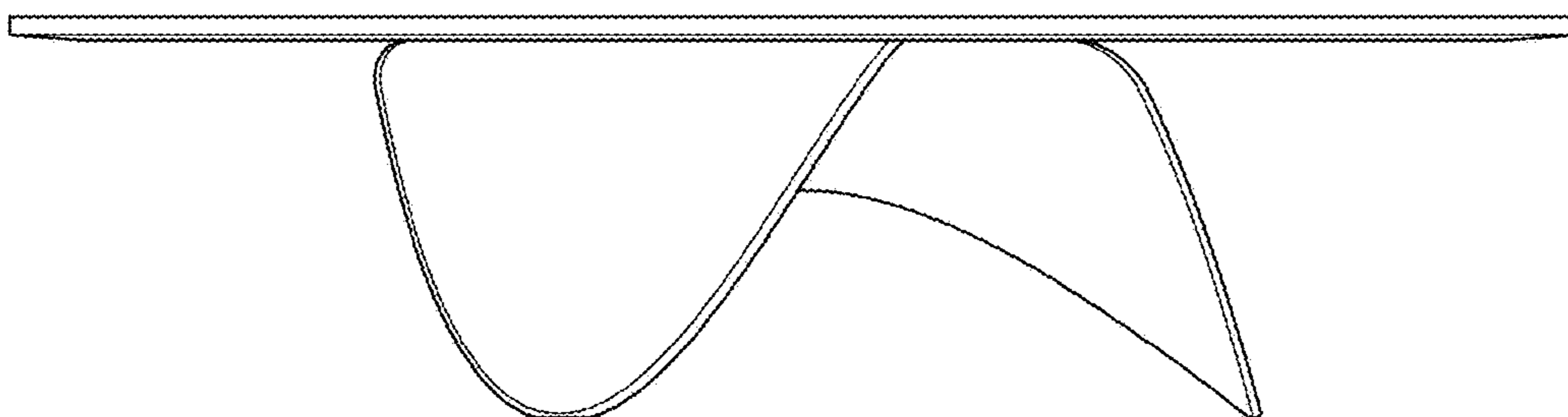


FIG. 5

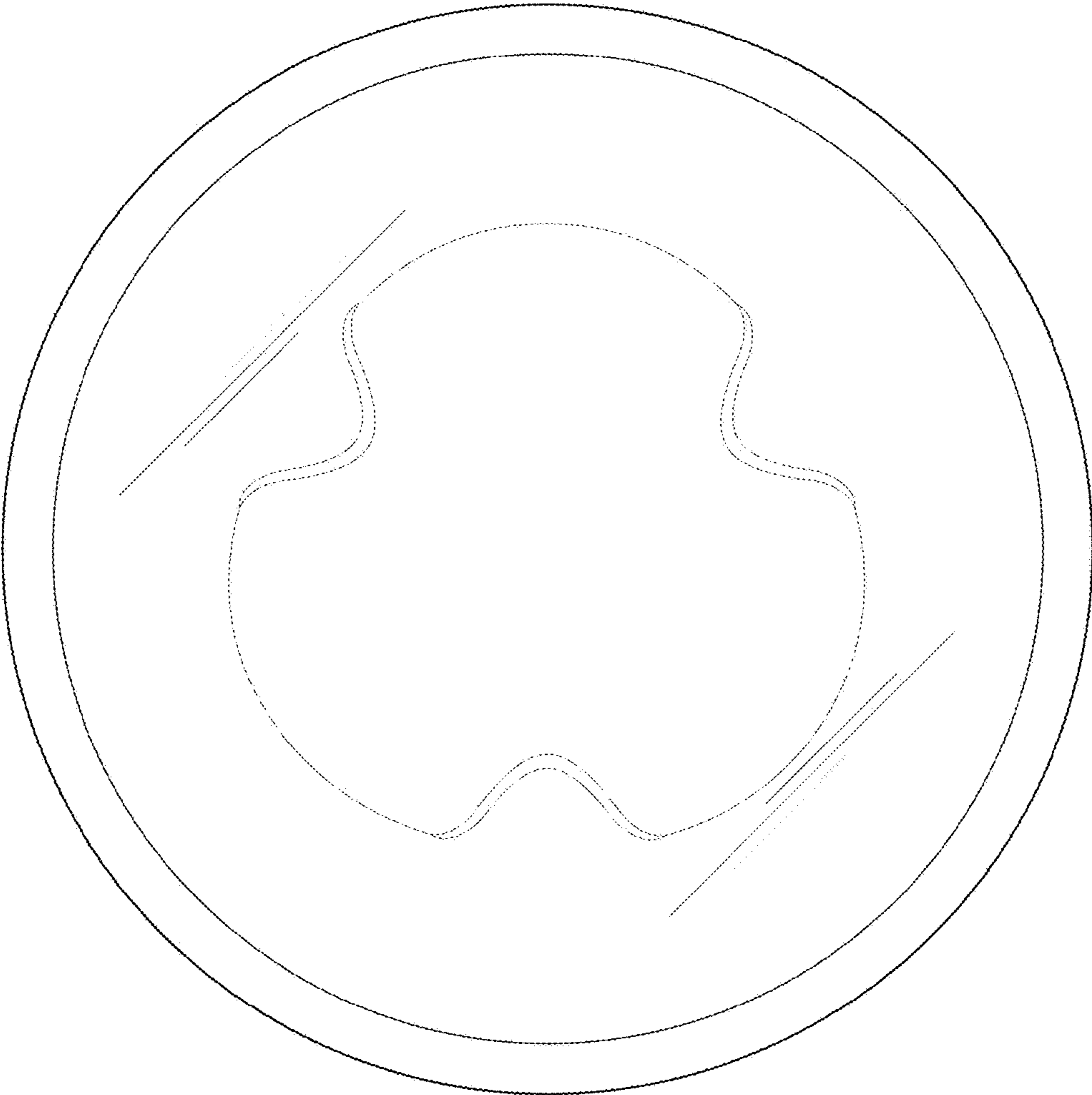


FIG. 6

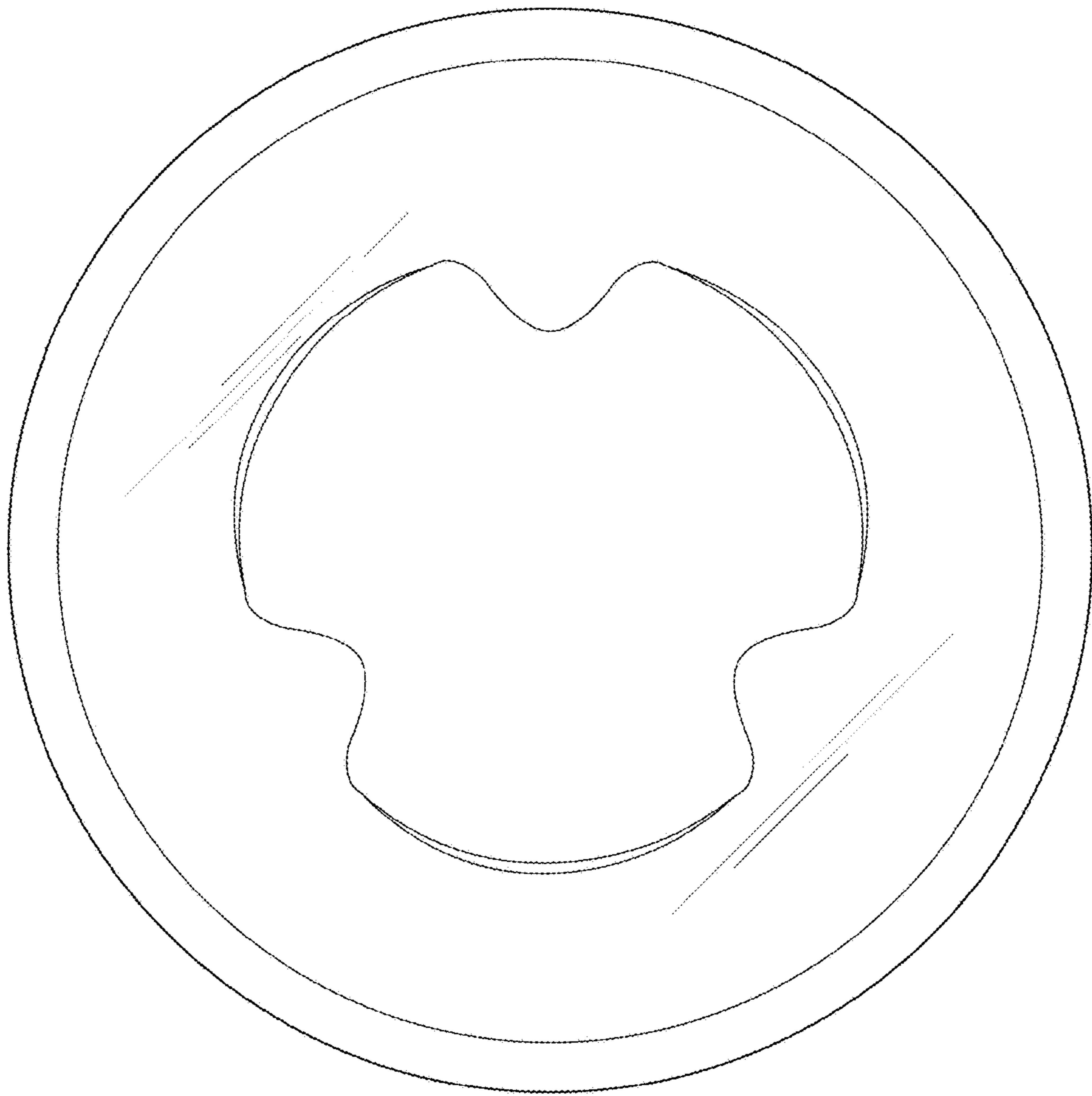


FIG. 7