

US00D856719S

(12) **United States Design Patent** (10) **Patent No.:** **US D856,719 S**  
**Seniff et al.** (45) **Date of Patent:** **\*\* Aug. 20, 2019**

(54) **PORTABLE TABLE**

(56) **References Cited**

(71) Applicants: **Tyler J. Seniff**, North Liberty, IN (US);  
**Jay F. Seniff**, Rolling Prairie, IN (US);  
**Grant T. Seniff**, Rolling Prairie, IN  
(US); **Jarrel Mead**, North Liberty, IN  
(US)

U.S. PATENT DOCUMENTS

2,911,265 A \* 11/1959 Hannah ..... A47B 3/12  
182/186.5  
D213,704 S \* 4/1969 Barghout ..... D6/691.5  
4,191,113 A \* 3/1980 Hogberg ..... A47C 4/021  
108/157.16  
D398,453 S \* 9/1998 Stead ..... D6/349  
D463,166 S \* 9/2002 Russell ..... A47C 4/021  
D6/690  
D565,331 S \* 4/2008 Miller ..... D6/690  
D690,543 S \* 10/2013 Meissner ..... D6/690  
D775,486 S \* 1/2017 Seniff ..... A47B 3/12  
D6/691.5

(72) Inventors: **Tyler J. Seniff**, North Liberty, IN (US);  
**Jay F. Seniff**, Rolling Prairie, IN (US);  
**Grant T. Seniff**, Rolling Prairie, IN  
(US); **Jarrel Mead**, North Liberty, IN  
(US)

(73) Assignee: **TakeAway Tables, Inc.**, Chicago, IL  
(US)

\* cited by examiner

*Primary Examiner* — Mary Ann Calabrese

(\*\*) Term: **15 Years**

(74) *Attorney, Agent, or Firm* — Crump Law P.C.

(21) Appl. No.: **29/566,382**

(57) **CLAIM**

We claim the ornamental design for a portable table, as shown and described.

(22) Filed: **May 28, 2016**

(51) **LOC (12) Cl.** ..... **06-03**

(52) **U.S. Cl.**  
USPC ..... **D6/691.5**

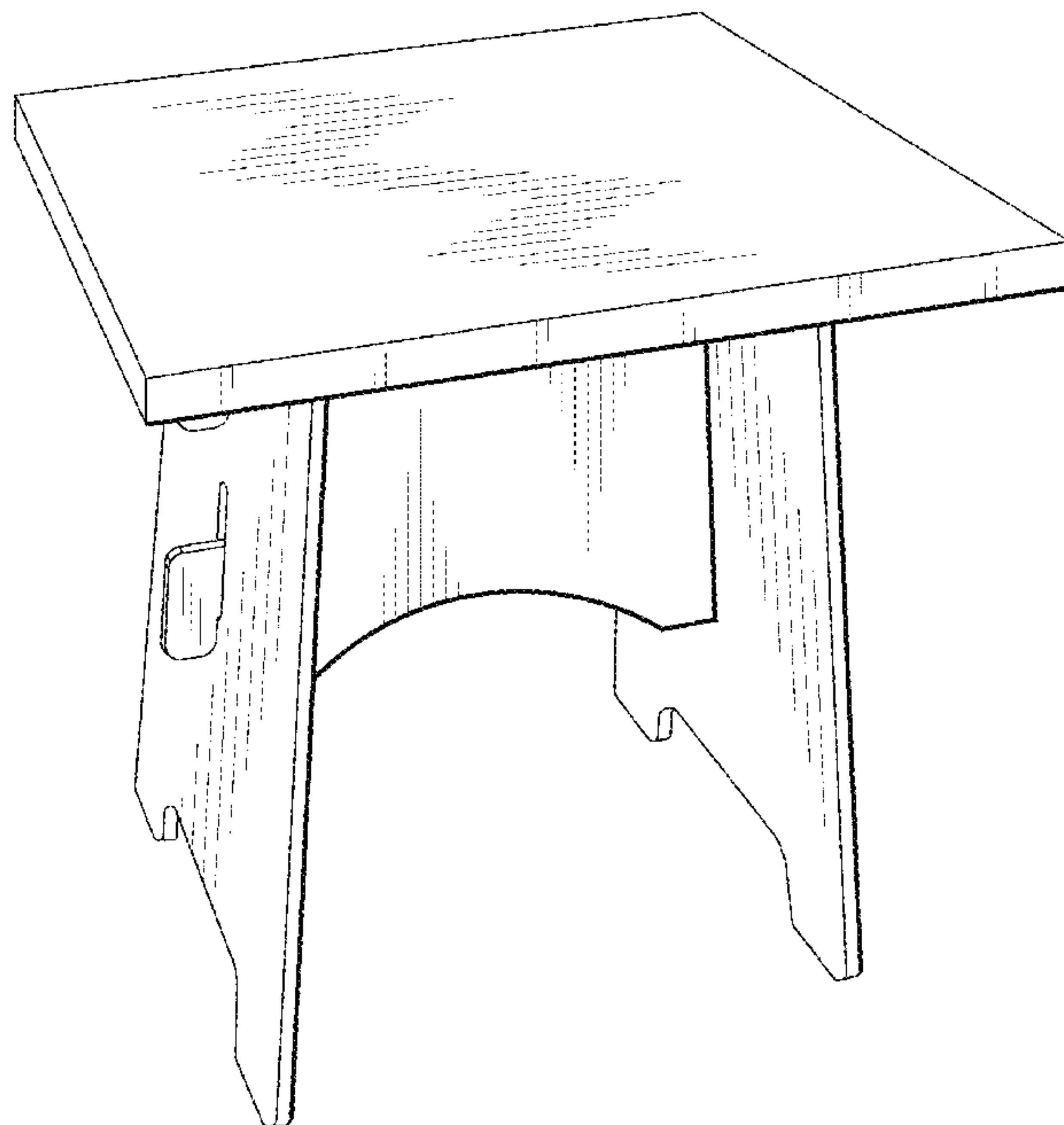
**DESCRIPTION**

(58) **Field of Classification Search**  
USPC ... D6/349, 685–687, 690, 691, 691.1–691.9,  
D6/708  
CPC .... A47B 1/00; A47B 3/00; A47B 3/06; A47B  
3/12; A47B 7/00; A47B 13/00; A47B  
13/003; A47B 13/02; A47B 13/04; A47B  
13/08; A47B 2200/0011; A47B  
2200/0016; A47B 2200/0017; A47C  
4/021

FIG. 1 is a perspective view of a portable table showing my design;  
FIG. 2 is a right side view thereof;  
FIG. 3 is a left side view thereof;  
FIG. 4 is a front view thereof;  
FIG. 5 is a back end view thereof;  
FIG. 6 is a top view thereof; and,  
FIG. 7 is a bottom view thereof.  
The broken lines show portions of the portable table that form no part of the claimed design.

See application file for complete search history.

**1 Claim, 4 Drawing Sheets**



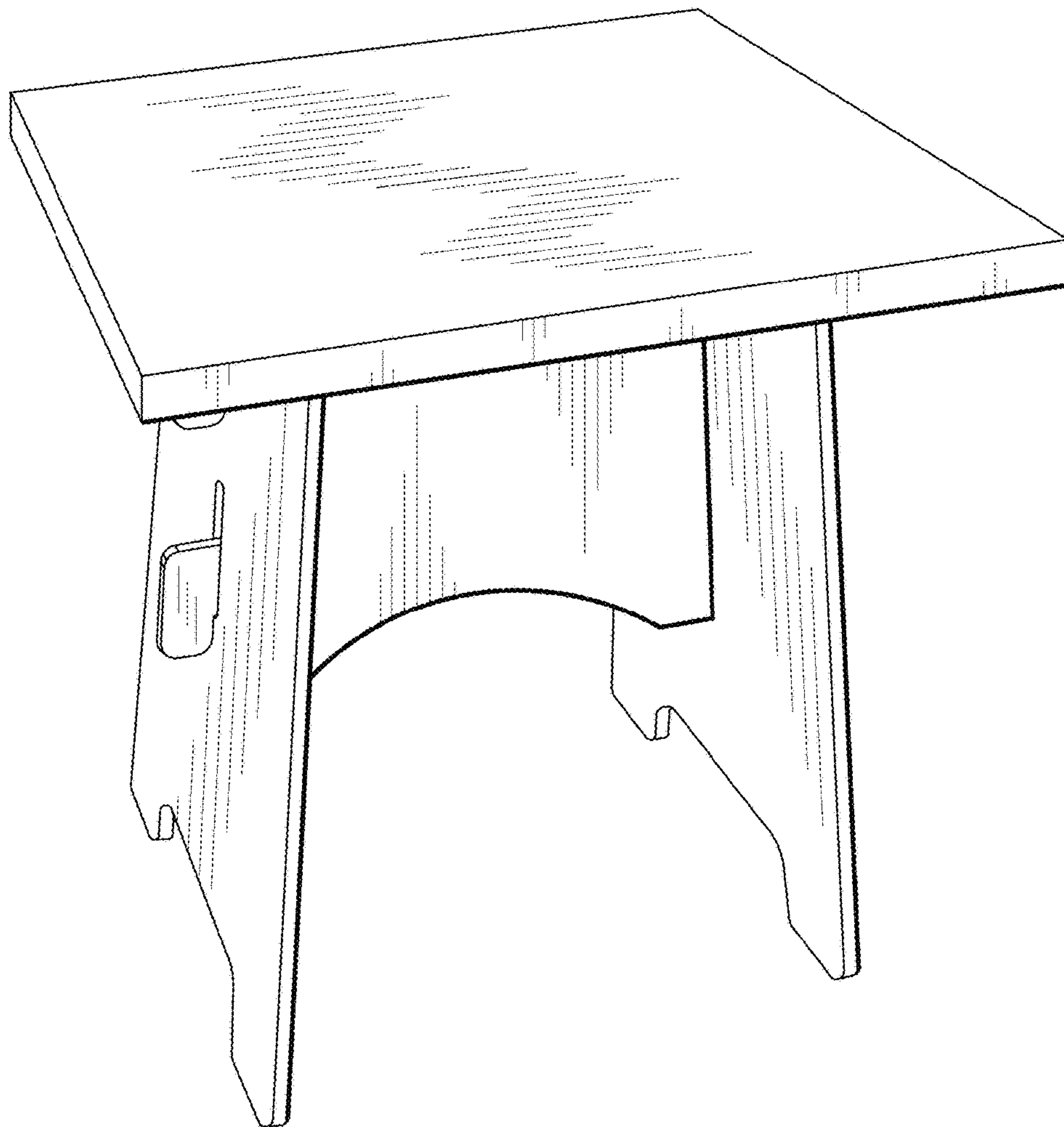


Fig. 1

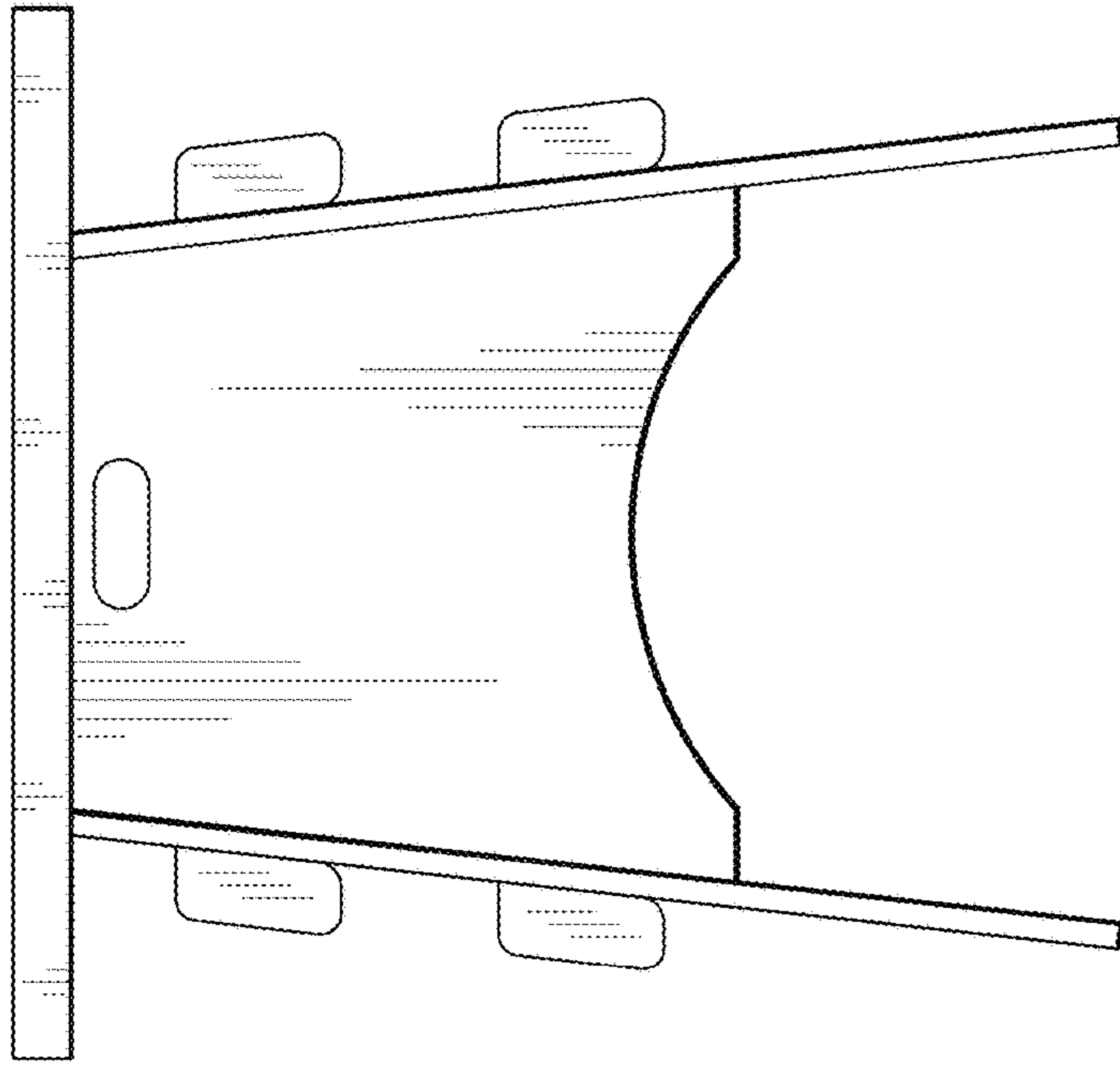


Fig. 3

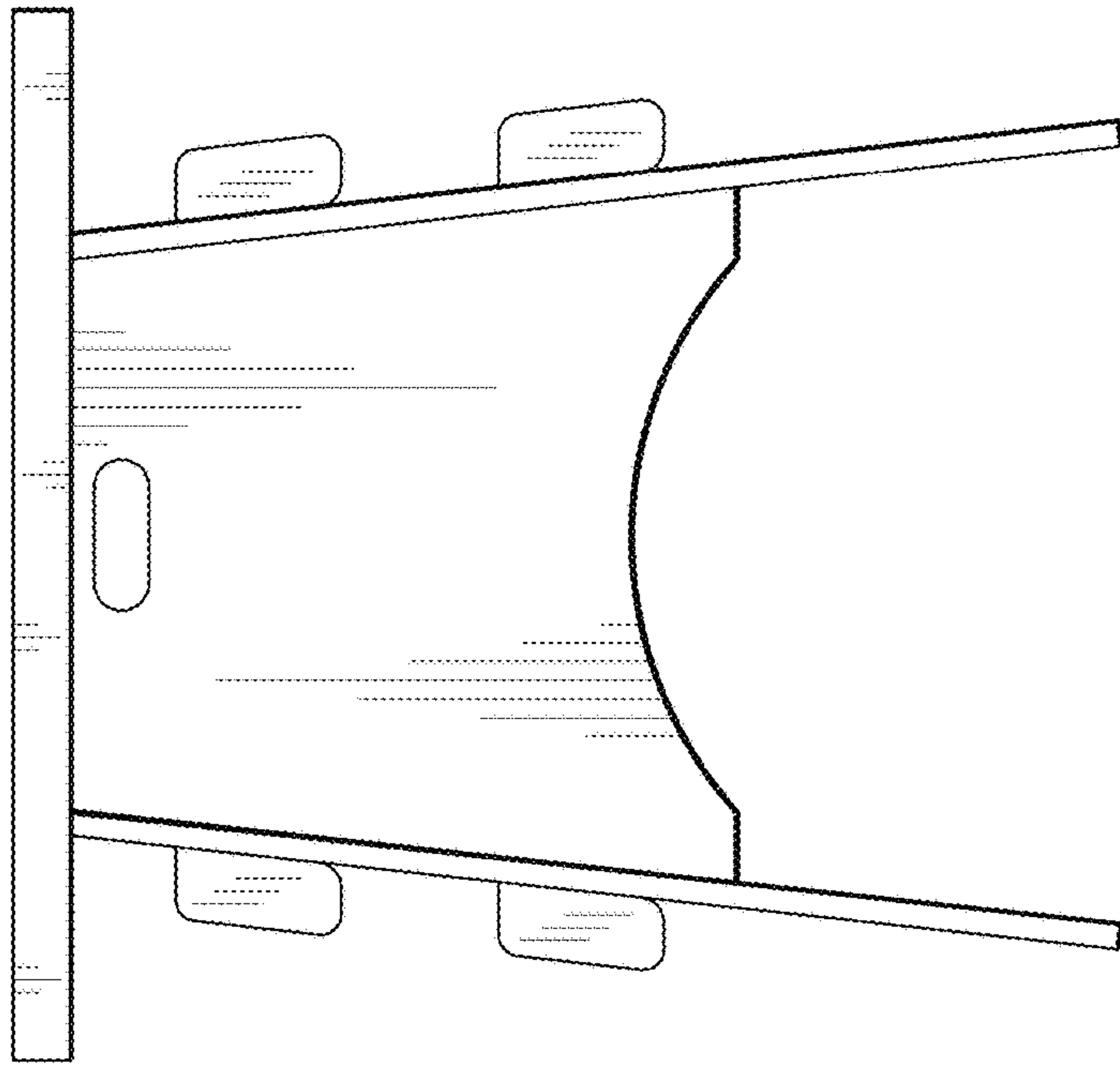


Fig. 2

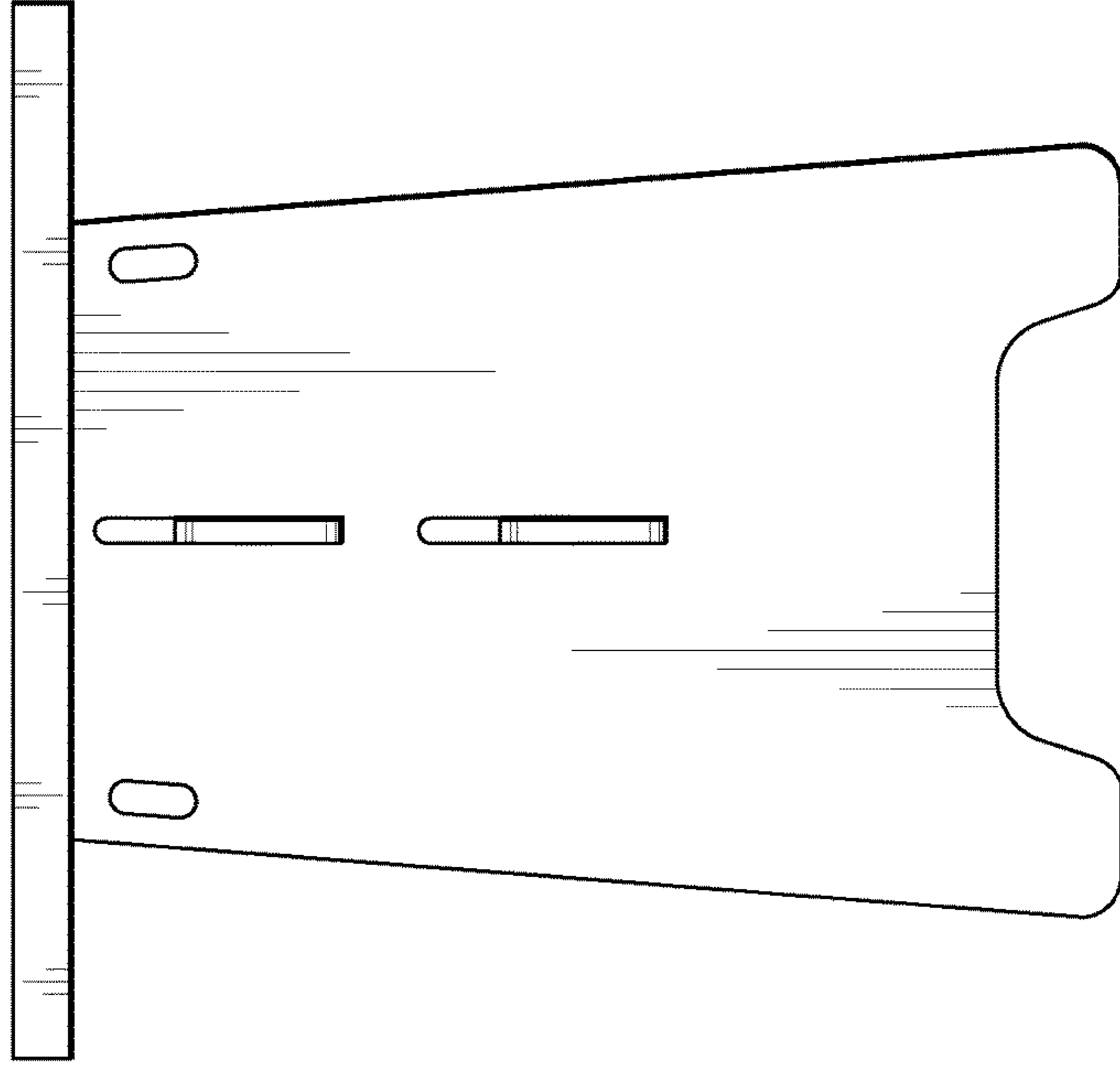


Fig. 5

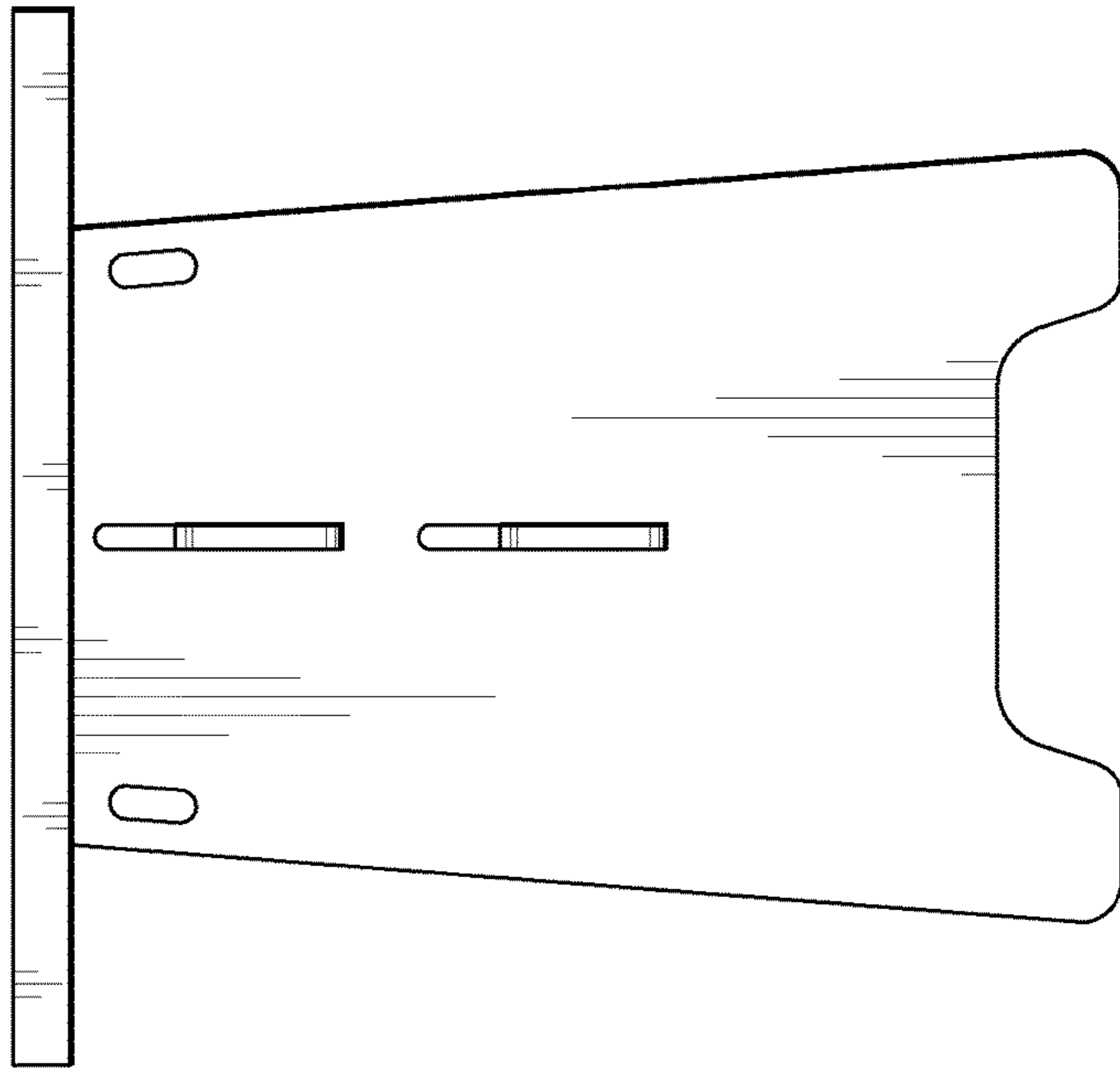


Fig. 4

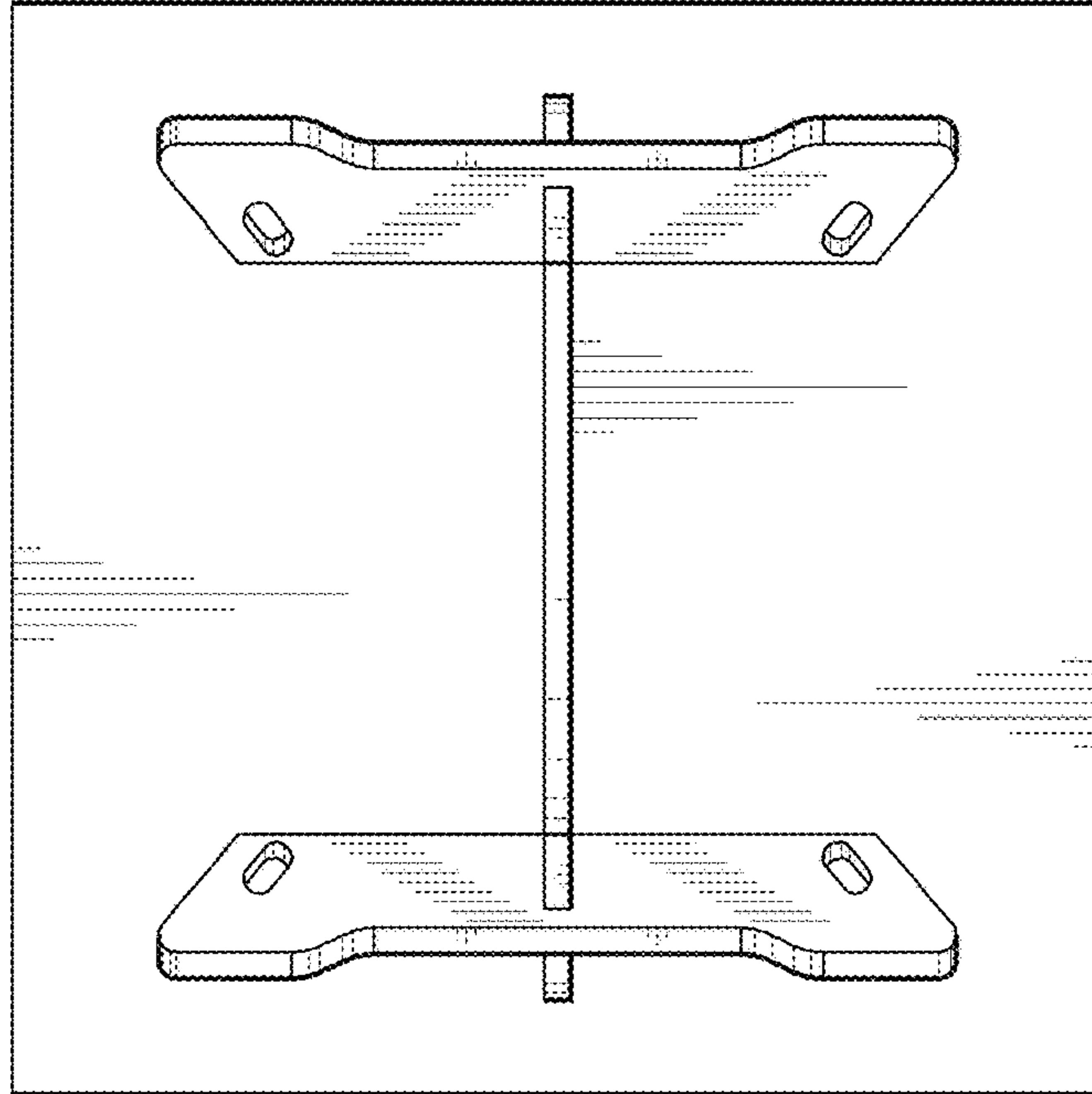


Fig. 7

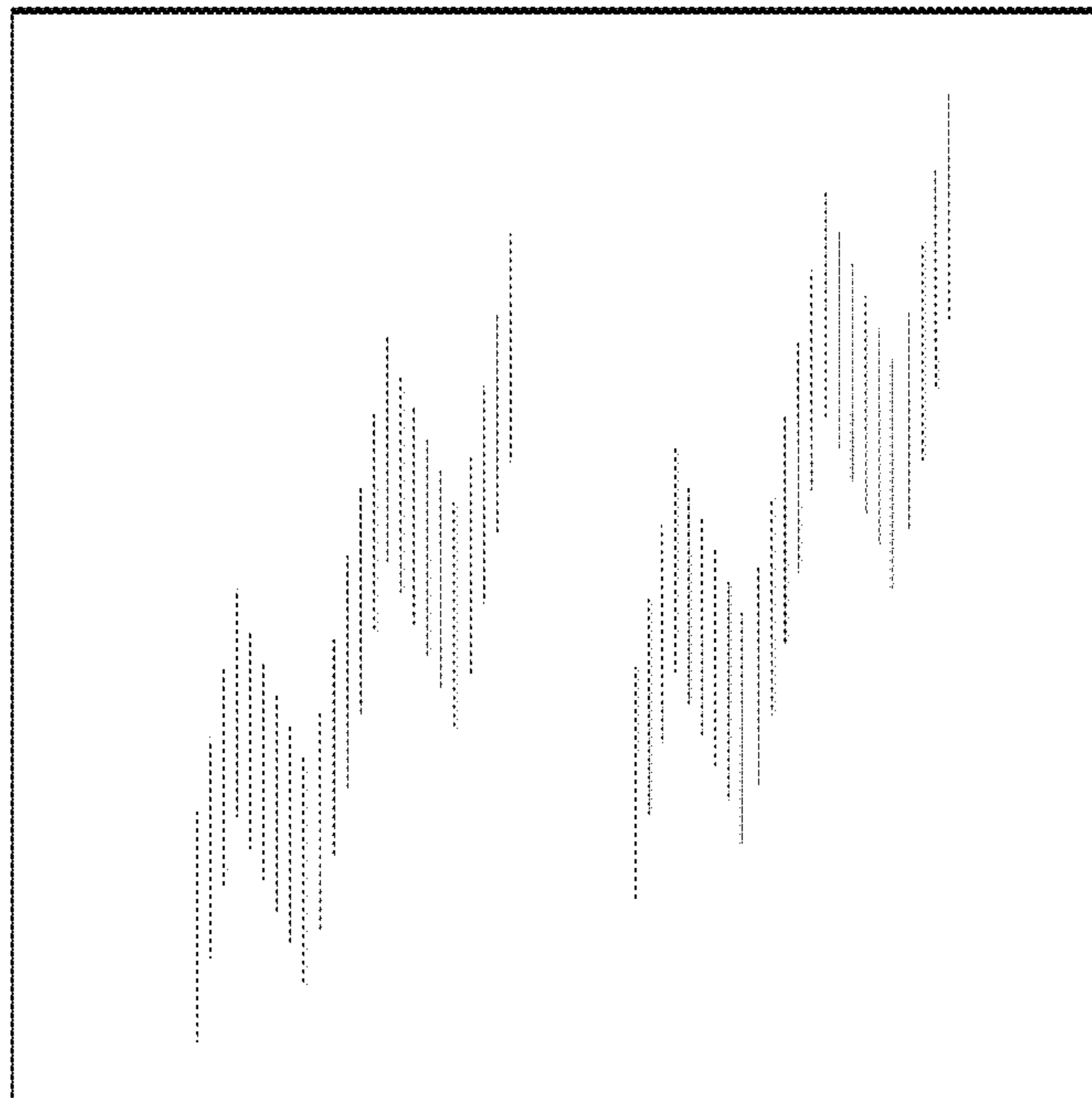


Fig. 6