

US00D856718S

(12) **United States Design Patent** (10) **Patent No.:** **US D856,718 S**
Myerson (45) **Date of Patent:** **** Aug. 20, 2019**

(54) **MERCHANDISING HANGER STRIP**

(71) Applicant: **Maurice Myerson**, Atlanta, GA (US)

(72) Inventor: **Maurice Myerson**, Atlanta, GA (US)

(**) Term: **15 Years**

(21) Appl. No.: **29/638,240**

(22) Filed: **Feb. 26, 2018**

(51) **LOC (12) Cl.** **06-04**

(52) **U.S. Cl.**

USPC **D6/682.2**

(58) **Field of Classification Search**

USPC ... D6/682.1-682.4, 552, 513-514, 553, 567,
D6/329; 211/85.29, 105.1, 105.2, 123,
211/87.01, 113, 220.31, 220.41;
248/220.31, 220.41

CPC A47F 5/0006; A47F 2005/0012; F16M
13/022; F16B 2001/0035

See application file for complete search history.

(56) **References Cited**

U.S. PATENT DOCUMENTS

D193,919 S *	10/1962	Meyer	211/113
D257,709 S *	12/1980	Lewis	D6/570
4,573,590 A *	3/1986	Ellis	A47F 5/0068 211/118
D297,412 S *	8/1988	Allen	D6/553
D309,252 S *	7/1990	Crowley	D8/373
5,339,967 A *	8/1994	Valiulis	A47F 5/0006 211/113
D361,503 S *	8/1995	Hubbard	D8/354
D367,574 S *	3/1996	Werner	D6/514
5,697,506 A *	12/1997	Peickert	A47F 7/146 211/71.01
5,957,422 A *	9/1999	Shea	A47F 5/0807 211/87.01
6,006,929 A *	12/1999	Leonard	A47F 5/01 211/106
6,145,675 A *	11/2000	Kass	A47F 5/0006 211/71.01

(Continued)

Primary Examiner — David G Muller

Assistant Examiner — Nathan M Johnston

(74) *Attorney, Agent, or Firm* — Walter A. Rodgers

(57) **CLAIM**

The ornamental design for merchandising hanger strip, as shown and described.

DESCRIPTION

FIG. 1 is a perspective view of a merchandising hanger strip showing my new design;

FIG. 2 is a front elevation view thereof;

FIG. 3 is a rear elevation view thereof;

FIG. 4 is a right-side elevation view thereof the left side being a mirror image thereof;

FIG. 5 is a top plan view thereof;

FIG. 6 is a bottom plan, view thereof;

FIG. 7 is an exploded view thereof;

FIG. 8 is a perspective view of a second embodiment of FIG. 1, the only difference being the configuration of the apertures and hooks, it being understood that all other surfaces are the same as those of the first embodiment;

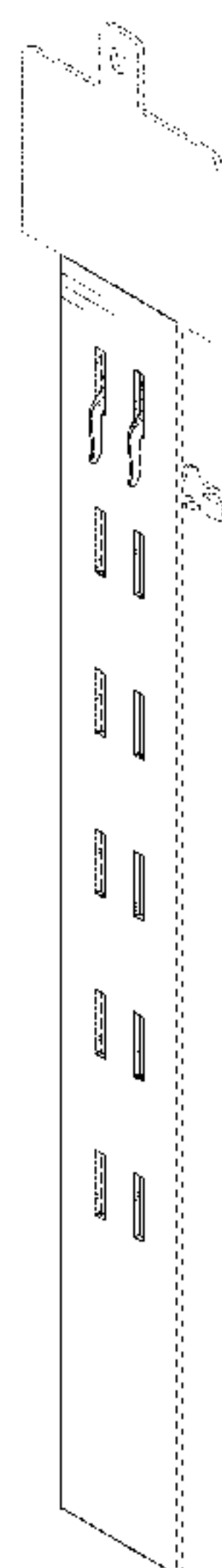
FIG. 9 is a perspective view a third embodiment of FIG. 1, the only difference being the configuration of the apertures and hooks, it being understood that all other surfaces are the same as those of the first embodiment;

FIG. 10 is a perspective view of a fourth embodiment of FIG. 1, the only difference being the configuration of the apertures, it being understood that all other surfaces are the same as those of the first embodiment; and,

FIG. 11 is a perspective view of a fifth embodiment of FIG. 1, the only difference being the configuration of the apertures, it being understood that all other surfaces are the same as those of the first embodiment.

The dashed lines in the drawings are included for the purpose of illustration and form no part of the claimed design.

1 Claim, 6 Drawing Sheets



(56)

References Cited

U.S. PATENT DOCUMENTS

6,286,690 B1 * 9/2001 Thalenfeld A47F 5/0006
 211/113
 D464,510 S * 10/2002 Shea D6/682.2
 D477,212 S * 7/2003 Ellery D8/380
 D486,021 S * 2/2004 Dion D6/553
 D546,601 S * 7/2007 Murphy D6/514
 D723,845 S * 3/2015 Valiulis D6/682.4
 D758,666 S * 6/2016 Carrillo D28/73
 D785,442 S * 5/2017 Tseng D8/354
 D788,540 S * 6/2017 Mock D7/601
 2004/0262250 A1 * 12/2004 Kosir A47F 5/0006
 211/113
 2012/0292274 A1 * 11/2012 Lin A47B 88/43
 211/86.01
 2013/0015148 A1 * 1/2013 Valiulis A47F 5/0006
 211/59.2
 2014/0061401 A1 * 3/2014 Bernstein A47F 5/0006
 248/125.3
 2017/0318986 A1 * 11/2017 Santarelli A47F 5/0006

* cited by examiner

Fig 1

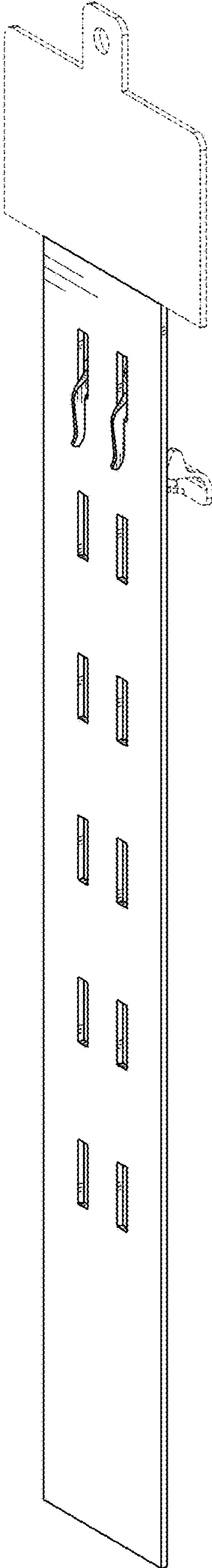


Fig 2

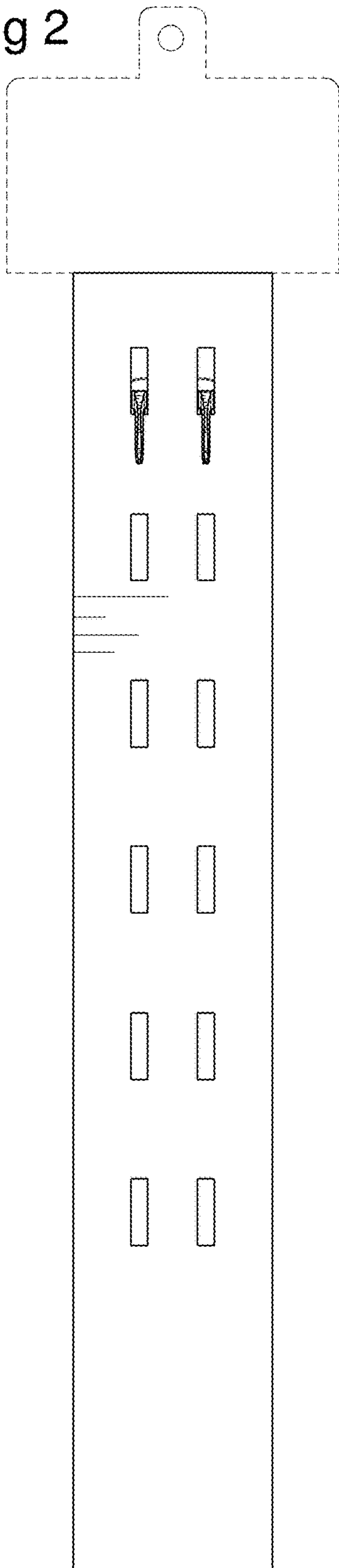


Fig 3

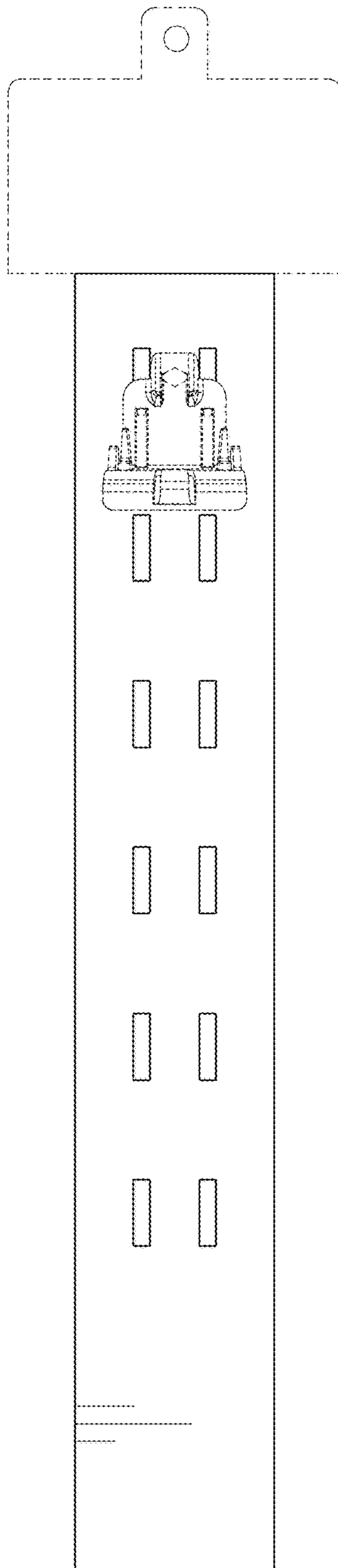


Fig 4

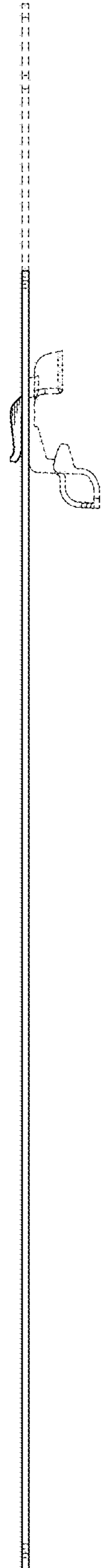


Fig 5

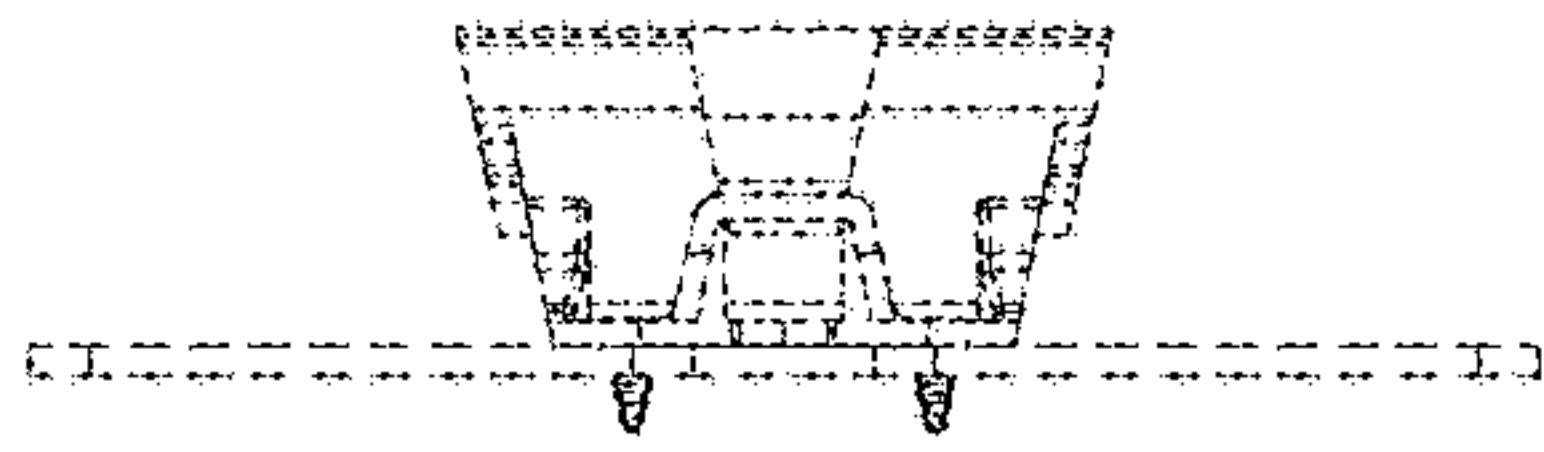


Fig 6

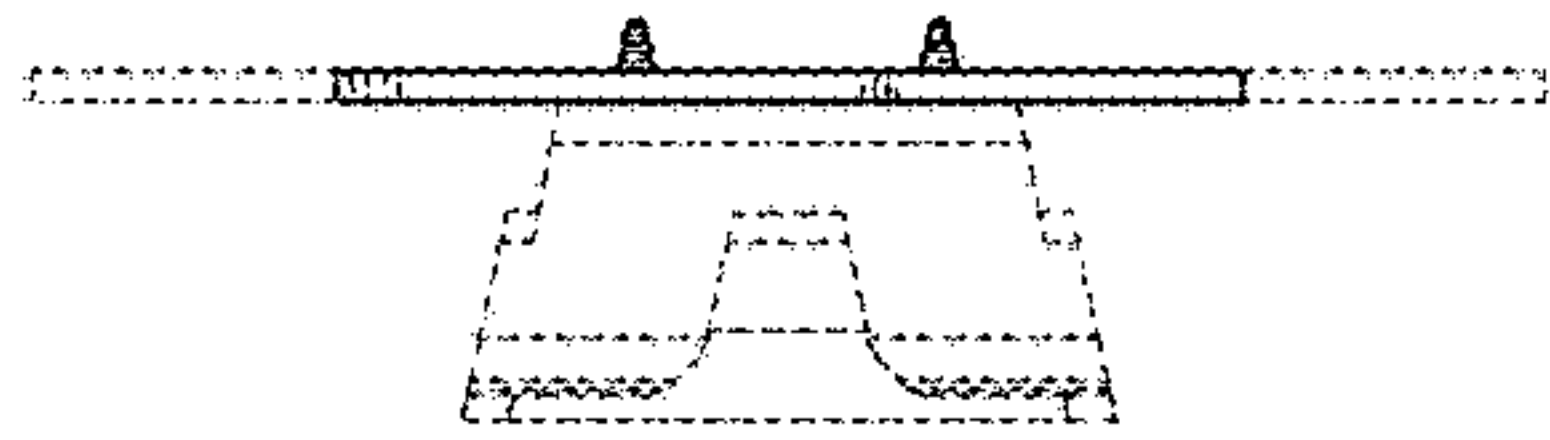


Fig 7

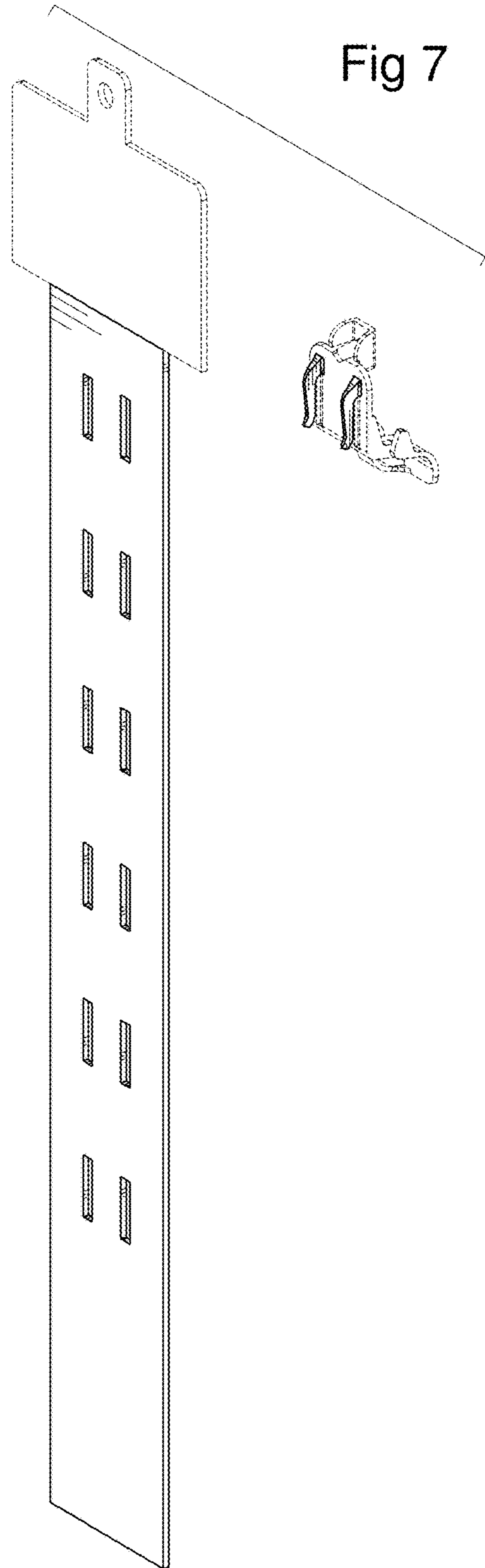


Fig 8

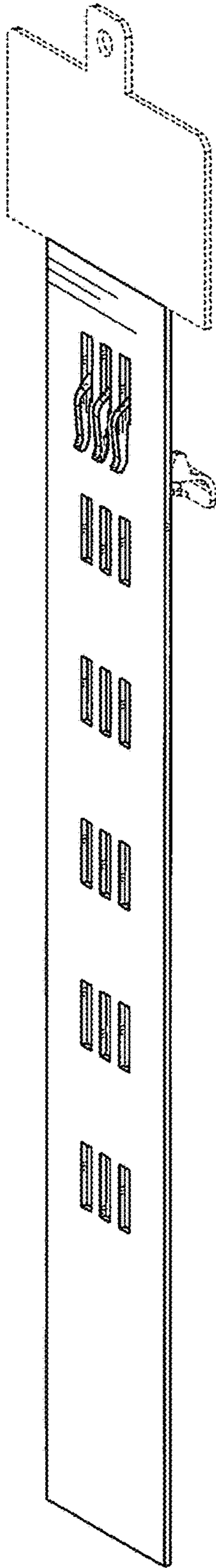


Fig 9

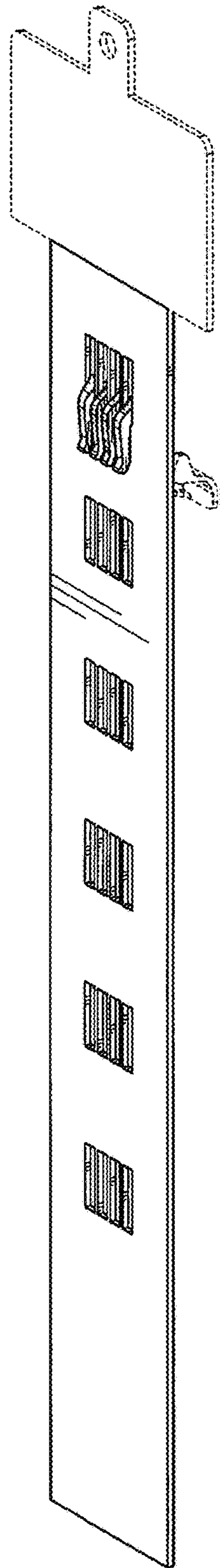


Fig 10

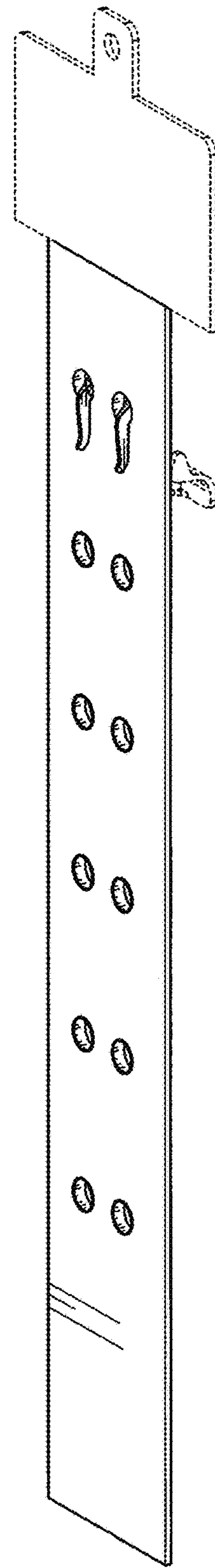


Fig 11

