



US00D856717S

(12) **United States Design Patent** (10) **Patent No.:** **US D856,717 S**
Moore (45) **Date of Patent:** **** Aug. 20, 2019**

- (54) **CORNER SHELF**
- (71) Applicant: **Cougar Paw Woodworking, LLC**,
Loveland, CO (US)
- (72) Inventor: **Jeffrey Jon Moore**, Loveland, CO (US)
- (73) Assignee: **Cougar Paw Woodworking, LLC**,
Loveland, CO (US)
- (**) Term: **15 Years**
- (21) Appl. No.: **29/658,351**
- (22) Filed: **Jul. 30, 2018**
- (51) **LOC (12) Cl.** **06-06**
- (52) **U.S. Cl.**
USPC **D6/678.3**
- (58) **Field of Classification Search**
USPC D6/672, 675, 678, 678.3, 682, 691,
D6/691.3, 705, 705.1
CPC A47F 5/00; A47F 5/0018; A47F 5/0043;
A47F 2005/0075; A47F 5/08
See application file for complete search history.

- D702,410 S * 4/2014 Murphy D32/66
- D710,634 S * 8/2014 Kim D6/678
- D715,078 S * 10/2014 Bibeau D6/678
- D723,294 S * 3/2015 O'Hara A47G 25/06
D6/513
- D730,094 S * 5/2015 Baylar D6/705
- D732,862 S * 6/2015 Lloyd D6/683
- D791,871 S * 7/2017 Okawa D19/90
- D845,684 S * 4/2019 Spielmann D6/678

* cited by examiner

Primary Examiner — Kelley A Donnelly
(74) *Attorney, Agent, or Firm* — Craig R. Miles; CR Miles P.C.

(57) **CLAIM**

The ornamental design for a corner shelf, as shown and described.

DESCRIPTION

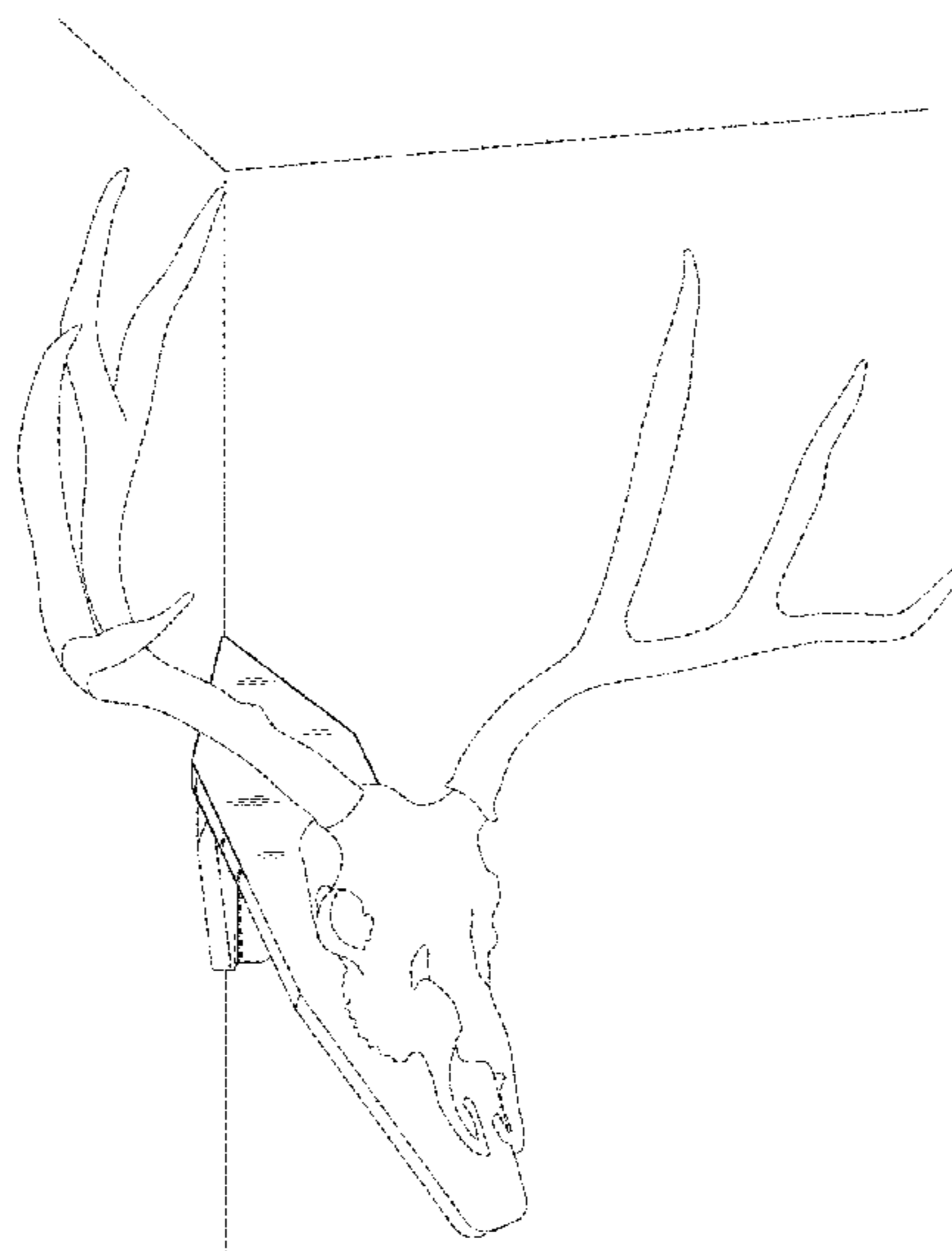
FIG. 1 is a top and left side perspective view of a corner shelf showing my new design in an environment of use; FIG. 2 is a top and left side perspective view of a corner shelf showing my new design; FIG. 3 is a bottom and right side perspective view thereof; FIG. 4 is a front elevation view thereof; FIG. 5 is a back side elevation view thereof; FIG. 6 is a left side elevation view thereof; FIG. 7 is a right side elevation view thereof; FIG. 8 is a top plan view thereof; and, FIG. 9 is a bottom plan view thereof. The broken lines shown are included for the purpose of illustrating the unclaimed portions of the article and form no part of the claim.

1 Claim, 7 Drawing Sheets

(56) **References Cited**

U.S. PATENT DOCUMENTS

- 1,547,309 A * 7/1925 Eastwood D06F 81/02
108/158
- 3,965,588 A * 6/1976 Long A47B 5/04
38/103
- D272,008 S * 12/1983 Flory D32/66
- D307,222 S * 4/1990 Korpjaako D6/540
- D362,357 S * 9/1995 Shinno D6/682.2
- D424,330 S * 5/2000 DeWitt D6/672
- D448,959 S * 10/2001 Campos D6/562
- 6,412,423 B1 * 7/2002 Elizondo, Jr. A47B 83/045
108/35
- D517,347 S * 3/2006 Hamilton D16/242



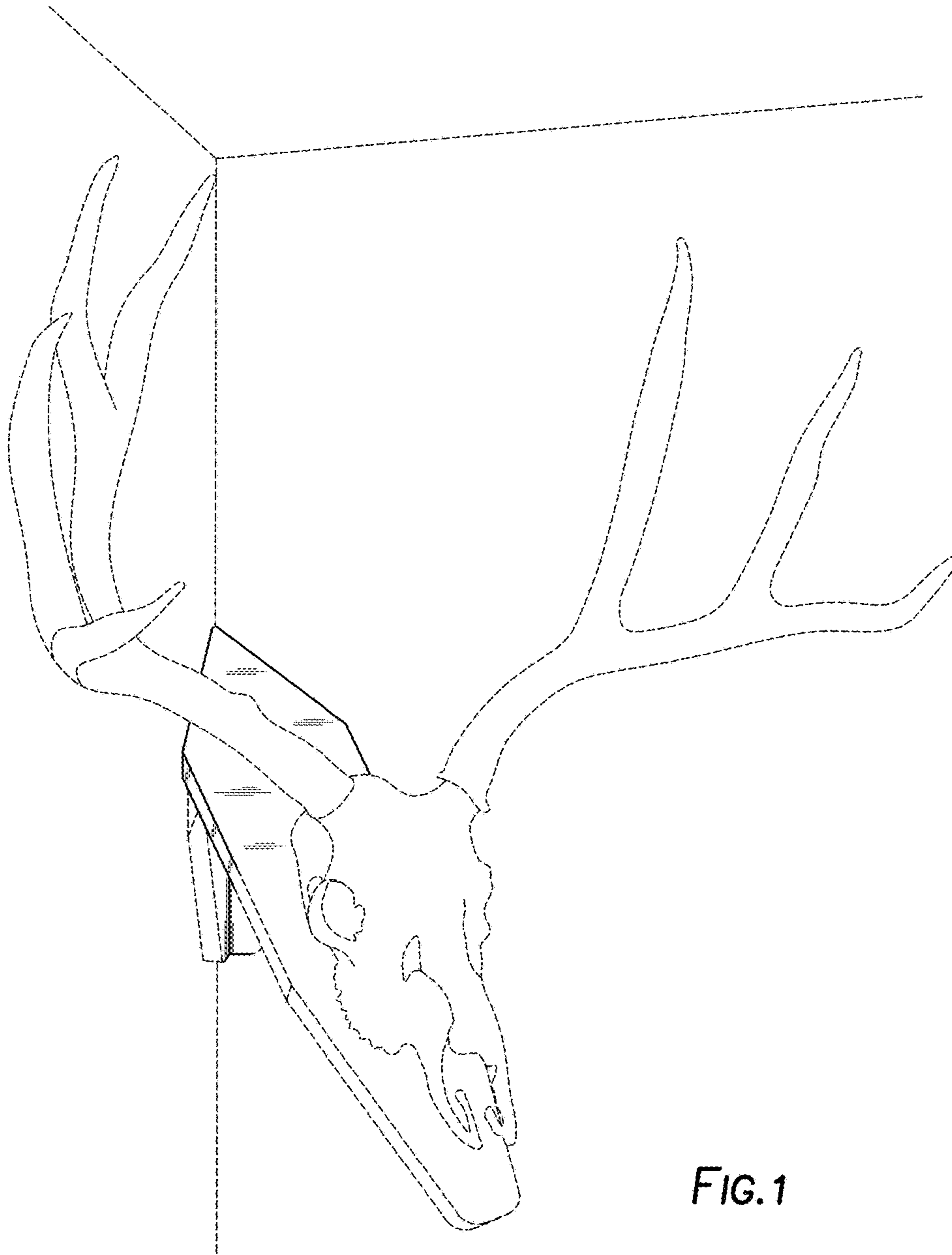


FIG. 1

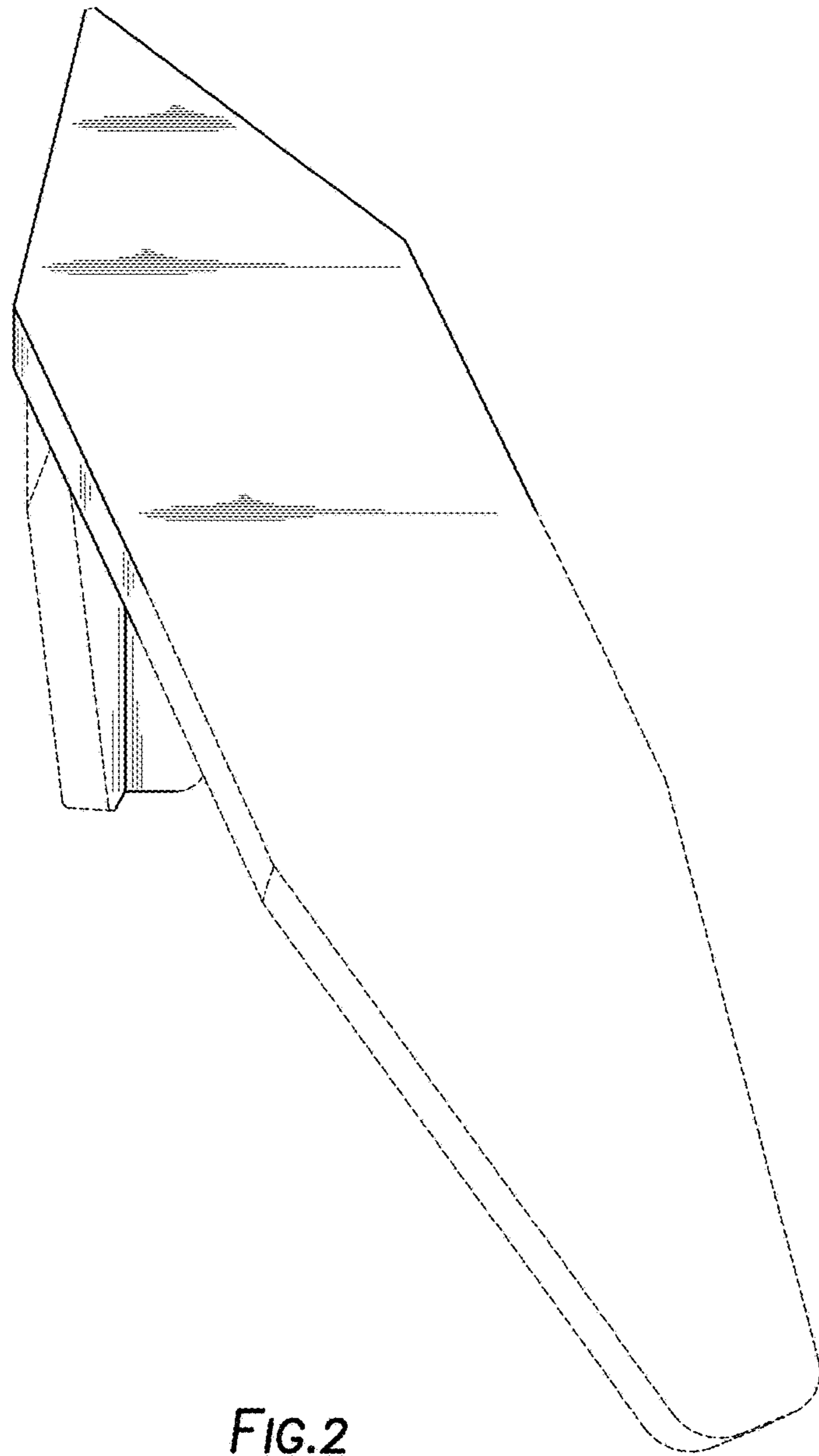


FIG. 2

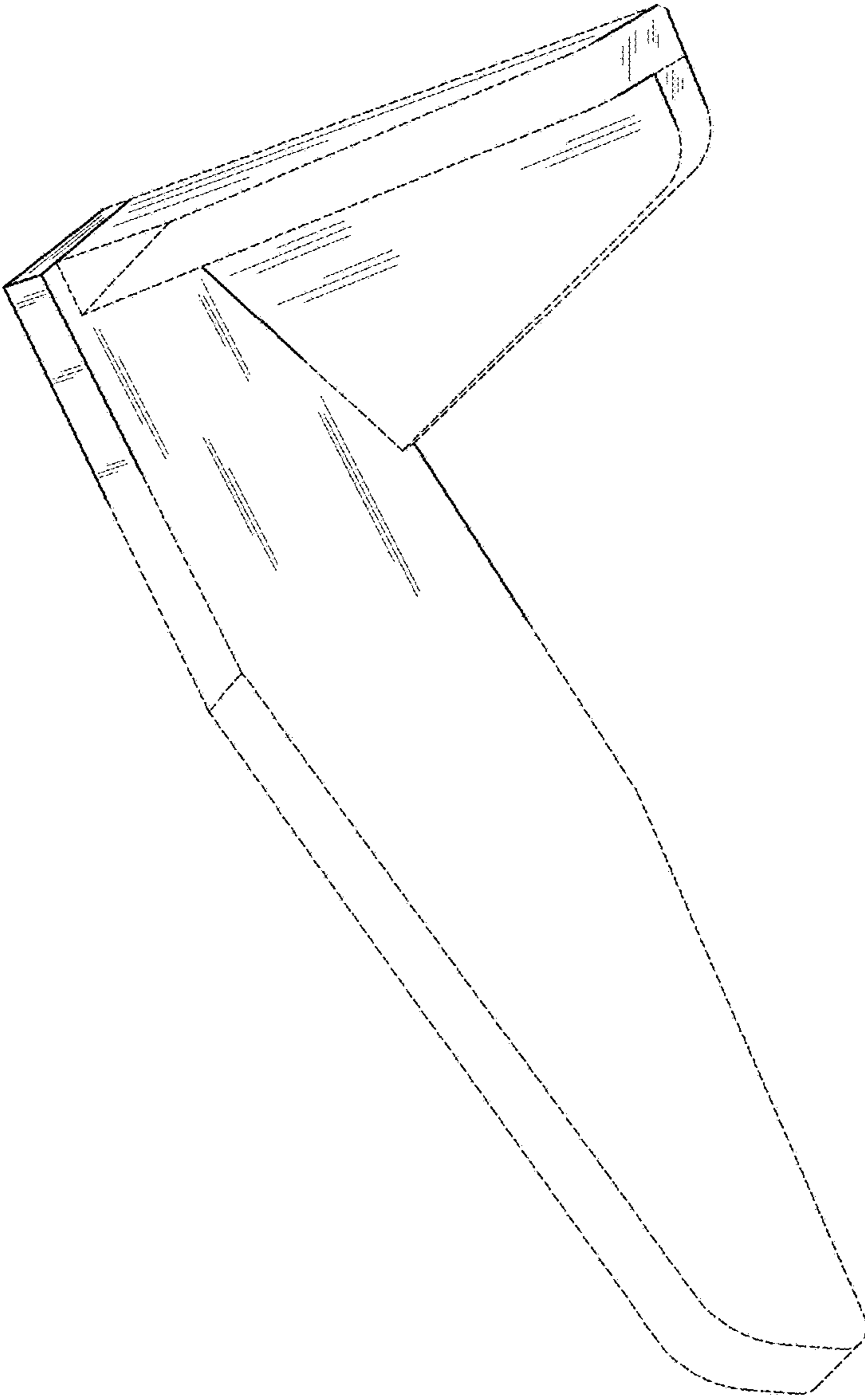


FIG.3

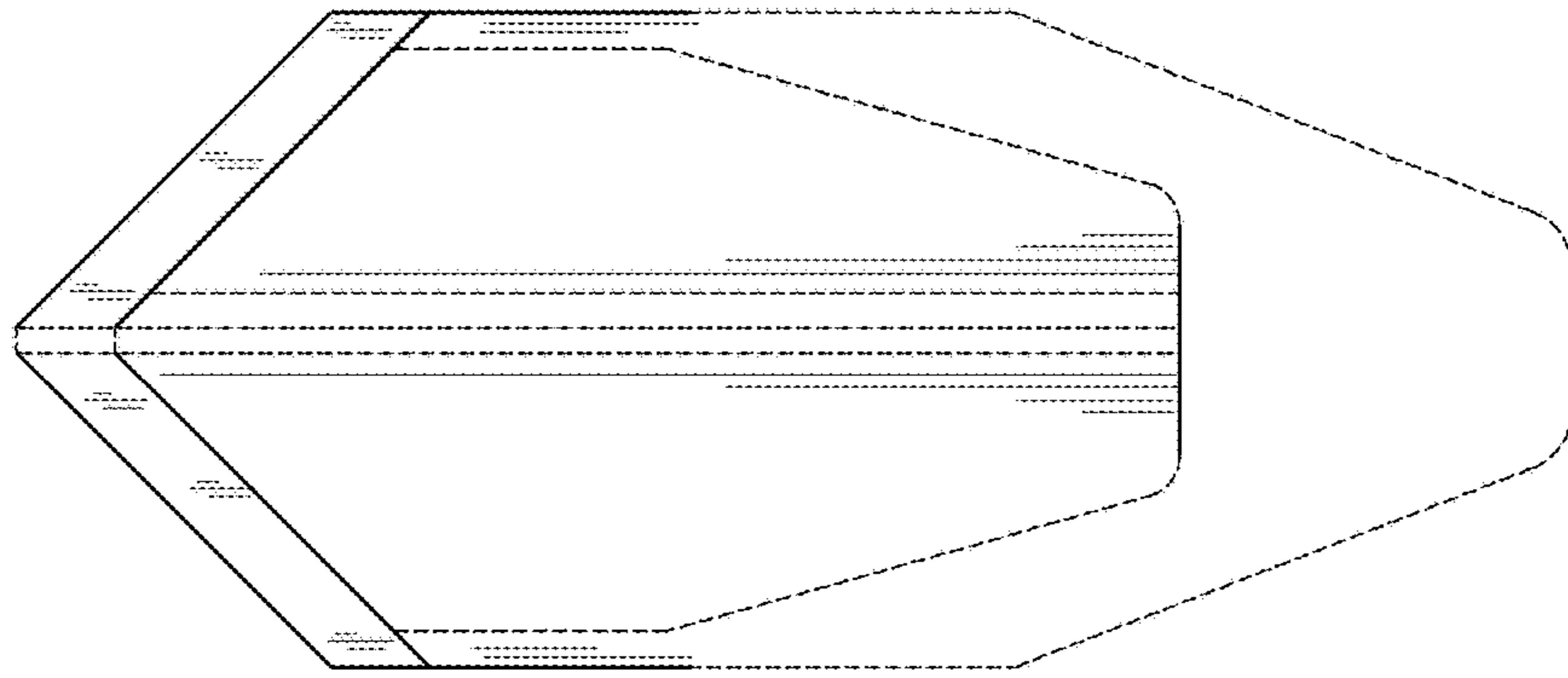


FIG. 5

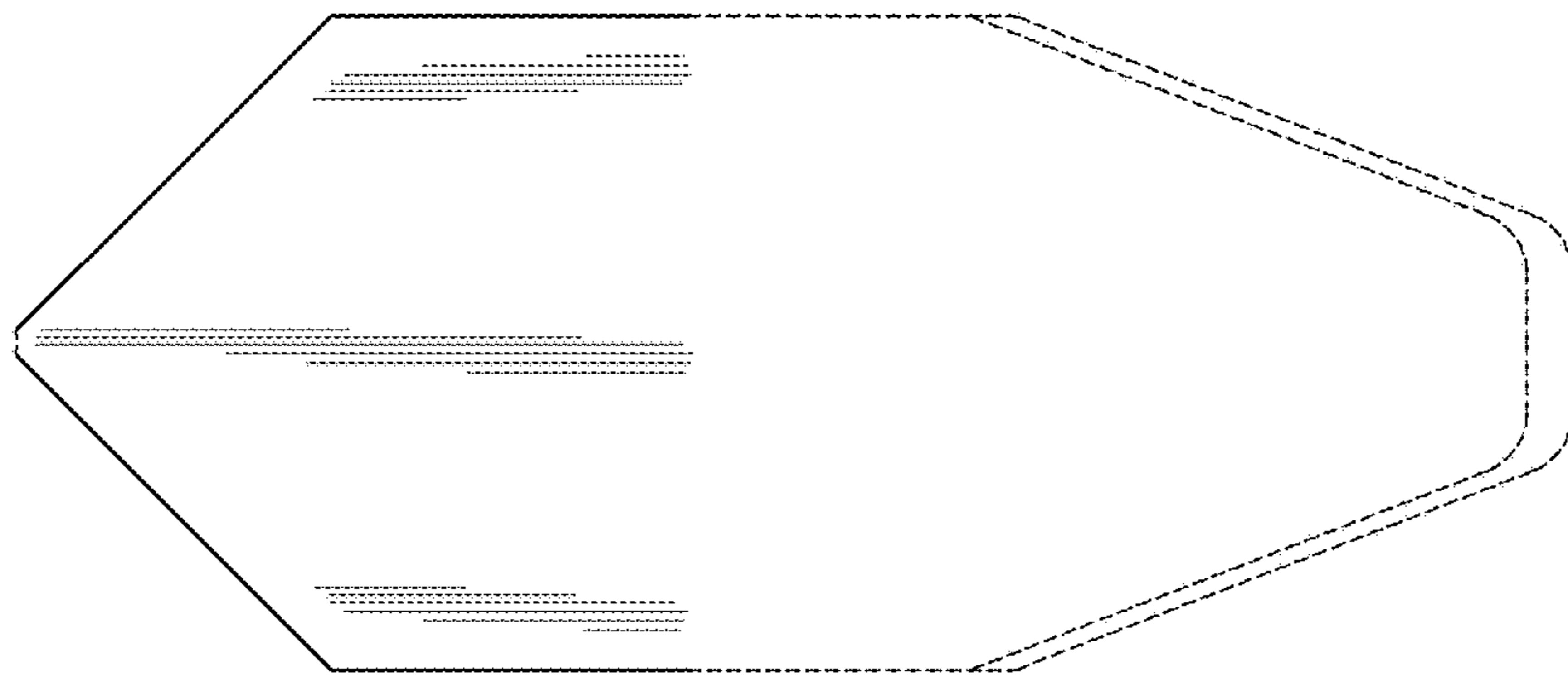


FIG. 4

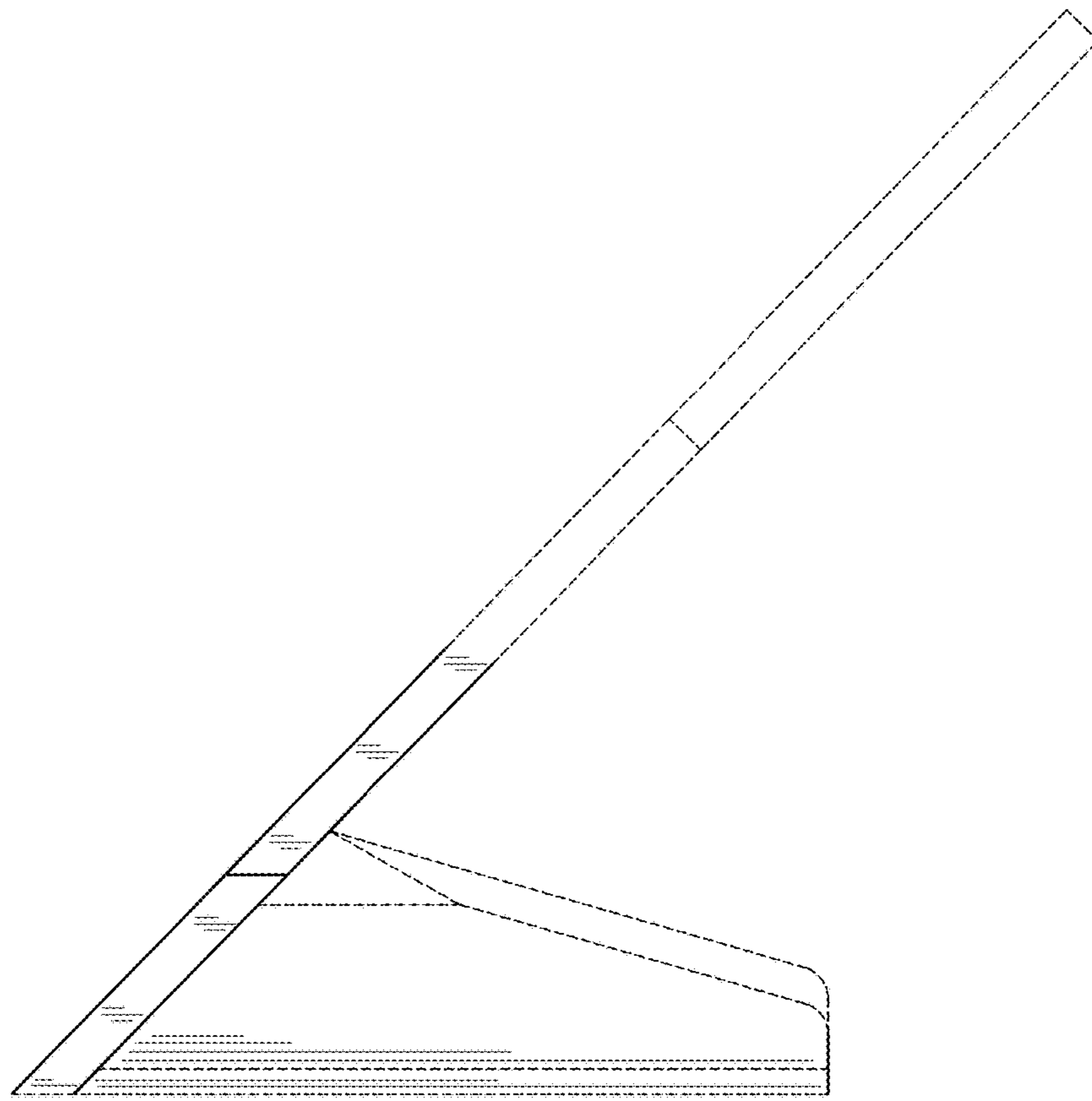


FIG. 6

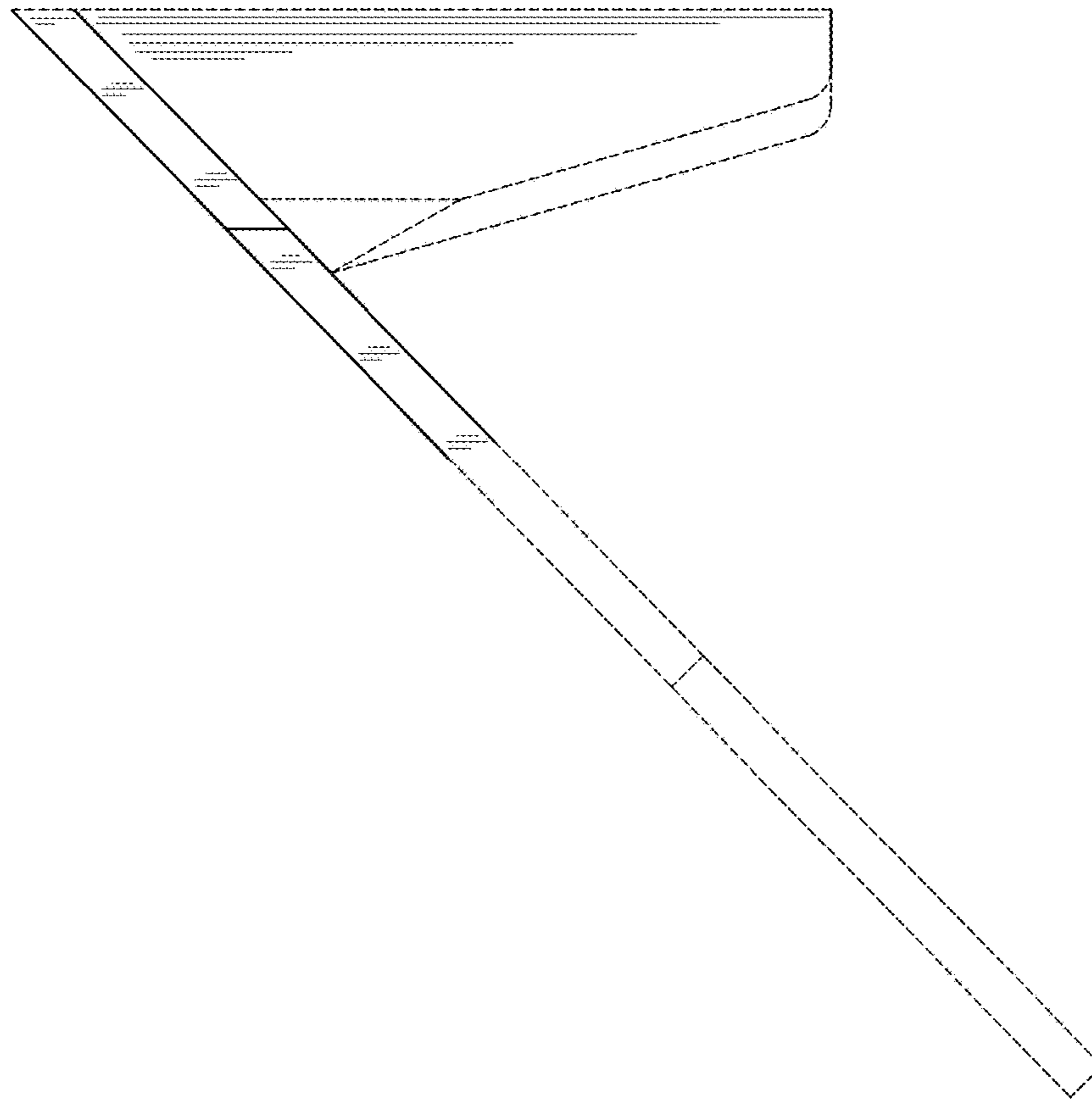


FIG. 7

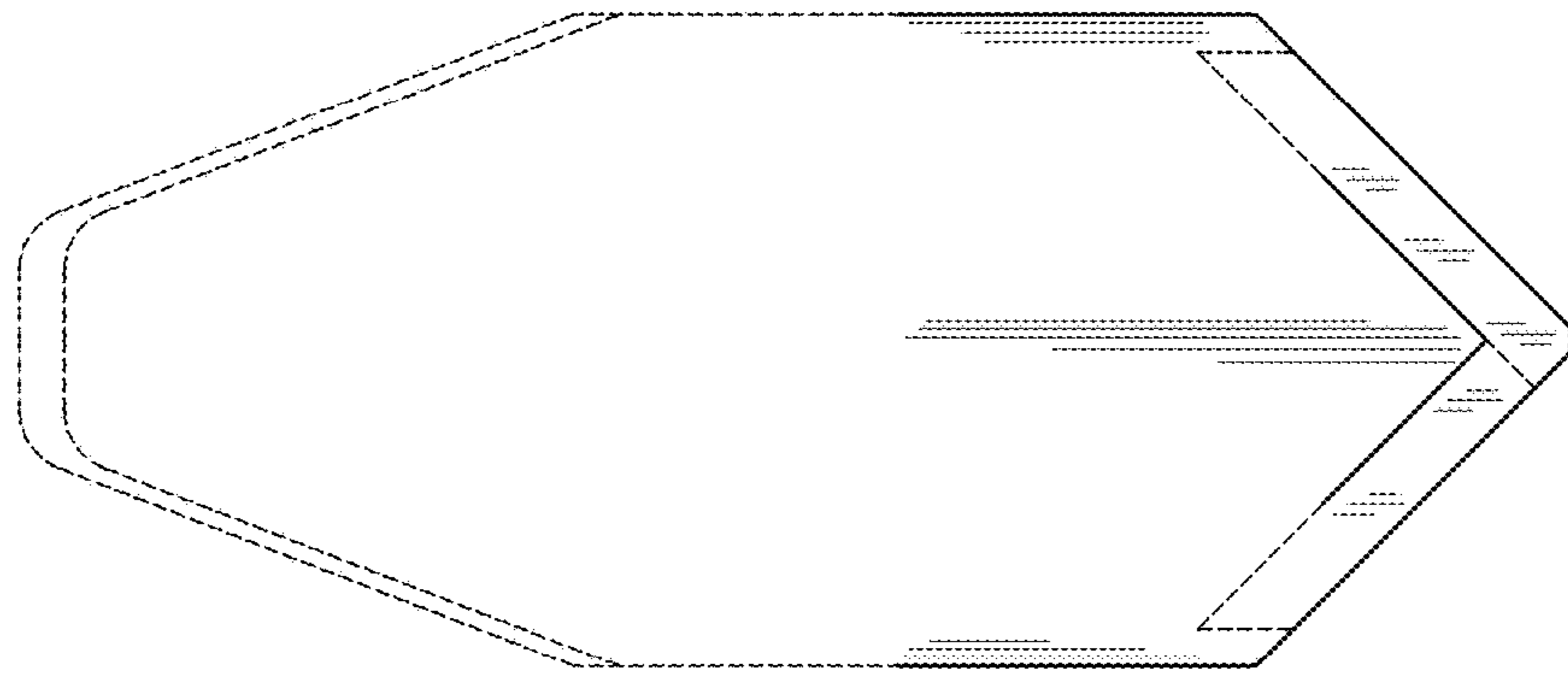


FIG. 9

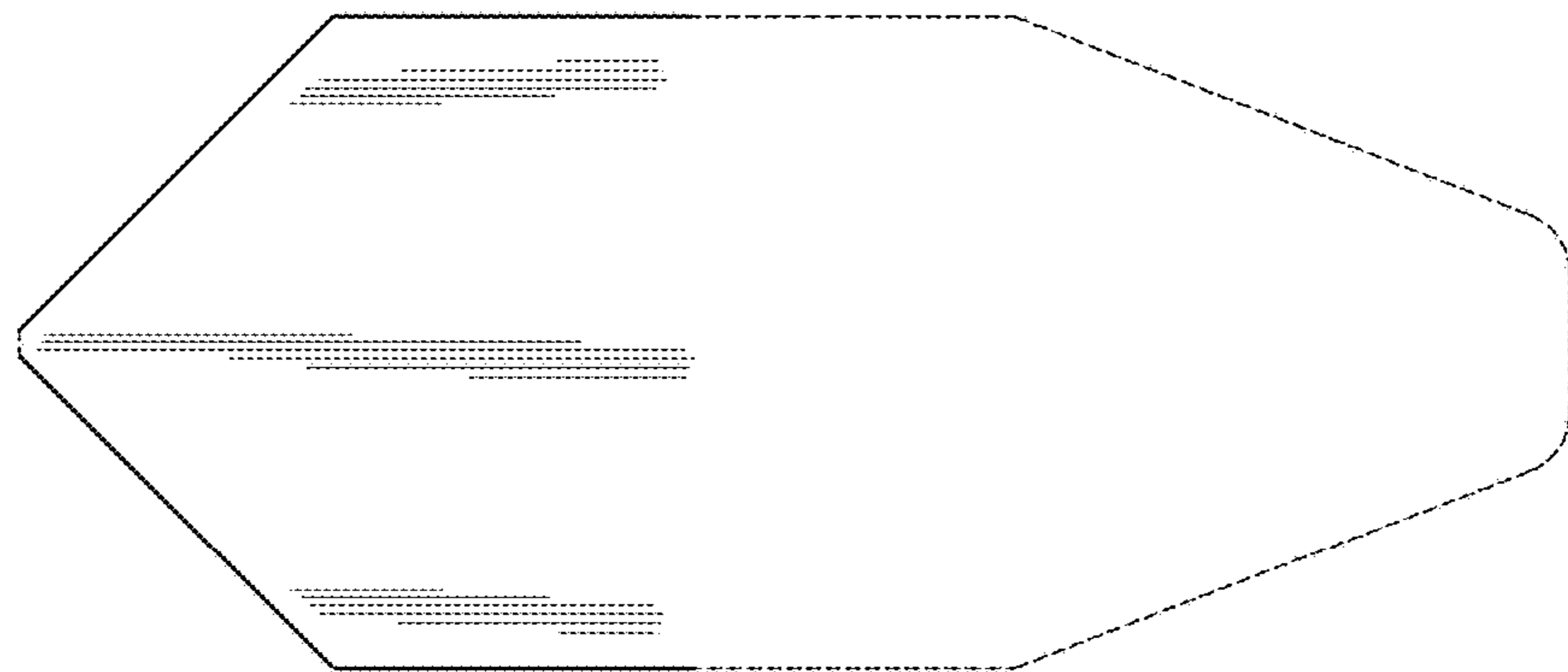


FIG. 8