



US00D856715S

(12) **United States Design Patent**
Robins

(10) **Patent No.:** **US D856,715 S**

(45) **Date of Patent:** **** *Aug. 20, 2019**

(54) **COMBINED DISPLAY TABLET DOCK AND TABLE**

(71) Applicant: **Bruce Robins**, Merion Station, PA (US)

(72) Inventor: **Bruce Robins**, Merion Station, PA (US)

(*) Notice: This patent is subject to a terminal disclaimer.

(**) Term: **15 Years**

(21) Appl. No.: **29/569,648**

(22) Filed: **Jun. 29, 2016**

(51) **LOC (12) Cl.** **06-03**

(52) **U.S. Cl.**
USPC **D6/642**

(58) **Field of Classification Search**
USPC D6/641, 642, 647, 650, 656, 656.1,
D6/656.13, 656.16, 656.18, 685, 686,
D6/691, 691.4, 691.5, 691.6
CPC A47B 7/00; A47B 13/00; A47B 13/003;
A47B 13/02; A47B 13/08; A47B
2013/006; A47B 21/00; A47B 2200/0001;
A47B 2200/0011; A47B 2200/0035;
A47B 2200/0066
See application file for complete search history.

(56) **References Cited**

U.S. PATENT DOCUMENTS

212,612 A	2/1879	Lorton
1,207,702 A	12/1916	Bartholomew
1,563,381 A	12/1925	Larmore
1,760,456 A	5/1930	Von Palmenberg
1,770,942 A	7/1930	Morris
2,688,525 A	9/1954	Lindstrom
2,801,893 A	9/1957	Mac Aleese
2,942,924 A	6/1960	Stangert
2,970,874 A	2/1961	Honeycutt et al.

2,981,583 A	4/1961	Eisenberg
3,117,534 A	1/1964	Maitland
3,181,920 A	5/1965	Burr
3,190,603 A	6/1965	Finnemann
3,477,760 A	11/1969	Bue et al.
3,487,874 A	1/1970	Solo
3,680,177 A	8/1972	Ginsberg
3,818,609 A	6/1974	Woolman
3,868,021 A	2/1975	Heinrich
3,905,484 A	9/1975	Dean et al.
3,927,481 A	12/1975	Safranek
4,307,863 A	12/1981	Patrigot
4,314,700 A	2/1982	Dylag
4,645,163 A	2/1987	Zovar
4,667,919 A	5/1987	Teague
4,836,114 A	6/1989	Cohen et al.

(Continued)

Primary Examiner — Mary Ann Calabrese

(74) *Attorney, Agent, or Firm* — Robert F. Zielinski

(57) **CLAIM**

I claim the ornamental design for the combined display tablet dock and table, as shown and described.

DESCRIPTION

FIG. 1 is a top, front, right side perspective view of a combined display tablet dock and table embodying my new design;

FIG. 2 is a top plan view thereof;

FIG. 3 is a bottom plan view thereof;

FIG. 4 is a front elevational view thereof;

FIG. 5 is a rear elevational view thereof;

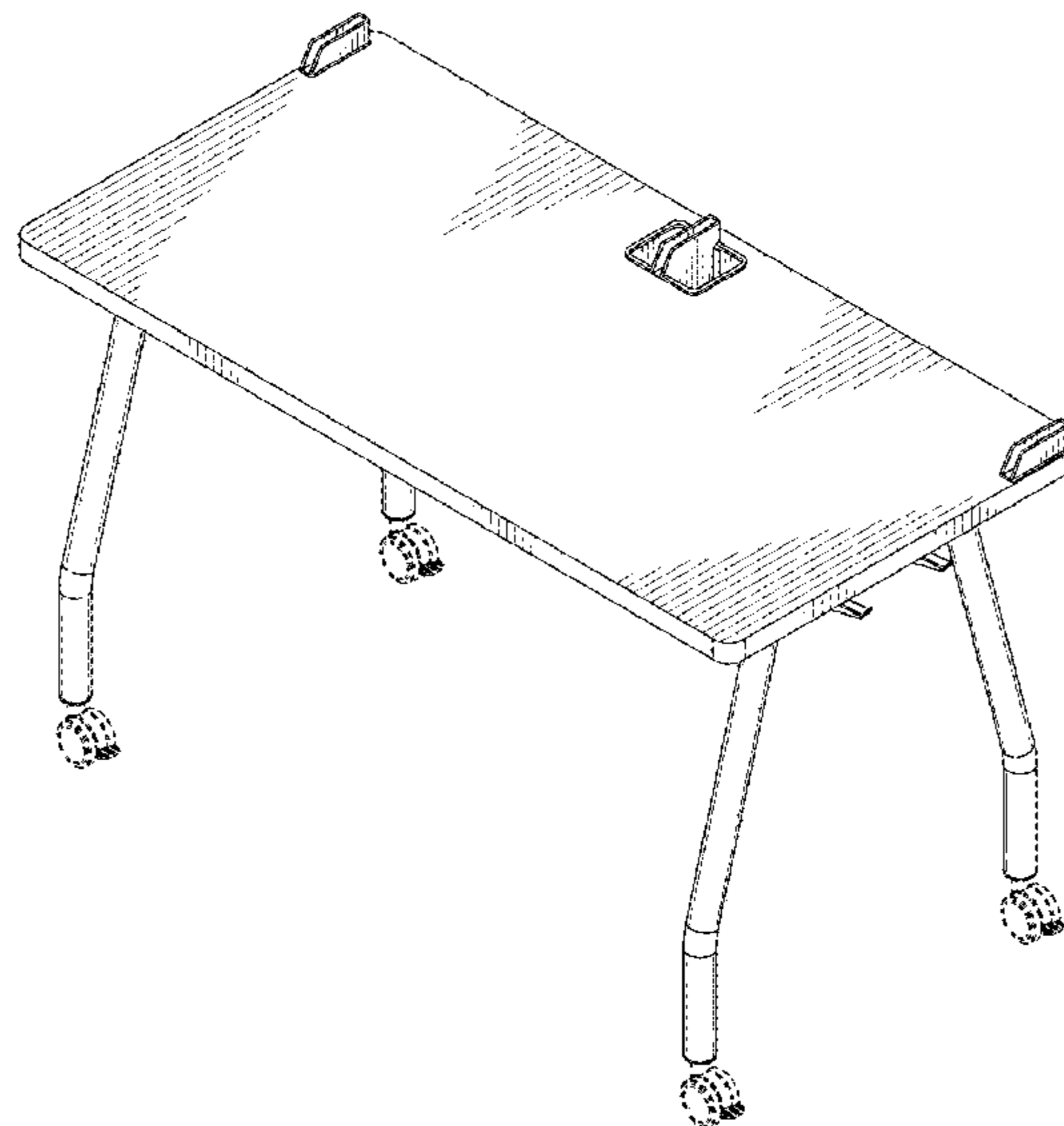
FIG. 6 is a right side elevational view thereof; and,

FIG. 7 is a left side elevational view thereof.

The broken line representations in the figures show unclaimed environment, and thus form no part of the claimed design.

The nature of this product is a combined display tablet dock and table.

1 Claim, 7 Drawing Sheets



(56)

References Cited

U.S. PATENT DOCUMENTS

D308,444 S *	6/1990	Burdick	D6/685	6,666,424 B2	12/2003	Richardson	
4,938,401 A	7/1990	Weisbrodt et al.		6,769,747 B2	8/2004	Chan et al.	
4,996,110 A	2/1991	Tanuma et al.		6,866,516 B2	3/2005	Smith et al.	
5,035,636 A	7/1991	Persing		D507,902 S *	8/2005	Cioncada	D6/647
5,103,741 A	4/1992	Grund et al.		6,941,691 B2	9/2005	Arko et al.	
5,301,477 A	4/1994	Relinger et al.		6,955,130 B2	10/2005	Phillips	
D349,731 S	8/1994	Leveen et al.		D513,564 S	1/2006	Nobles et al.	
5,406,893 A	4/1995	Burns		7,032,523 B2	4/2006	Forslund et al.	
5,609,112 A	3/1997	Meyer et al.		D520,262 S	5/2006	Nash	
5,626,478 A	5/1997	Gatlin		D520,263 S	5/2006	Nobles et al.	
D380,232 S	6/1997	Egan et al.		D525,460 S	7/2006	Nobles et al.	
5,664,749 A	9/1997	Kump et al.		D527,209 S *	8/2006	Nicoletti	D6/650
5,743,414 A	4/1998	Baudino		7,325,343 B2	2/2008	Seiber et al.	
5,823,574 A	10/1998	Sullins et al.		D585,218 S *	1/2009	Hamilton	D6/656
D401,788 S *	12/1998	Hellwig	D6/656	7,604,481 B2	10/2009	Owen et al.	
5,848,798 A	12/1998	Halvorson, Jr. et al.		7,677,182 B2	3/2010	Mueller et al.	
5,890,782 A	4/1999	Alberts		7,857,277 B2	12/2010	Bertrand	
5,901,937 A	5/1999	Compeau et al.		7,862,341 B2	1/2011	Durand et al.	
5,941,713 A	8/1999	Wayner et al.		7,942,372 B2	5/2011	Koh	
6,006,678 A	12/1999	Merit et al.		8,877,707 B2	11/2014	Zhong et al.	
6,041,720 A	3/2000	Hardy		2002/0027358 A1	3/2002	Peppers	
6,213,191 B1	4/2001	Nitzschic		2005/0186552 A1	8/2005	Finnerman	
6,231,023 B1	5/2001	Morton		2006/0016951 A1	1/2006	Nash et al.	
6,272,779 B1	8/2001	Seiber et al.		2006/0049125 A1	3/2006	Stowell	
6,330,945 B1	12/2001	Reimer		2006/0117669 A1	6/2006	Baloga et al.	
D456,182 S	4/2002	Hamilton et al.		2006/0156962 A1	7/2006	Holt	
6,382,745 B1	5/2002	Adkins		2006/0237621 A1	10/2006	Wolff et al.	
6,386,500 B1	5/2002	Dainoff et al.		2008/0187900 A1	8/2008	Hardt	
6,533,019 B1	3/2003	King et al.		2008/0315734 A1	12/2008	Birsel et al.	
6,571,498 B1	6/2003	Cyrluk		2009/0095840 A1	4/2009	Roux et al.	
6,647,652 B1	11/2003	Seiber et al.		2010/0176266 A1	7/2010	Minkley et al.	
				2011/0042541 A1	2/2011	Spencer et al.	
				2011/0057087 A1	3/2011	Bertrand	

* cited by examiner

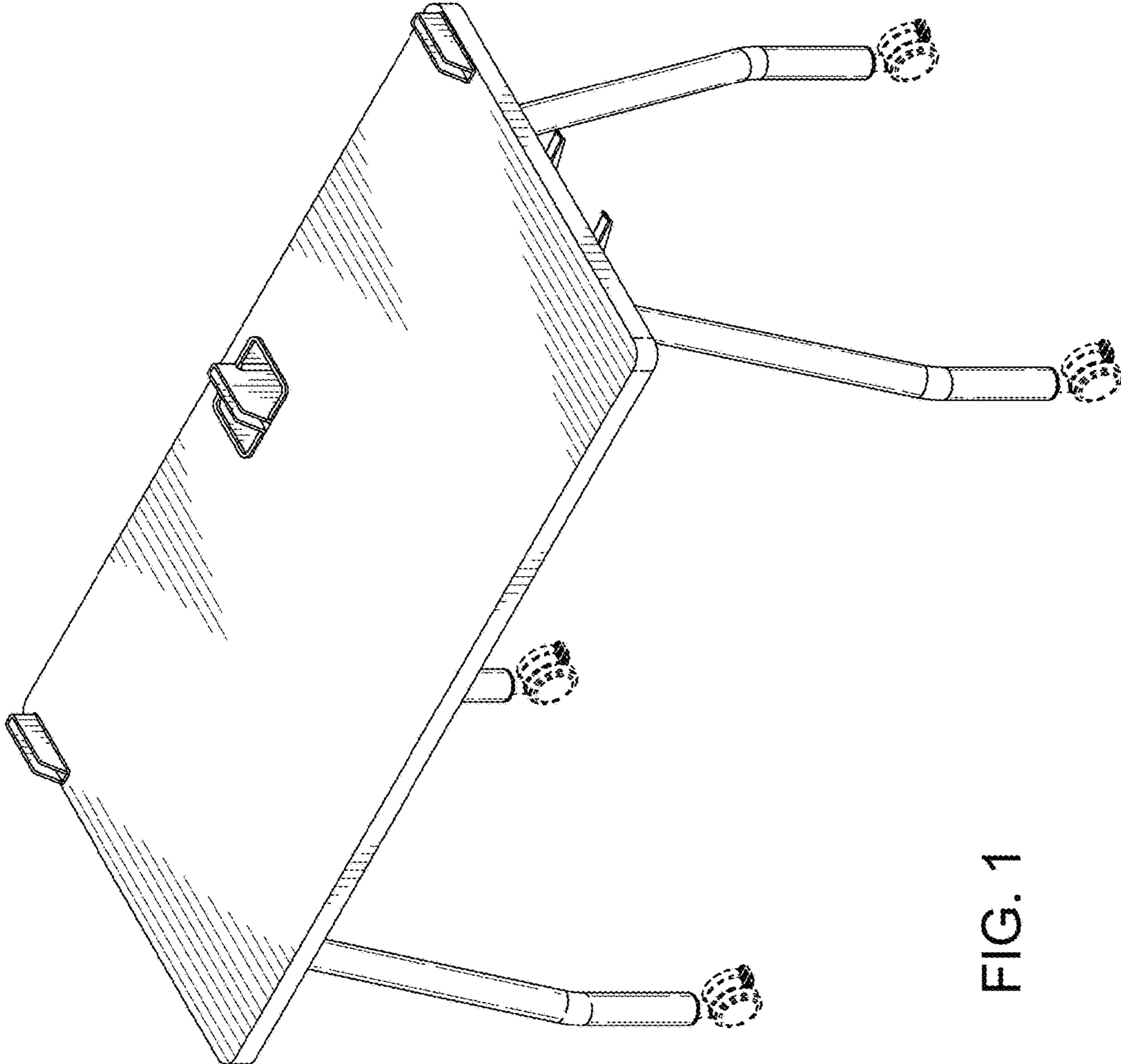


FIG. 1

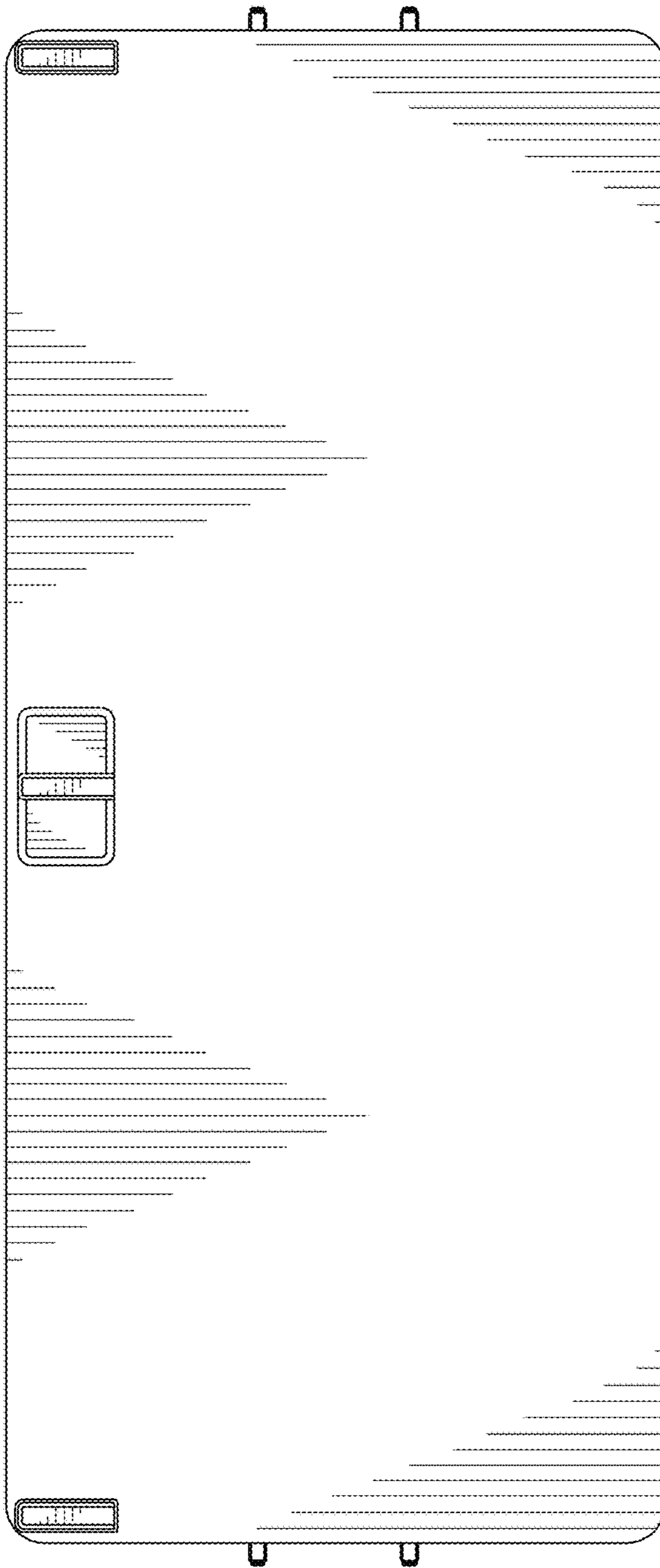


FIG. 2

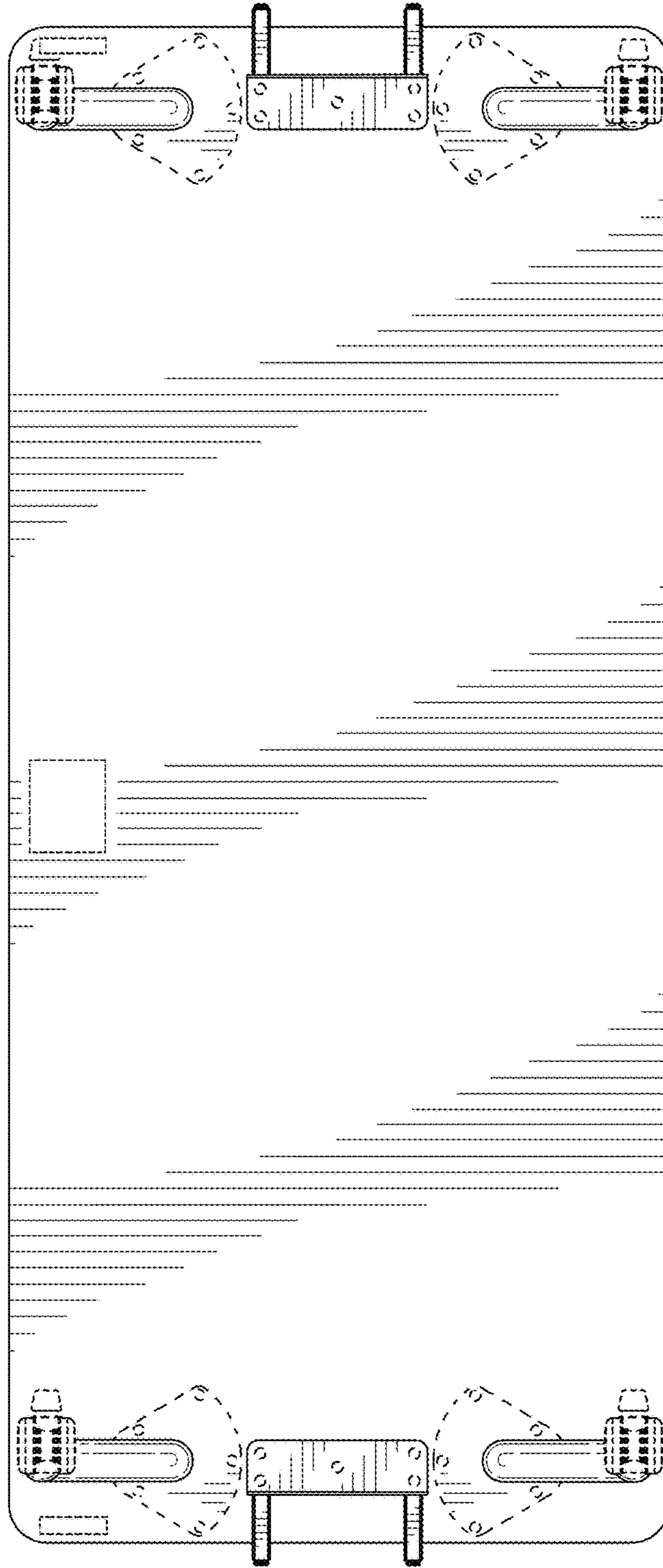


FIG. 3

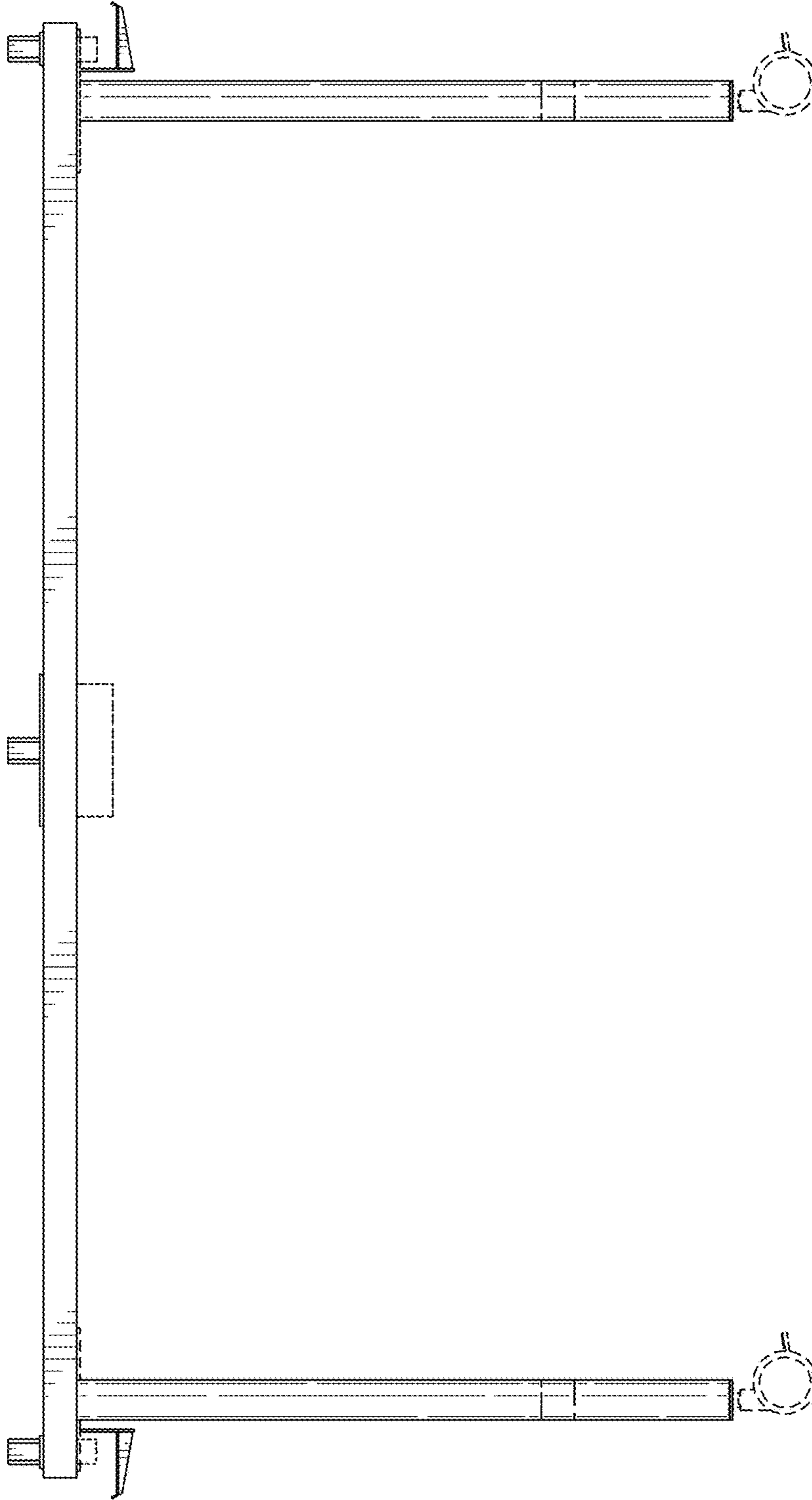


FIG. 4

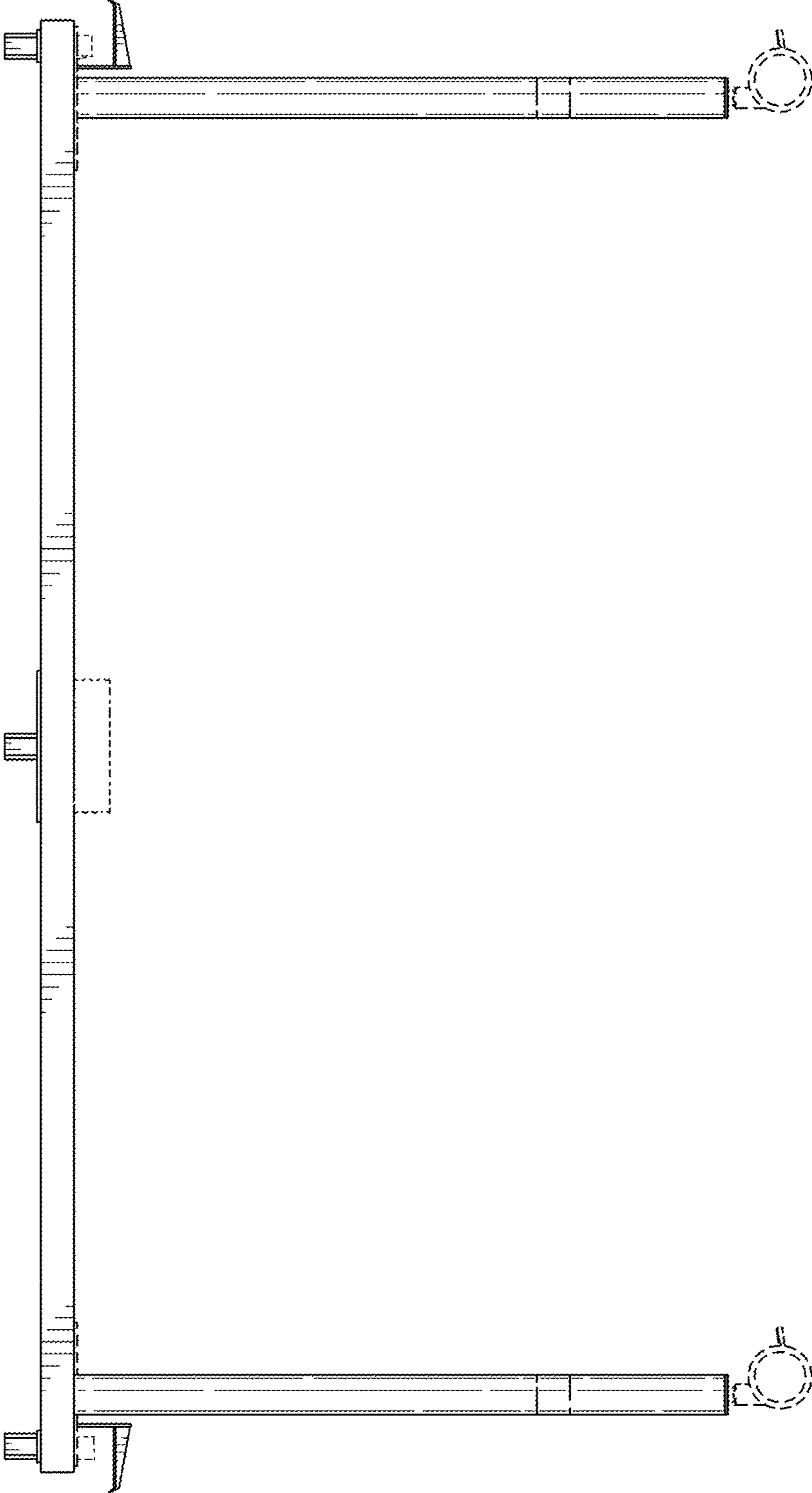


FIG. 5

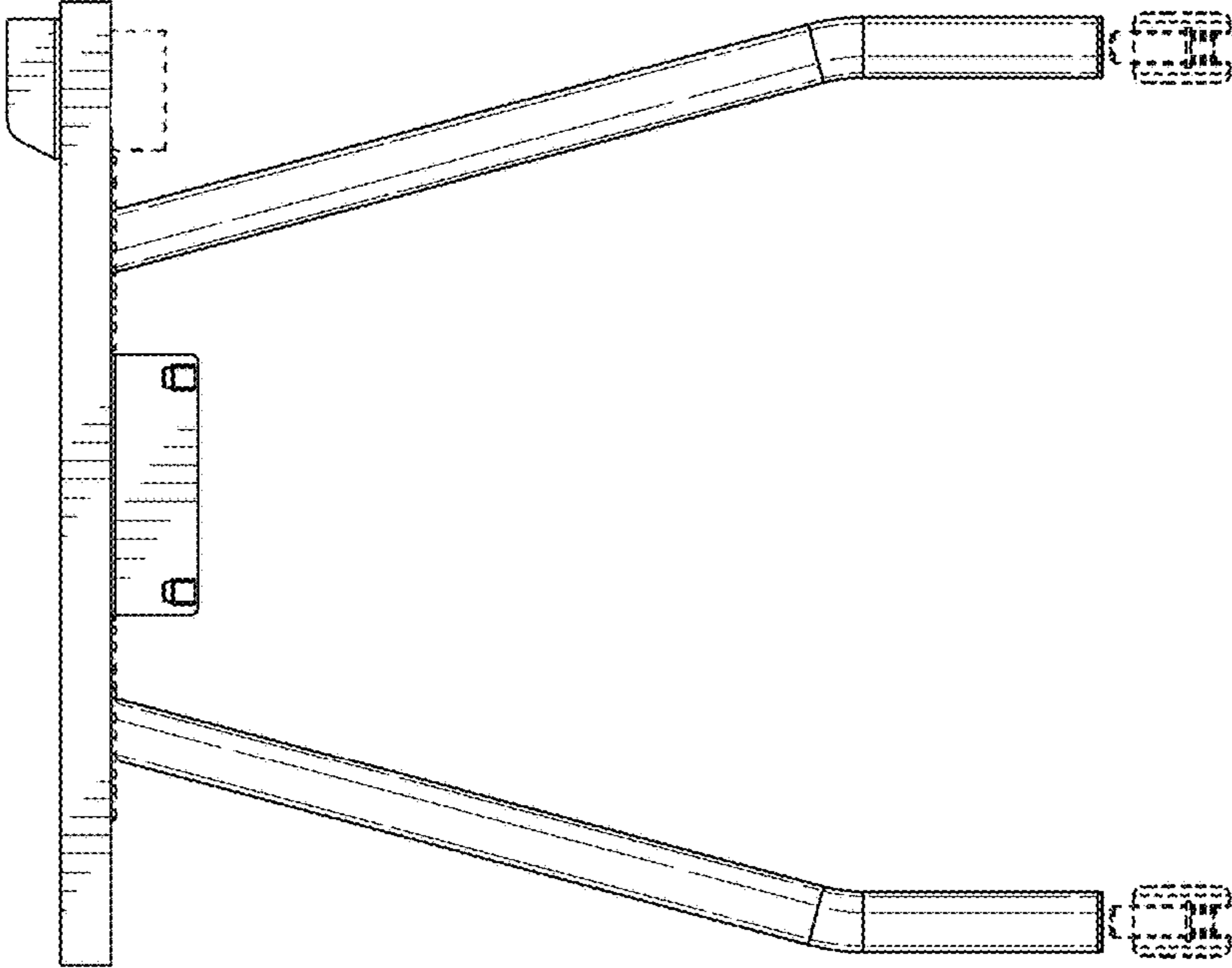


FIG. 6

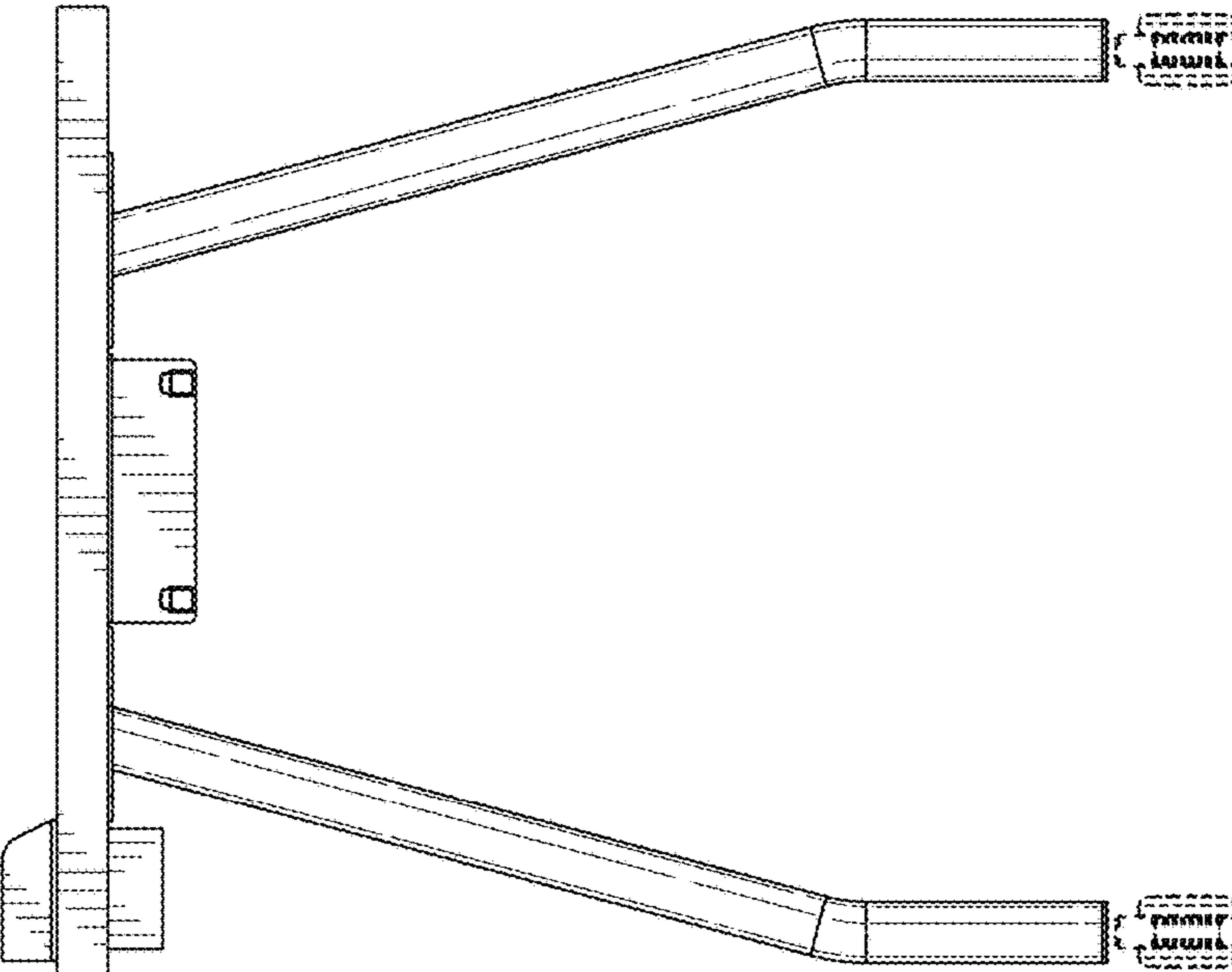


FIG. 7