



US00D856710S

(12) **United States Design Patent** (10) **Patent No.:** **US D856,710 S**
Ng (45) **Date of Patent:** **** Aug. 20, 2019**

(54) **PILLOW**

FOREIGN PATENT DOCUMENTS

(71) Applicant: **Christy Che Fun Ng**, Montclair, CA
(US)

CA 154081 10/2014
CA 154508 10/2014

(Continued)

(72) Inventor: **Christy Che Fun Ng**, Montclair, CA
(US)

OTHER PUBLICATIONS

(**) Term: **15 Years**

Elegant 3D sunflower throw pillow, reviewed Sep. 23, 2018, [online],
[site visited Jun. 5, 2019]. Available from Internet, URL: <https://www.etsy.com/listing/611022334/elegant-3d-sunflower-decorative-throw?ref=related-2&frs=1> (Year: 2018).*

(21) Appl. No.: **29/674,719**

(Continued)

(22) Filed: **Dec. 24, 2018**

(51) **LOC (12) Cl.** **06-09**

(52) **U.S. Cl.**

USPC **D6/601**

(58) **Field of Classification Search**

USPC D6/333, 349, 355, 375, 388, 512, 563,
D6/564, 595, 596, 601, 604, 611, 707,
D6/715, 716, 716.1; 5/401, 420, 600,
5/630, 631, 632, 633, 635, 636, 638, 639,
5/646, 652, 652.1, 655, 703, 730;
297/401, 420, 600, 630, 631, 632, 633,
297/635, 636, 638, 639, 646, 652, 652.1,
297/655, 703, 730

CPC A47G 9/02; A47G 9/0207; A47G 9/0215;
A47G 9/0223; A47G 9/023; A47G
9/0238; A47G 9/0246; A47G 9/0253;
A47G 9/0261; A47G 9/06; A47G 9/062;
A47G 9/066; A47G 9/08; A47G 9/083;
A47G 9/086; A47G 9/04; A47G 9/0292;
A47G 9/00; A47G 9/10; A47G 9/1009;
A47G 9/1027; A47G 9/1045; A47G
9/1063; A47G 9/1072; A47G 9/1081;
A47G 2009/0276; A47G

(Continued)

(56) **References Cited**

U.S. PATENT DOCUMENTS

D35,595 S * 1/1902 Bentley D6/600
D35,600 S * 1/1902 Bentley D6/600

(Continued)

Primary Examiner — Michelle E. Wilson

Assistant Examiner — Sanjeev Paul

(74) *Attorney, Agent, or Firm* — Cionca IP Law P.C.;
Marin Cionca

(57) **CLAIM**

The ornamental design for a pillow, as shown and described.

DESCRIPTION

FIG. 1 is a perspective view of the pillow showing the new design in a first state in which the pillow is filled;

FIG. 2 is a top plan view thereof;

FIG. 3 is a bottom plan view thereof;

FIG. 4 is a right side elevation view thereof;

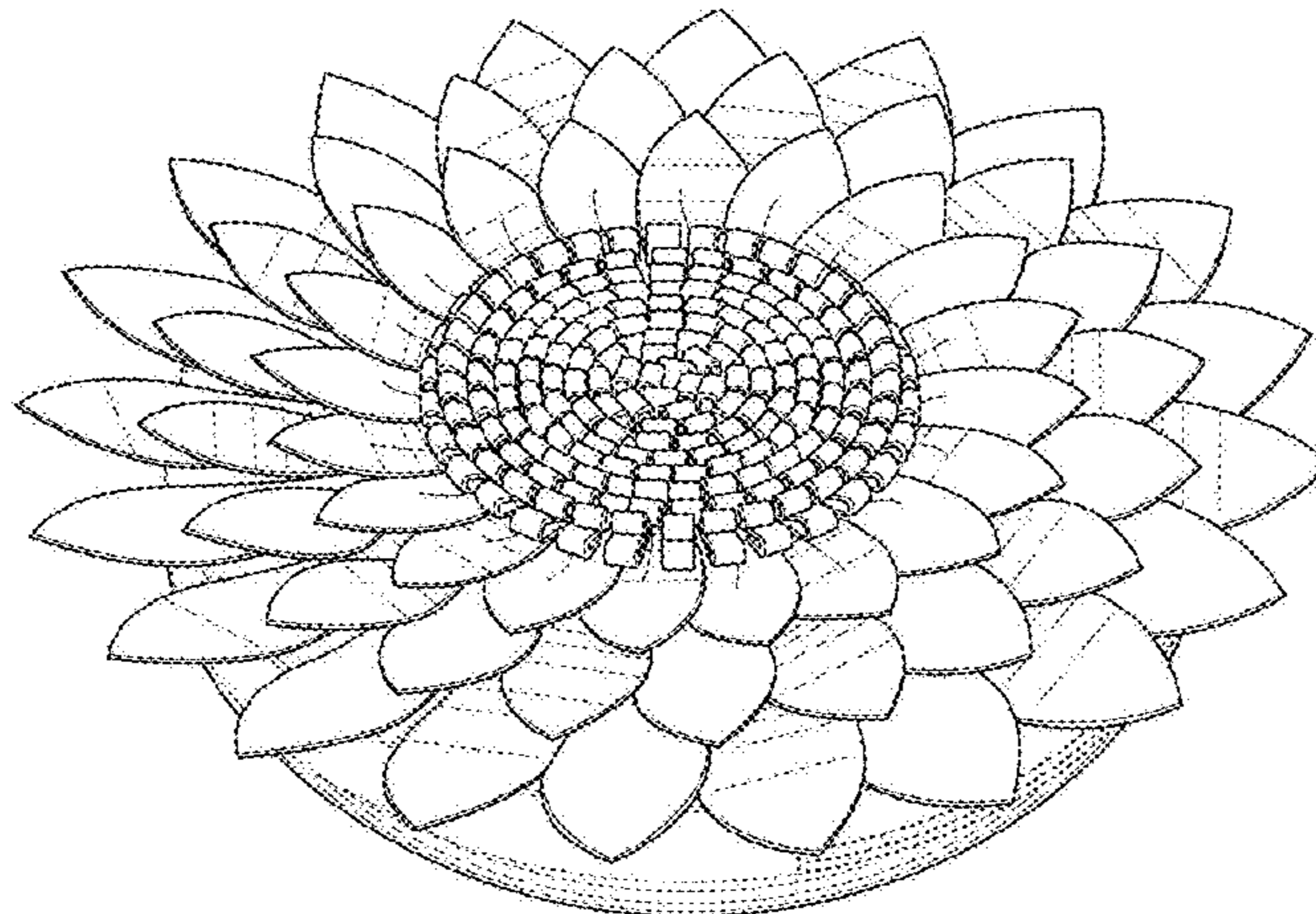
FIG. 5 is a left side elevation view thereof;

FIG. 6 is a right side elevation view of the pillow in a second state in which the pillow is unfilled; and,

FIG. 7 is a perspective view of the pillow from FIG. 6.

The broken lines immediately adjacent the shaded surfaces represent the bounds of the claimed design. The unshaded surfaces bounded by broken lines form no part of the claimed design. All other broken lines depict subject matter that forms no part of the claimed design.

1 Claim, 5 Drawing Sheets



(58) **Field of Classification Search**

CPC . 2009/001; A47G 2009/002; A47G 2009/003;
A47G 2009/005

See application file for complete search history.

FOREIGN PATENT DOCUMENTS

CN	301350821	*	9/2010
CN	304645518	*	5/2018
CN	304645519	*	5/2018

(56) **References Cited**

U.S. PATENT DOCUMENTS

690,914	A *	1/1902	Bentley	A47G 9/0253 5/490
D71,533	S *	11/1926	Sevier	D6/601
D228,338	S *	9/1973	O'Neil	D6/583
D324,657	S *	3/1992	Geschwender	D10/101
D336,401	S	6/1993	Hsu	
D353,073	S	12/1994	Birk	
5,437,070	A *	8/1995	Rempp	A47G 9/10 5/636
D366,176	S	1/1996	Gish	
D397,575	S *	9/1998	Miller	D6/600
D435,621	S *	12/2000	Peterson	D12/316
D492,581	S *	7/2004	Fahy	D8/378
6,859,964	B1 *	3/2005	Arnott	A47C 20/00 5/636
D504,044	S	4/2005	Marin	
D510,400	S *	10/2005	Rockstad	D21/808
D533,006	S *	12/2006	Boutin	D6/600
D539,375	S *	3/2007	Peterson	D21/803
D542,076	S *	5/2007	Refahzadeh	D6/614
D542,585	S *	5/2007	Justice	D6/600
7,244,038	B2 *	7/2007	Fotherby	A41G 1/005 362/101
D552,912	S	10/2007	Boutin	
D552,913	S	10/2007	Boutin	
D553,413	S	10/2007	Boutin	
D553,414	S	10/2007	Boutin	
D569,301	S *	5/2008	Fotherby	D11/117
D643,589	S *	8/2011	Malcolm	D2/610
D643,591	S *	8/2011	Malcolm	D2/610
D649,296	S *	11/2011	Stewart	D30/118
D655,558	S	3/2012	Koplin	
8,225,441	B2 *	7/2012	Heroux	A47G 9/10 5/636
D689,171	S *	9/2013	Morelock	D23/304
D712,681	S *	9/2014	Del Russo, Jr.	D6/600
8,888,310	B2 *	11/2014	Dayan	F21V 31/005 362/122
D773,858	S	12/2016	Takashima	
D789,026	S *	6/2017	Graham	D1/106
D790,021	S *	6/2017	Su	D21/808
D790,253	S	6/2017	Zuber	
D805,326	S	12/2017	Soto-Camacho et al.	
D817,662	S *	5/2018	Stepanov	D6/583
D827,334	S	9/2018	Moody	
D829,377	S	9/2018	Hartman et al.	
D832,615	S	11/2018	Searles	
D832,616	S	11/2018	Soto-Camacho et al.	
D832,617	S	11/2018	Soto-Camacho et al.	
D833,775	S	11/2018	Soto-Camacho et al.	
D835,381	S *	12/2018	Allio	D1/115
D840,723	S	2/2019	Dompierre	
D842,625	S	3/2019	Soto-Camacho et al.	
D845,891	S *	4/2019	Dayalan	D13/107
2011/0041244	A1 *	2/2011	Morelock	A47K 3/127 4/572.1

OTHER PUBLICATIONS

3D sunflower pillow, reviewed Sep. 23, 2018,[site visited Jun. 5, 2019]. URL: https://www.etsy.com/listing/640761977/unique-garden-3d-sunflower-decorative?ga_order=most_relevant&ga_search_type=all&ga_view_type=gallery&ga_search_query=sunflower+pillows&ref=sr_gallery-1-3&referring_page_type=market&frs=1 (Year: 2018).*

The Online Store, Flower Pillows, https://shoonline28.weebly.com/store/p6/Flower_pillows.html.

Williams-Sonoma, Inc., PB Teen, Flora Felt Pillow, <https://www.pbteen.com/products/dorm-flora-felt-pillow/>.

SewYouCanToo, Etsy.com, Felt Flower Pillow Pattern Isabella Flower Pillow Pattern with 2 Bonus Pillow over Pattern Tutorial PDF ePattern How To, <https://www.etsy.com/listing/98643010/felt-flower-pillow-pattern-isabella>.

Burlap+Blue, Shabby Flower Pillow (A Tutorial), <https://www.burlapandblue.com/shabby-flower-pillow-a-tutorial/>.

ClassyClutter, How to make a Felt Flower Pillow, Sep. 7, 2010, <https://www.classyclutter.net/felt-flower-pillow-to-die-for-with-tutorial/>.

Fennco Styles, Eva's Flower Garden Decorative Throw Pillow, Las Vegas, NV, <http://fenncostyles.com/evas-flower-garden-decorative-throw-pillow/>.

Fennco Styles, Fennco Styles Unique Garden 3D Sunflower Decorative Throw Pillow 13—Ince Round (Case +Insert), Las Vegas, NV, <http://fenncostyles.com/unique-garden-3d-sunflower-decorative-throw-pillow-13-inch-round-case-insert/>.

FenncoStyles, Multi Rose Motifs Felt Decorative 15-inch Round Throw Pillow (Fuchsia, Case Only), Amazon.com, https://www.amazon.com/Motifs-Decorative-15-inch-Pillow-Fuchsia/dp/B07BX2KGJC?ref=fscpl_dp_4.

Emily, How to Make a Flower Pillow, One Lovely Life, Aug. 3, 2010, <https://www.onelovelylife.com/how-to-make-a-flower-pillow/>.

JWH, JWH Handmade 3D Flowers Accent Pillow Round Sunflower Cushion Decorative Pillowcase with Pillow Insert Home Sofa Bed Living Room Decor Gift 12 Inch / 30 cm Cotton Canvas Wool Yellow, Amazon.com, https://www.amazon.com/JWH-Handmade-Sunflower-Decorative-Pillowcases/dp/B071XWZ3H7/ref=sr_1_2?qid=1555966504&refinements=p_n_pattern_browse-bin%/3A671853011&s=bedbath&sr=1-2.

ThePlushPineapple, Pillow Cover—Flower Pillow Cover—Turquoise Flower Pillow Cover—12 x16 Pillow Cover—Rectangle Pillow Cover, Etsy.com, https://www.etsy.com/listing/177437140/pillow-cover-flower-pillow-cover?ga_order=most_relevant&ga_search_type=all&ga_view_type=gallery&ga_search_query=flower+pillow&ref=sr_gallery-1-33&-col=1.

Hani, 20 DIY Handmade Flower Tutorials (Best Ideas), Craftionary, Jul. 27, 2011, <https://www.craftionary.net/diy-handmade-flower-inspiration-best-ideas/>.

* cited by examiner

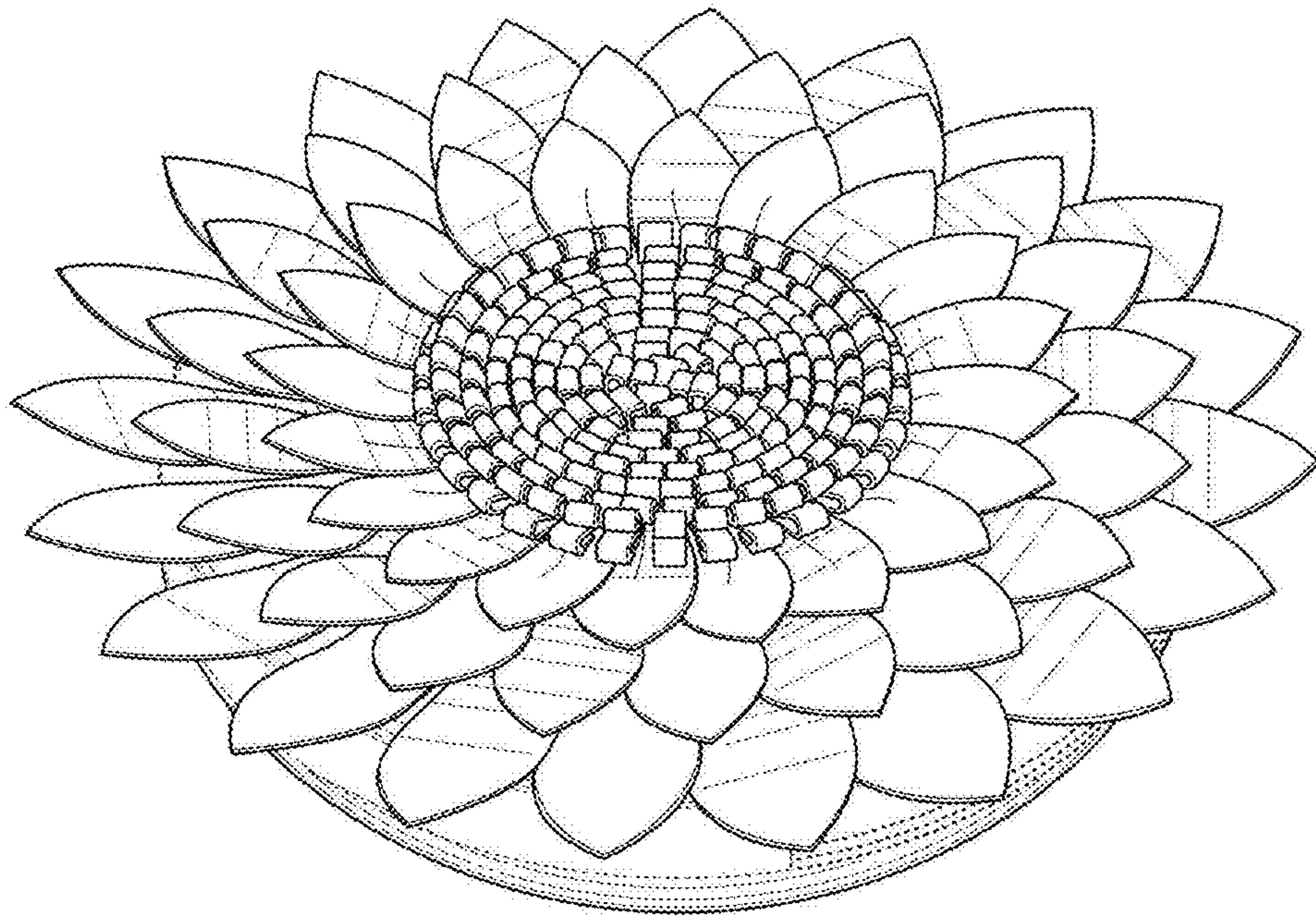


FIG. 1

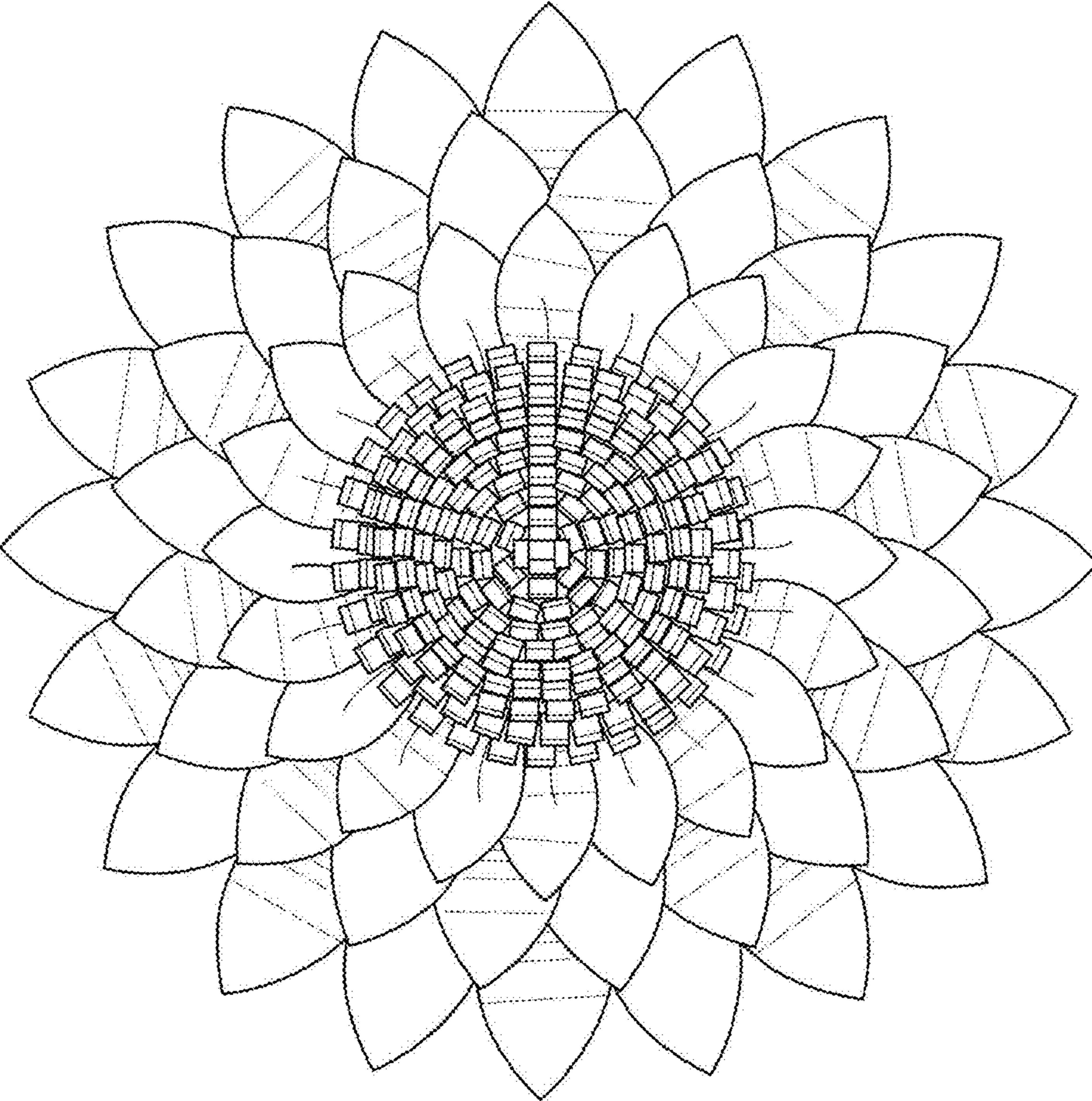


FIG. 2

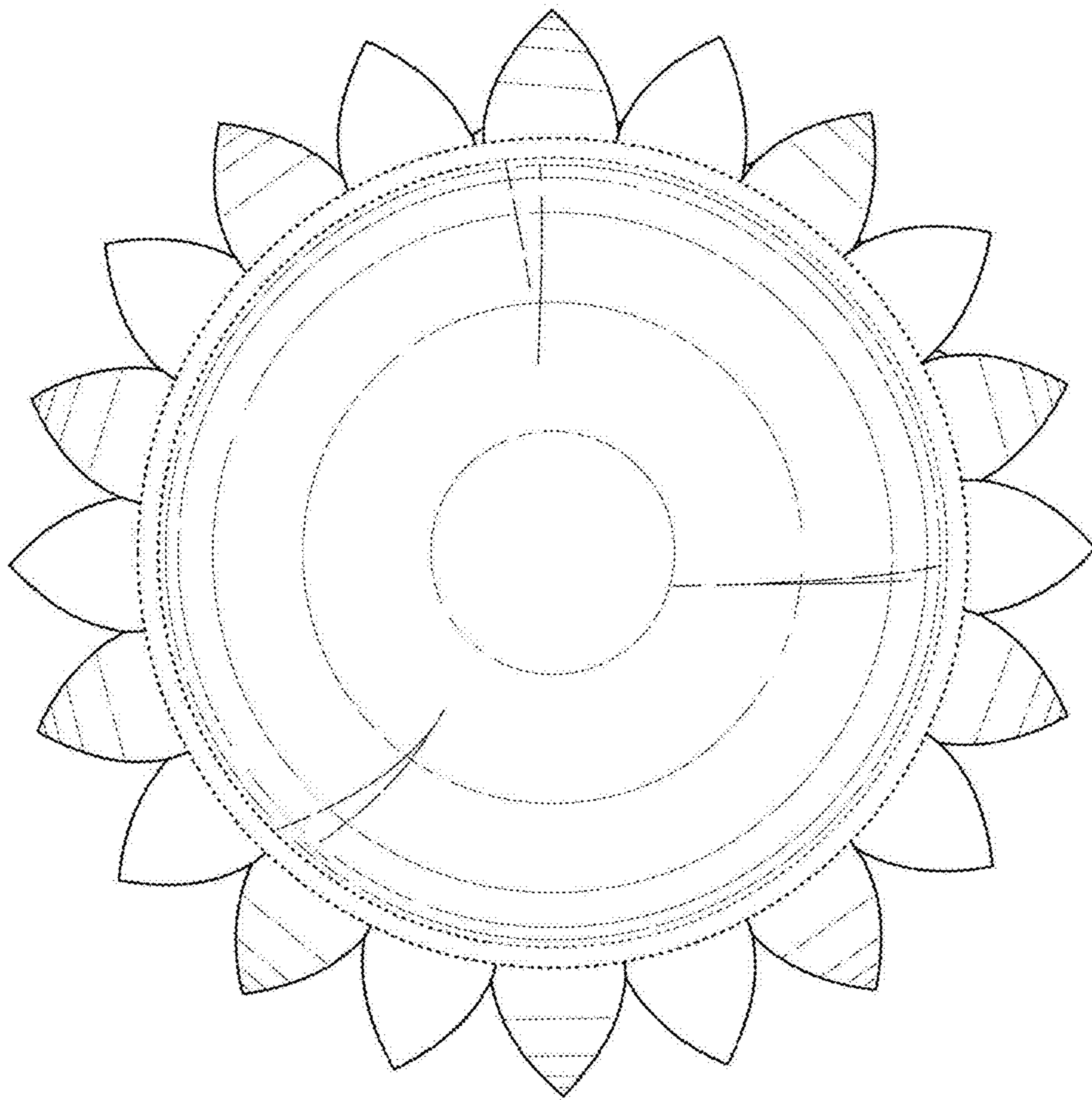


FIG. 3

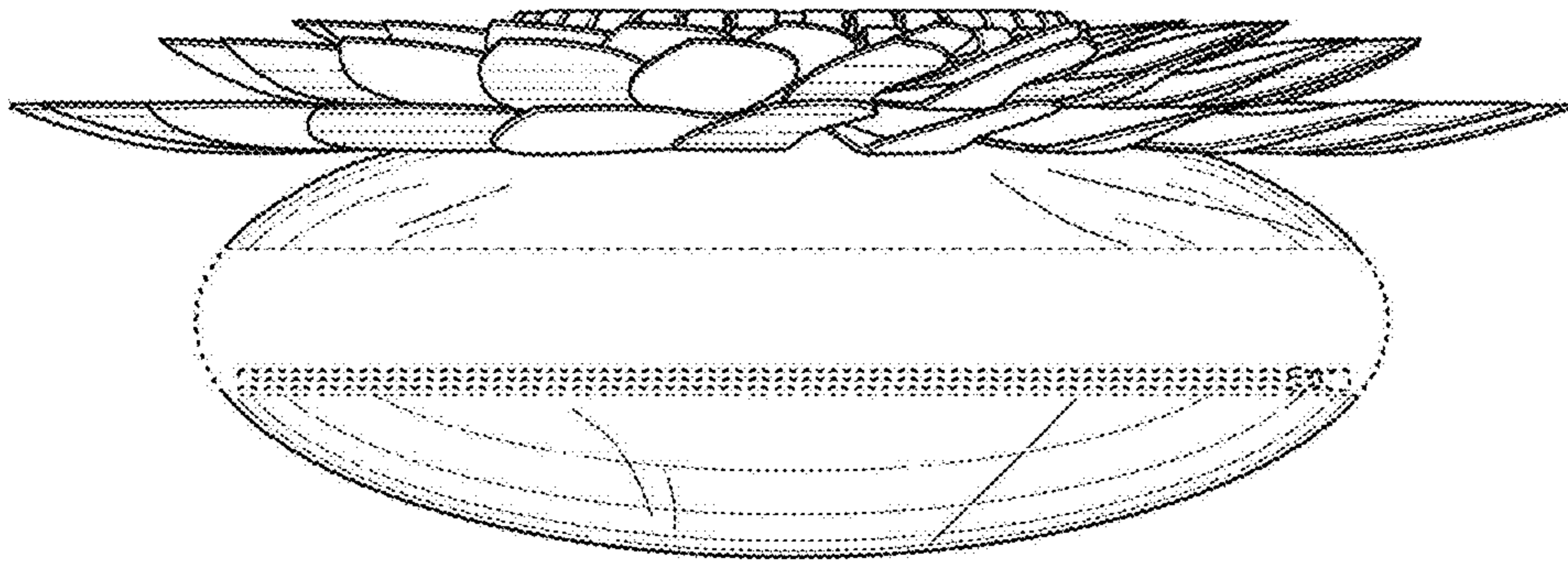


FIG. 4

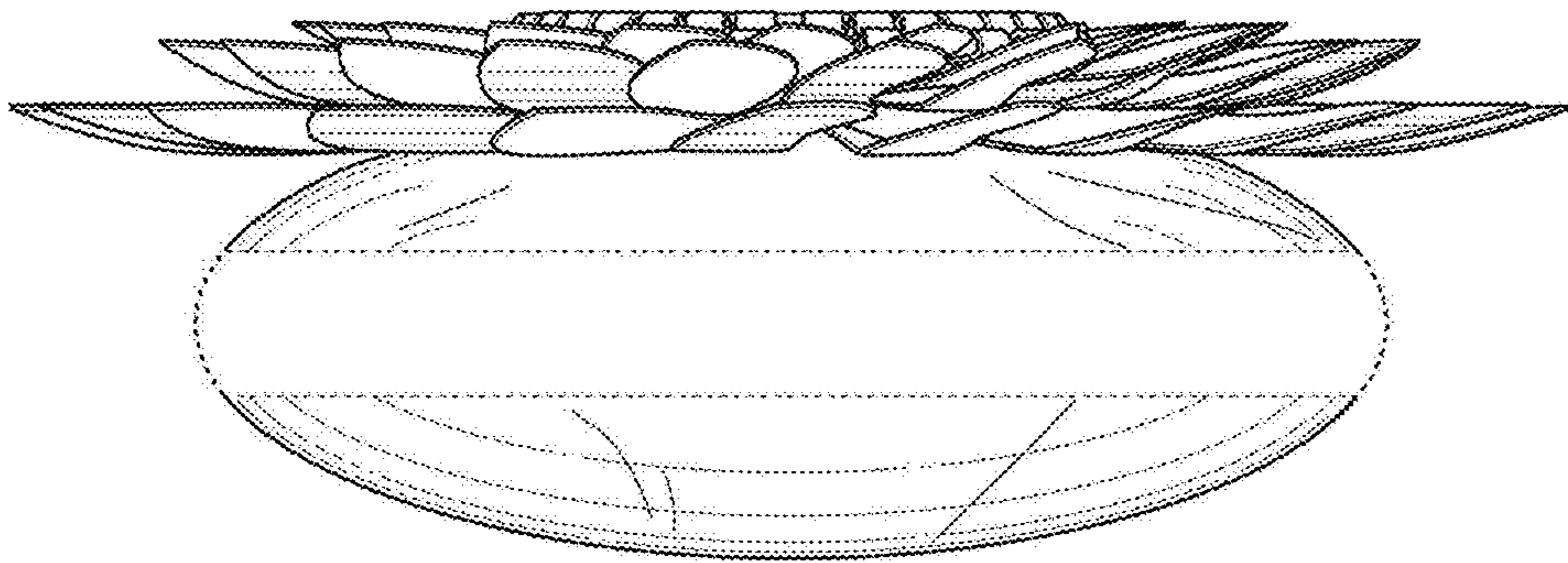


FIG. 5

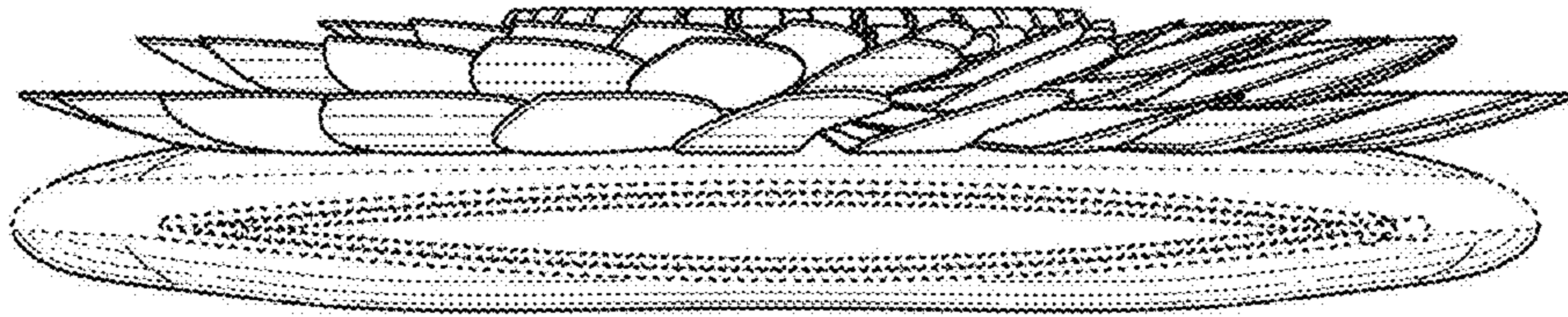


FIG. 6

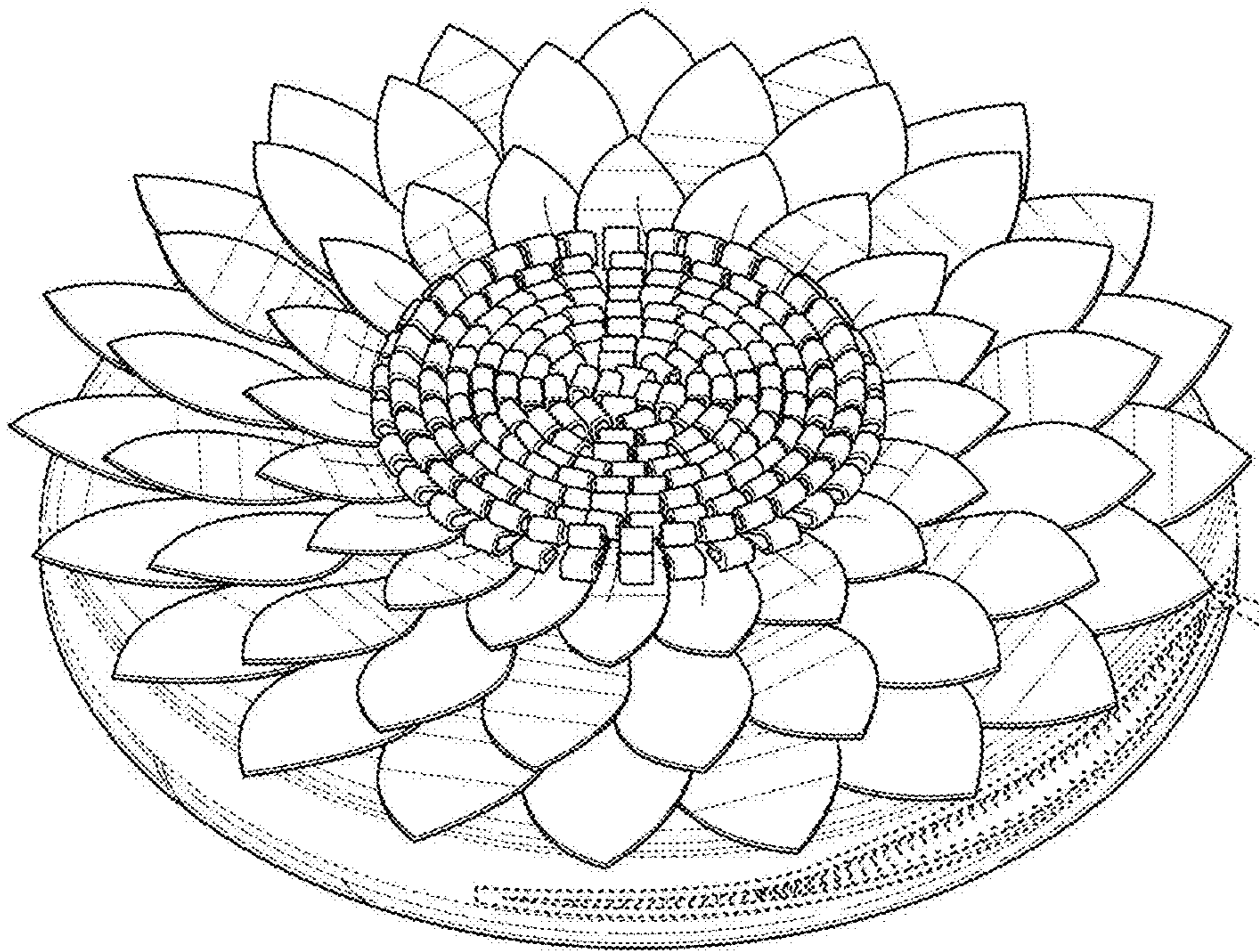


FIG. 7