



US00D856707S

(12) **United States Design Patent**
Wilt

(10) **Patent No.:** **US D856,707 S**

(45) **Date of Patent:** **** Aug. 20, 2019**

(54) **MULTI-DEPTH POSITIVE AIRWAY
PRESSURE PILLOW**

(71) Applicant: **Aaron Wilt**, North Kansas City, MO
(US)

(72) Inventor: **Aaron Wilt**, North Kansas City, MO
(US)

(**) Term: **15 Years**

(21) Appl. No.: **29/635,395**

(22) Filed: **Jan. 30, 2018**

(51) **LOC (12) Cl.** **06-09**

(52) **U.S. Cl.**
USPC **D6/601**

(58) **Field of Classification Search**

USPC D6/595-597, 582, 601, 603, 604, 606
CPC . A47G 9/00; A47G 9/06; A47G 9/062; A47G
9/083; A47G 9/086; A47G 9/10; A47G
9/1027; A47G 9/1054; A47G 9/1063;
A47G 9/1072; A47G 2009/1018; A47C
17/64; A47C 21/026

See application file for complete search history.

(56) **References Cited**

U.S. PATENT DOCUMENTS

D474,364 S * 5/2003 Arcieri D6/601
D548,842 S * 8/2007 Elnkaveh D24/188

D634,960 S * 3/2011 Anson D6/601
D829,470 S * 10/2018 Huang D6/601
D838,513 S * 1/2019 Davis D6/601
2010/0200001 A1 * 8/2010 Randall A61F 5/56
128/845

* cited by examiner

Primary Examiner — R. Johnson

(74) *Attorney, Agent, or Firm* — Jeffrey T. Breloski;
ATLawip LLC

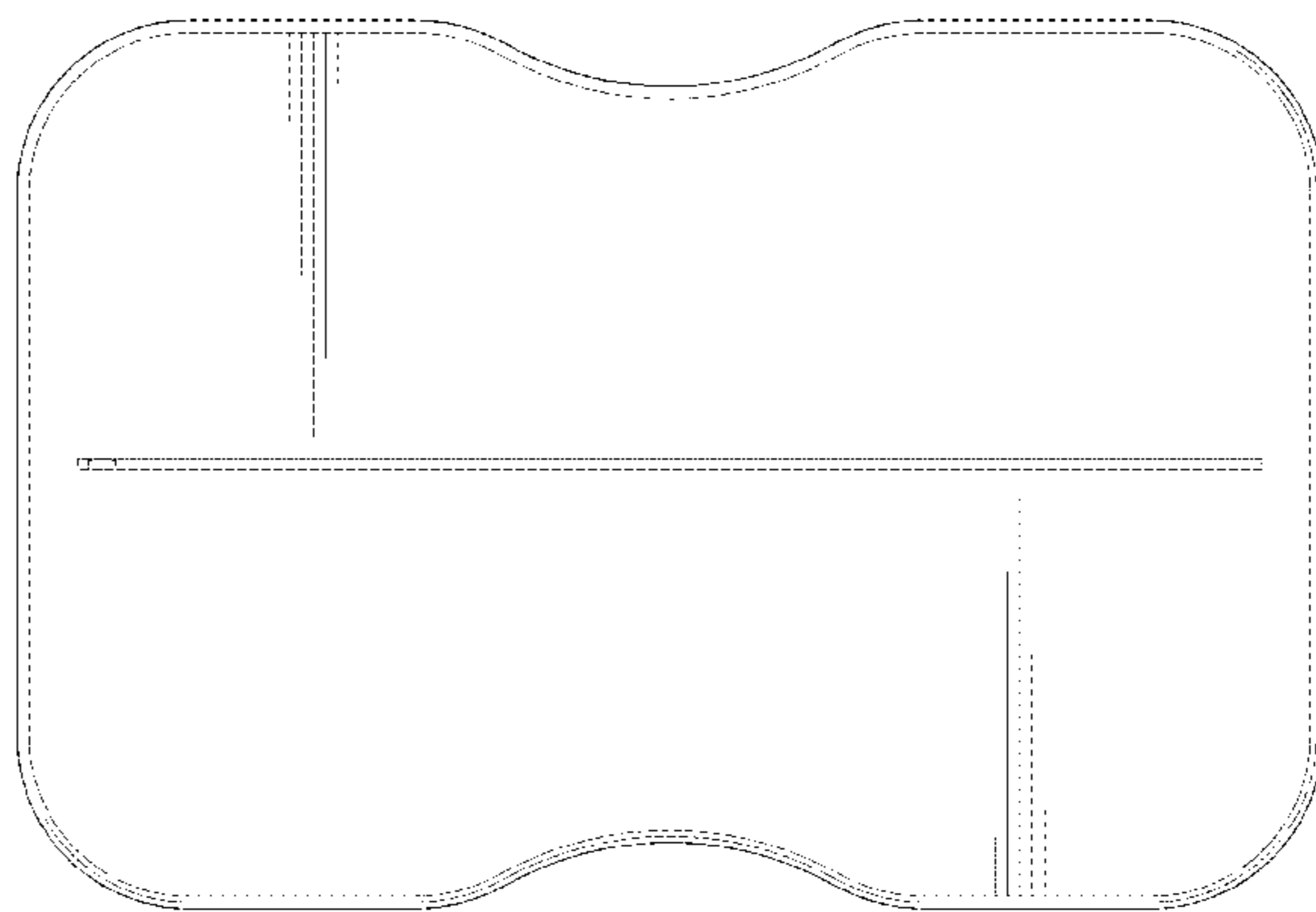
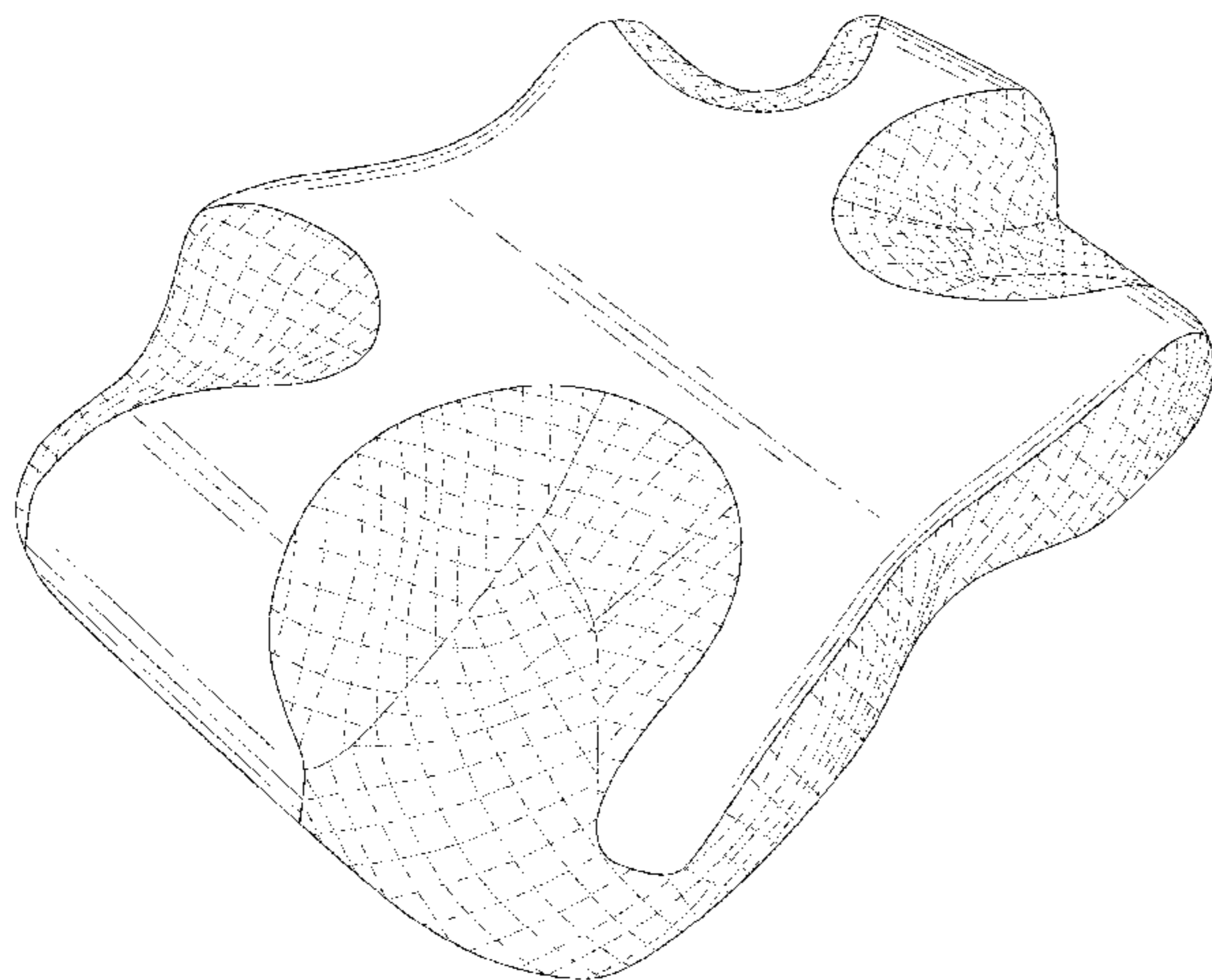
(57) **CLAIM**

The ornamental design for a multi-depth positive airway pressure pillow, as shown and described.

DESCRIPTION

FIG. 1 is a front perspective view of a multi-depth positive airway pressure pillow according to my design; FIG. 2 is a front elevational view thereof; FIG. 3 is a top elevational view thereof; FIG. 4 is a bottom elevational view thereof; FIG. 5 is a back elevational view thereof; FIG. 6 is a left side elevational view thereof; and, FIG. 7 is as right side elevational view thereof. The broken lines represent stitching, which forms a part of the claimed design.

1 Claim, 3 Drawing Sheets



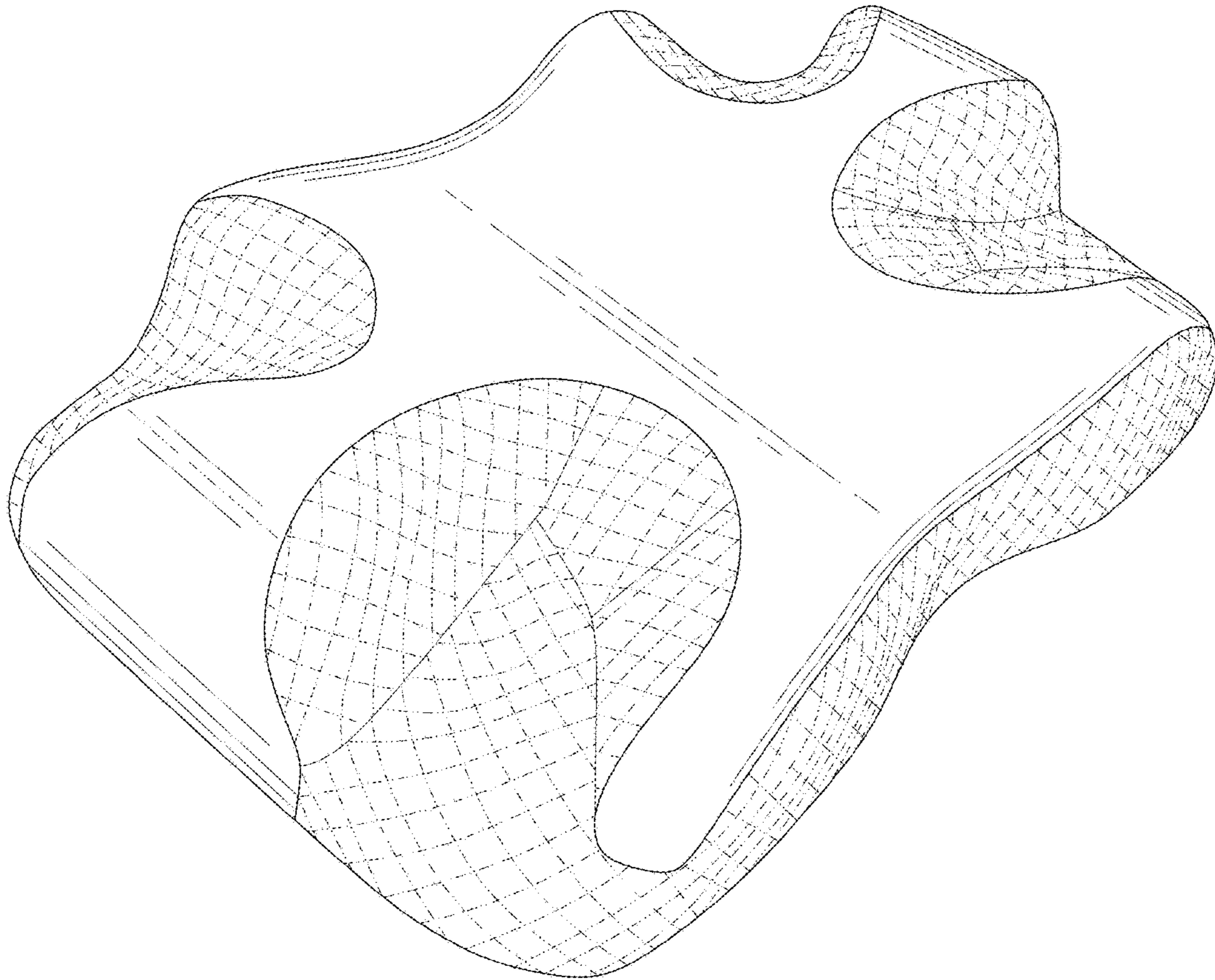


Fig. 1

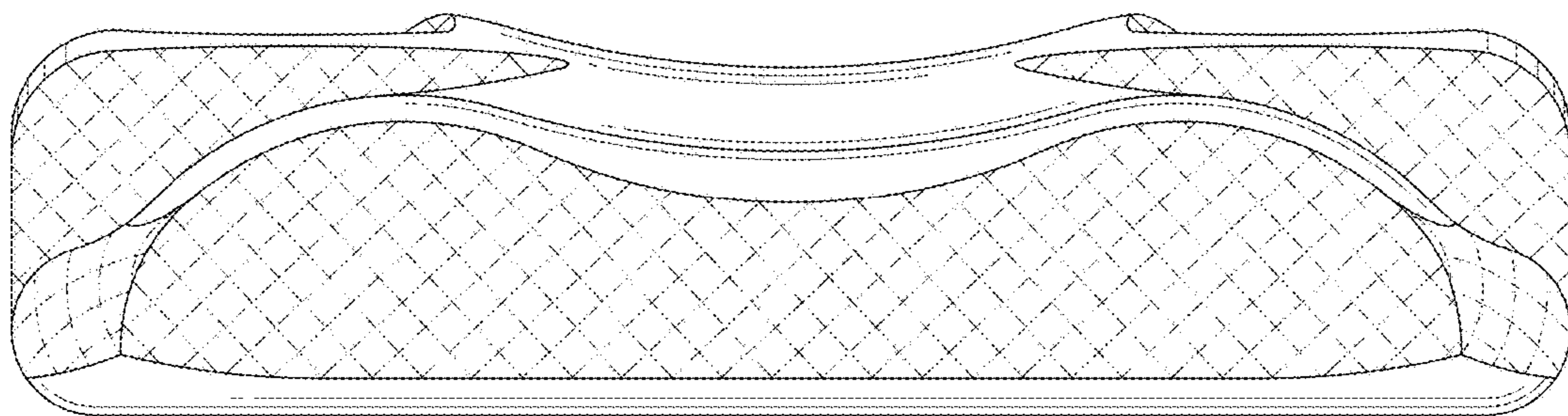


Fig. 2

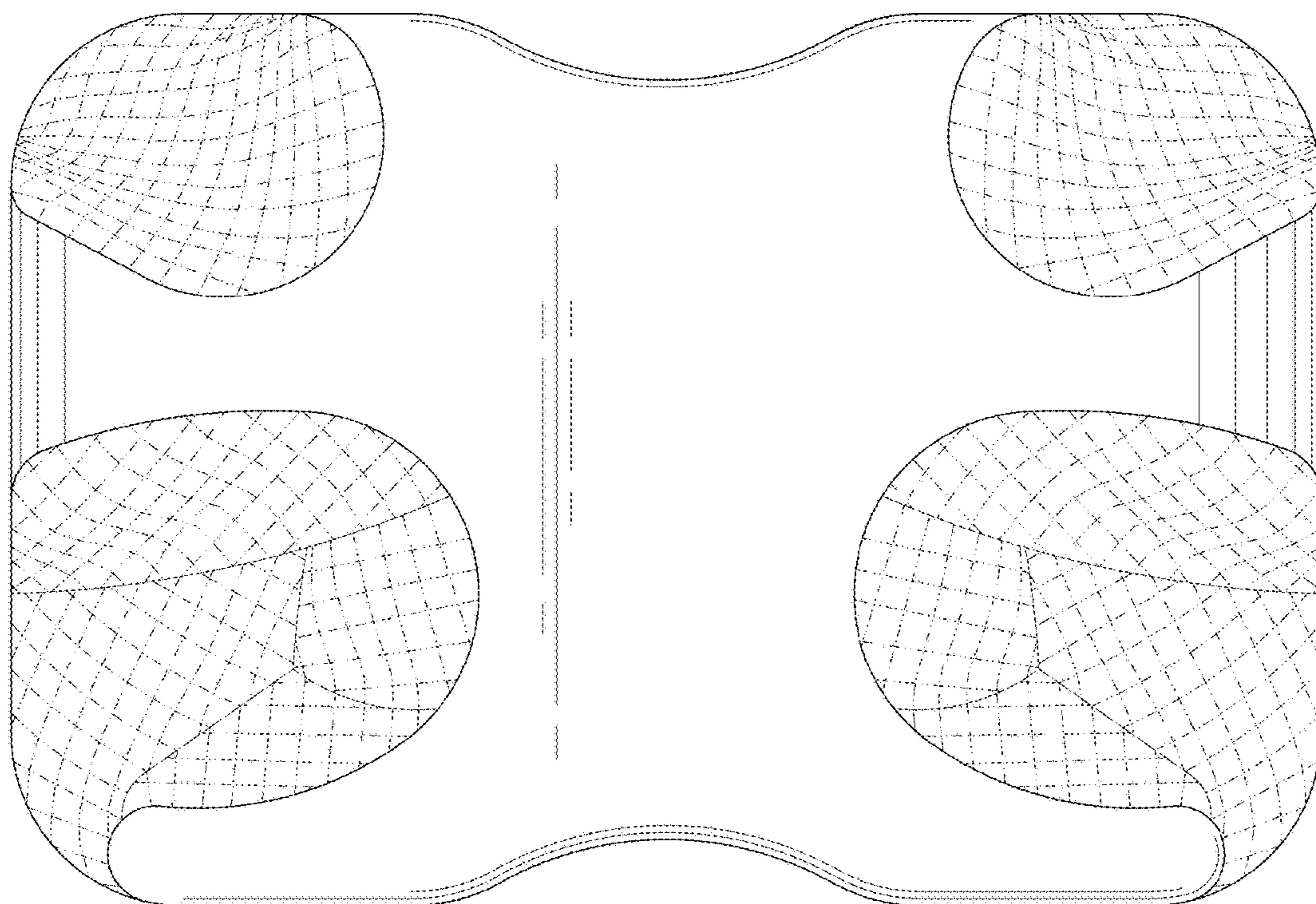


Fig. 3

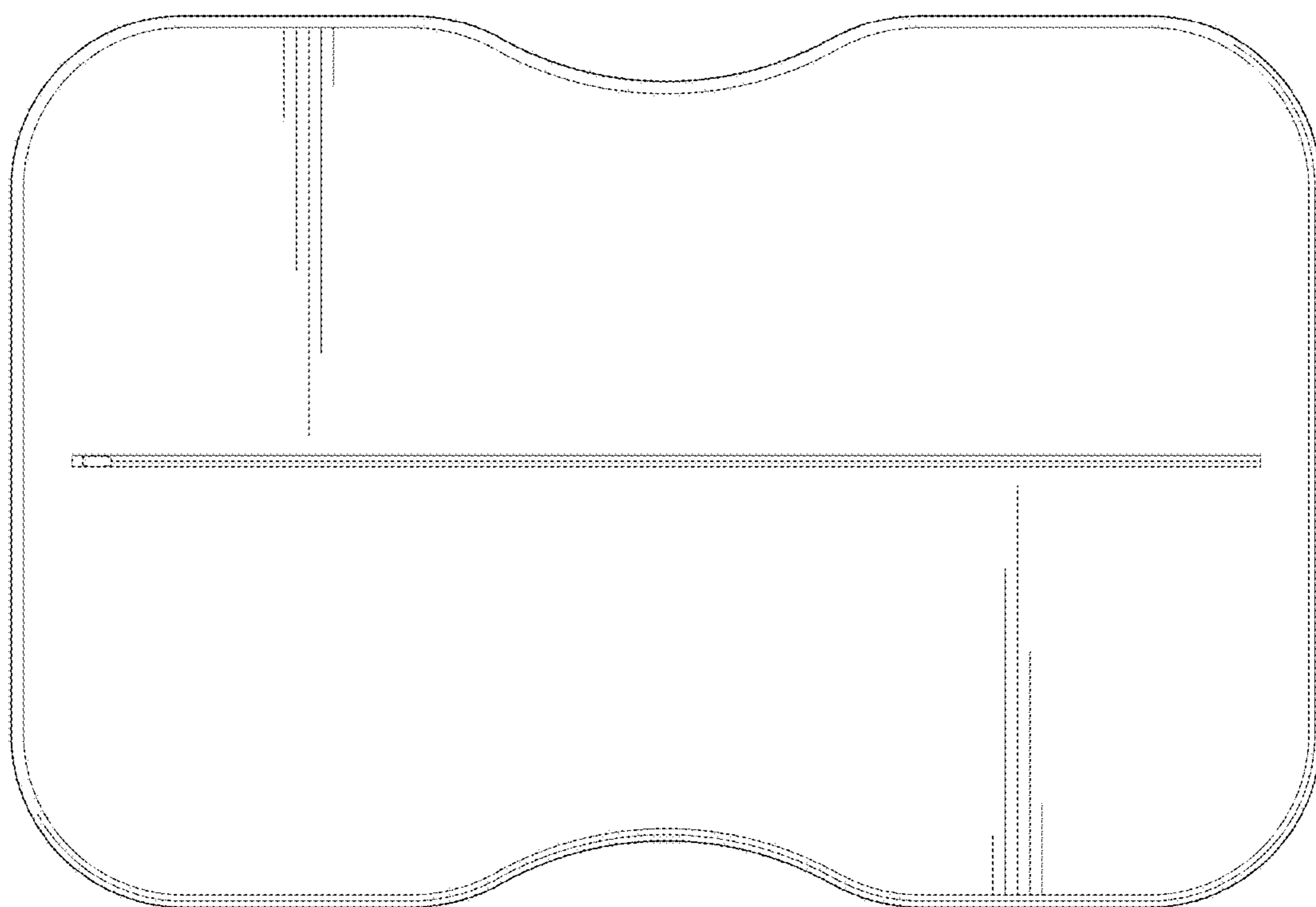


Fig. 4

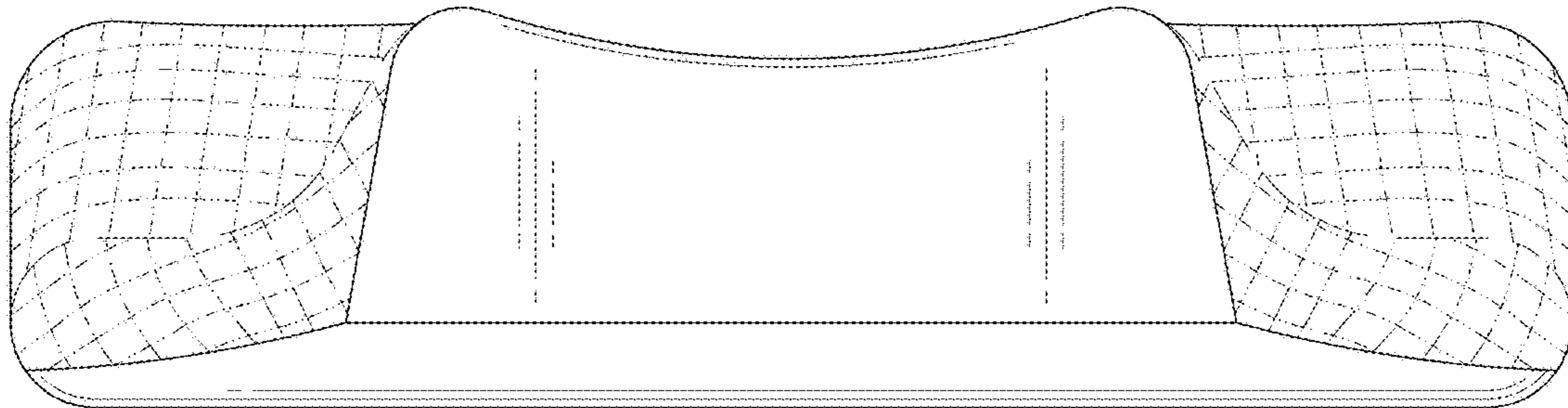


Fig. 5

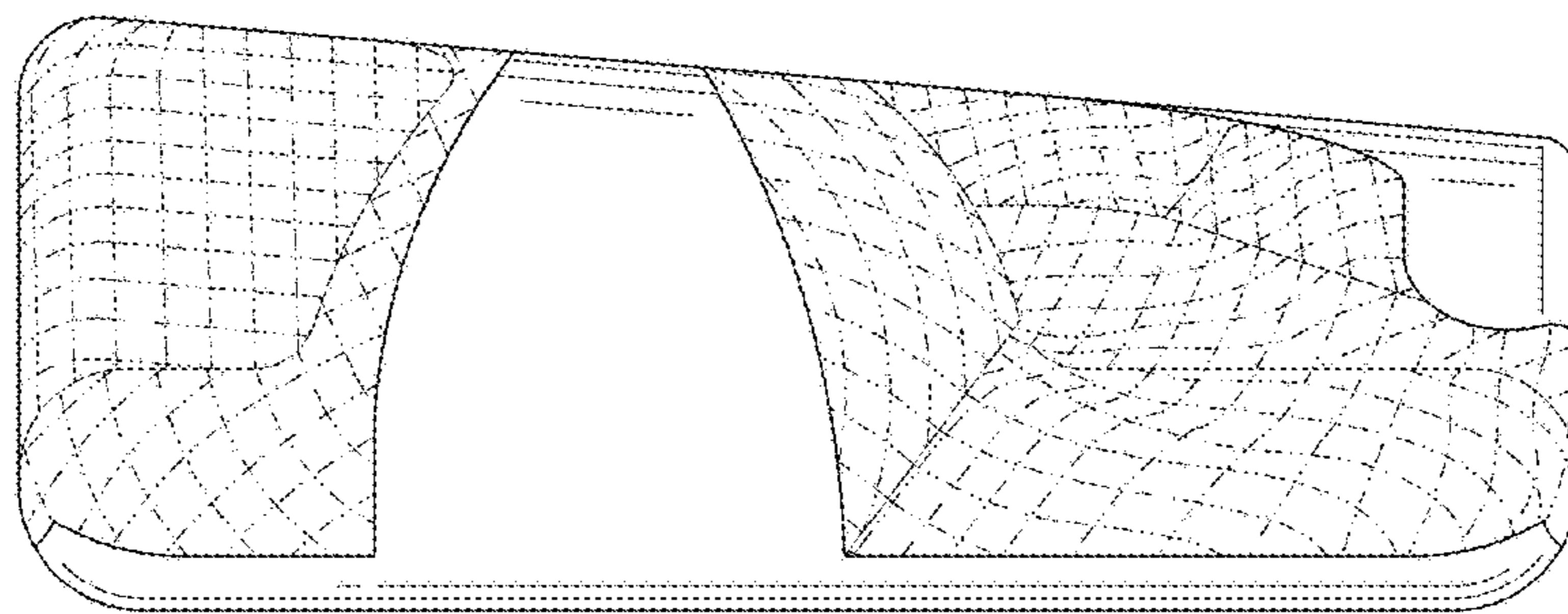


Fig. 6

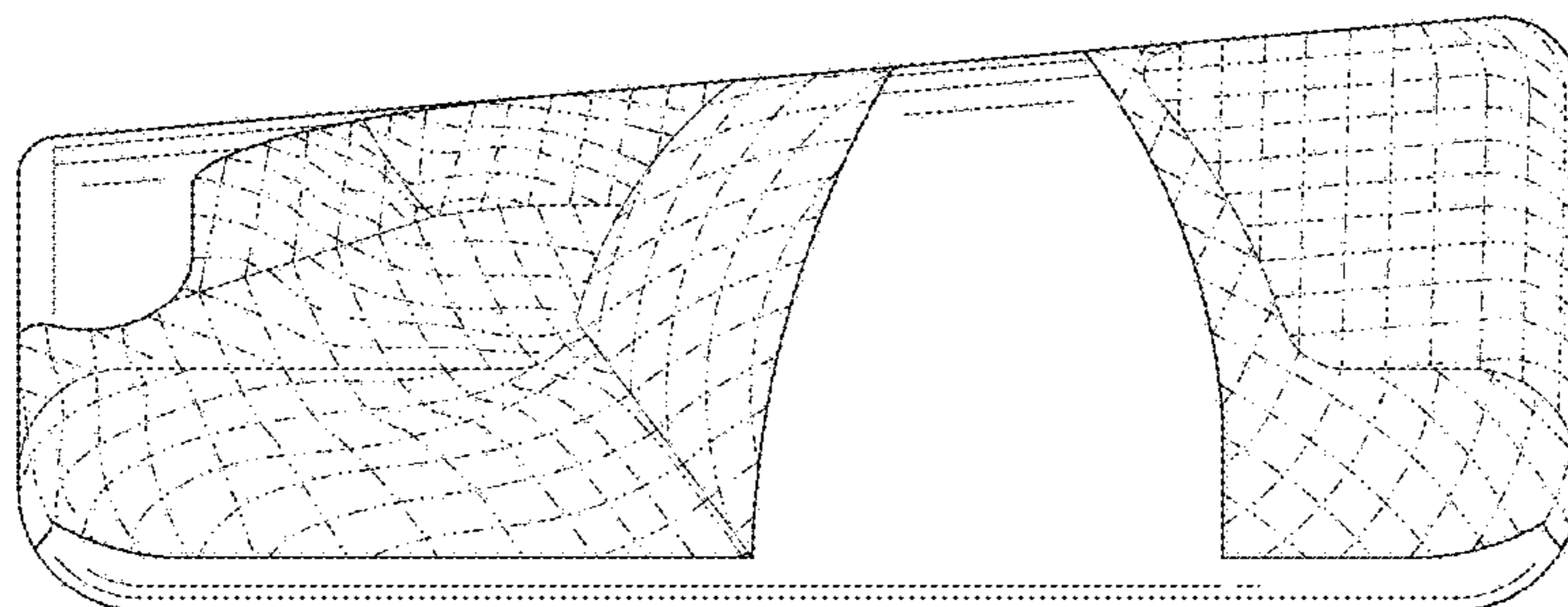


Fig. 7