

US00D856706S

(12) **United States Design Patent**  
**Moffett**

(10) **Patent No.:** **US D856,706 S**

(45) **Date of Patent:** **\*\* Aug. 20, 2019**

(54) **SITTING CUSHION HAVING A CUTOUT PORTION**

(71) Applicant: **Linda Moffett**, Spearfish, SD (US)

(72) Inventor: **Linda Moffett**, Spearfish, SD (US)

(\*\*) Term: **15 Years**

(21) Appl. No.: **29/594,433**

(22) Filed: **Feb. 17, 2017**

(51) **LOC (12) Cl.** ..... **06-09**

(52) **U.S. Cl.**  
USPC ..... **D6/601**

(58) **Field of Classification Search**  
USPC ..... D6/333, 349, 355, 375, 388, 512, 563,  
D6/564, 595, 596, 601, 604, 611, 707,  
D6/715, 716, 716.1; D24/183-185, 234;  
D21/803, 804, 805, 809; 5/401, 420,  
5/600, 630, 631, 632, 633, 635, 636, 638,  
5/639, 646, 652, 652.1, 655, 703, 730;  
297/401, 420, 600, 630, 631, 632, 633,  
297/635, 636, 638, 639, 646, 652, 652.1,  
297/655, 703, 730

CPC ..... A47G 9/10; A47G 9/1009; A47G 9/1027;  
A47G 9/1045; A47G 9/1063; A47G  
9/1072; A47G 9/00; A47G 9/02; A47G  
9/0207; A47G 9/0215; A47G 9/0223;  
A47G 9/023; A47G 9/0238; A47G  
9/0246; A47G 9/0253; A47G 9/0261;  
A47G 2009/001; A47G 2009/002; A47G  
2009/003; A47G 2009/005; A47G  
2009/006; A47G 9/06; A47G 9/062;  
A47G 9/066; A47G 9/068; A47G 9/08;  
A47G 9/0284; A47G 9/0292; A47G 9/04

See application file for complete search history.

(56) **References Cited**

**U.S. PATENT DOCUMENTS**

2,835,905 A \* 5/1958 Tomasson ..... A47G 9/10  
5/632

3,009,172 A \* 11/1961 Eidam ..... A47G 9/10  
5/632

3,757,364 A \* 9/1973 Downing ..... A47G 9/10  
5/636

4,473,913 A \* 10/1984 Ylvisaker ..... A47C 20/021  
5/632

D311,109 S \* 10/1990 Geschwender ..... D6/601

D334,159 S \* 3/1993 Mulligan ..... 5/653

D395,568 S \* 6/1998 Davis ..... D6/601

(Continued)

**OTHER PUBLICATIONS**

As Seen on TV Miracle Rayon from Bamboo Cushion Pillow Gray:  
Target, <https://www.target.com/p/as-see-on-tv-miracle-rayon-from-bamboo-cushion-pillow-gray>, printed on Dec. 18, 2018, 5 pages.

*Primary Examiner* — Michelle E. Wilson

*Assistant Examiner* — Sanjeev Paul

(74) *Attorney, Agent, or Firm* — Harness, Dickey &  
Pierce, P.L.C.

(57) **CLAIM**

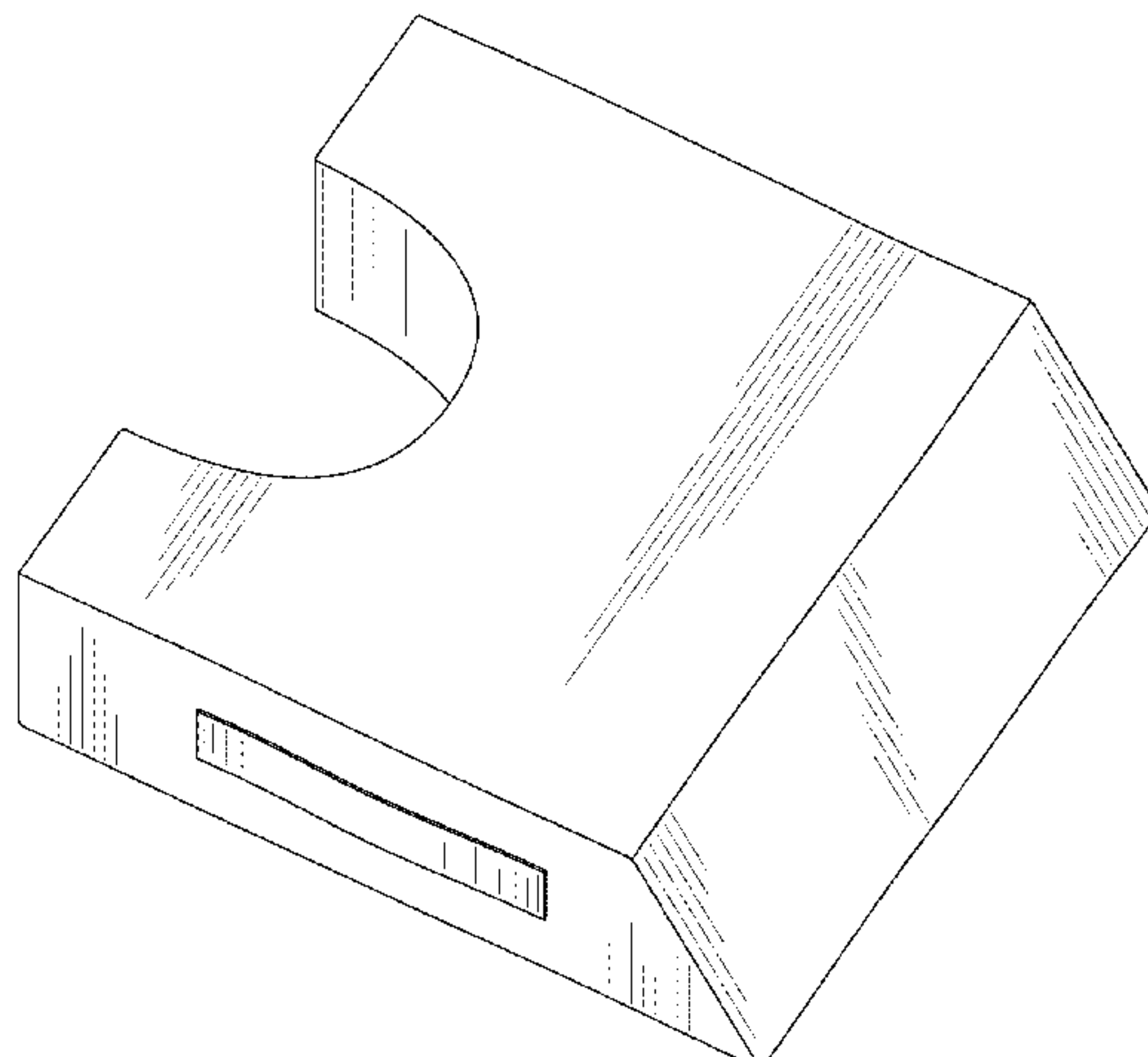
The ornamental design for a sitting cushion having a cutout portion, as shown and described.

**DESCRIPTION**

FIG. 1 is an isometric view of a sitting cushion having a cutout portion in accordance with my new design;  
FIG. 2 is a front elevation view thereof;  
FIG. 3 is a rear elevation view thereof;  
FIG. 4 is a right side view thereof;  
FIG. 5 is a left side view thereof;  
FIG. 6 is a top plan view thereof; and,  
FIG. 7 is a bottom plan view thereof.

The details shown in broken lines in the example embodiments are for illustrative purposes only in those embodiments and form no part of the design claimed with respect to those embodiments.

**1 Claim, 5 Drawing Sheets**



(56)

**References Cited**

U.S. PATENT DOCUMENTS

D441,587	S *	5/2001	Cameron .....	D6/601
D452,404	S *	12/2001	Cameron .....	D6/601
D599,151	S *	9/2009	Wilson .....	D6/601
D628,845	S *	12/2010	Guner .....	D6/601
D637,439	S *	5/2011	Mettler .....	D6/601
D637,440	S *	5/2011	Mettler .....	D6/601
D645,693	S *	9/2011	Rothbard .....	D6/601
D673,410	S *	1/2013	O'Connell .....	D6/601
D677,507	S *	3/2013	Rocha .....	D6/601
D686,849	S *	7/2013	Sack .....	D6/601
D689,757	S *	9/2013	Mukaide .....	D8/343
D732,313	S *	6/2015	Fux .....	D6/601
D754,354	S *	4/2016	Revere .....	D24/183
D754,990	S *	5/2016	Velasquez .....	D6/601
D755,543	S *	5/2016	Upadhyay .....	D6/601
D764,189	S *	8/2016	Edwards .....	D6/349
D839,636	S *	2/2019	Yu .....	D6/601
2009/0007336	A1 *	1/2009	Kassai .....	A47D 13/08 5/655

\* cited by examiner

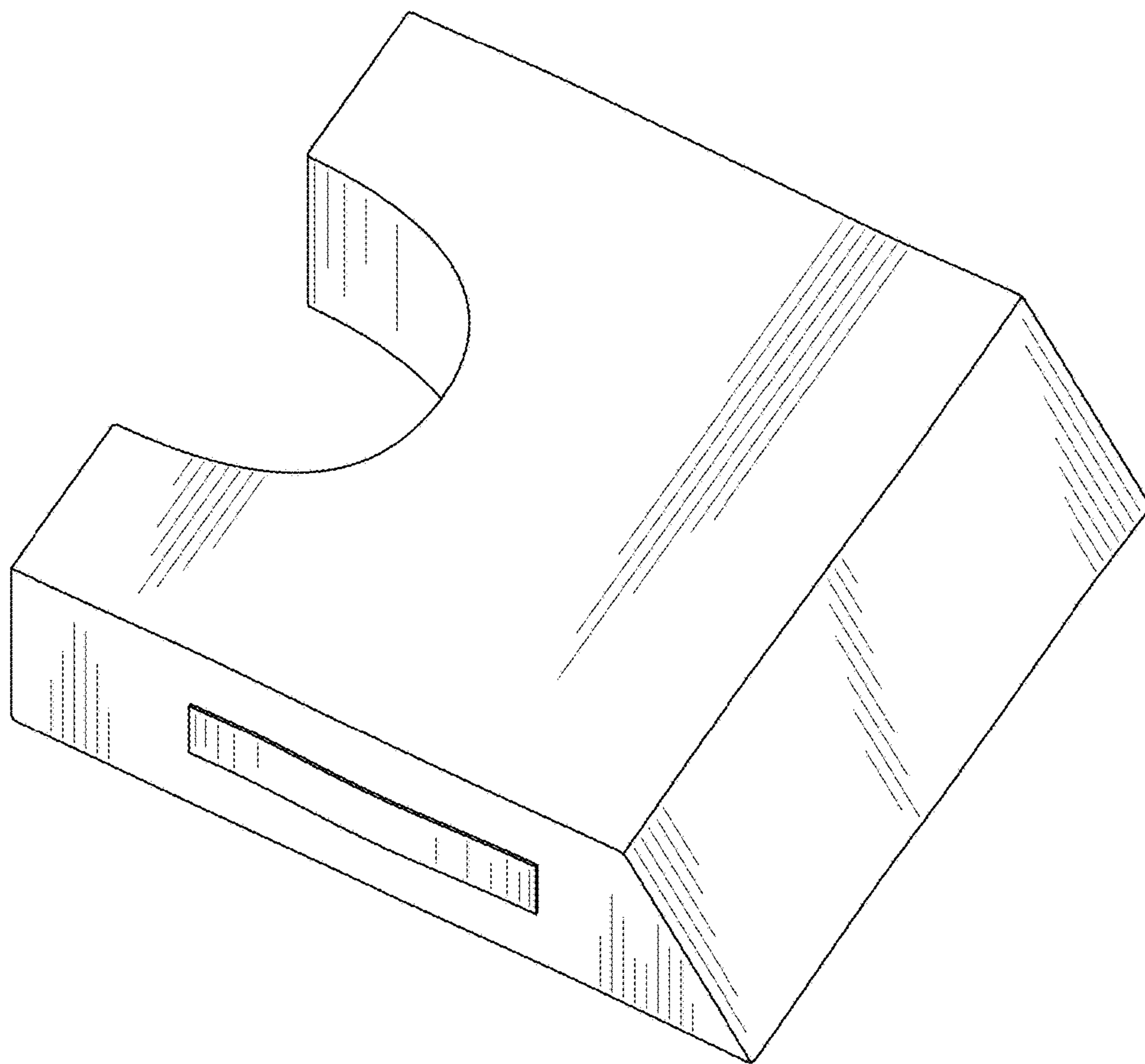


FIG. 1

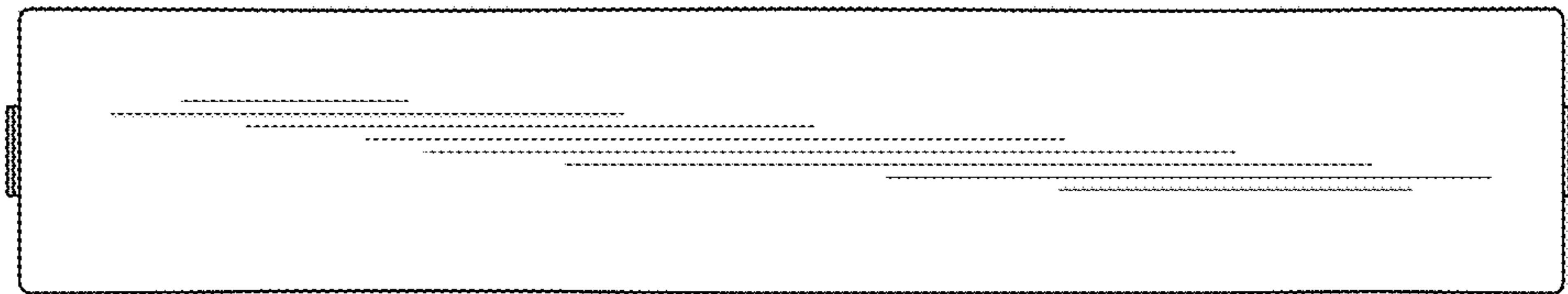


FIG. 2

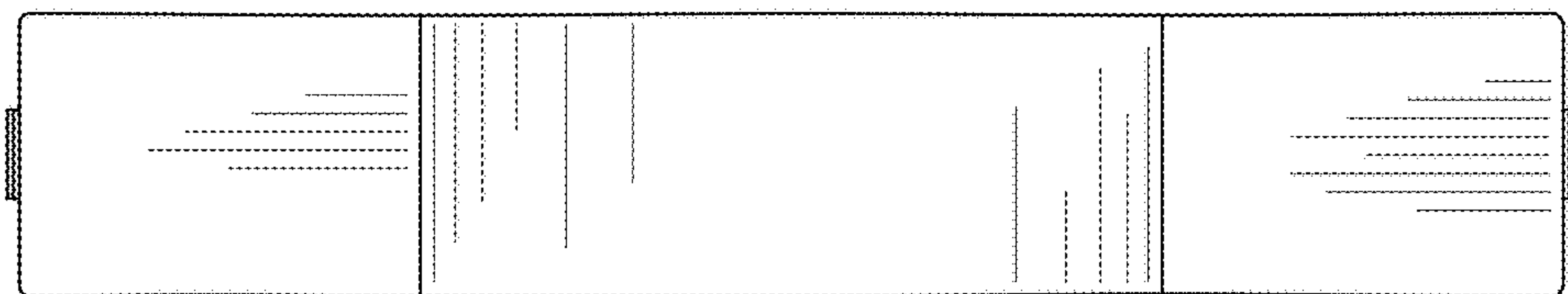


FIG. 3

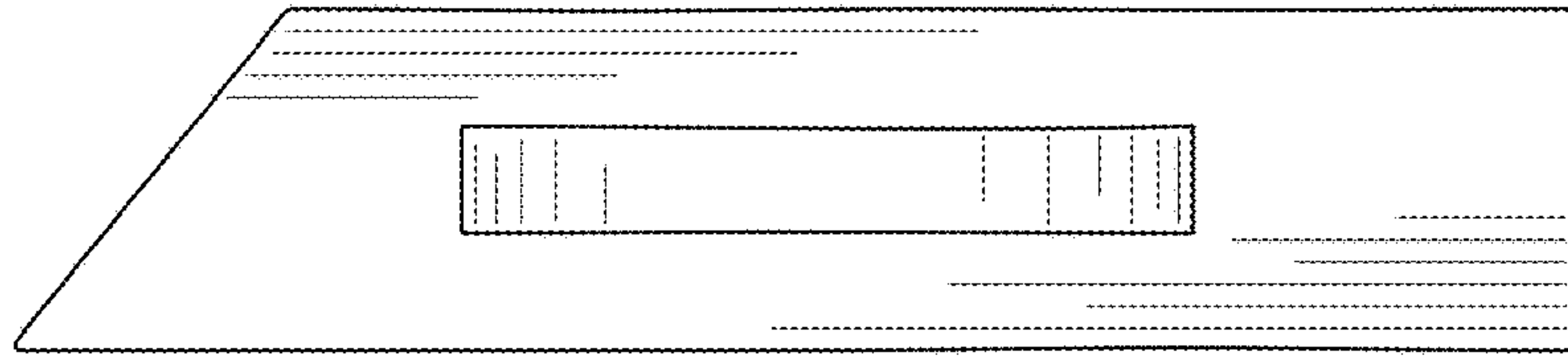


FIG. 4

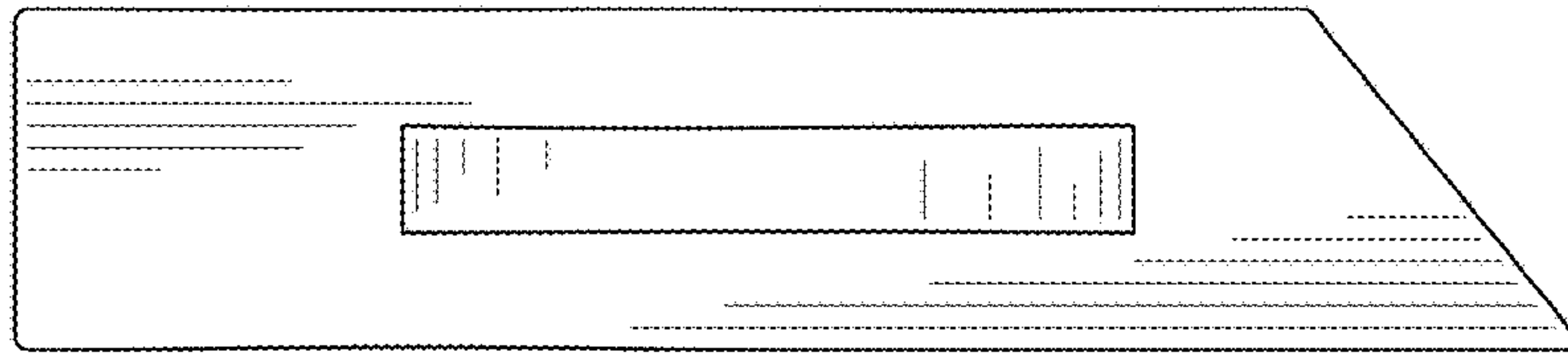


FIG. 5

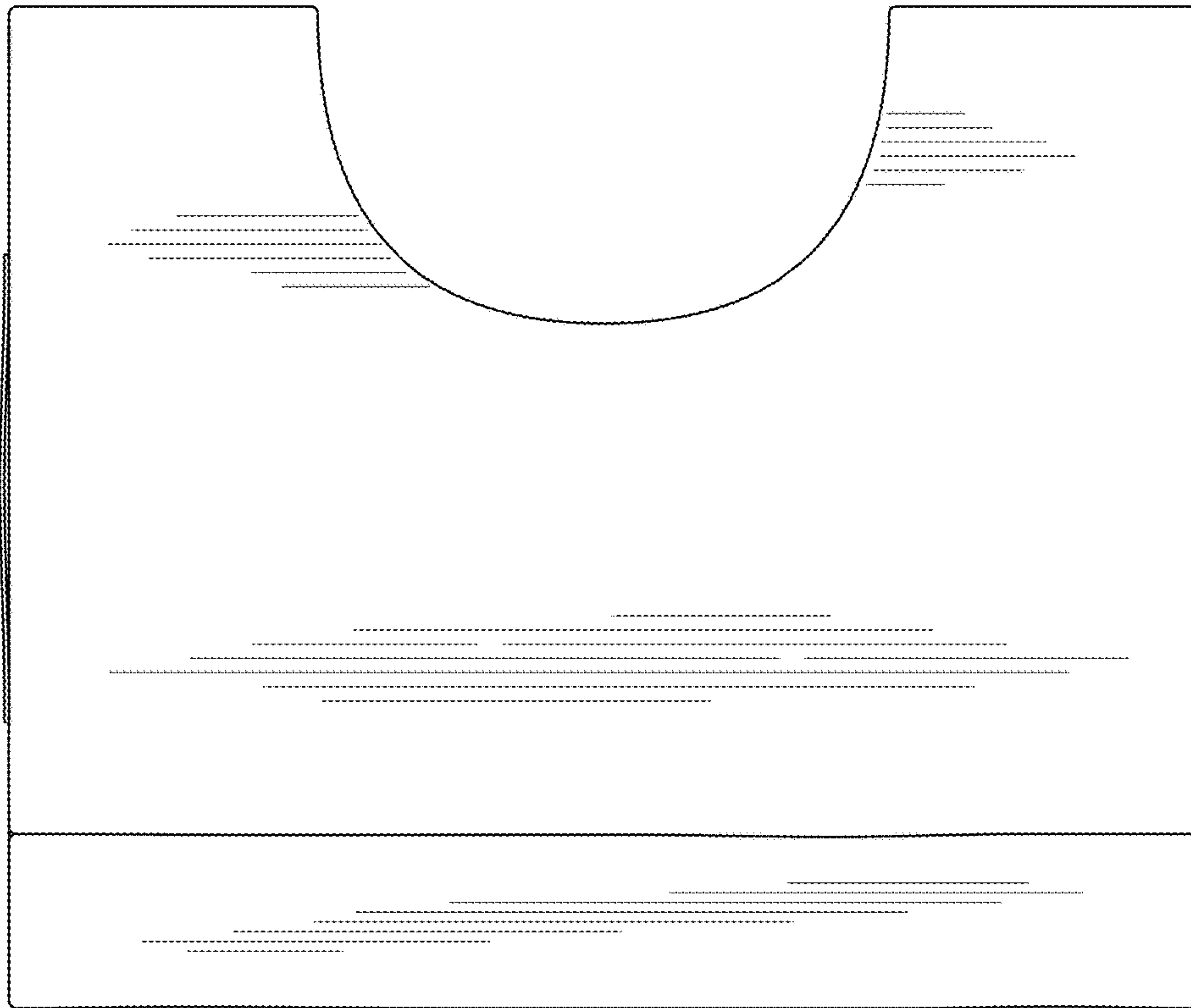


FIG. 6

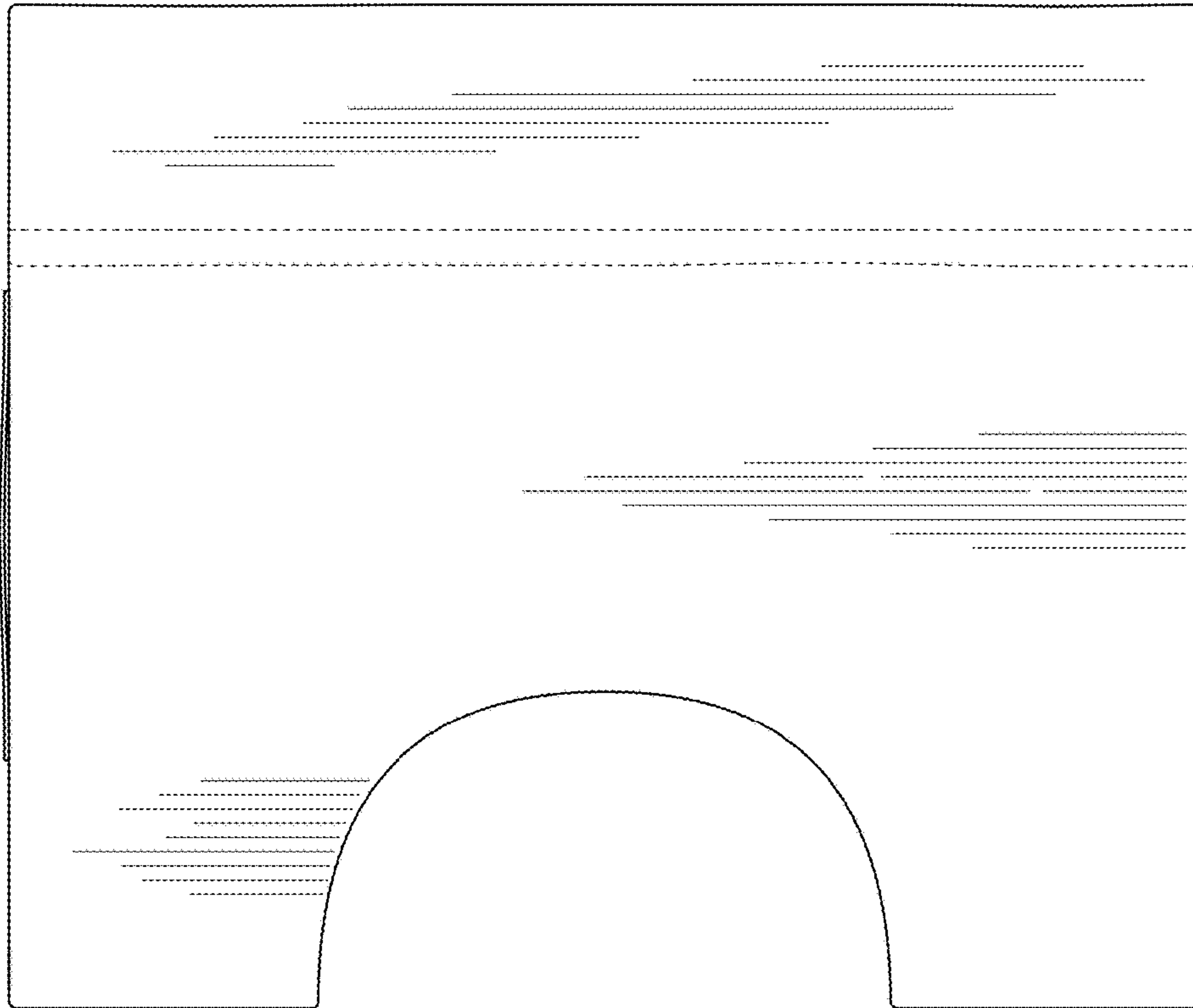


FIG. 7