



US00D856702S

(12) **United States Design Patent** (10) **Patent No.:** **US D856,702 S**
Mathews (45) **Date of Patent:** **** Aug. 20, 2019**

(54) **AUTOMOTIVE TISSUE VALET**
(71) Applicant: **Arlene L. Mathews**, Overland Park, KS (US)
(72) Inventor: **Arlene L. Mathews**, Overland Park, KS (US)
(**) Term: **15 Years**
(21) Appl. No.: **29/630,142**
(22) Filed: **Dec. 19, 2017**
(51) **LOC (12) Cl.** **20-02**
(52) **U.S. Cl.**
USPC **D6/518**
(58) **Field of Classification Search**
USPC D6/518, 519-524, 546-550, 300, 466, D6/512, 553, 567; D8/300, 303, D8/315-321; 16/110.1, 415, 216; 206/225, 233, 289, 391, 812, 824; 211/13.1, 45.1; 222/173, 180; 221/26, 221/33, 282-283; 248/309.1, 309.2, 905; D19/86, 90, 91; D9/337, 414, 416, 417, D9/418, 430, 432, 422
CPC A47K 10/38; A47K 2010/3266; A47K 2010/3253; A47K 10/421; A47K 10/185; A47K 10/42; B65D 83/0805; A45F 5/04
See application file for complete search history.

7,870,983 B2 1/2011 Chen
D651,831 S * 1/2012 Becherer D6/518
D704,951 S * 5/2014 Coleman D6/518
2010/0176009 A1 7/2010 Valadao
2011/0101055 A1 5/2011 O'Neill et al.
2012/0043789 A1 2/2012 Lee

* cited by examiner

Primary Examiner — Wan Laymon
Assistant Examiner — Mark Booker
(74) *Attorney, Agent, or Firm* — Law Office of Mark Brown, LLC; Christopher M. DeBacker

(57) **CLAIM**

The ornamental design for an automotive tissue valet, as shown and described.

DESCRIPTION

FIG. 1 is a three-dimensional isometric view of a automotive tissue valet shown in a typical environment of a car seat, shown in dashed lines.
FIG. 2 is an isometric view shown from a frontal view.
FIG. 3 is an isometric view shown from a rear view with a partially opened top portion.
FIG. 4 is a front elevational view thereof.
FIG. 5 is a rear elevational view thereof.
FIG. 6 is a left side elevational view thereof.
FIG. 7 is a right side elevational view thereof.
FIG. 8 is a top plan view thereof; and,
FIG. 9 is a bottom plan view thereof.
The broken lines shown in the figures represent portions of the automotive tissue valet that form no part of the claimed design.

(56) **References Cited**
U.S. PATENT DOCUMENTS
5,332,138 A 7/1994 Gross et al.
6,619,605 B2 9/2003 Lambert
D564,812 S * 3/2008 Tomic D6/518
7,523,991 B2 4/2009 Thompson et al.

1 Claim, 5 Drawing Sheets

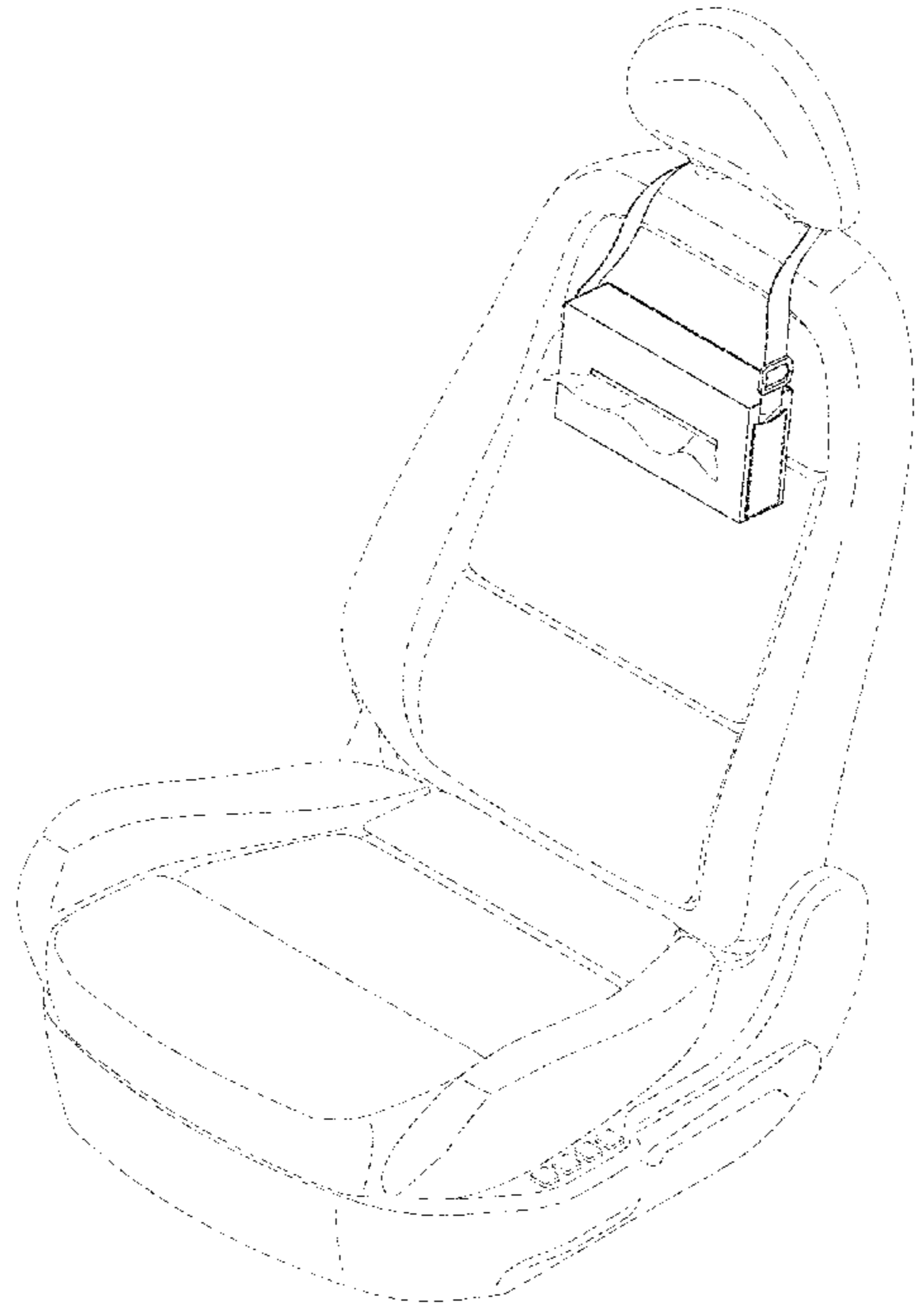
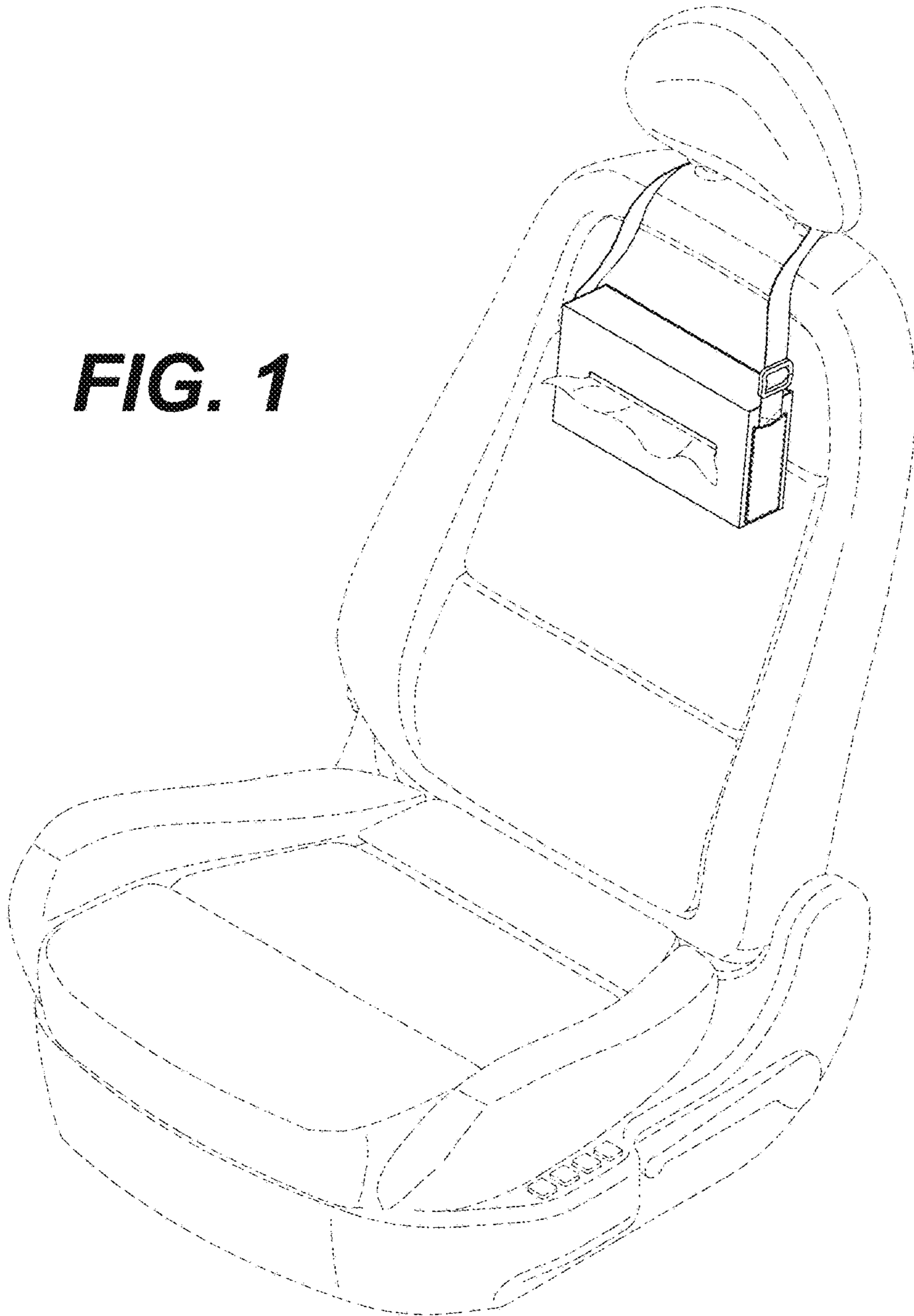


FIG. 1



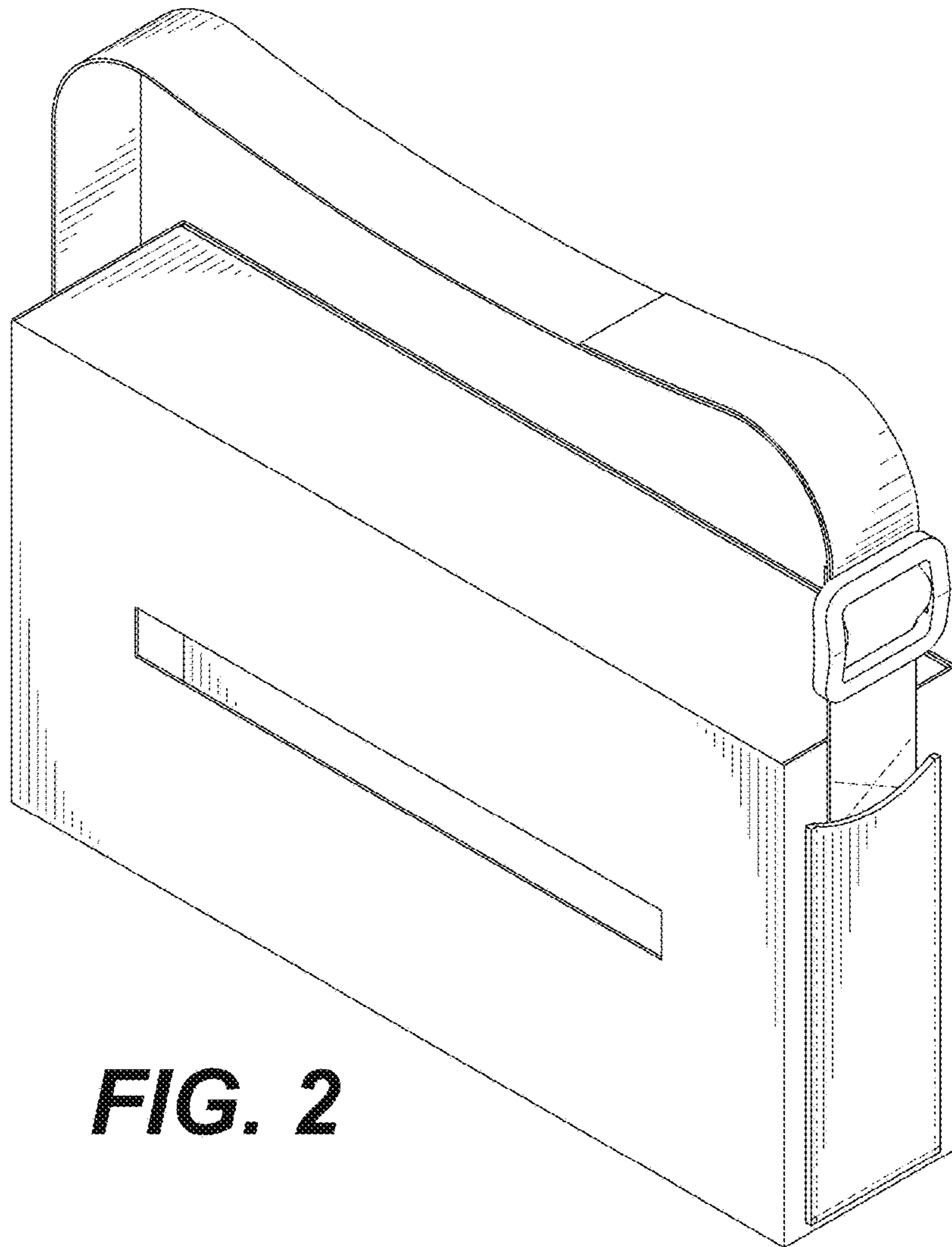


FIG. 2

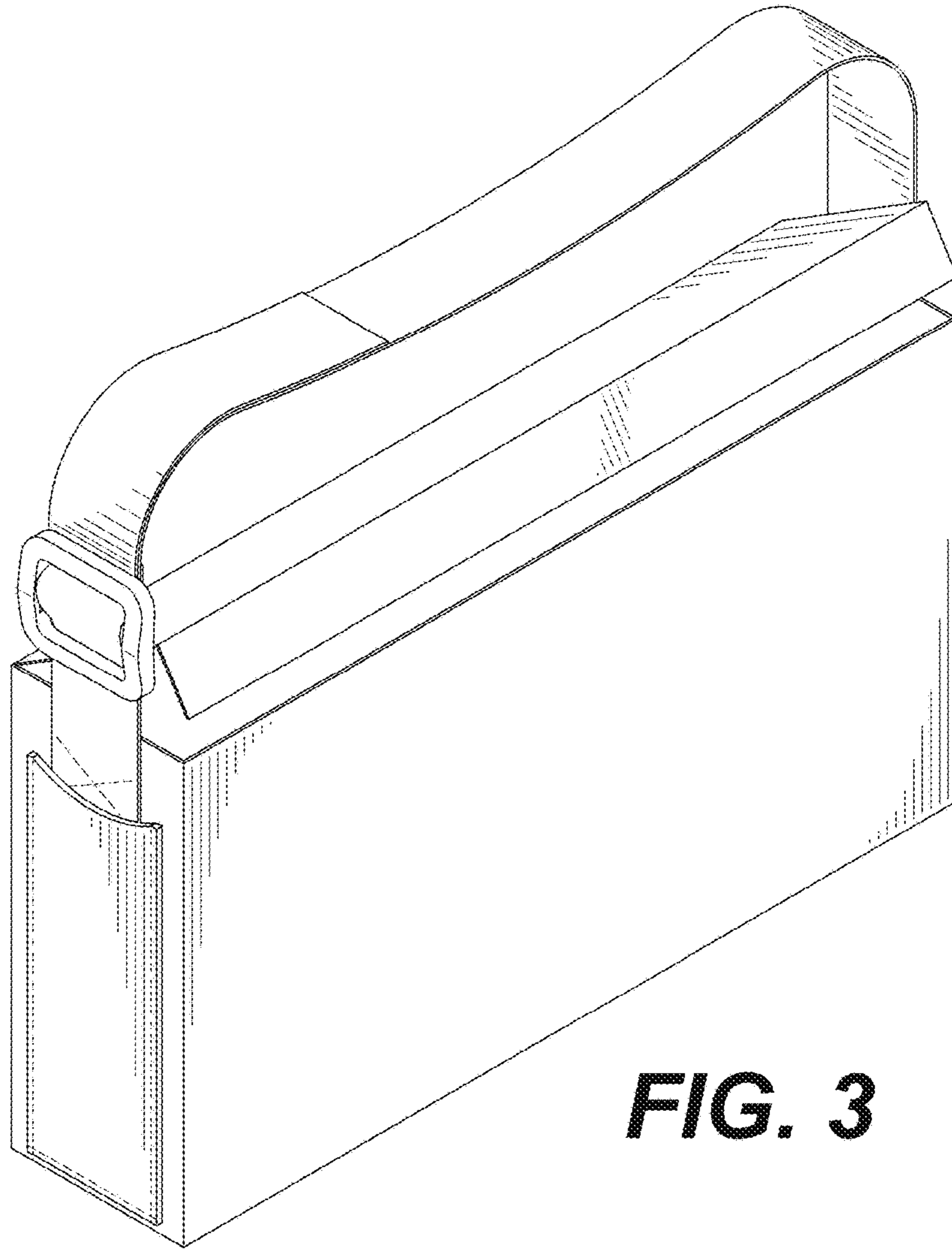


FIG. 3

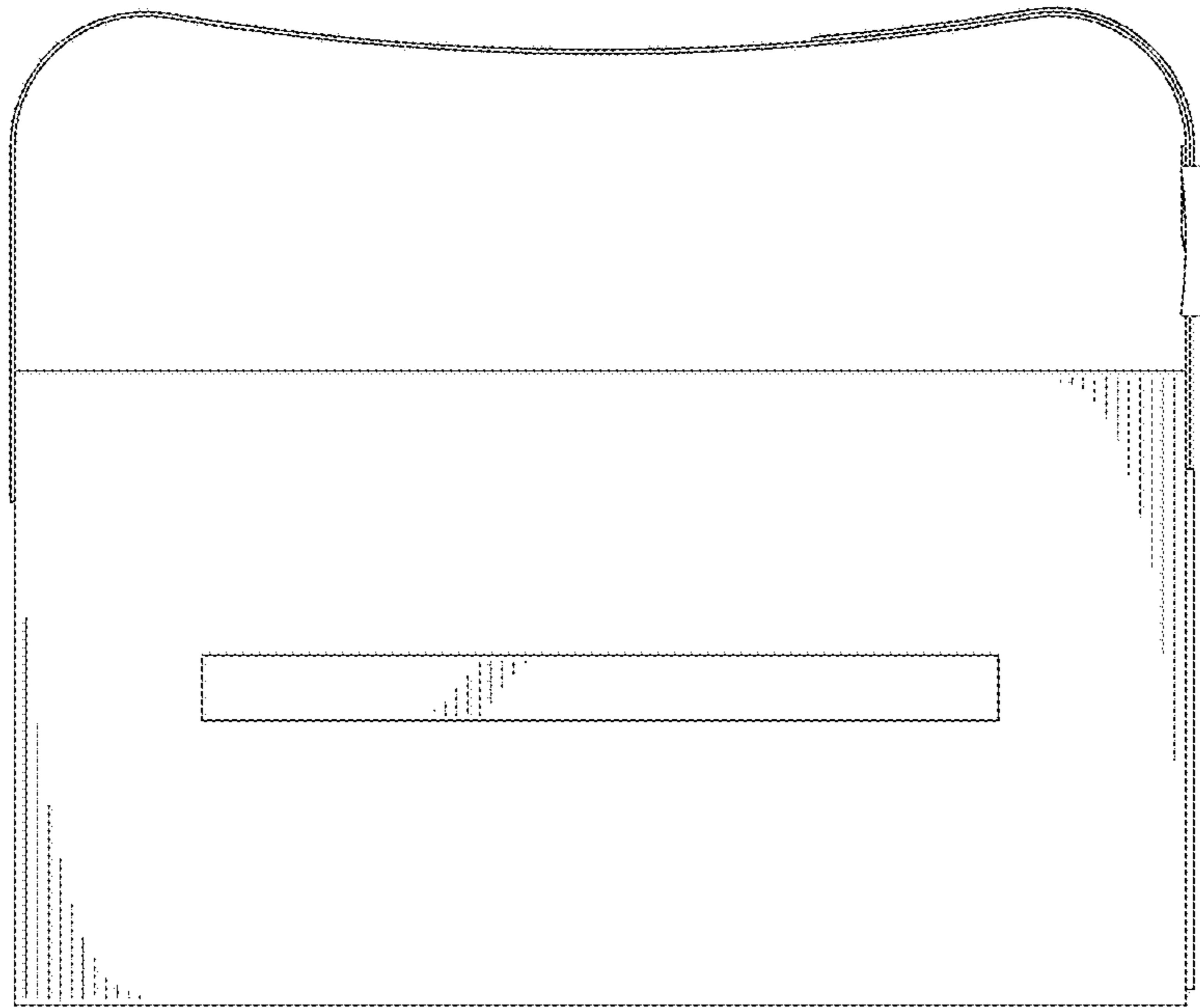


FIG. 4

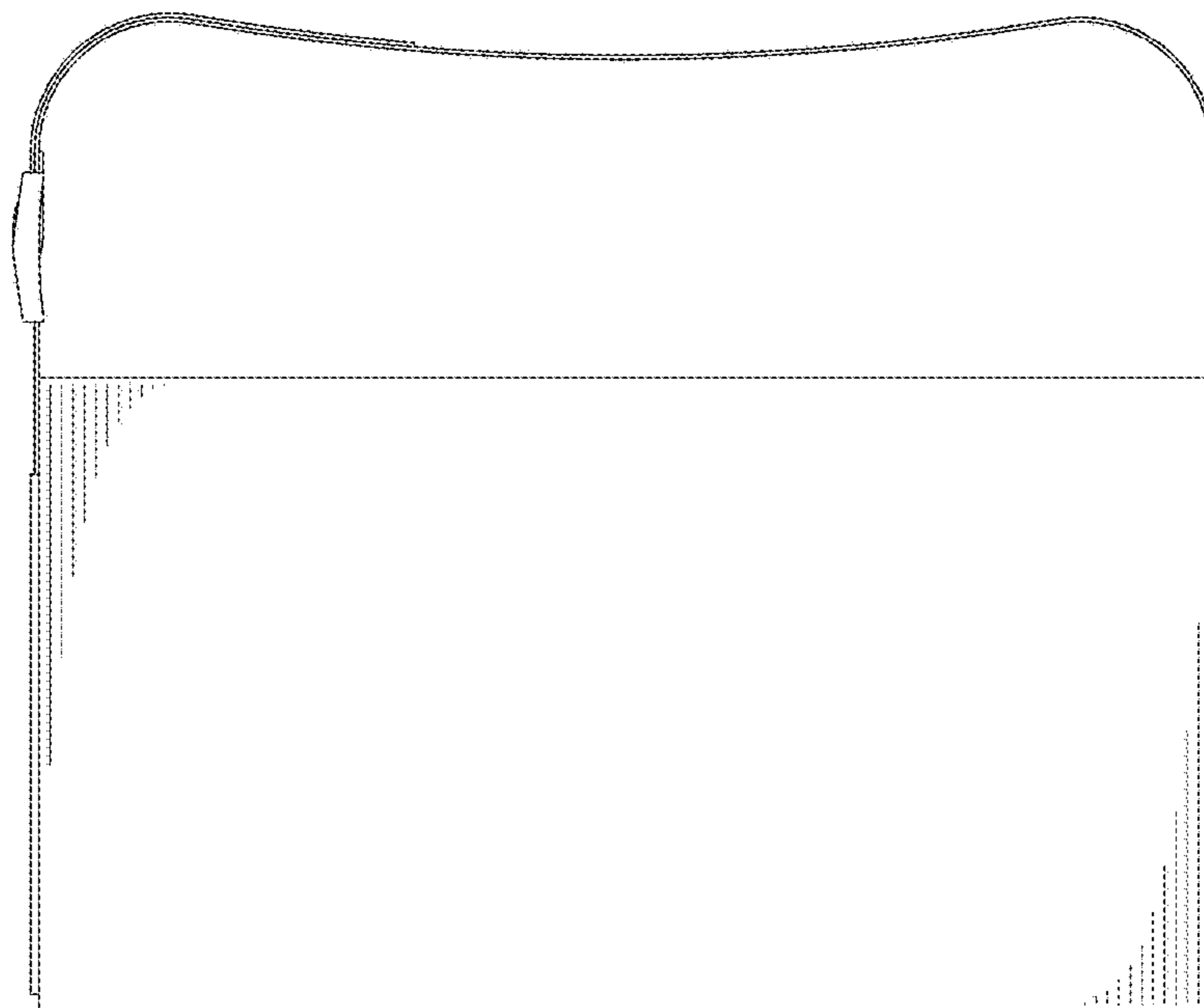


FIG. 5

FIG. 6

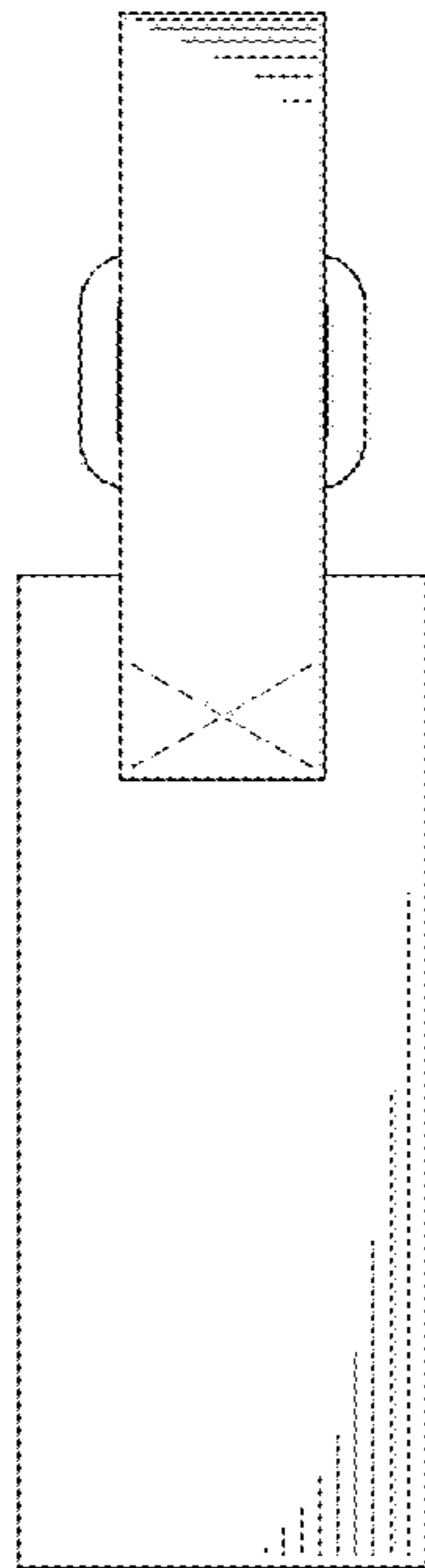


FIG. 7

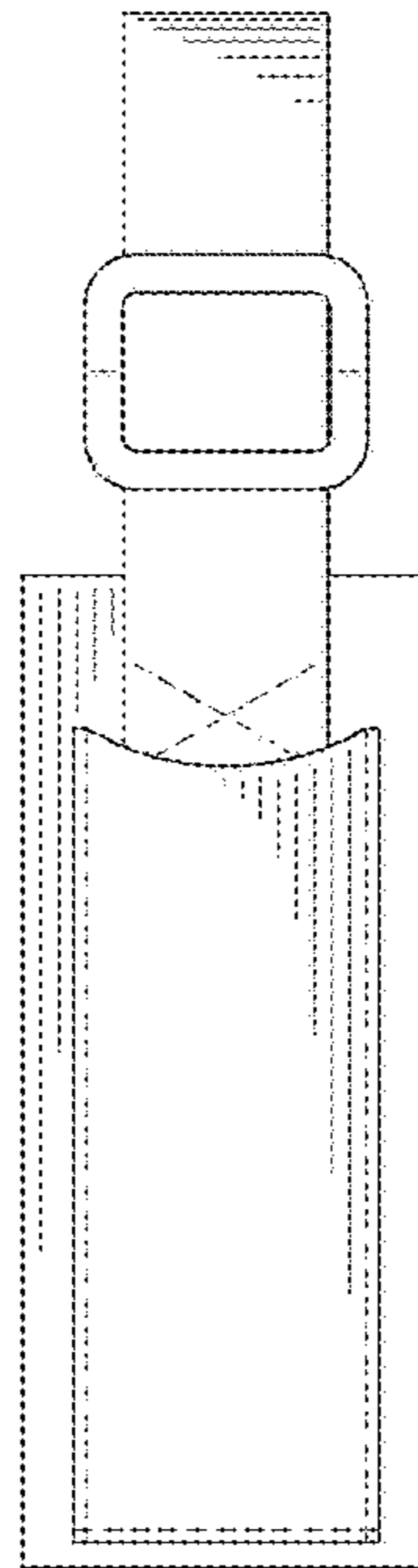


FIG. 8

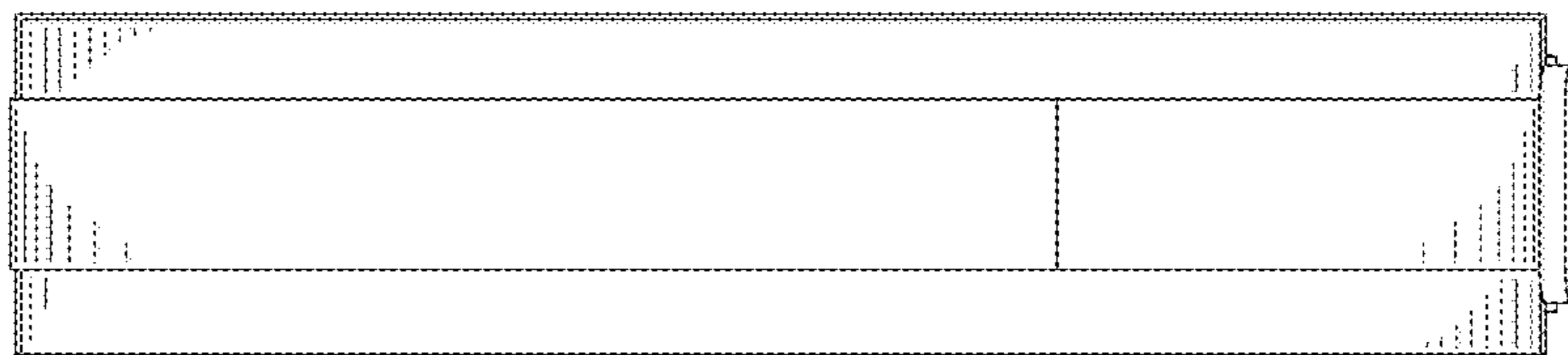


FIG. 9

