



US00D856701S

(12) **United States Design Patent**  
**Flanagan**

(10) **Patent No.:** **US D856,701 S**

(45) **Date of Patent:** **\*\* Aug. 20, 2019**

(54) **ERGONOMIC LAP TRAY**

(71) Applicant: **Lisa Annette Flanagan**, Lamotte, IA  
(US)

(72) Inventor: **Lisa Annette Flanagan**, Lamotte, IA  
(US)

(\*\*) Term: **15 Years**

(21) Appl. No.: **29/623,879**

(22) Filed: **Oct. 27, 2017**

(51) **LOC (12) Cl.** ..... **06-06**

(52) **U.S. Cl.**  
USPC ..... **D6/406.3**

(58) **Field of Classification Search**  
USPC ..... D6/406.1, 406.3, 406.4, 406.5; D12/425  
CPC ..... A47B 13/081; A47B 23/00; A47B 23/002;  
A47B 2023/048  
See application file for complete search history.

(56) **References Cited**

**U.S. PATENT DOCUMENTS**

D405,291 S *	2/1999	Yu	.....	D6/406.5
D435,196 S *	12/2000	Gregor	.....	D12/420
D435,377 S *	12/2000	Galati, Jr.	.....	D6/707
D438,029 S *	2/2001	Brey	.....	D6/406.3
D443,999 S *	6/2001	Cable	.....	D6/406.4
D499,575 S *	12/2004	Chan	.....	D6/406.3
D512,245 S *	12/2005	Bean	.....	D6/406.3
D517,833 S *	3/2006	Jennings	.....	D6/406.5
D548,672 S *	8/2007	Hatch	.....	D12/423
D573,940 S *	7/2008	Heneghan	.....	D12/425

D575,077 S *	8/2008	Kessels	.....	D6/406.3
D604,963 S *	12/2009	Potter	.....	D6/686
D606,774 S *	12/2009	Kohli	.....	D6/406.6
D608,270 S *	1/2010	Priestman	.....	D12/345
D619,823 S *	7/2010	Jennings	.....	D6/406.3
D624,922 S *	10/2010	Hui	.....	D14/447
D663,546 S *	7/2012	Jennings	.....	D6/406.3
8,667,903 B1 *	3/2014	Goltry	.....	A47B 1/05 108/132
D795,789 S *	8/2017	Ehtesham	.....	D12/425

\* cited by examiner

*Primary Examiner* — Kelley A Donnelly

(74) *Attorney, Agent, or Firm* — David M. Northfield

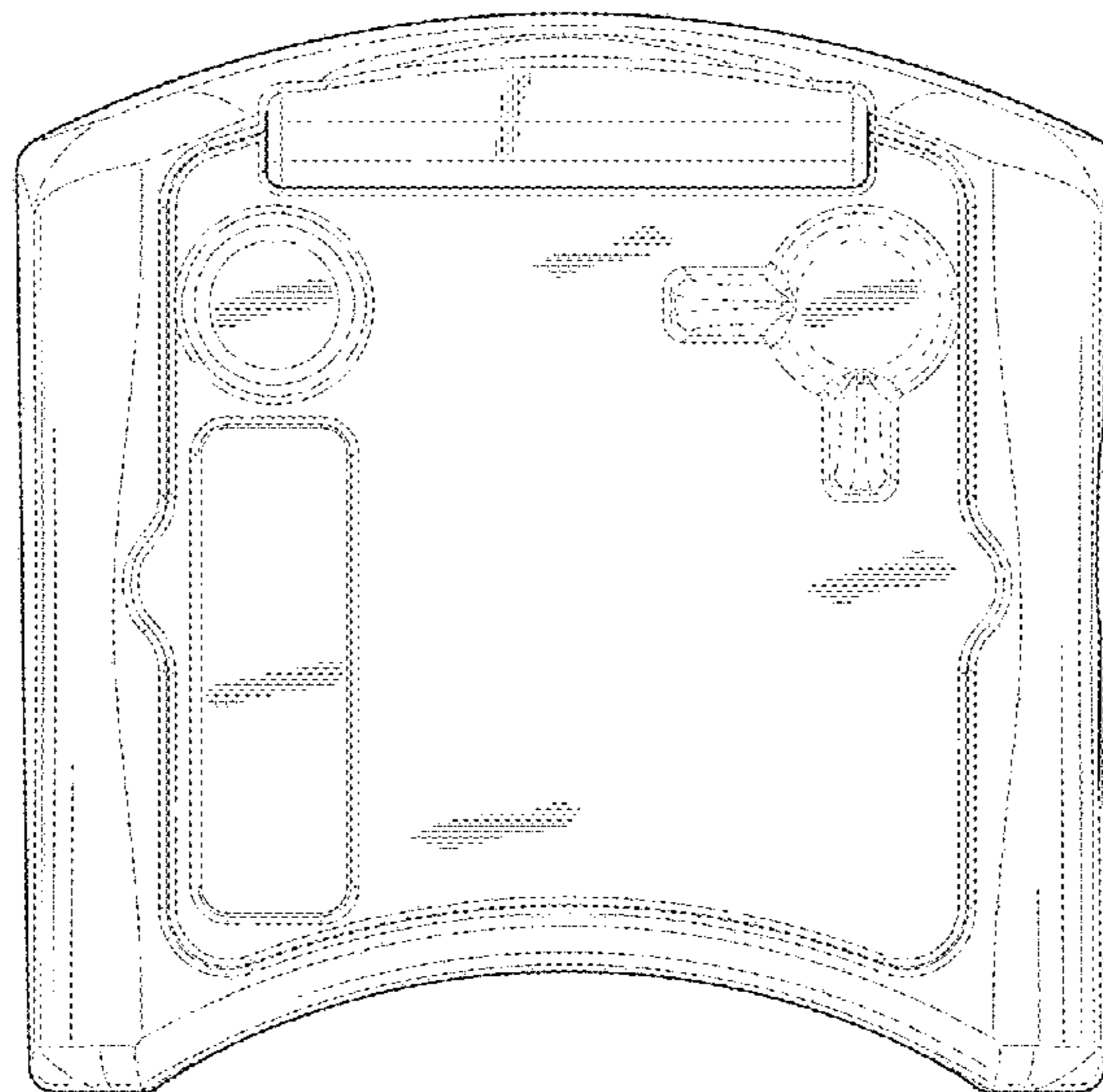
(57) **CLAIM**

The ornamental design for an ergonomic lap tray, as shown and described.

**DESCRIPTION**

FIG. 1 is a top view of the ergonomic lap tray;  
FIG. 2 is a bottom view of the ergonomic lap tray;  
FIG. 3 is a right side view of the ergonomic lap tray;  
FIG. 4 is a left side view of the ergonomic lap tray;  
FIG. 5 is a front view of the ergonomic lap tray;  
FIG. 6 is a rear view of the ergonomic lap tray;  
FIG. 7 is a first perspective view of the ergonomic lap tray;  
FIG. 8 is a second perspective view of the ergonomic lap tray;  
FIG. 9 is a third perspective view of the ergonomic lap tray;  
and,  
FIG. 10 is a fourth perspective view of the ergonomic lap tray.

**1 Claim, 10 Drawing Sheets**



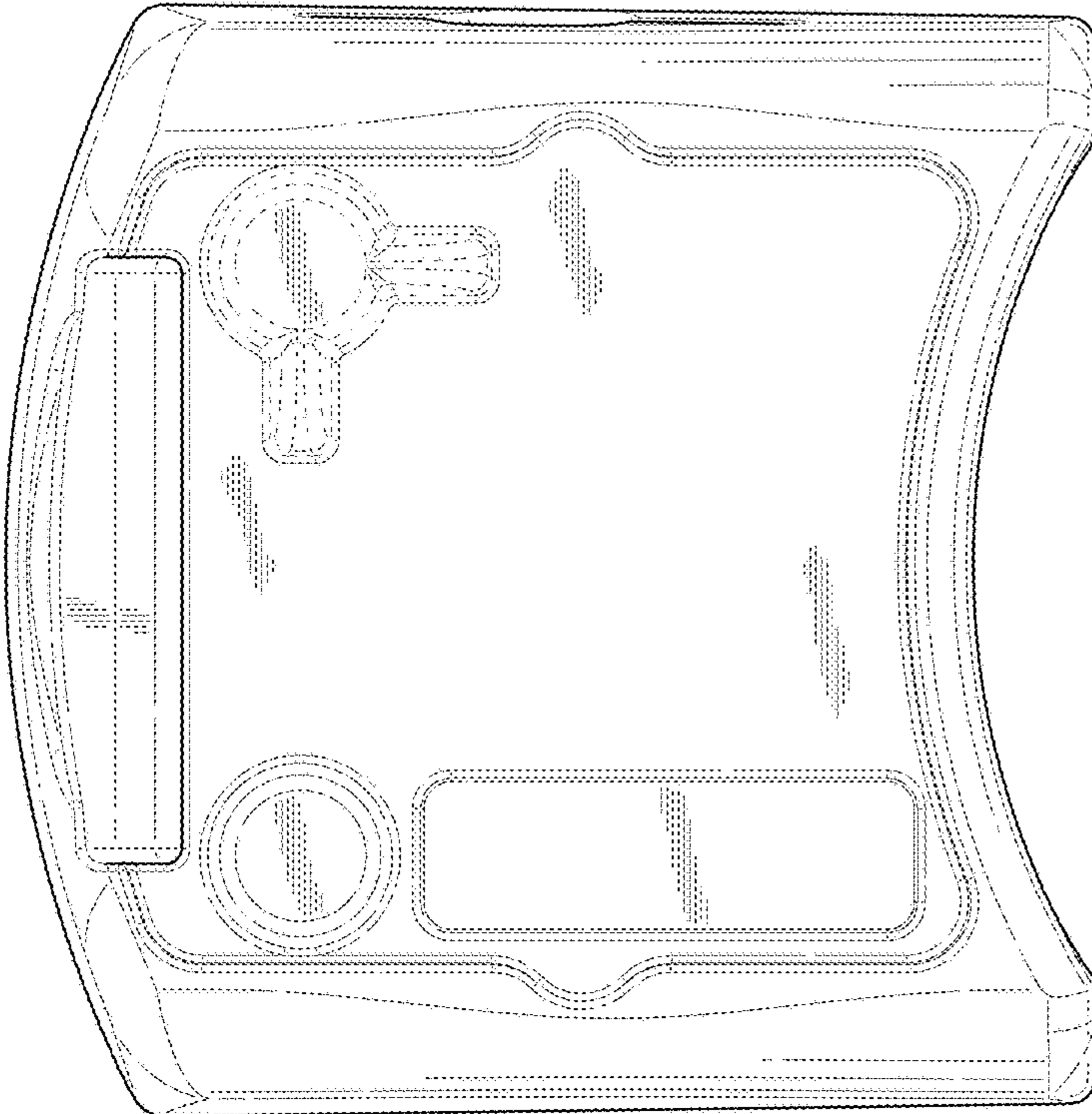


FIG. 1

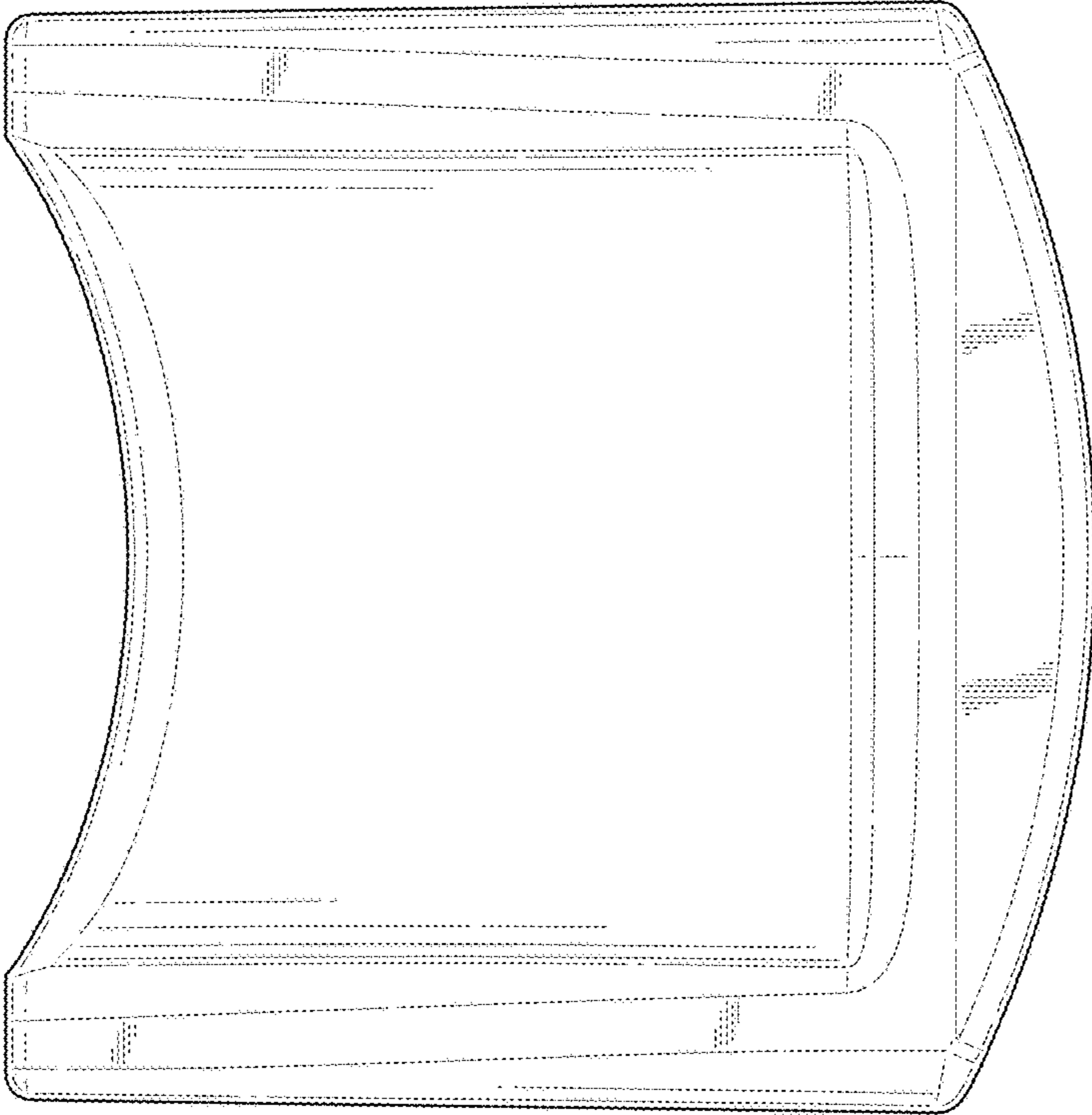


FIG. 2

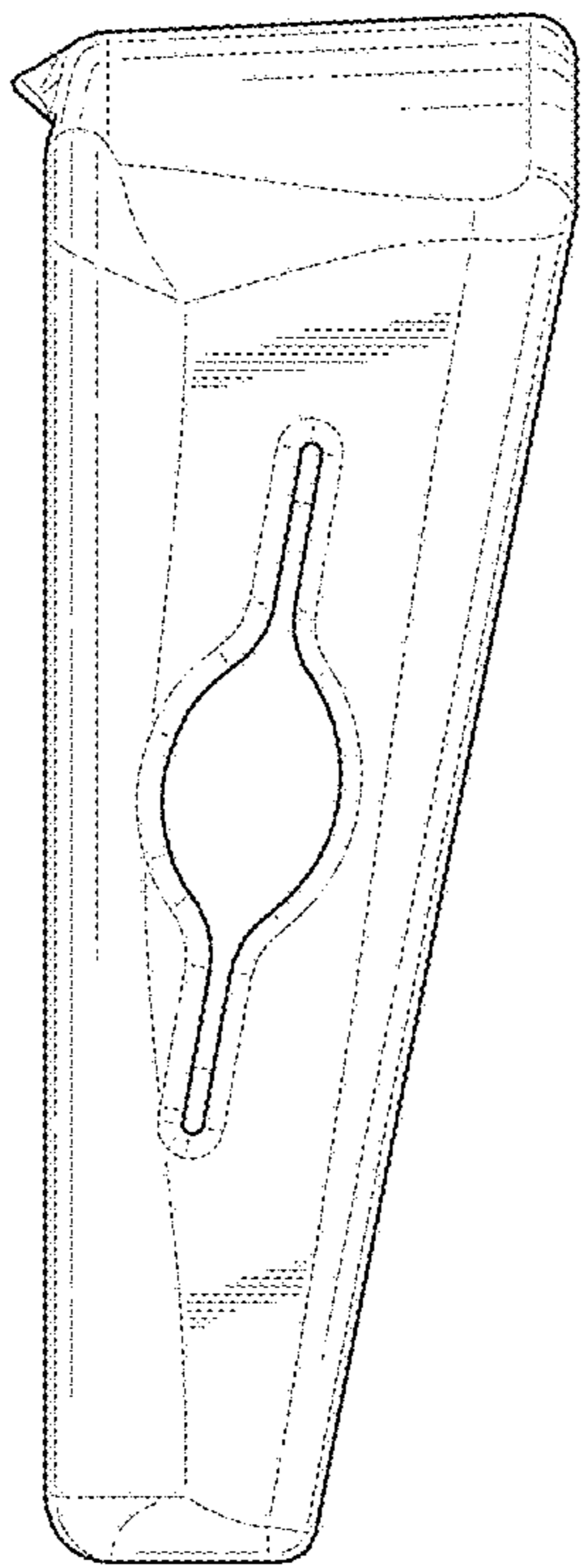


FIG. 3

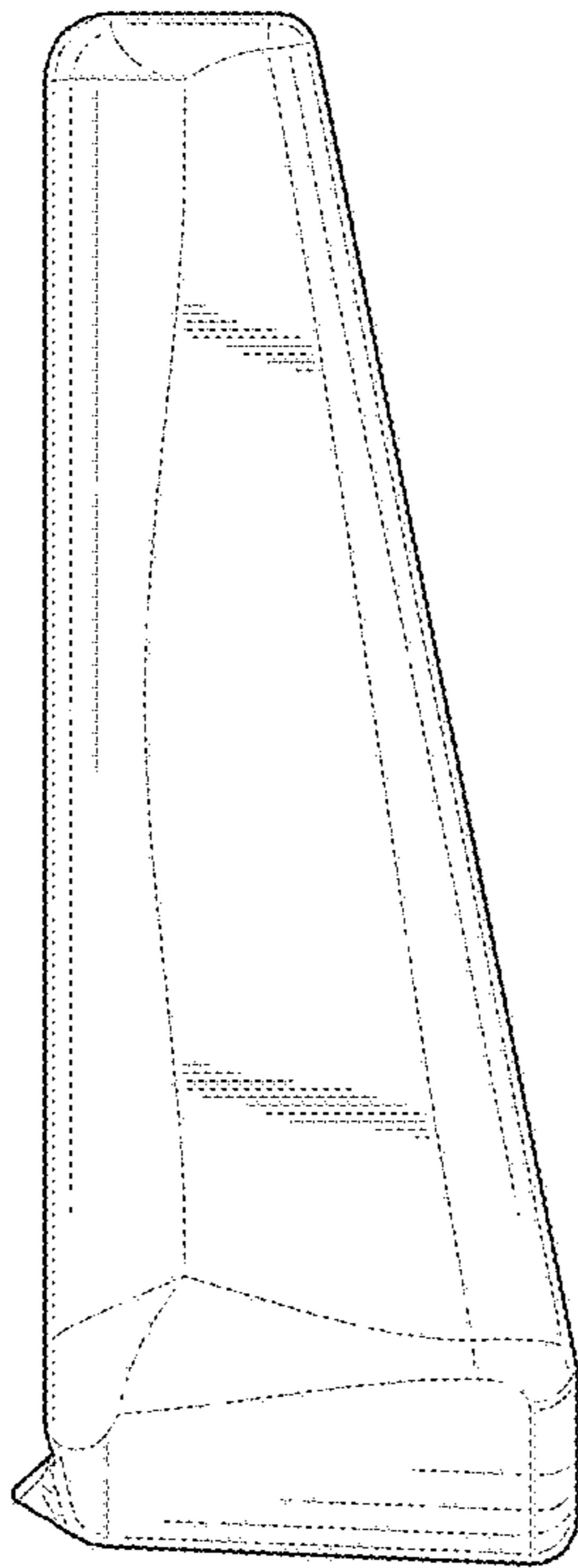


FIG. 4

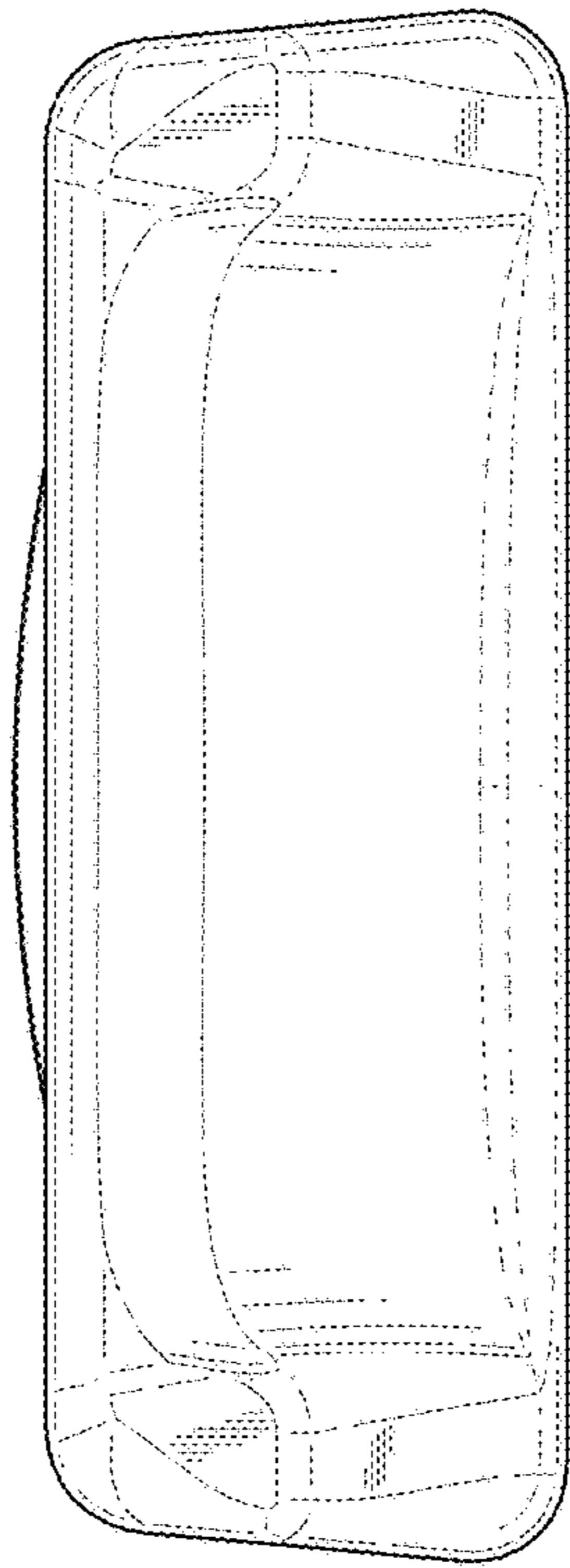


FIG. 5

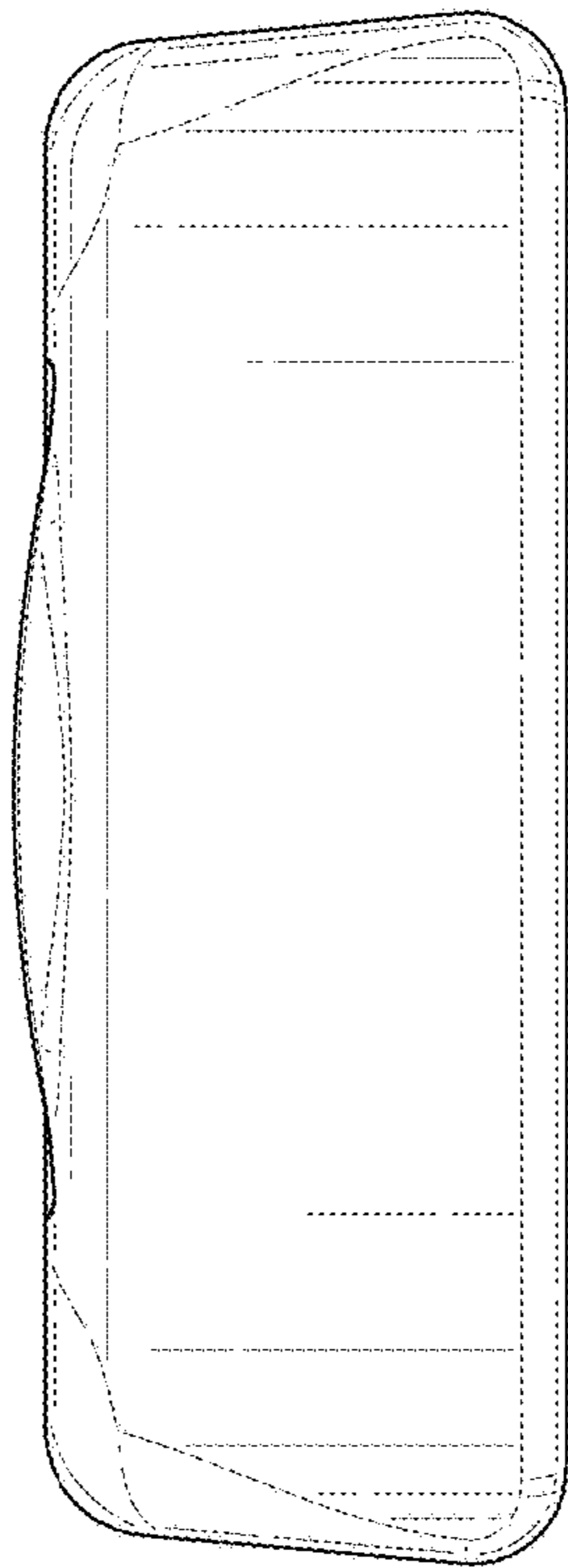


FIG. 6

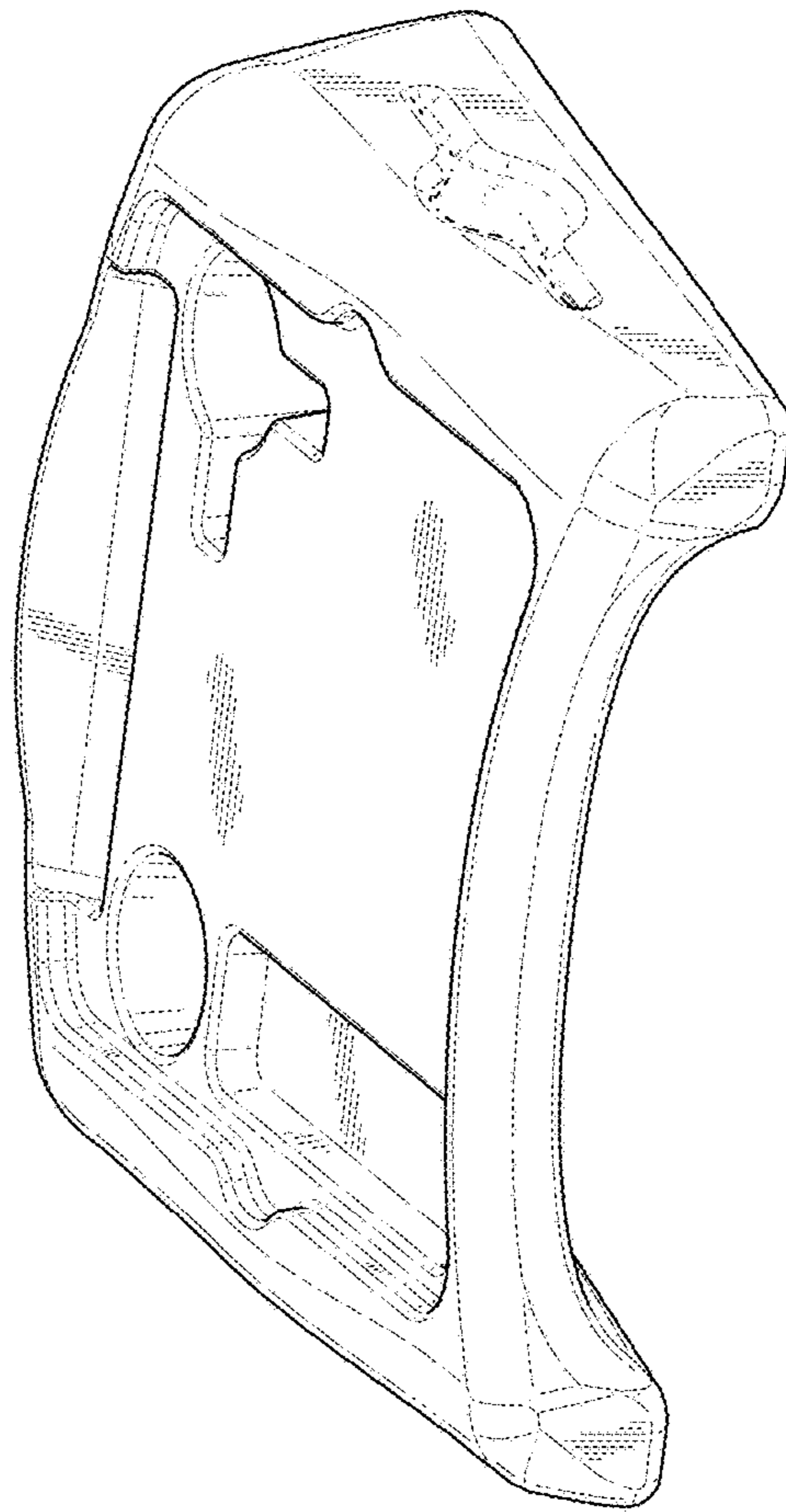


FIG. 7



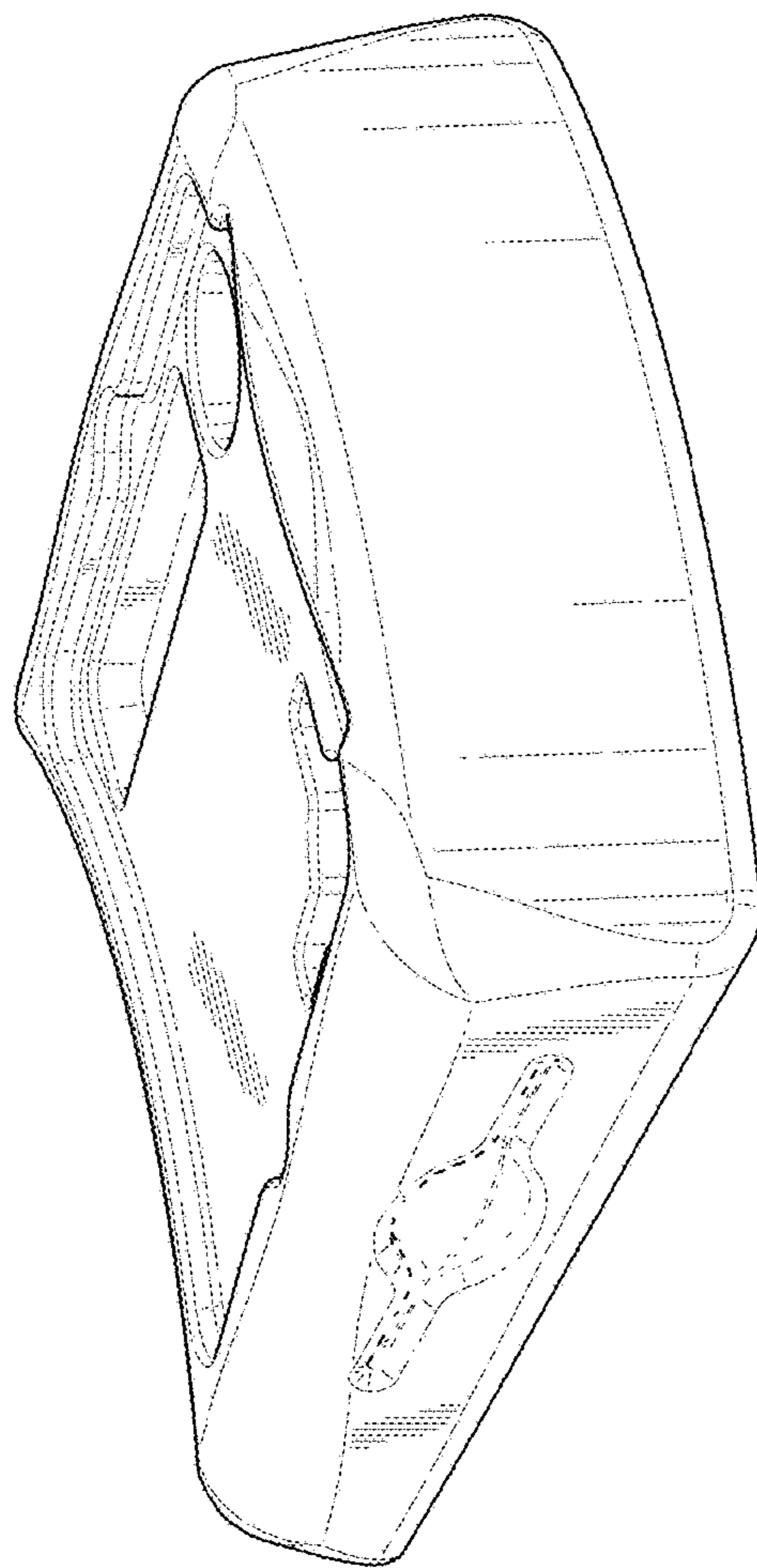


FIG. 8

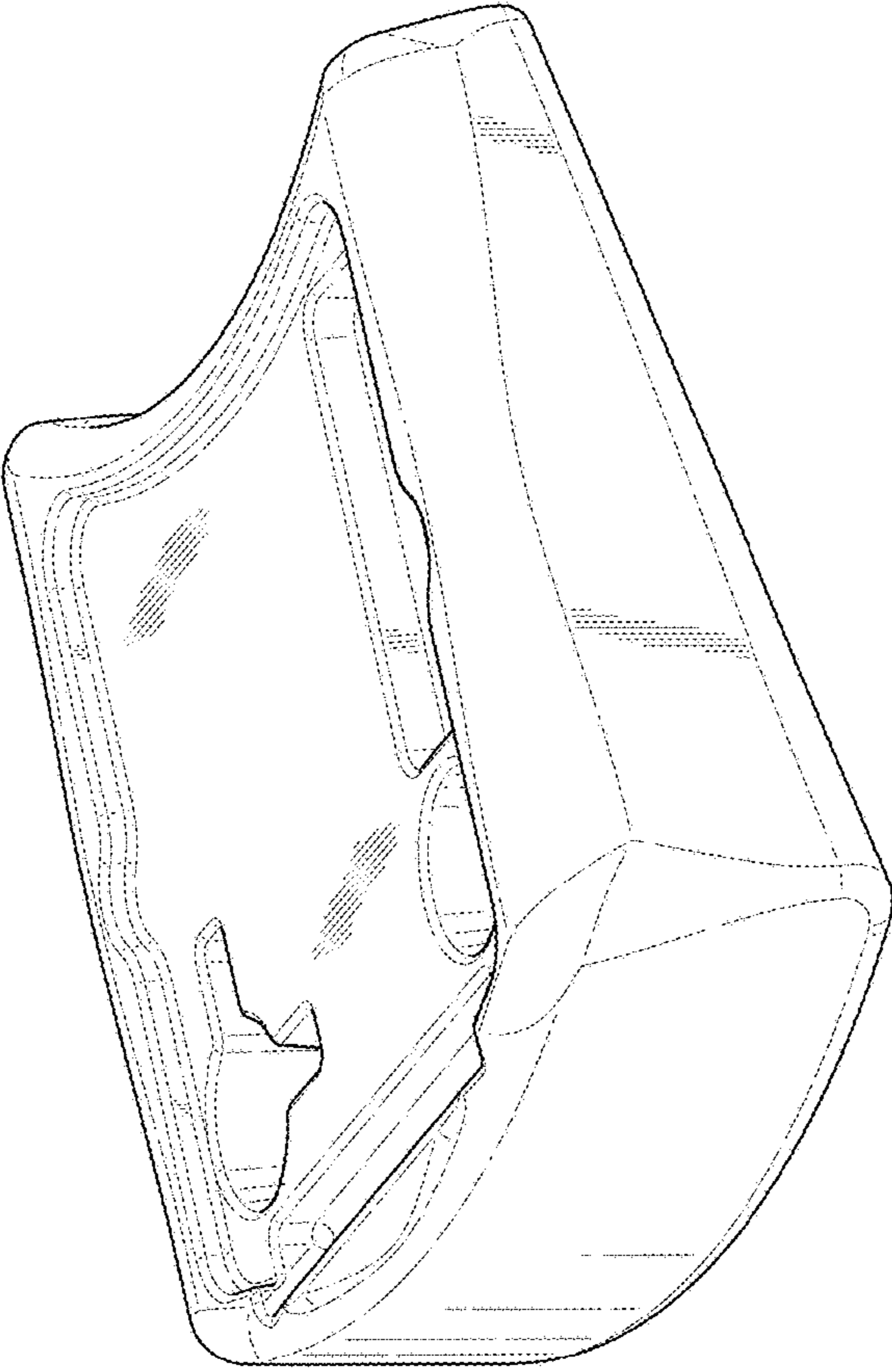


FIG. 9

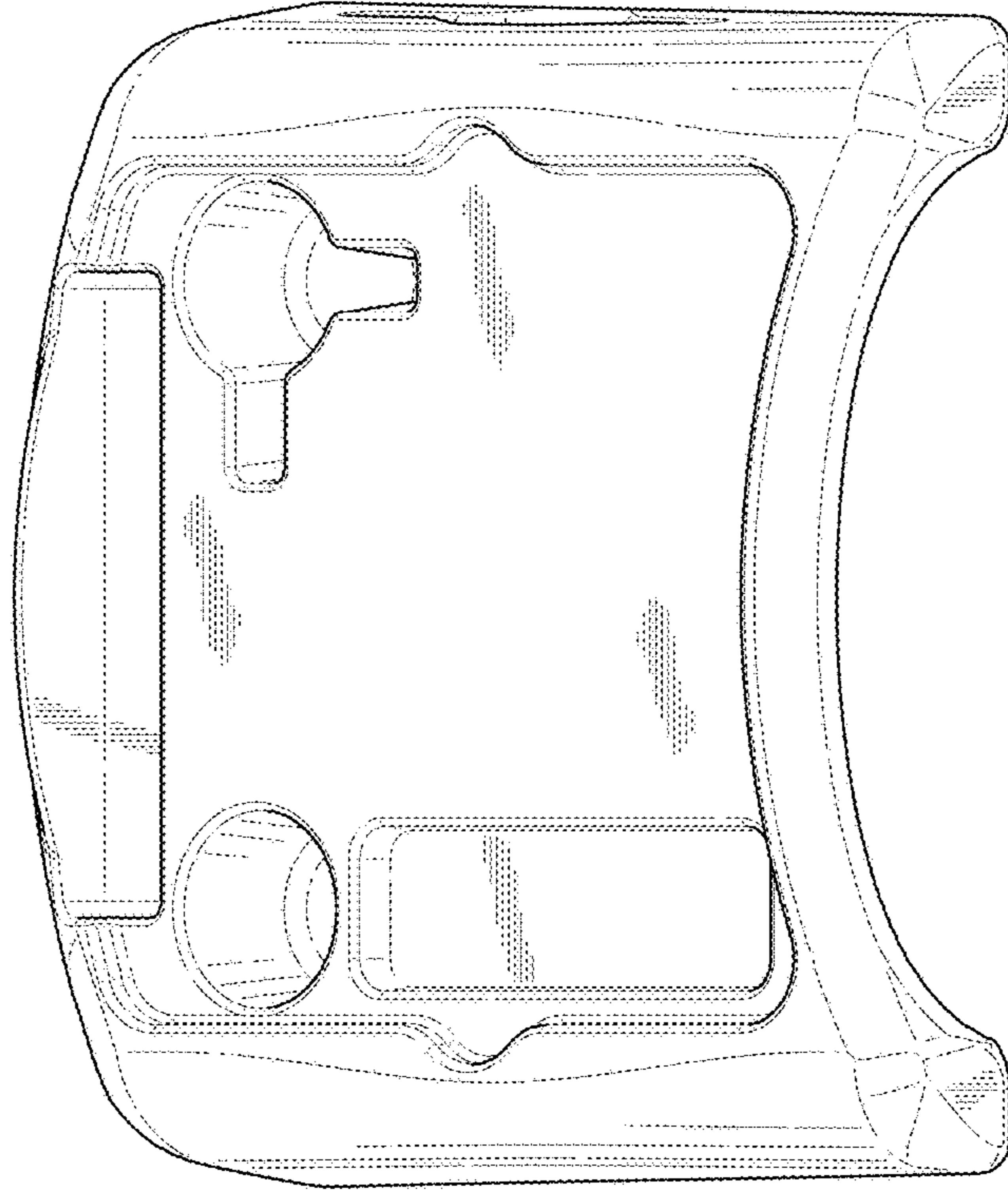


FIG. 10