



US00D856695S

(12) **United States Design Patent**  
**Chen**

(10) **Patent No.:** **US D856,695 S**

(45) **Date of Patent:** **\*\* Aug. 20, 2019**

(54) **CHAIR**

(71) Applicant: **Min Chen**, Guangdong (CN)

(72) Inventor: **Min Chen**, Guangdong (CN)

(\*\*) Term: **15 Years**

(21) Appl. No.: **29/613,750**

(22) Filed: **Aug. 14, 2017**

(30) **Foreign Application Priority Data**

Apr. 25, 2017 (CN) ..... 2017 3 0141686

(51) **LOC (12) Cl.** ..... **06-01**

(52) **U.S. Cl.**  
USPC ..... **D6/366**

(58) **Field of Classification Search**  
USPC ..... D6/334-336, 364, 365, 366, 374, 379,  
D6/716, 716.1, 716.2, 716.4  
CPC ..... A47C 4/028; A47C 7/004; A47C 7/18;  
A47C 7/38; A47C 7/40; A47C 7/46;  
A47C 7/54; B60N 2/66  
See application file for complete search history.

(56) **References Cited**

**U.S. PATENT DOCUMENTS**

D670,927 S \* 11/2012 Hurford ..... D6/366  
D688,483 S \* 8/2013 Aratani ..... D6/366

D710,640 S \* 8/2014 Usumoto ..... D6/366  
D795,602 S \* 8/2017 Neil ..... D6/366  
D799,843 S \* 10/2017 Chen ..... D6/366  
D816,363 S \* 5/2018 Su ..... D6/366  
D825,971 S \* 8/2018 Scagnellato ..... D6/716

\* cited by examiner

*Primary Examiner* — Mimosa De

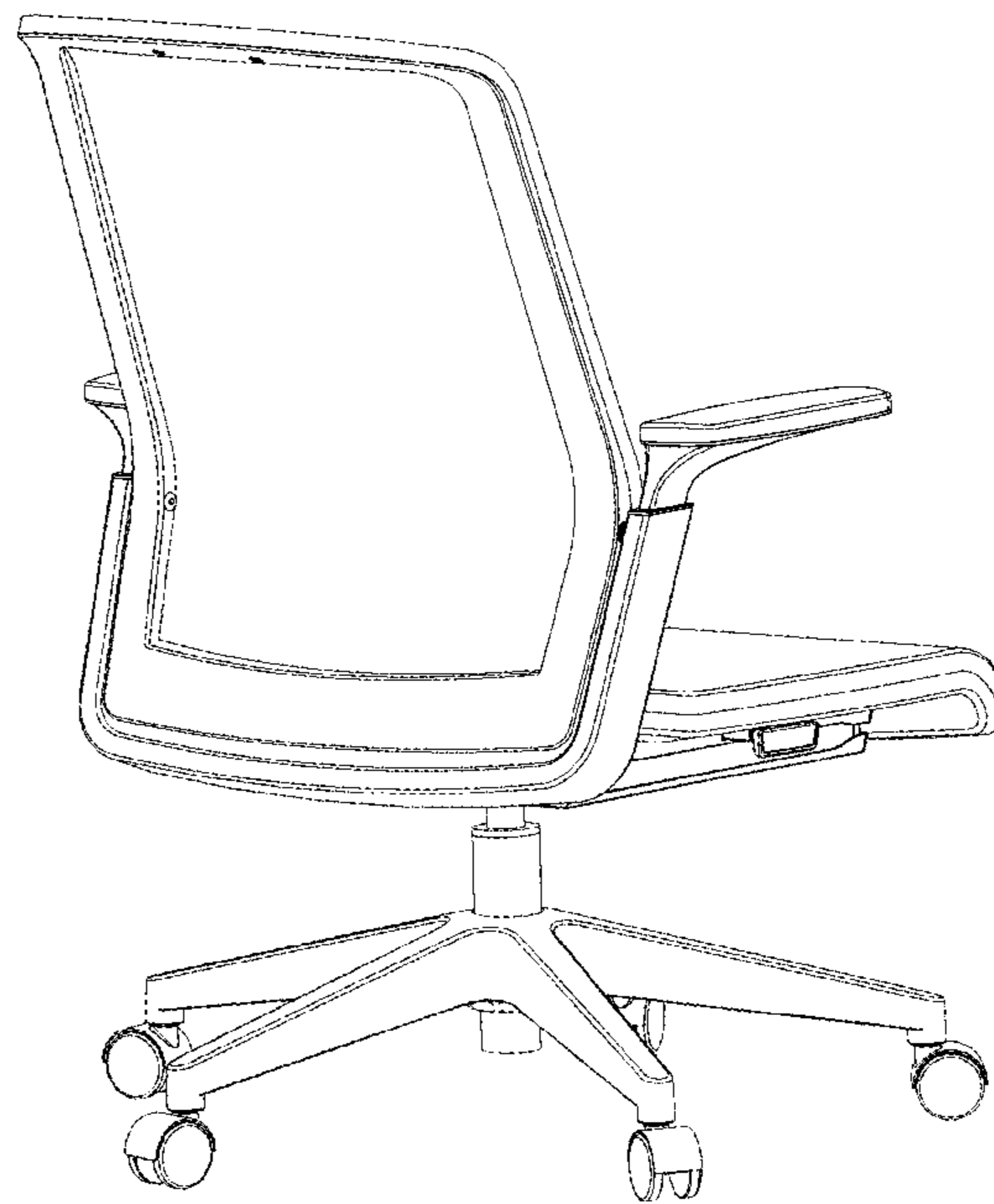
(57) **CLAIM**

The ornamental design for a chair, as shown and described.

**DESCRIPTION**

FIG. 1 is a front elevational view of a chair showing my new design;  
FIG. 2 is a rear elevational view thereof;  
FIG. 3 is a left side view thereof;  
FIG. 4 is a right side view thereof;  
FIG. 5 is a top plan view thereof;  
FIG. 6 is a bottom plan view thereof;  
FIG. 7 is a perspective view thereof; and,  
FIG. 8 is another perspective view thereof.  
The broken lines shown in chair form no part of the claimed design.

**1 Claim, 8 Drawing Sheets**



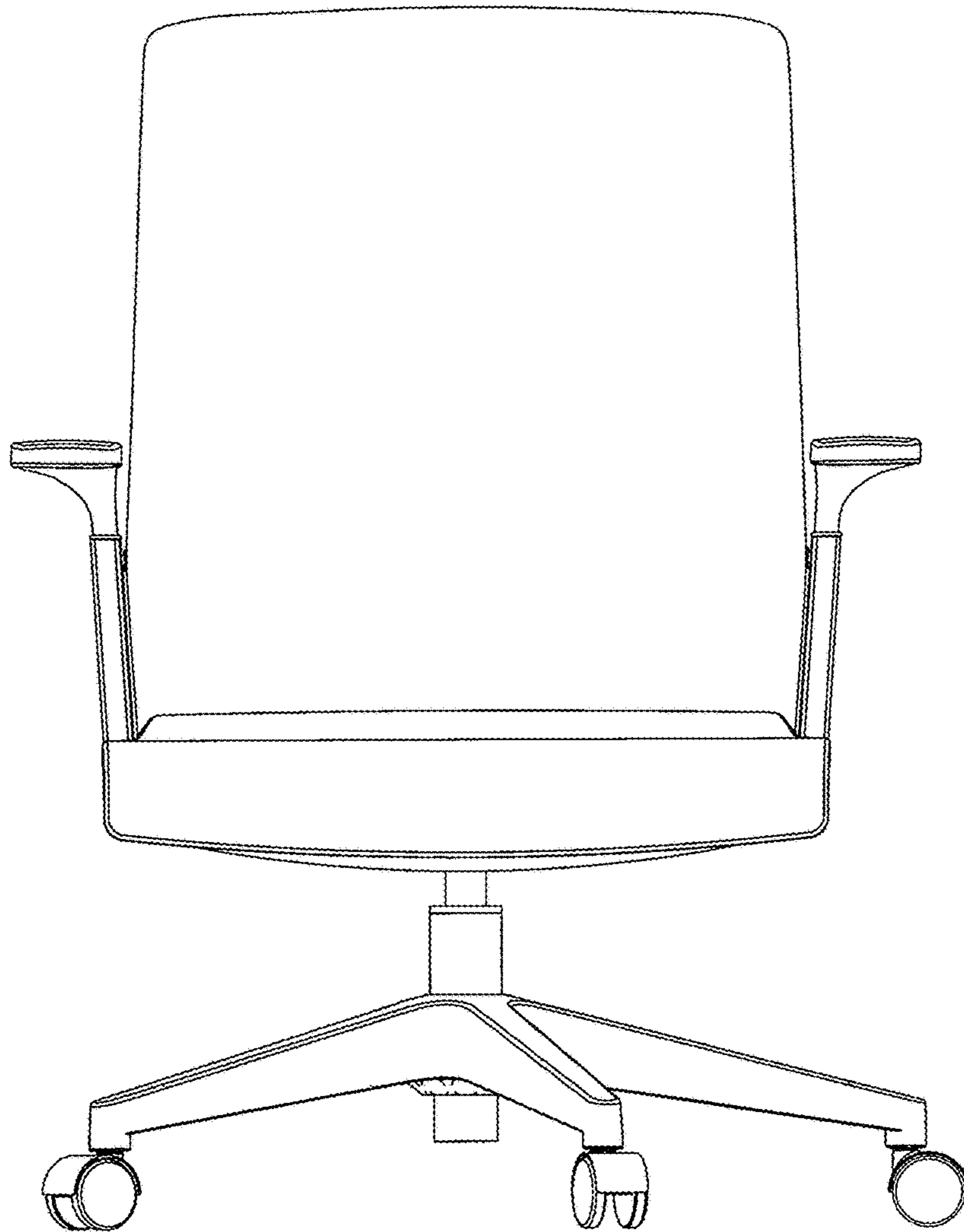


Fig. 1

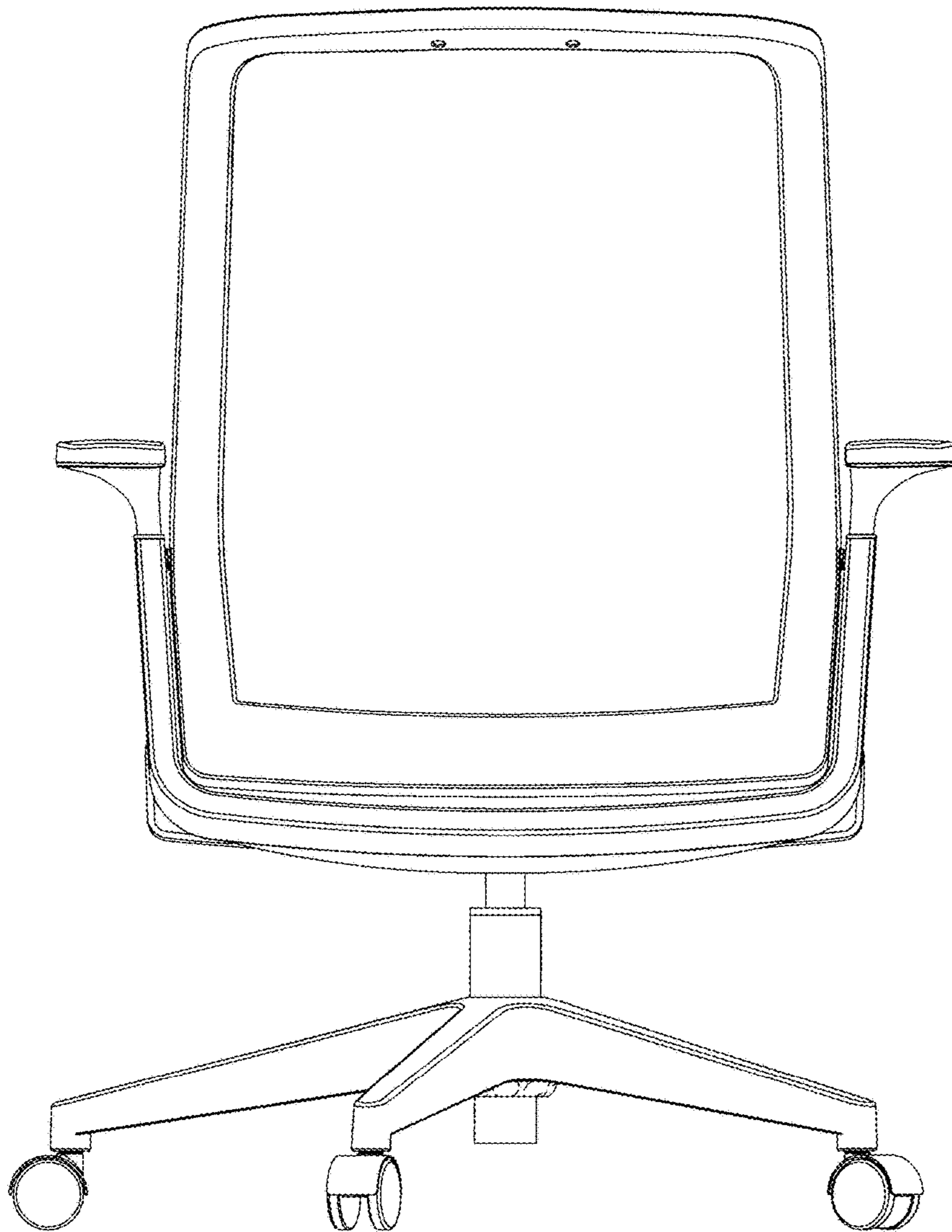


Fig. 2

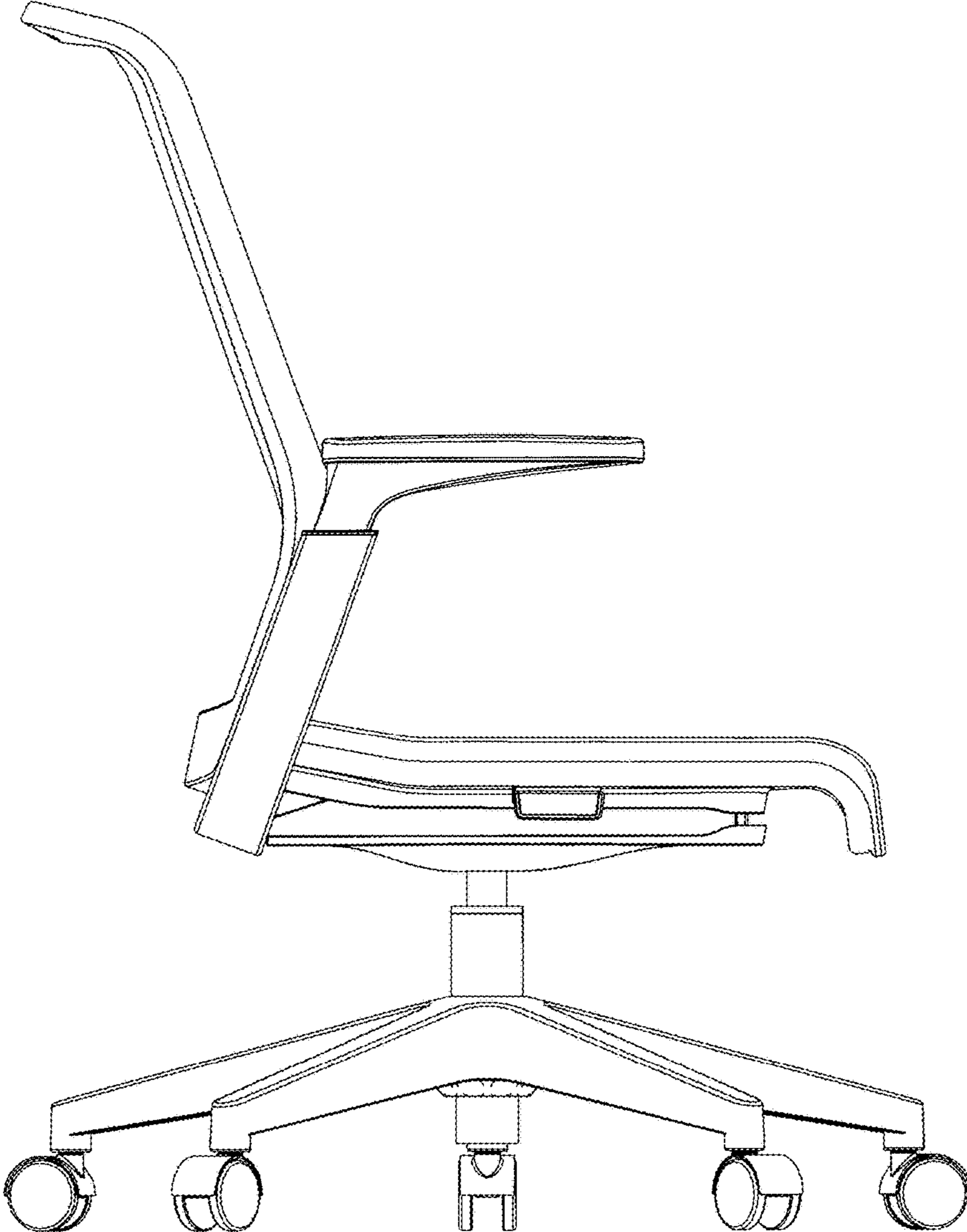


Fig. 3

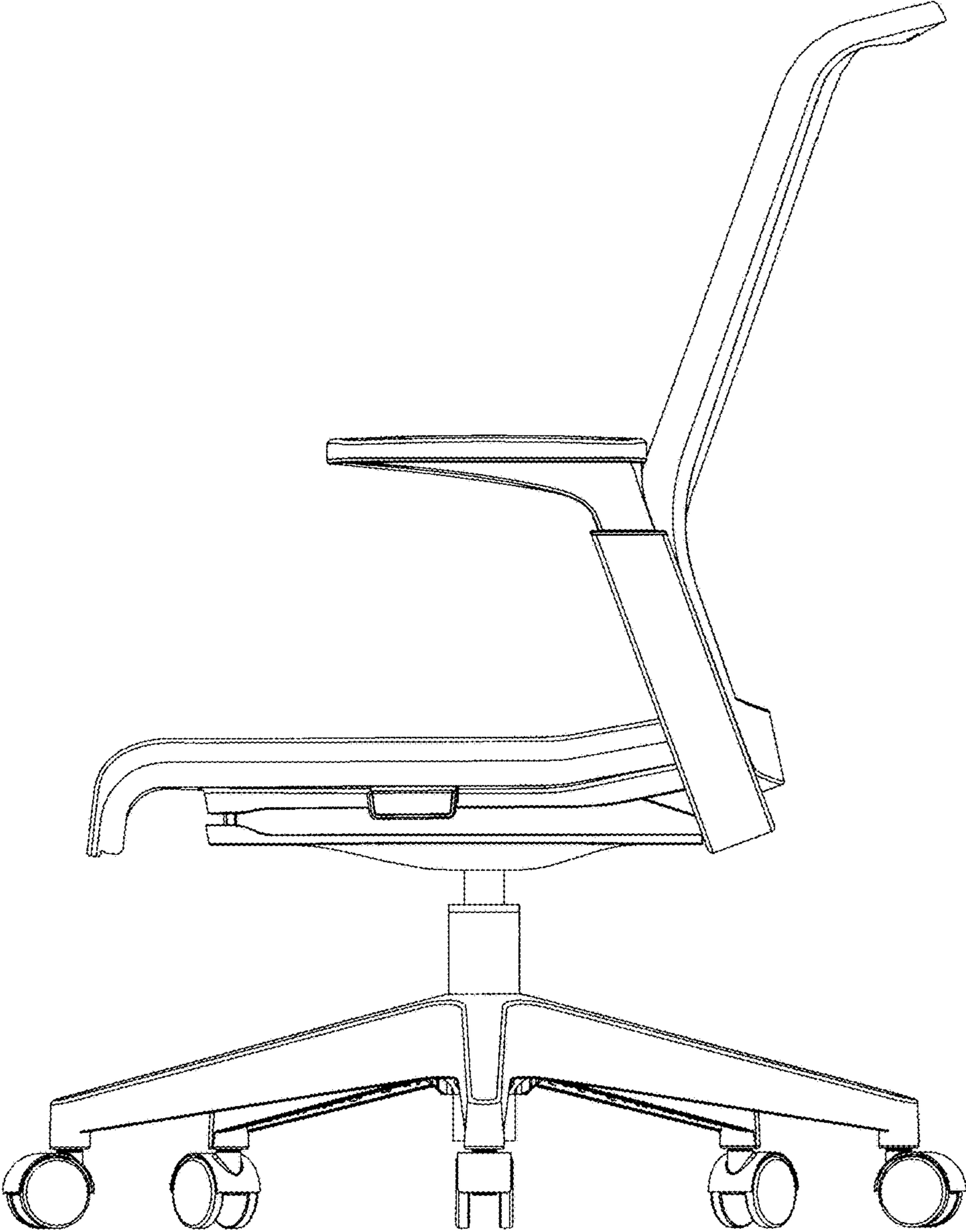


Fig. 4

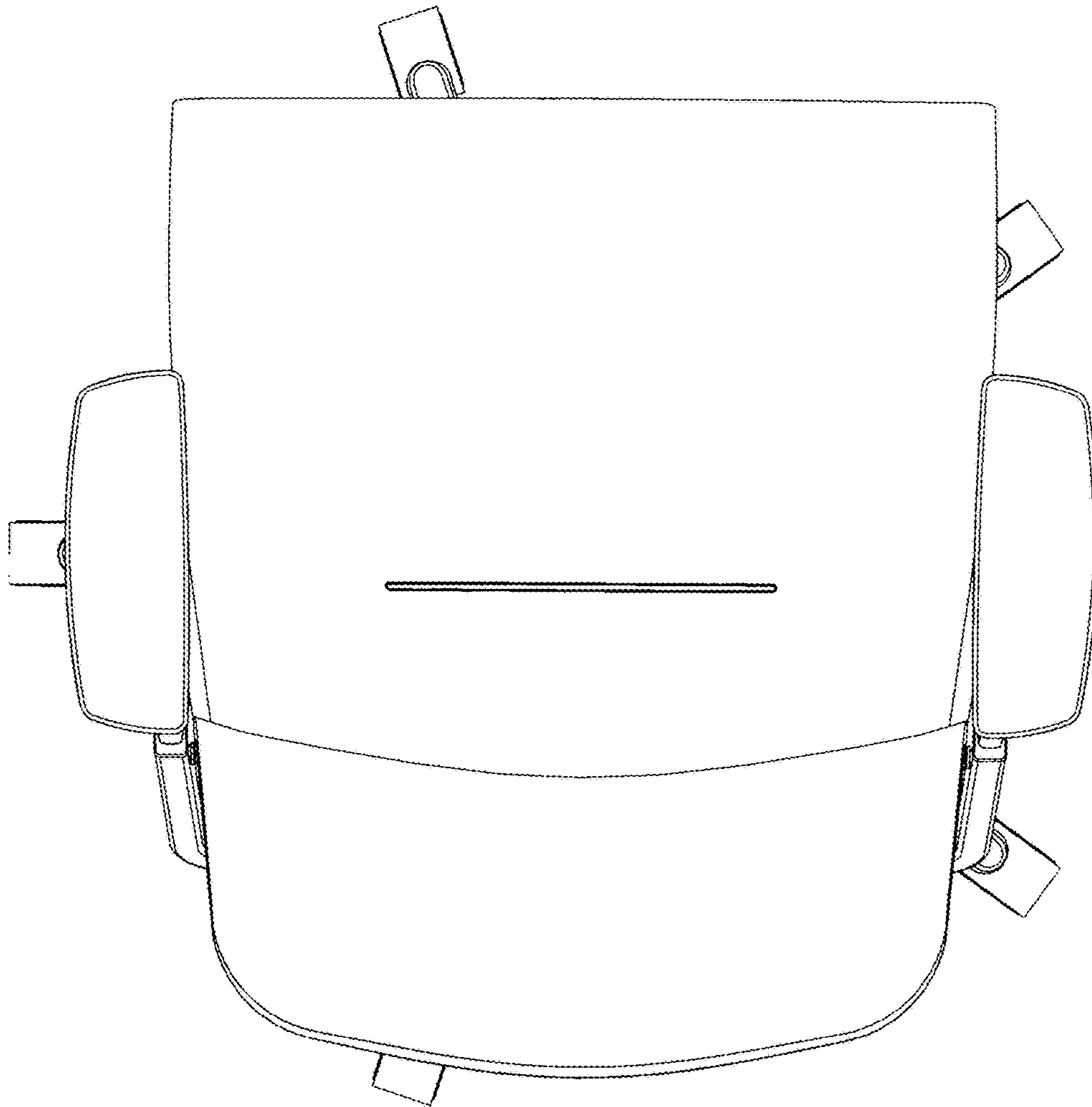


Fig. 5

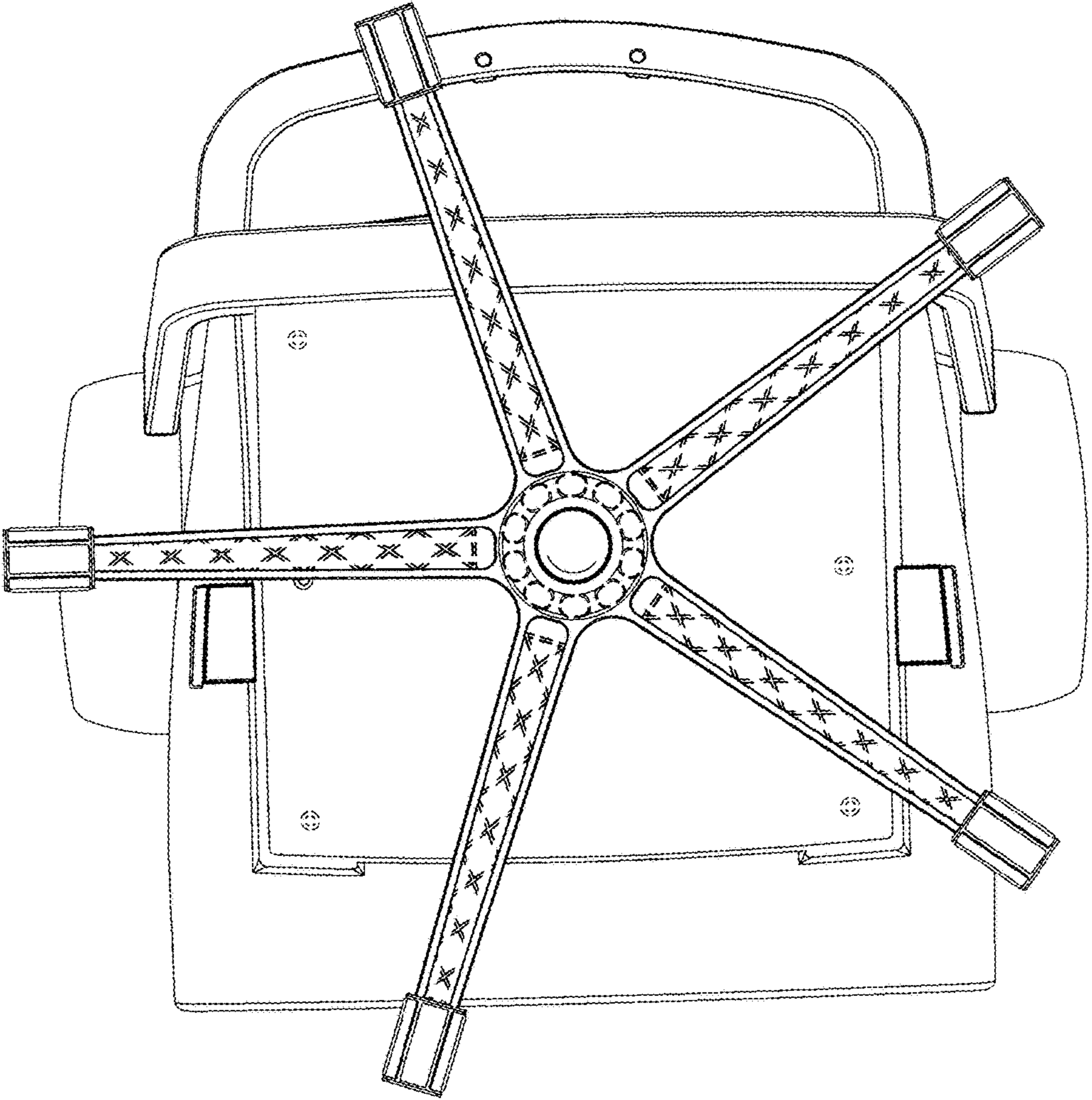


Fig. 6



Fig. 7



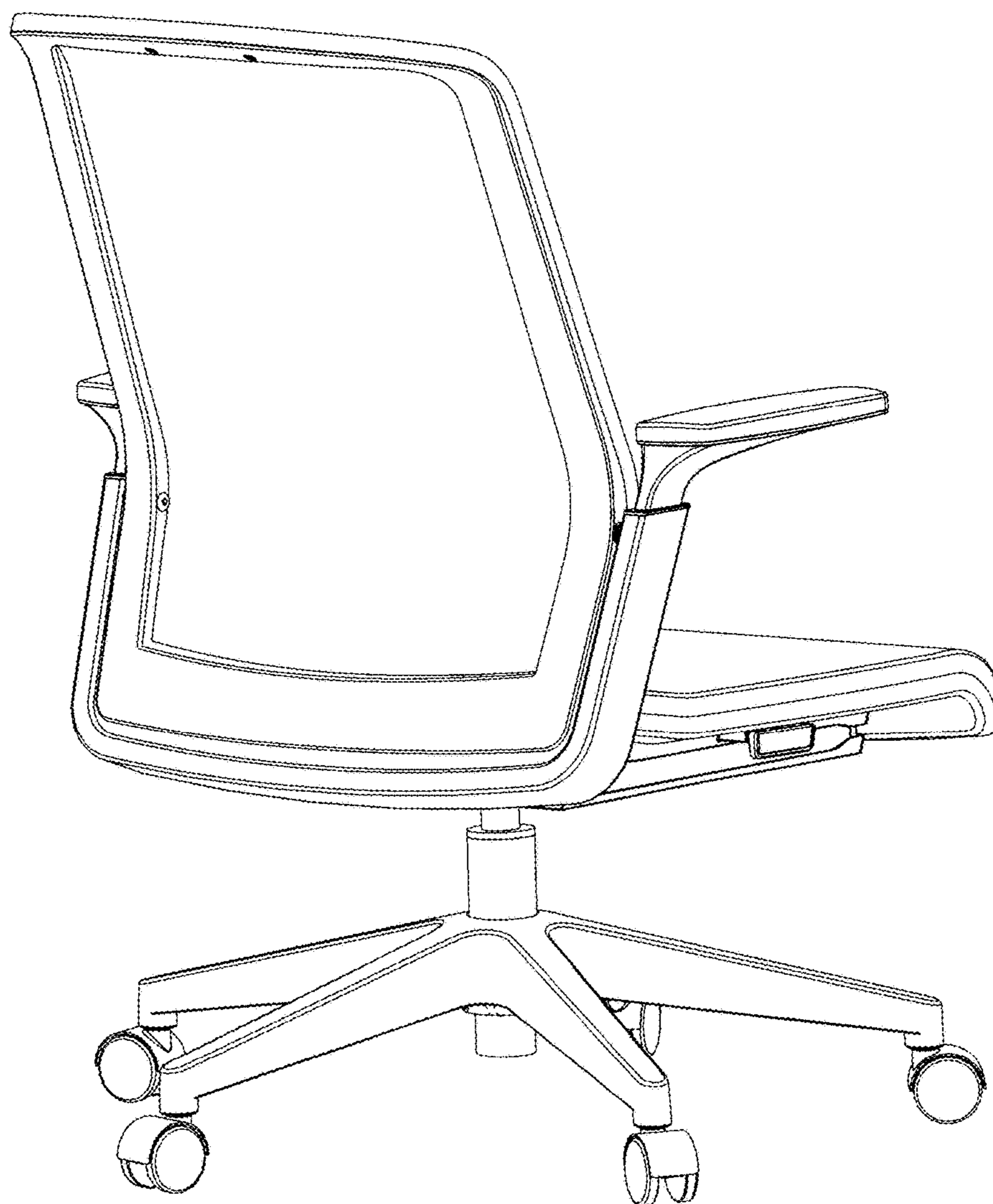


Fig. 8