



US00D856694S

(12) **United States Design Patent**  
**Shlomay**

(10) **Patent No.:** **US D856,694 S**

(45) **Date of Patent:** **\*\* Aug. 20, 2019**

(54) **STADIUM CHAIR**

(71) Applicant: **Shlomit Shlomay**, Surfside, FL (US)

(72) Inventor: **Shlomit Shlomay**, Surfside, FL (US)

(\*\*) Term: **15 Years**

(21) Appl. No.: **29/676,755**

(22) Filed: **Jan. 14, 2019**

(51) **LOC (12) Cl.** ..... **06-01**

(52) **U.S. Cl.**  
USPC ..... **D6/362; D6/368**

(58) **Field of Classification Search**  
USPC ..... D6/334-336, 362, 368, 371, 372, 373,  
D6/374, 379, 380, 716, 716.1, 716.2,  
D6/716.4  
CPC .. A47C 1/12; A47C 1/16; A47C 1/121; A47C  
1/146; A47C 3/16; A47C 7/021; A47C  
4/04; A47C 4/045; A47C 4/08  
See application file for complete search history.

(56) **References Cited**

**U.S. PATENT DOCUMENTS**

2,137,312	A *	11/1938	Thompson	.....	A47C 1/16 297/252
D121,266	S *	7/1940	Archer	.....	297/250.1
2,491,784	A *	12/1949	Thompson	.....	A47C 1/16 297/252
3,026,142	A	3/1959	Holloway		
3,066,980	A *	12/1962	Clute	.....	A47C 1/16 297/252
3,560,047	A	2/1971	Davis		
D225,494	S *	12/1972	Ahrens	.....	D6/362
4,781,413	A	11/1988	Shumack, Jr.		
D425,716	S	5/2000	Jensen		
6,352,306	B1 *	3/2002	Dreiling	.....	A47C 1/16 297/252

D468,548	S	1/2003	Head, Jr.		
6,502,902	B1 *	1/2003	Romero	.....	A47C 1/16 297/352
6,976,737	B1	12/2005	Dandolo		
7,316,452	B2 *	1/2008	Vestweber	.....	A47C 1/16 297/252
7,374,246	B2	5/2008	Jones		
D571,115	S	6/2008	Cohen		
D610,821	S *	3/2010	Dreiling	.....	D6/362
D634,951	S *	3/2011	Dreiling	.....	D6/362
D771,400	S	11/2016	DoVale		
D773,841	S *	12/2016	Lyles	.....	D6/362
D802,317	S *	11/2017	Head, Jr.	.....	D6/368
2007/0018491	A1 *	1/2007	Jones	.....	A47C 1/16 297/352
2008/0093902	A1	4/2008	Jones		

\* cited by examiner

*Primary Examiner* — Mimosa De

(74) *Attorney, Agent, or Firm* — Brett A. Schenck

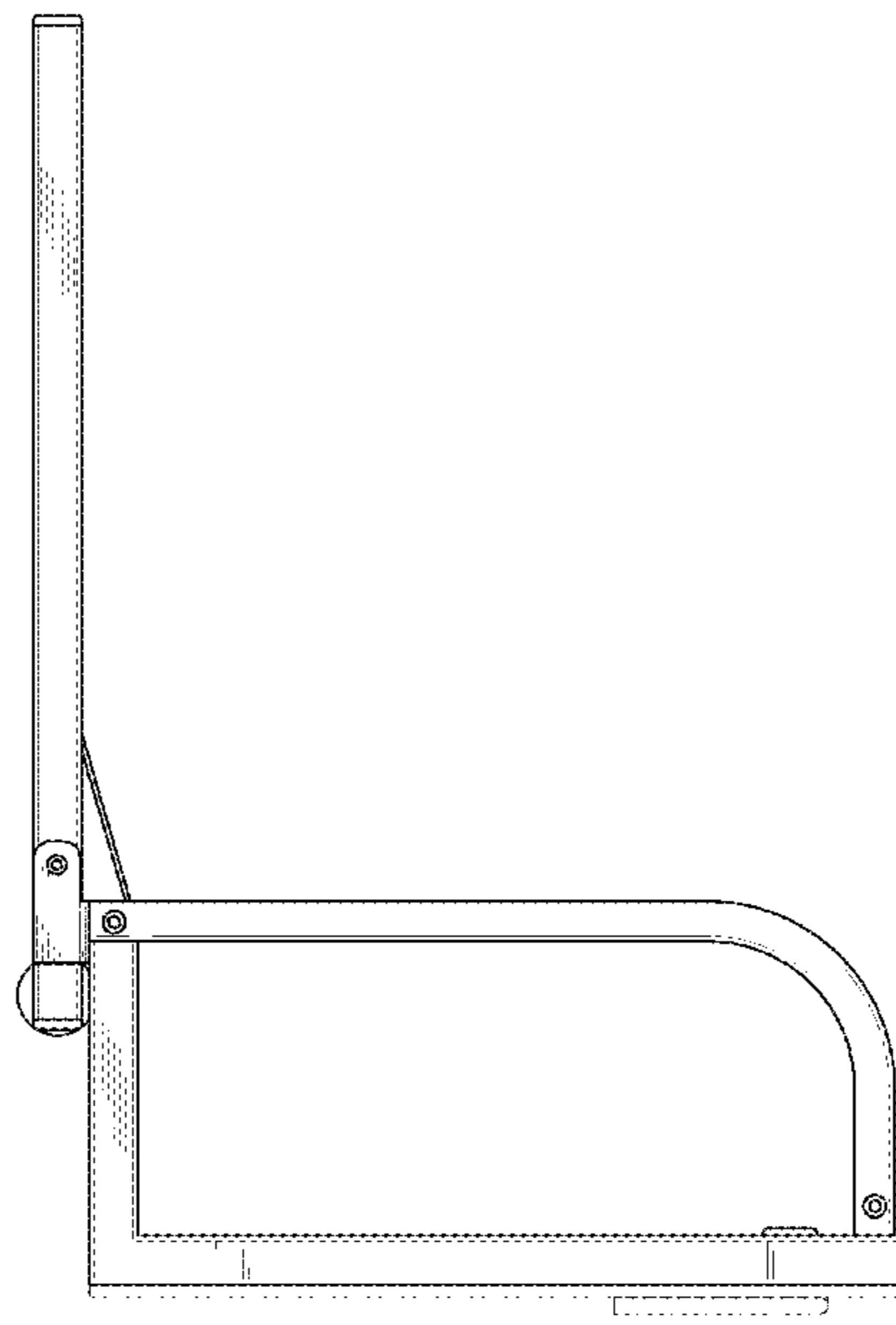
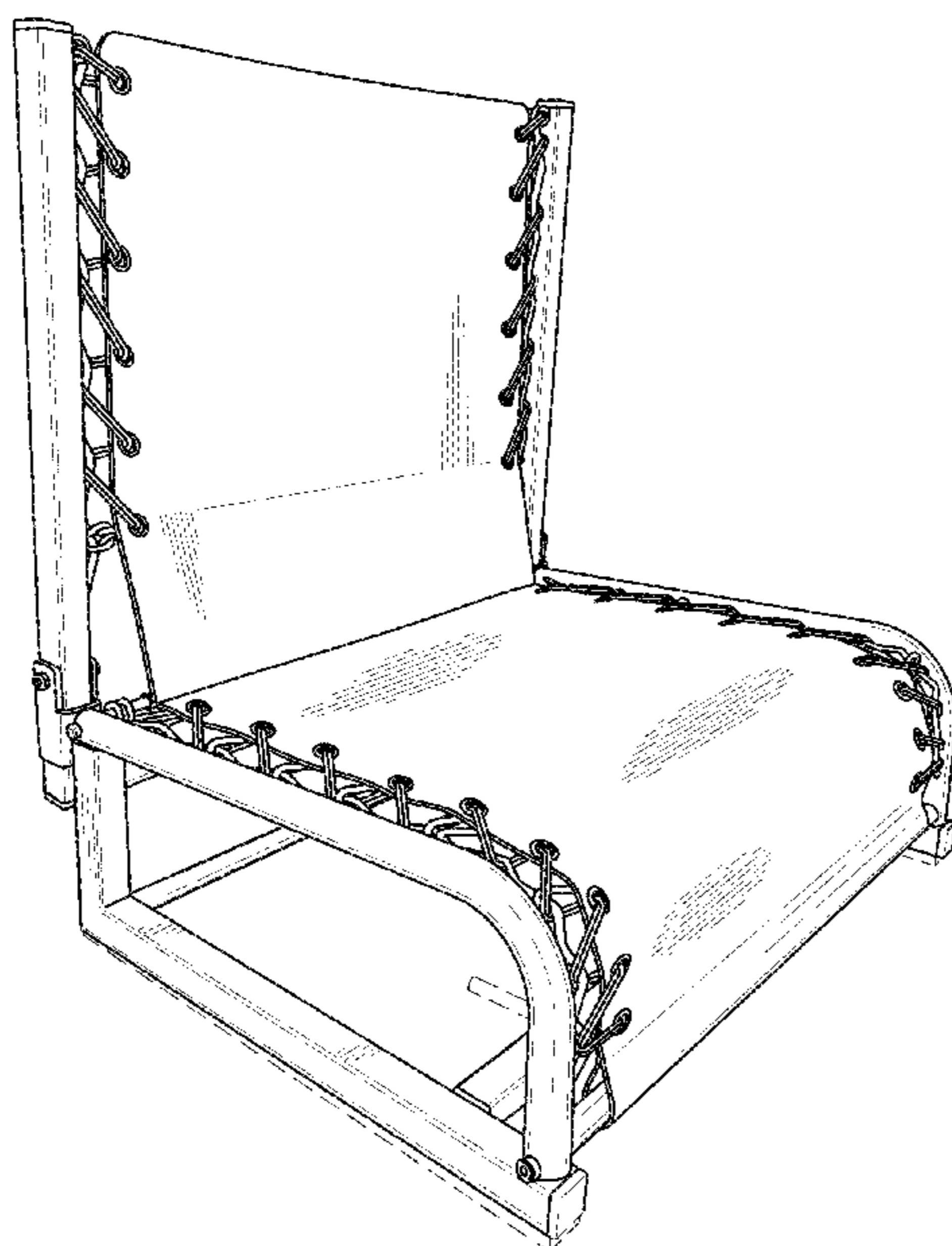
(57) **CLAIM**

The ornamental design for a stadium chair, as shown and described.

**DESCRIPTION**

FIG. 1 is a front and left perspective view of a stadium chair, showing my new design;  
FIG. 2 is a front view thereof;  
FIG. 3 is a right side view thereof;  
FIG. 4 is a left side view thereof;  
FIG. 5 is a rear view thereof;  
FIG. 6 is a top view thereof; and,  
FIG. 7 is a bottom view thereof.  
The even length broken lines in the drawings depict portions of the stadium chair that form no part of the claimed design.

**1 Claim, 7 Drawing Sheets**



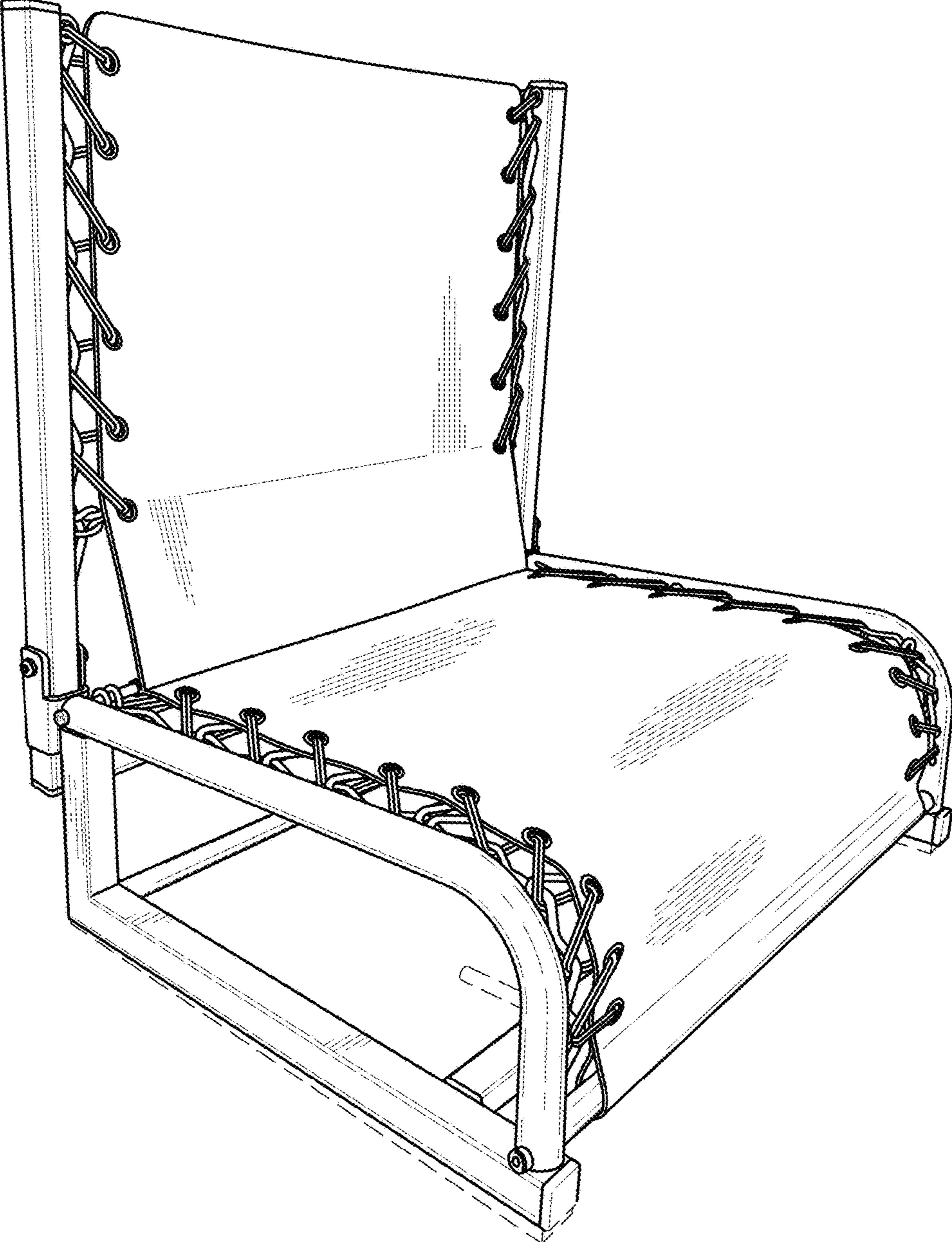


FIG. 1

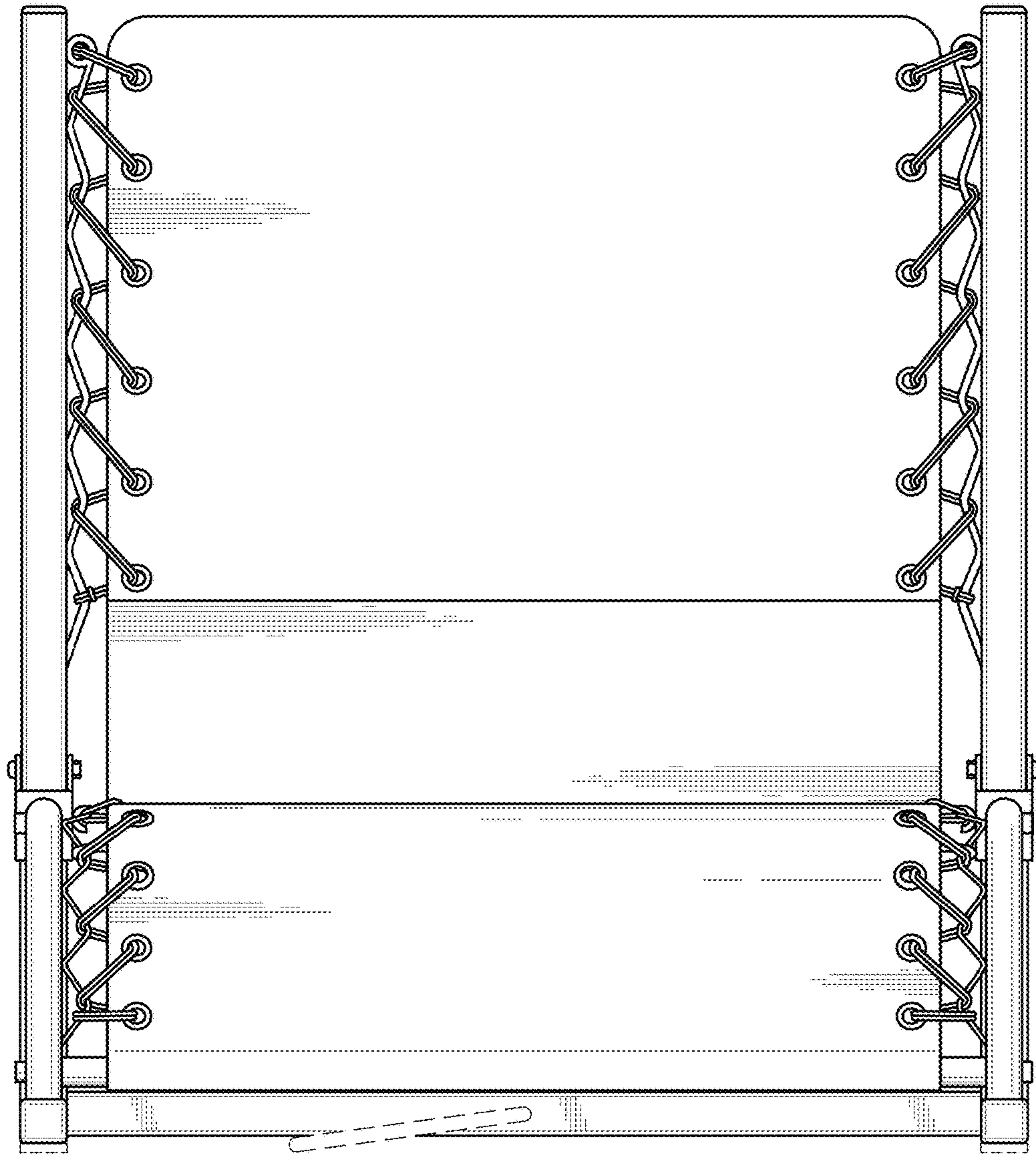


FIG. 2

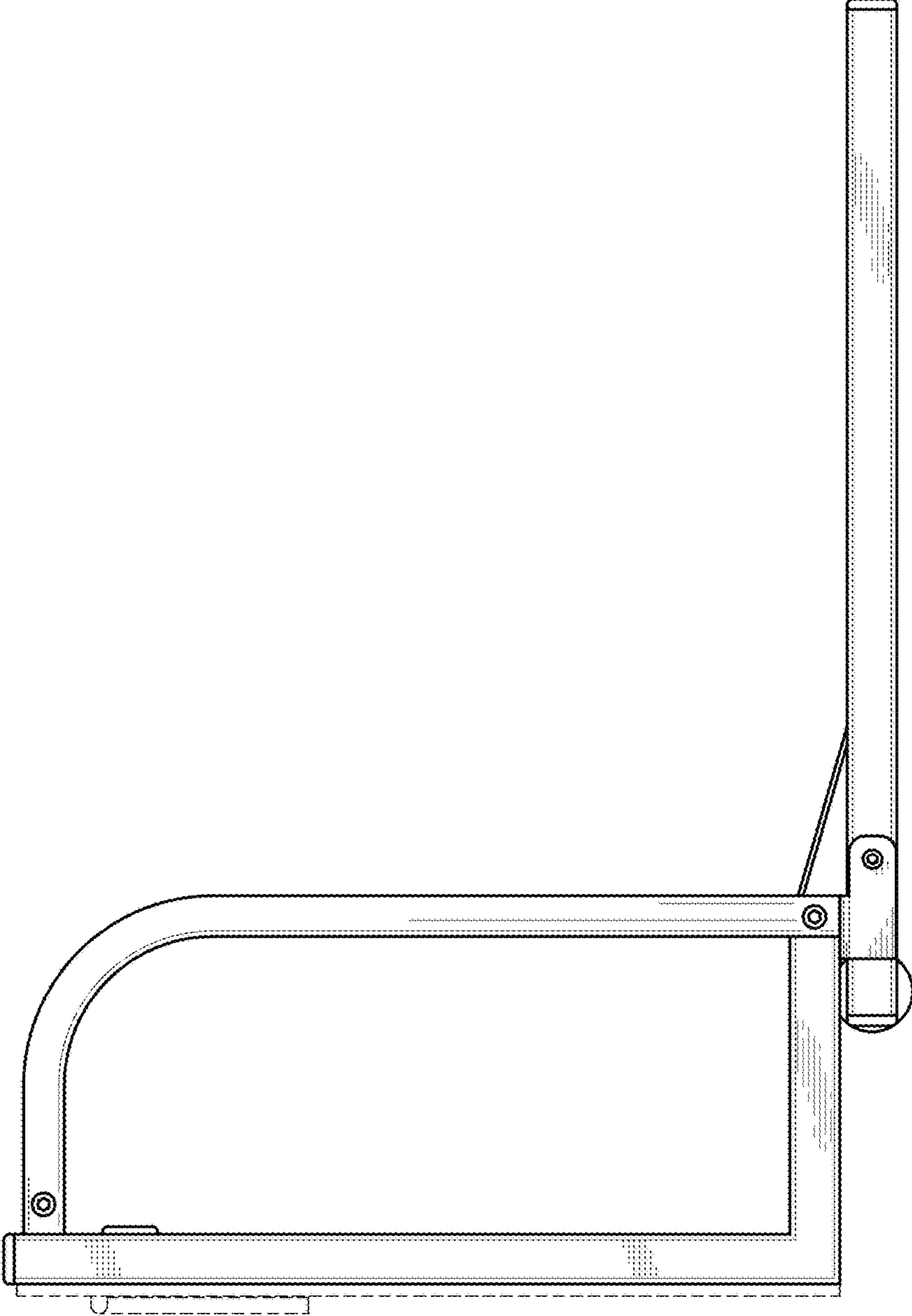


FIG. 3

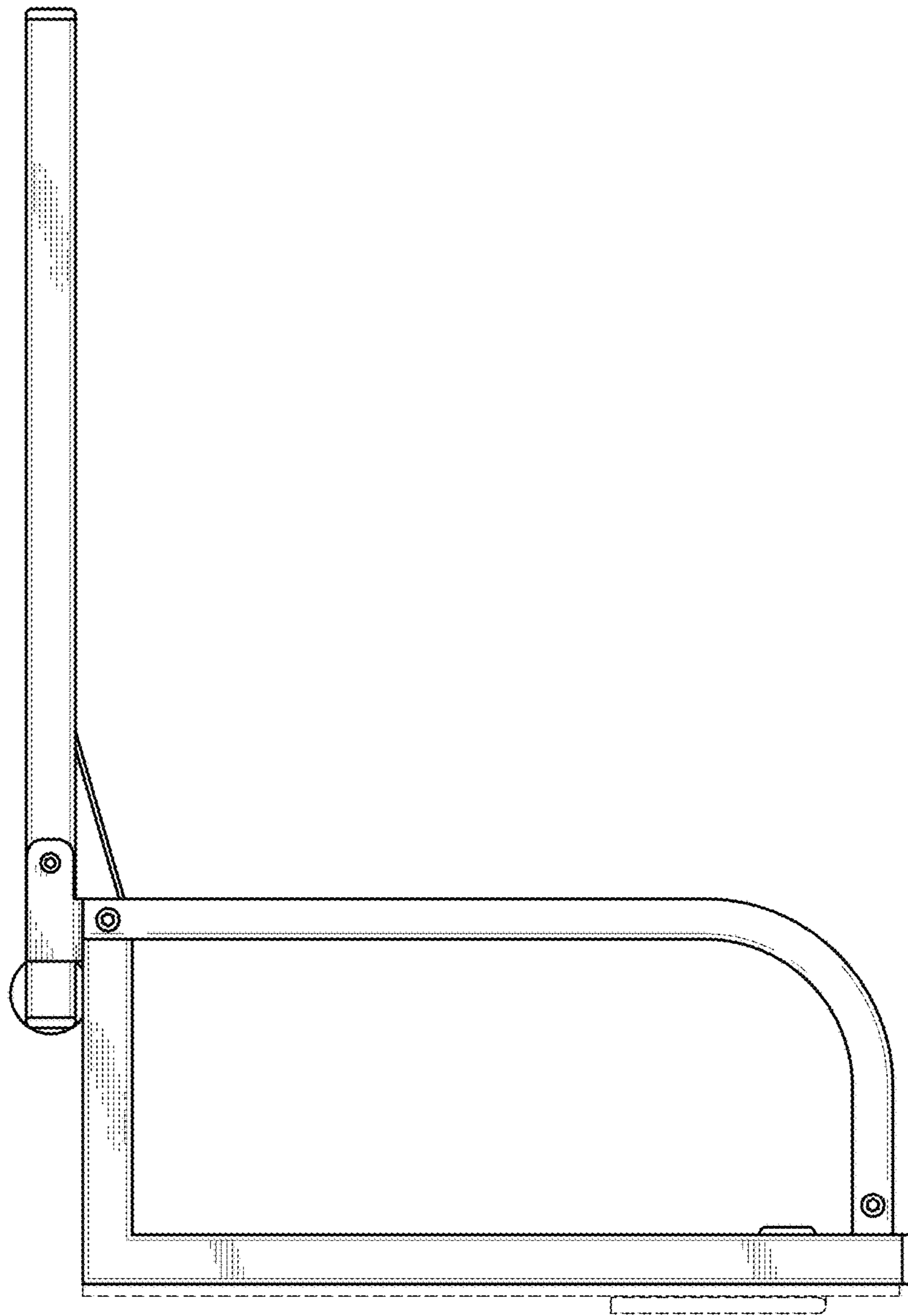


FIG. 4

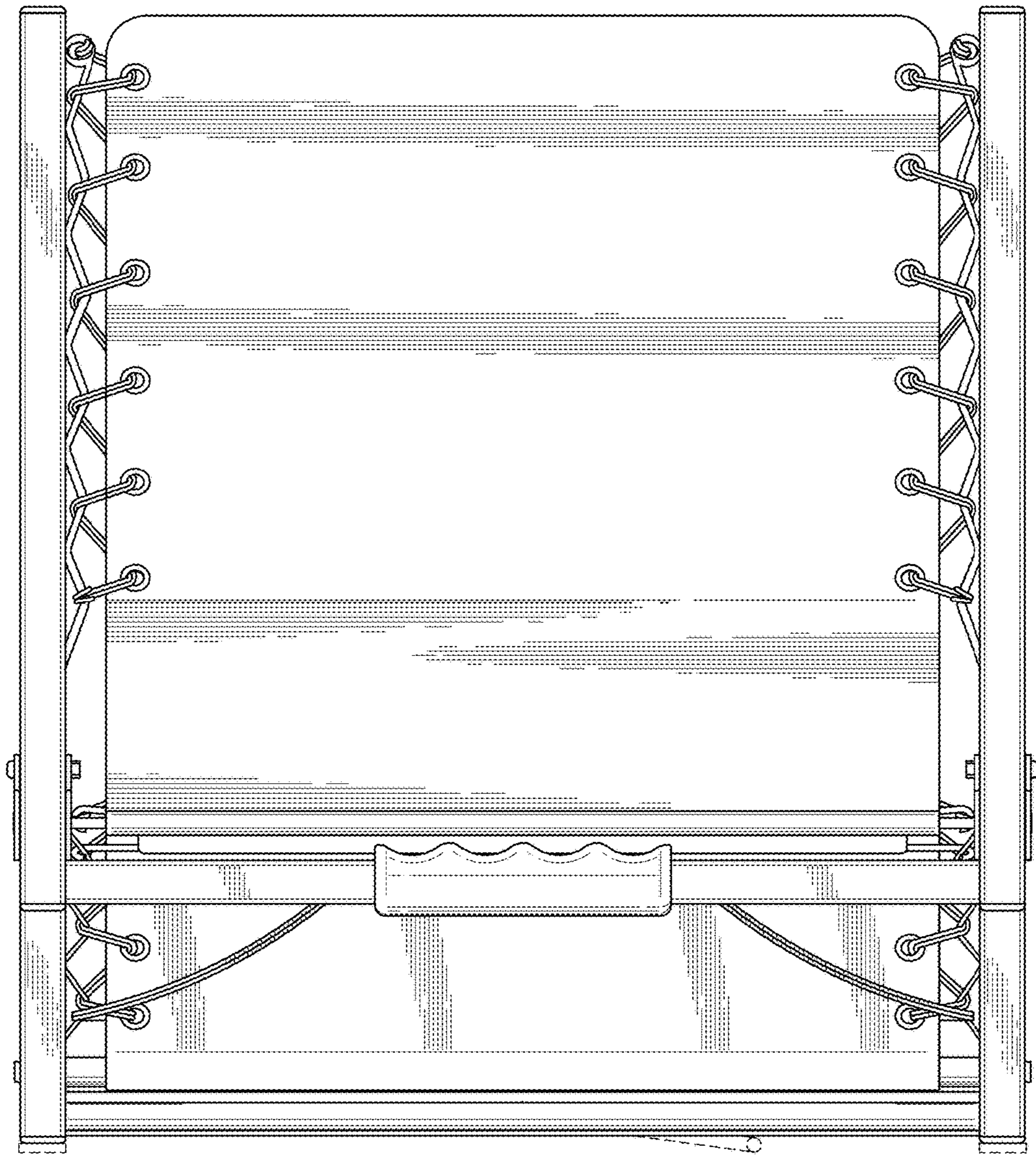


FIG. 5

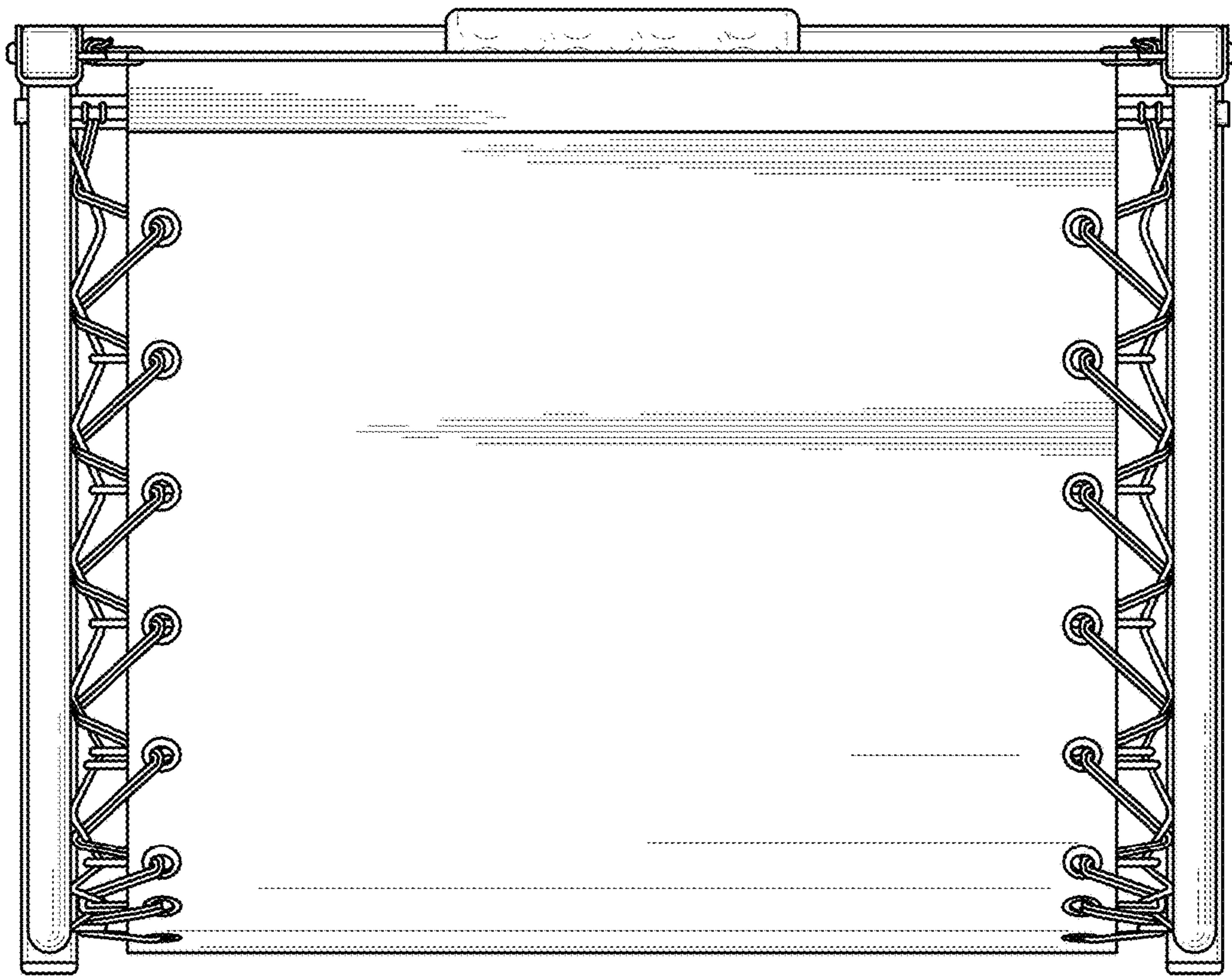


FIG. 6

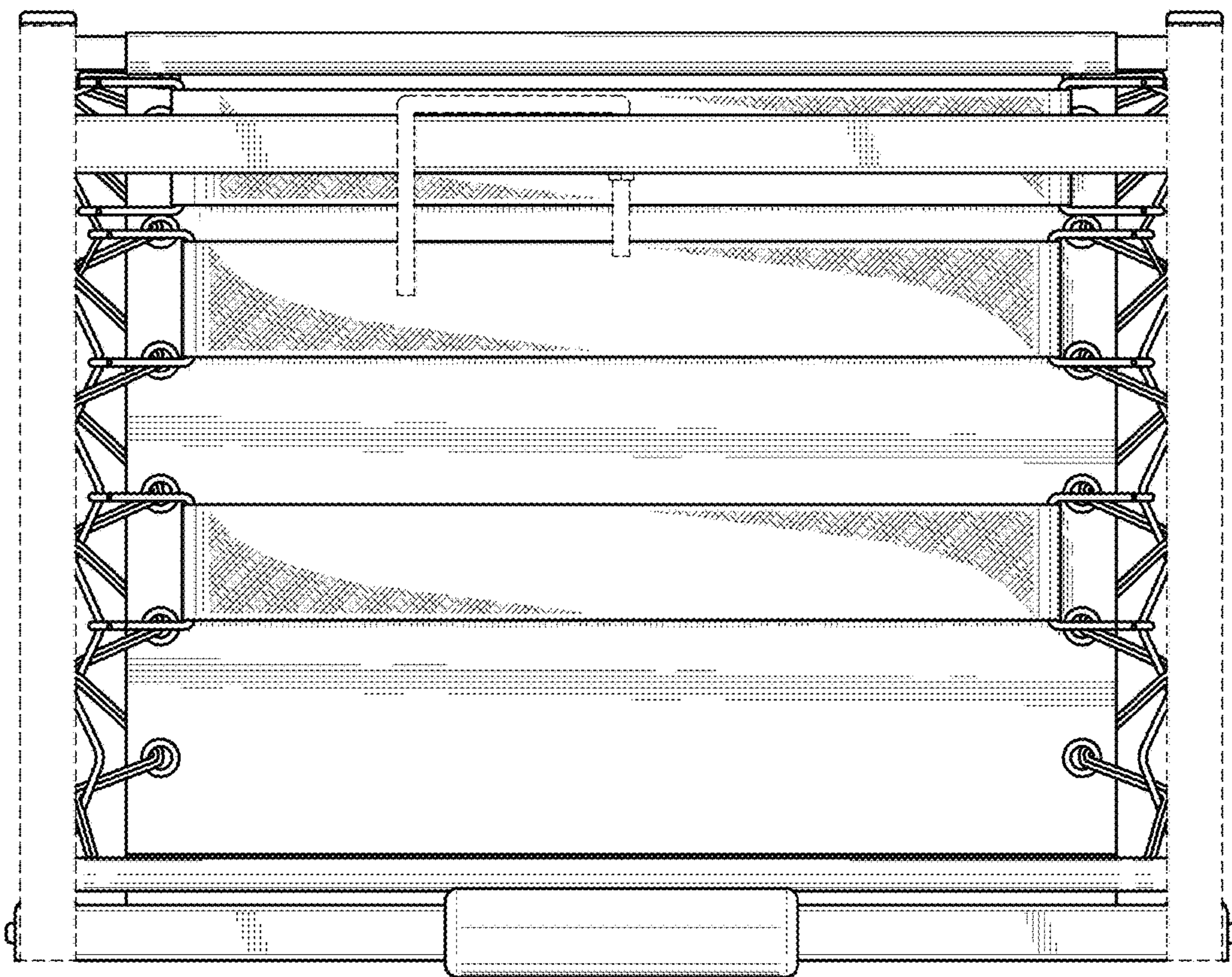


FIG. 7