



US00D856692S

(12) **United States Design Patent**
Veneruso

(10) **Patent No.:** **US D856,692 S**

(45) **Date of Patent:** **** Aug. 20, 2019**

(54) **SEATING UNIT**

(71) Applicant: **AVIOINTERIORS S.P.A.**, Naples (IT)

(72) Inventor: **Alberto Veneruso**, Naples (IT)

(73) Assignee: **AVIOINTERIORS S.P.A.**, Naples (IT)

(**) Term: **15 Years**

(21) Appl. No.: **35/504,068**

(22) Filed: **Oct. 24, 2017**

(80) **Hague Agreement Data**

Int. Filing Date: **Oct. 24, 2017**

Int. Reg. No.: **DM/098588**

Int. Reg. Date: **Oct. 24, 2017**

Int. Reg. Pub. Date: **Dec. 8, 2017**

(51) **LOC (12) Cl.** **06-01**

(52) **U.S. Cl.**
USPC **D6/356; D6/335**

(58) **Field of Classification Search**
USPC D6/334–338, 356
CPC B64D 11/00; B64D 11/06; B64D 11/0601;
B64D 11/0602; B64D 11/0605; B64D
11/0606; B64D 11/0646; B60N 2/00;
B60N 2/01; B60N 2/24; B60N 3/001;
B60N 3/002

See application file for complete search history.

(56) **References Cited**

U.S. PATENT DOCUMENTS

8,313,059 B2 * 11/2012 Ferry B60N 2/206
244/118.6
D696,033 S * 12/2013 Ersan B60N 2/01
D6/356

9,550,573 B2 * 1/2017 Ersan B64D 11/06
D809,811 S * 2/2018 Moyes B60N 3/002
D6/356
10,081,428 B2 * 9/2018 Clucas B64D 11/0636
D830,712 S * 10/2018 Goode B64D 11/06
D6/356
2009/0243352 A1 * 10/2009 Cailleteau B64D 11/06
297/188.01
2010/0163674 A1 * 7/2010 Bock B64D 11/06
244/118.6
2010/0252680 A1 * 10/2010 Porter B60N 2/01
244/118.6
2012/0167807 A1 * 7/2012 Legeay B60N 3/002
108/41
2017/0327232 A1 * 11/2017 Morgan B64D 11/06
2018/0105273 A1 * 4/2018 Robinson B64D 11/0605
2018/0281965 A1 * 10/2018 Pons B60N 2/914

* cited by examiner

Primary Examiner — Mary Ann Calabrese

(74) *Attorney, Agent, or Firm* — Maier & Maier, PLLC

(57) **CLAIM**

The ornamental design for a seating unit, as shown and described.

DESCRIPTION

1. Seating unit

Figure 1.1 is a front perspective view of a seating unit for public transport;

Figure 1.2 is a top view thereof;

Figure 1.3 is a bottom view thereof;

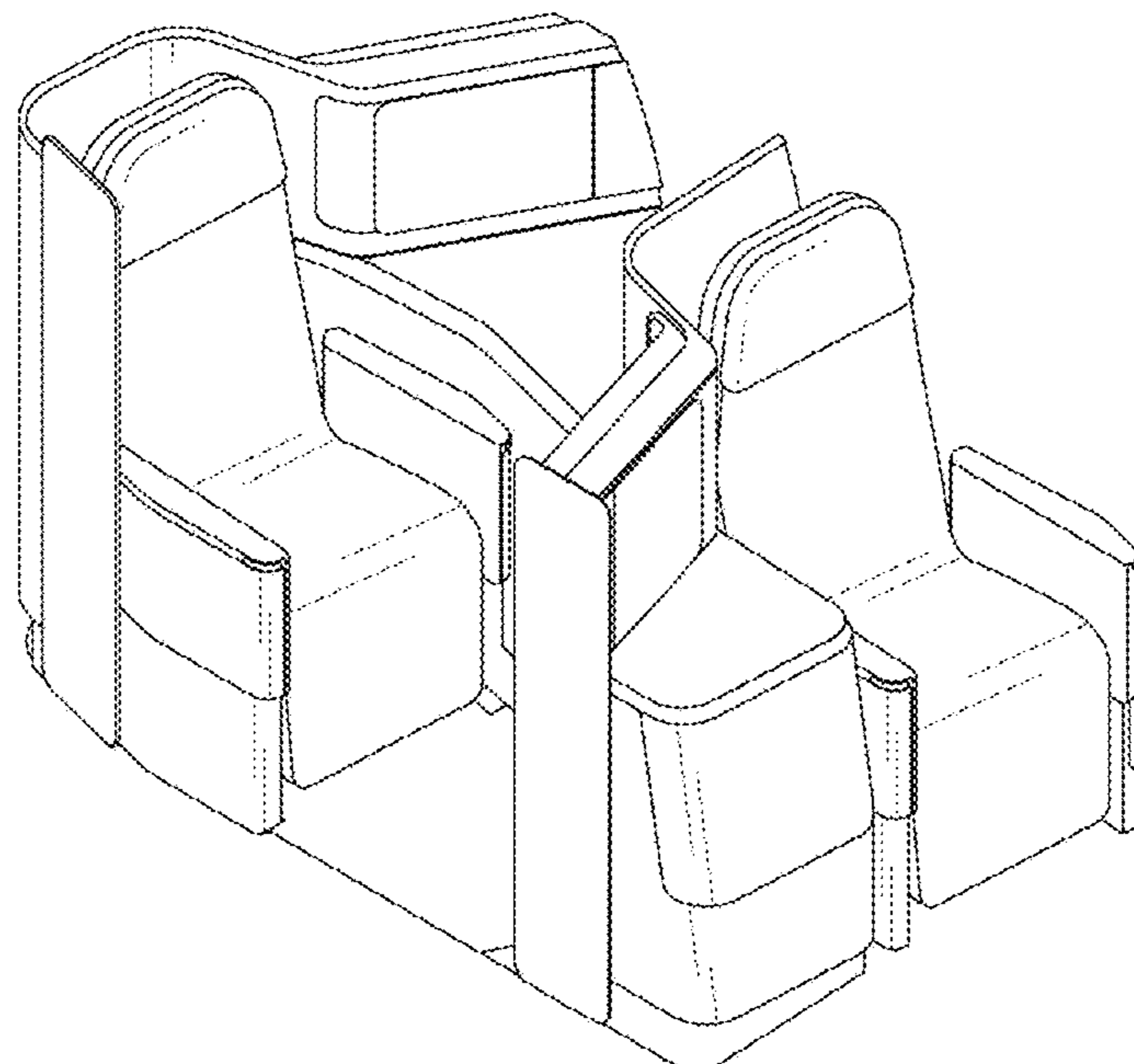
Figure 1.4 is a left side view thereof;

Figure 1.5 is a right side view thereof;

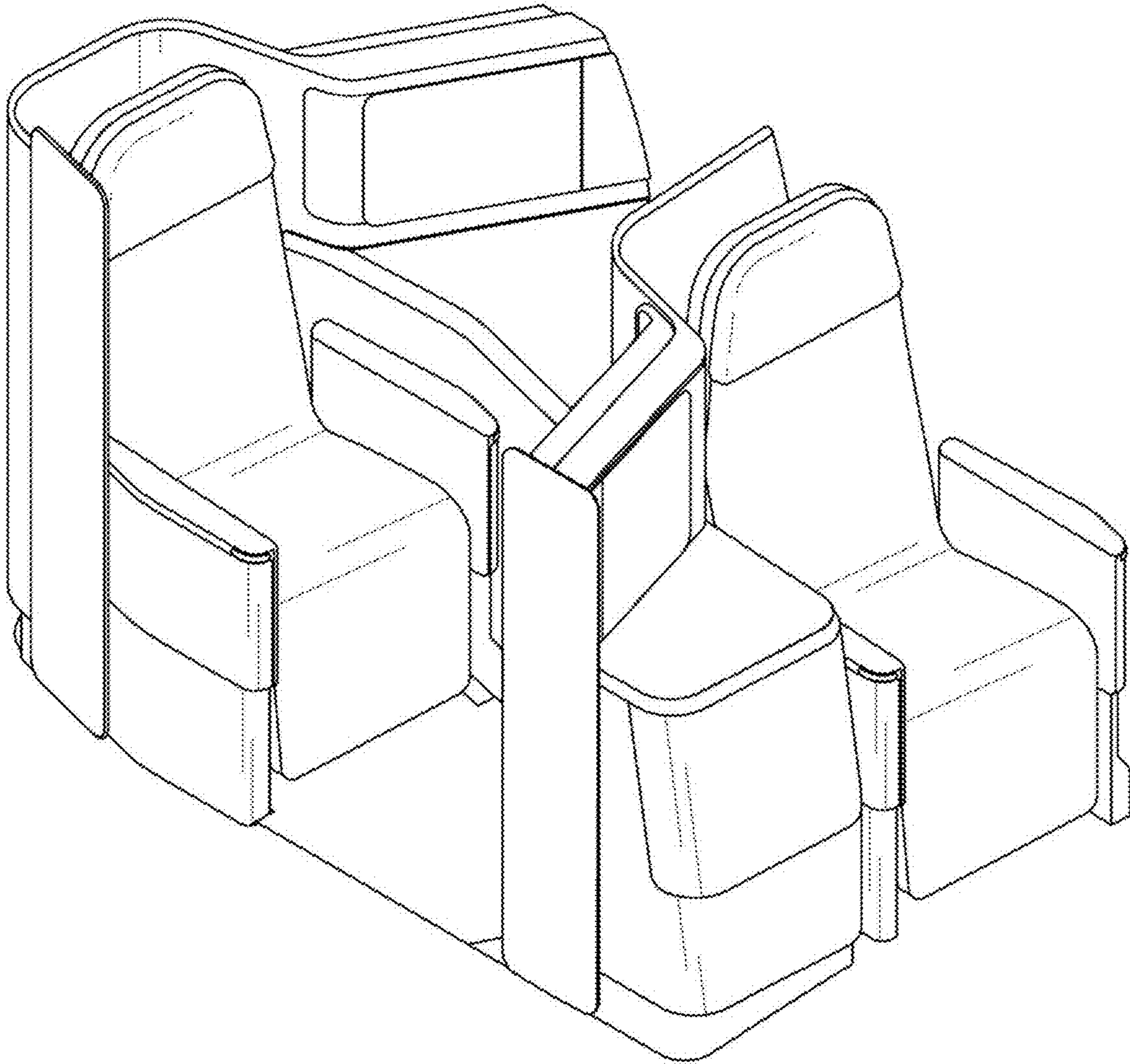
Figure 1.6 is a front view thereof; and

Figure 1.7 is a rear view thereof.

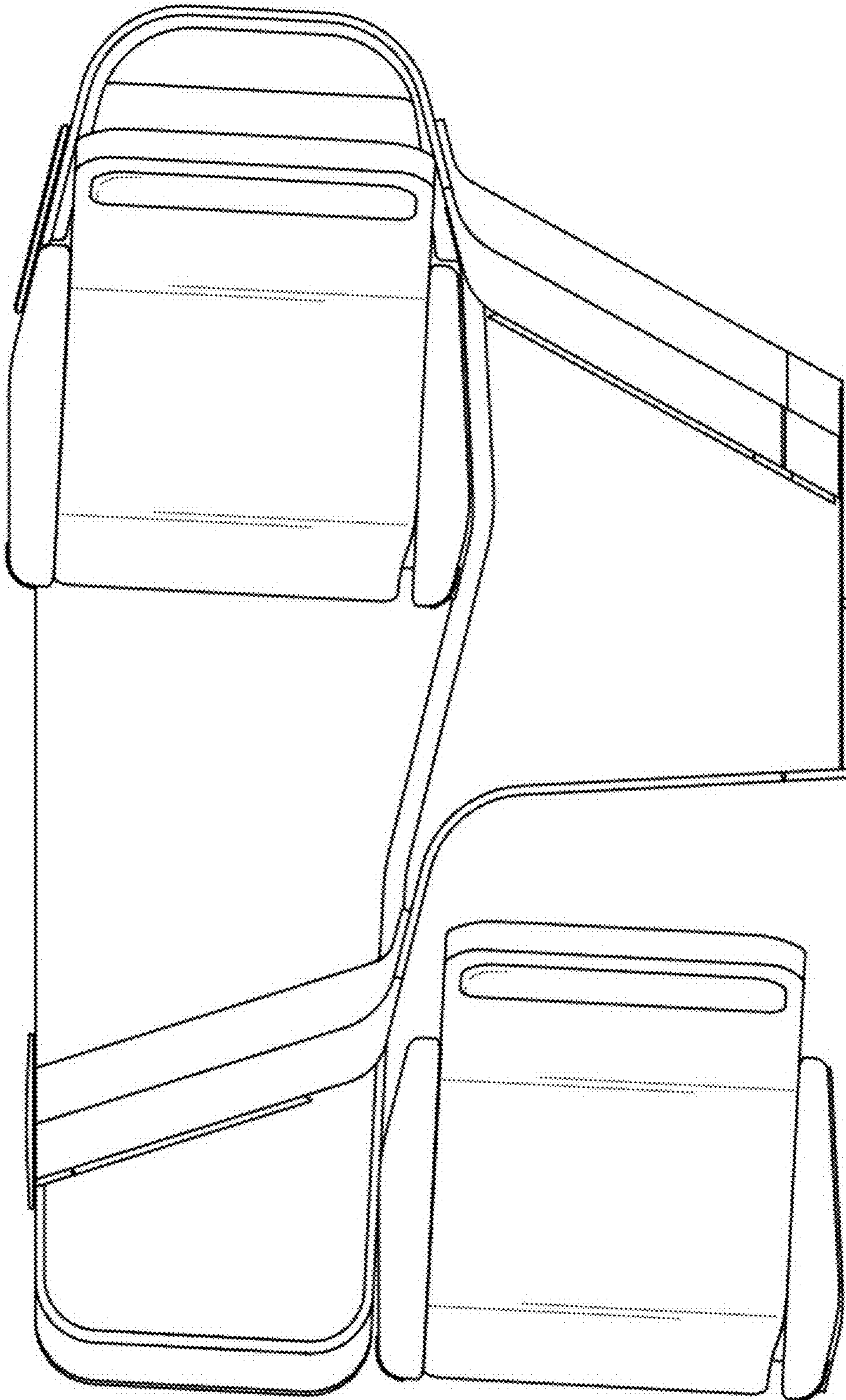
1 Claim, 7 Drawing Sheets



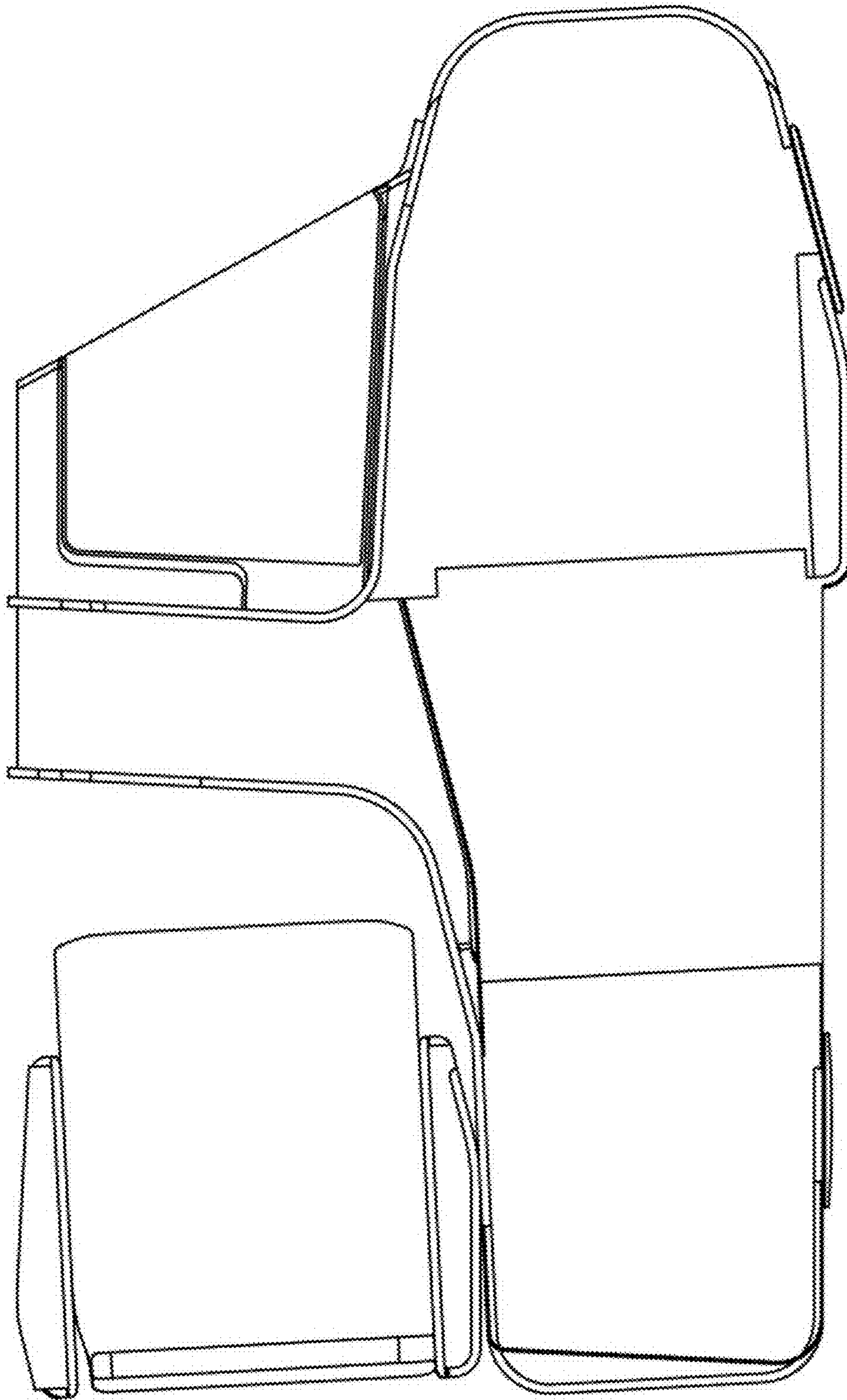
1.1



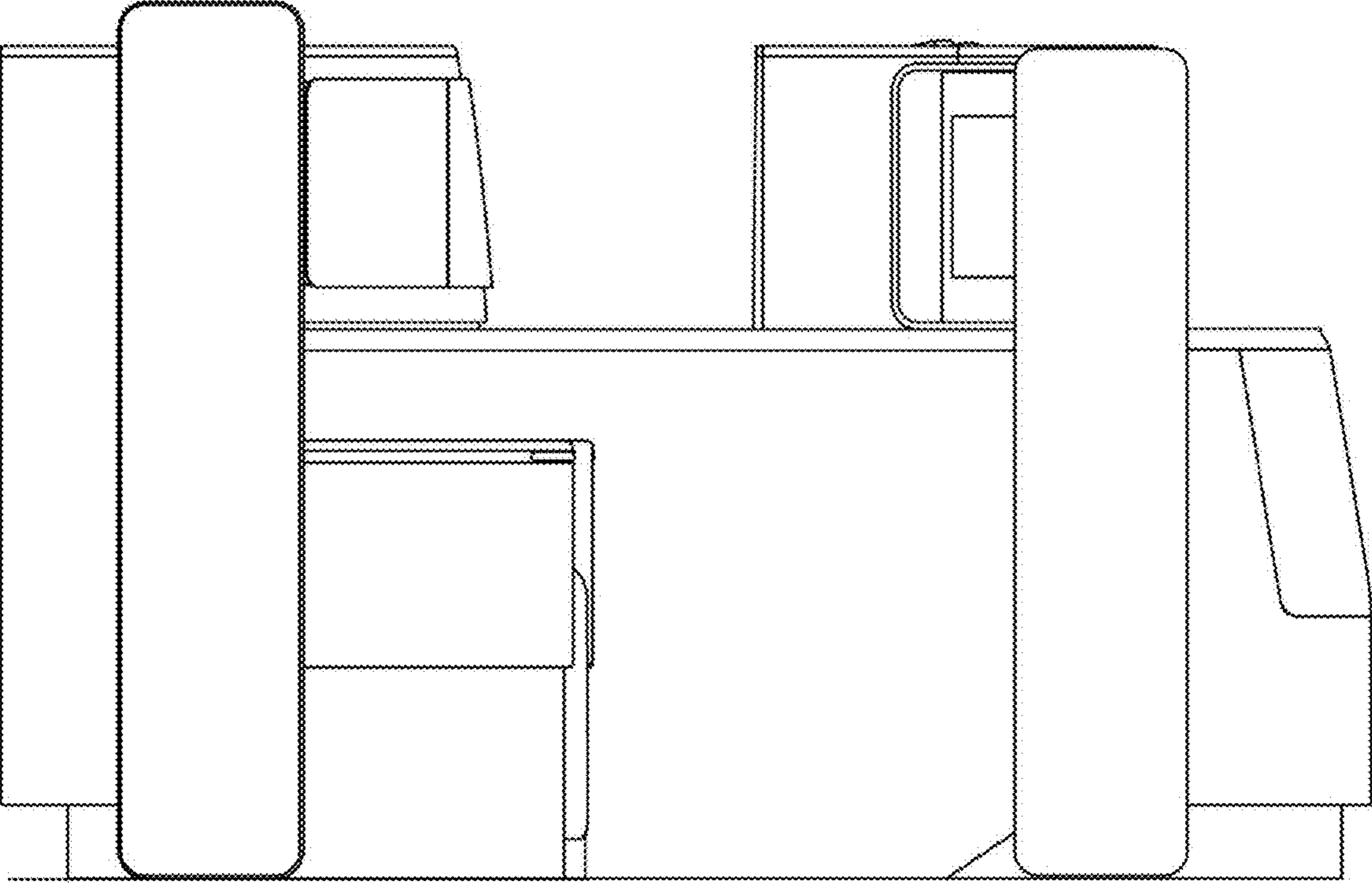
1.2



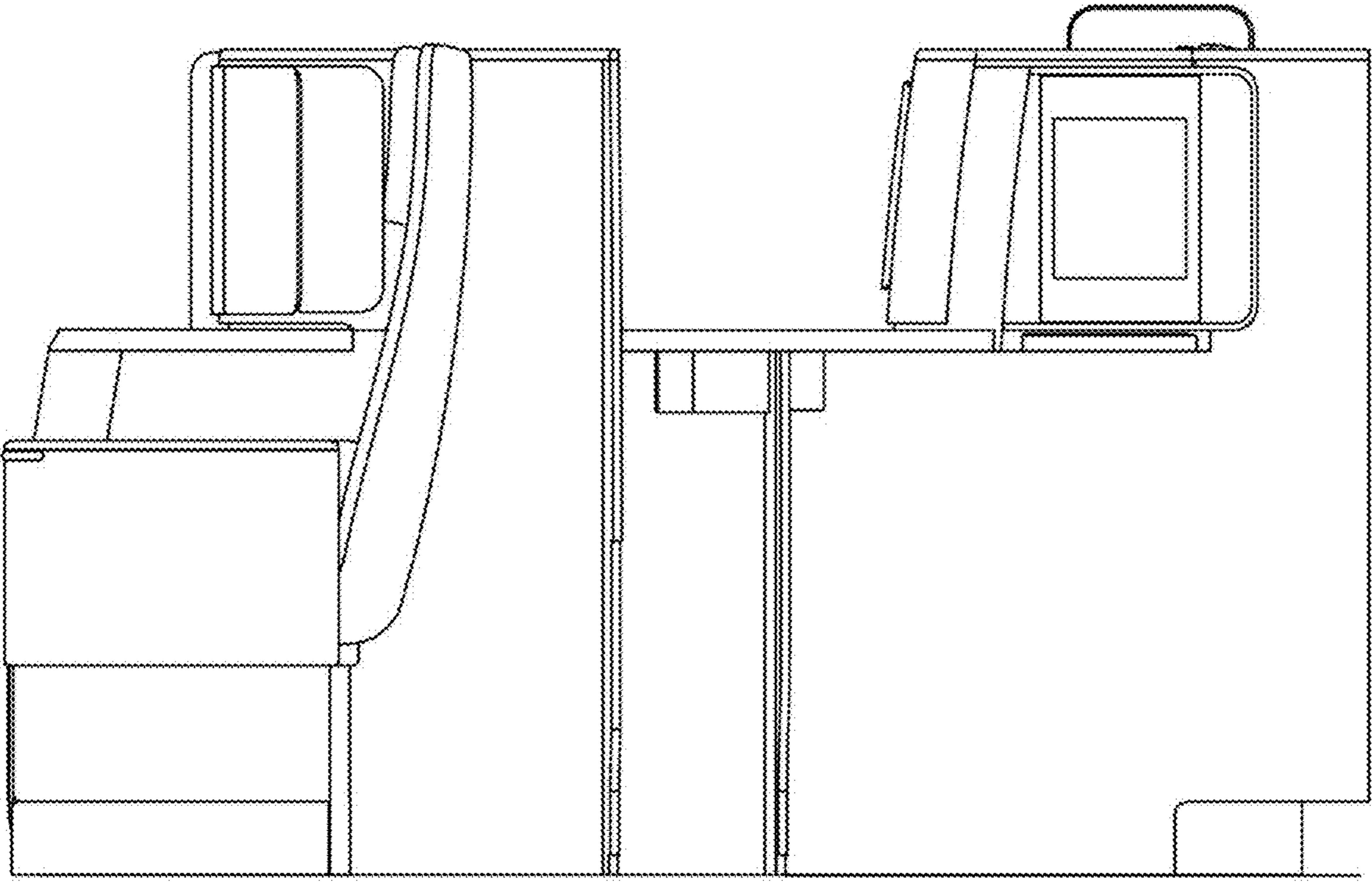
1.3



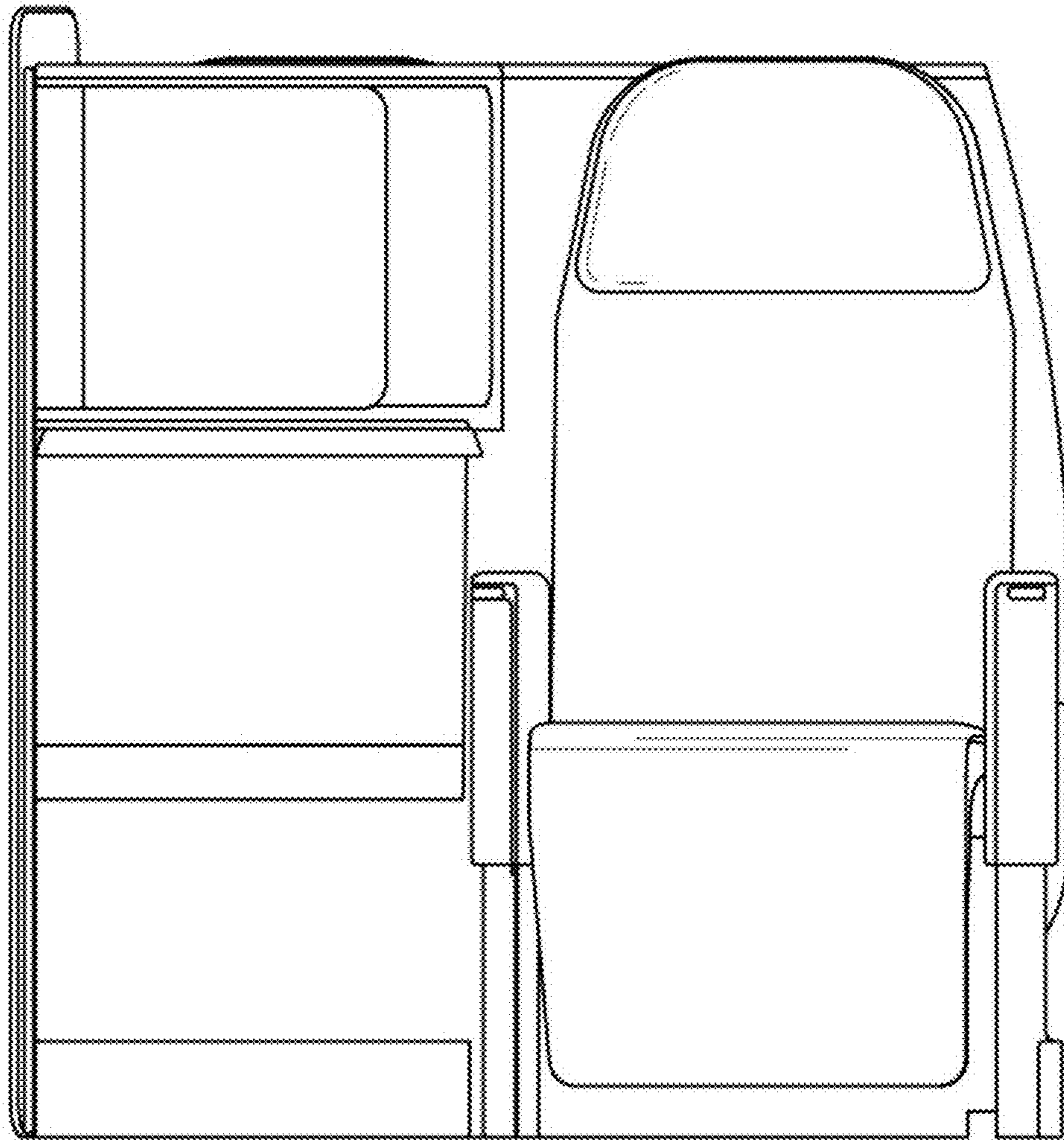
1.4



1.5



1.6



1.7

