



US00D856690S

(12) **United States Design Patent** (10) **Patent No.:** **US D856,690 S**  
**Kumagai et al.** (45) **Date of Patent:** **\*\* Aug. 20, 2019**

(54) **VEHICLE SEAT**

(71) Applicant: **TACHI-S Co., Ltd.**, Tokyo (JP)

(72) Inventors: **Kotaro Kumagai**, Tokyo (JP);  
**Masayuki Taguchi**, Tokyo (JP)

(73) Assignee: **TACHI-S CO., LTD.**, Tokyo (JP)

(\*\*) Term: **15 Years**

(21) Appl. No.: **29/616,820**

(22) Filed: **Sep. 8, 2017**

**Related U.S. Application Data**

(62) Division of application No. 35/500,583, filed on Aug. 11, 2015 (U.S. filing date under 35 U.S.C. 384), and having an international filing date of Aug. 11, 2015, now Pat. No. Des. 799,872.

(30) **Foreign Application Priority Data**

Feb. 13, 2015	(JP)	2015-002878
Feb. 13, 2015	(JP)	2015-002879
Feb. 13, 2015	(JP)	2015-002880
Feb. 13, 2015	(JP)	2015-002881
Feb. 13, 2015	(JP)	2015-002882
Feb. 13, 2015	(JP)	2015-002883
Mar. 31, 2015	(JP)	2015-007202
Mar. 31, 2015	(JP)	2015-007203
Mar. 31, 2015	(JP)	2015-007204
Mar. 31, 2015	(JP)	2015-007205
Mar. 31, 2015	(JP)	2015-007206

(51) **LOC (12) Cl.** ..... **06-01**

(52) **U.S. Cl.**  
USPC ..... **D6/356; D6/716.4**

(58) **Field of Classification Search**  
USPC ..... D6/334, 356, 716, 716.1, 716.4  
CPC .... A47C 1/00; A47C 3/00; A47C 5/00; A47C  
7/00; B60N 2/58; B60N 2/5883; B60N  
2/64

See application file for complete search history.

(56) **References Cited**

U.S. PATENT DOCUMENTS

D626,349	S	*	11/2010	Bashir	.....	D6/356
D644,047	S	*	8/2011	Fujii	.....	D6/356
D644,461	S	*	9/2011	Fujii	.....	D6/356
D644,462	S	*	9/2011	Fujii	.....	D6/356
D644,463	S	*	9/2011	Fujii	.....	D6/356
D644,464	S	*	9/2011	Fujii	.....	D6/356
D644,465	S	*	9/2011	Fujii	.....	D6/356
D737,586	S	*	9/2015	Taguchi	.....	D6/356

(Continued)

*Primary Examiner* — Mary Ann Calabrese

(74) *Attorney, Agent, or Firm* — Fitch, Even, Tabin & Flannery, LLP

(57) **CLAIM**

We claim the ornamental design for a vehicle seat, as shown and described.

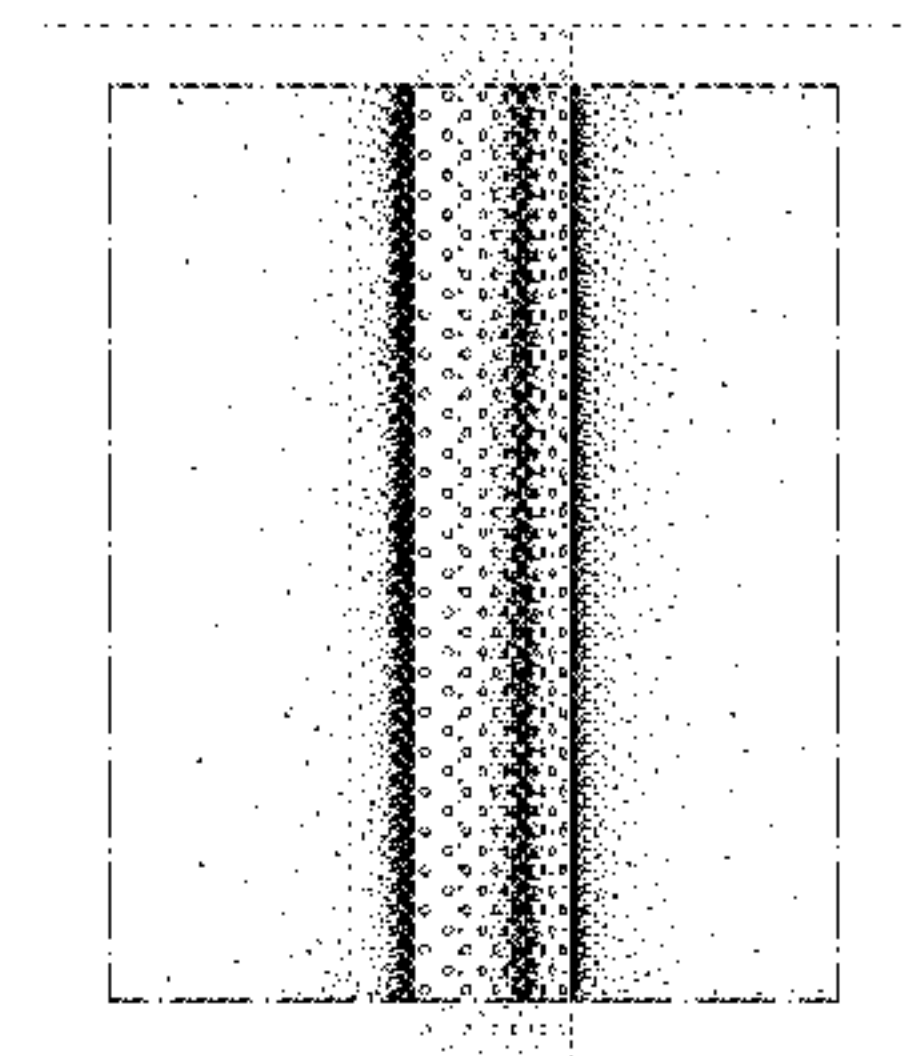
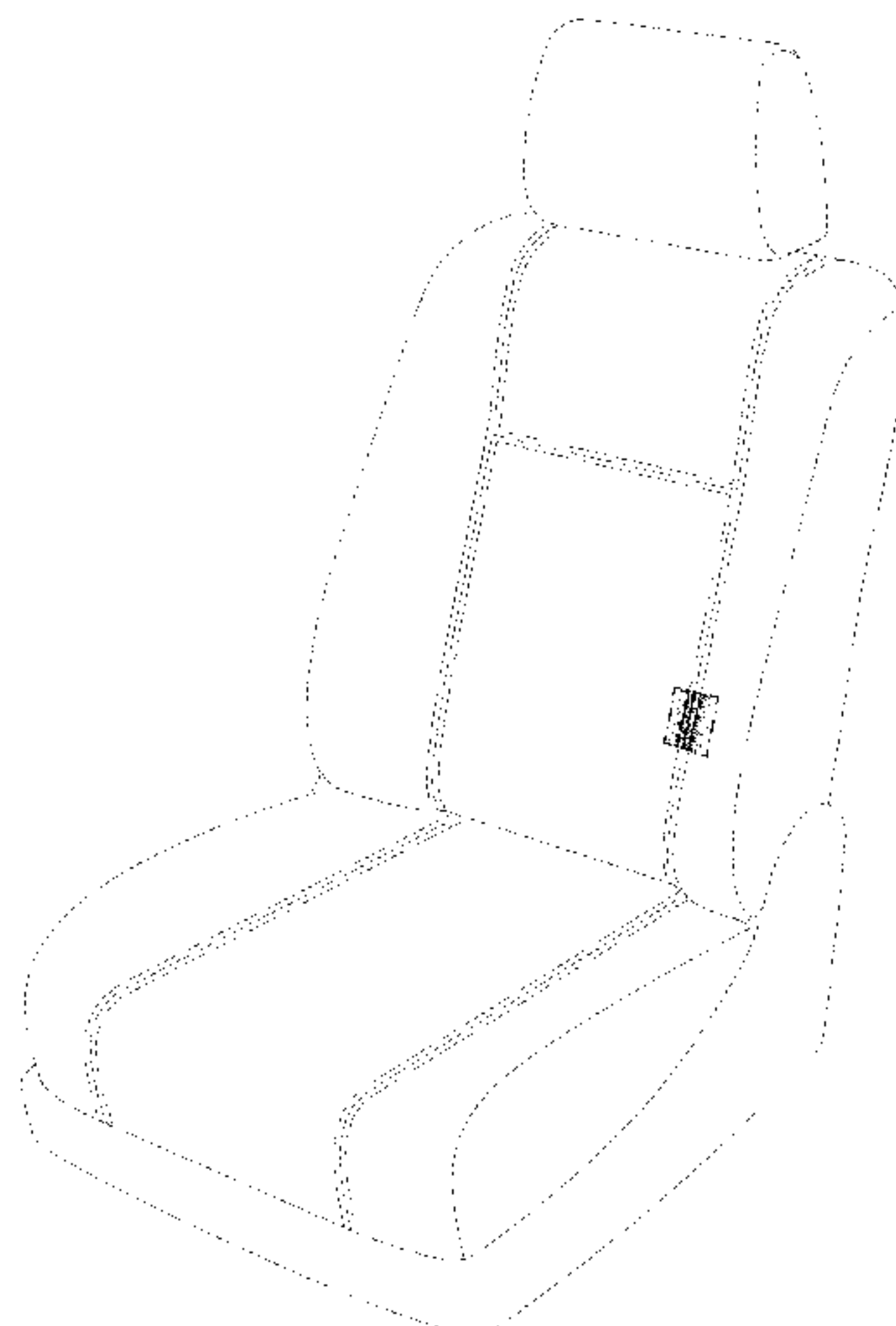
**DESCRIPTION**

FIG. 1 is a front, top and right side perspective view of a vehicle seat showing my new design;  
FIG. 2 is a front elevational view thereof;  
FIG. 3 is a rear elevational view thereof;  
FIG. 4 is a top plan view thereof;  
FIG. 5 is a bottom plan view thereof; and  
FIG. 6 is a left side elevational view thereof;  
FIG. 7 is a right side elevational view thereof;  
FIG. 8 is a cross-sectional view taken long 8-8 in FIG. 2;  
FIG. 9 is enlarged view of FIG. 8; and,  
FIG. 10 is enlarged view of FIG. 2.

The dashed-dot-dashed lines represent the boundary lines of the claimed design and form no part thereof.

The broken lines shown in the drawings represent portions of the vehicle seat that form no part of the claimed design.

**1 Claim, 8 Drawing Sheets**



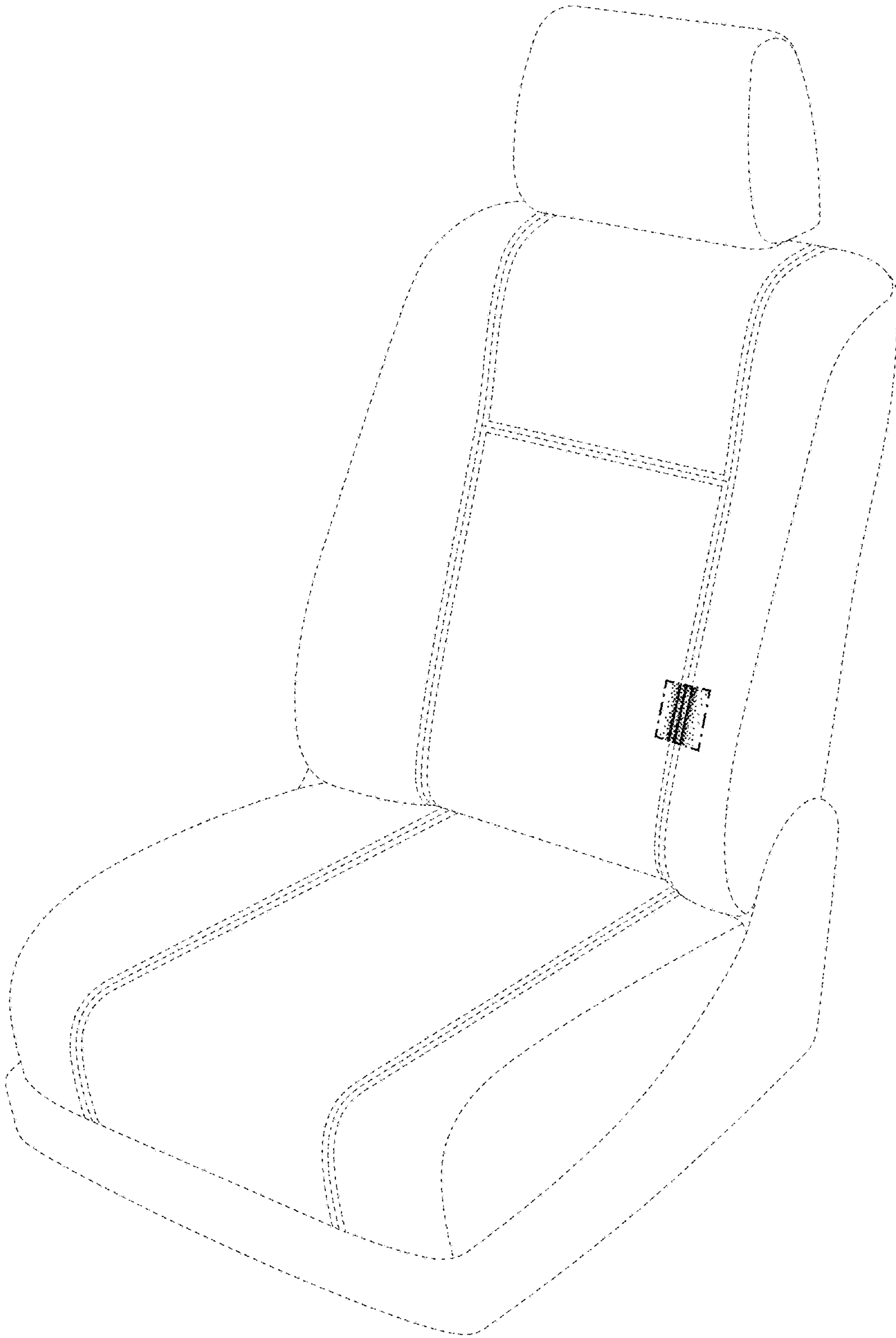
(56)

**References Cited**

U.S. PATENT DOCUMENTS

D776,969 S \* 1/2017 Ishii ..... D6/356  
2017/0327017 A1 \* 11/2017 Nagasawa ..... B60N 2/60

\* cited by examiner



**FIG. 1**

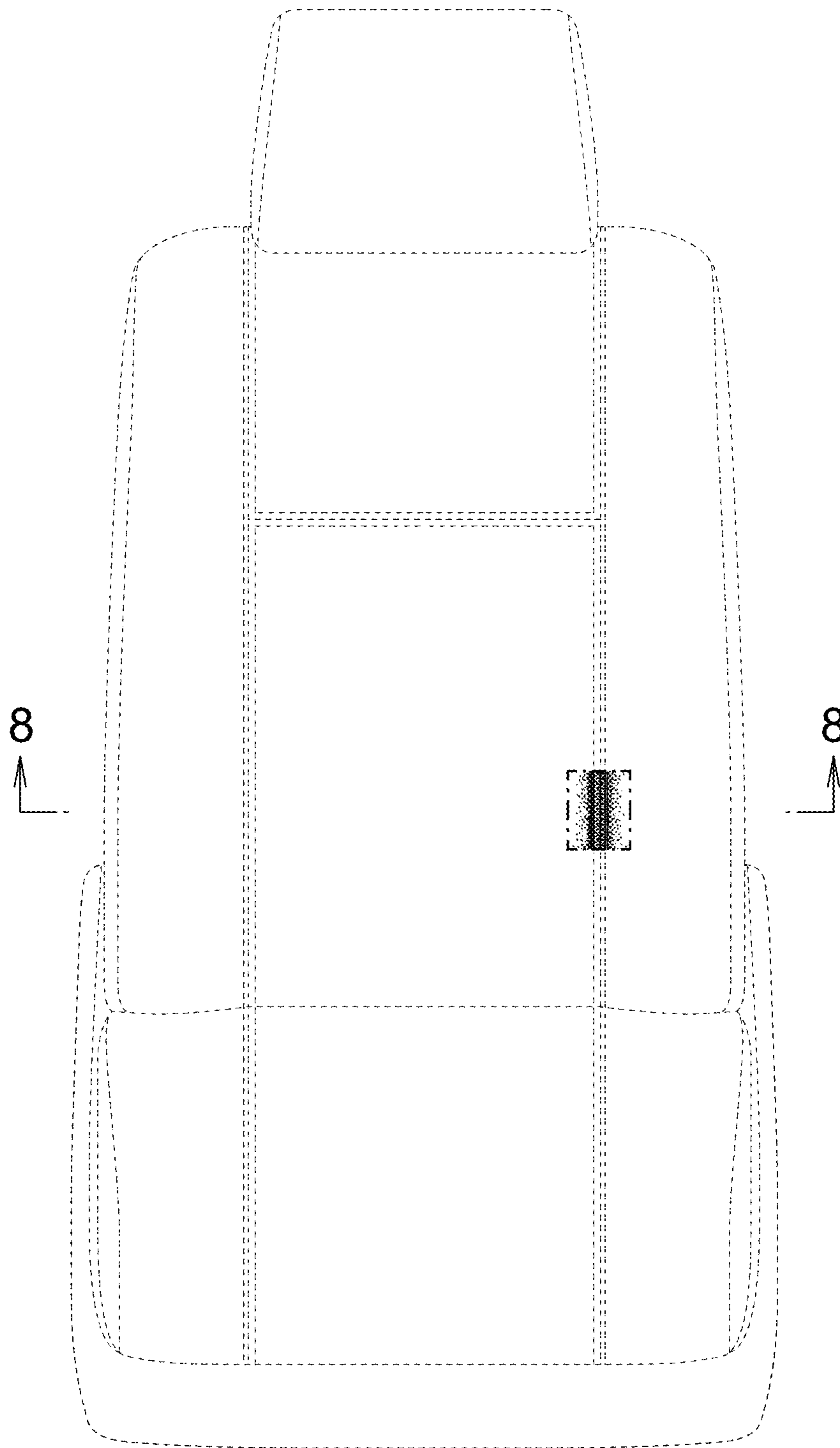
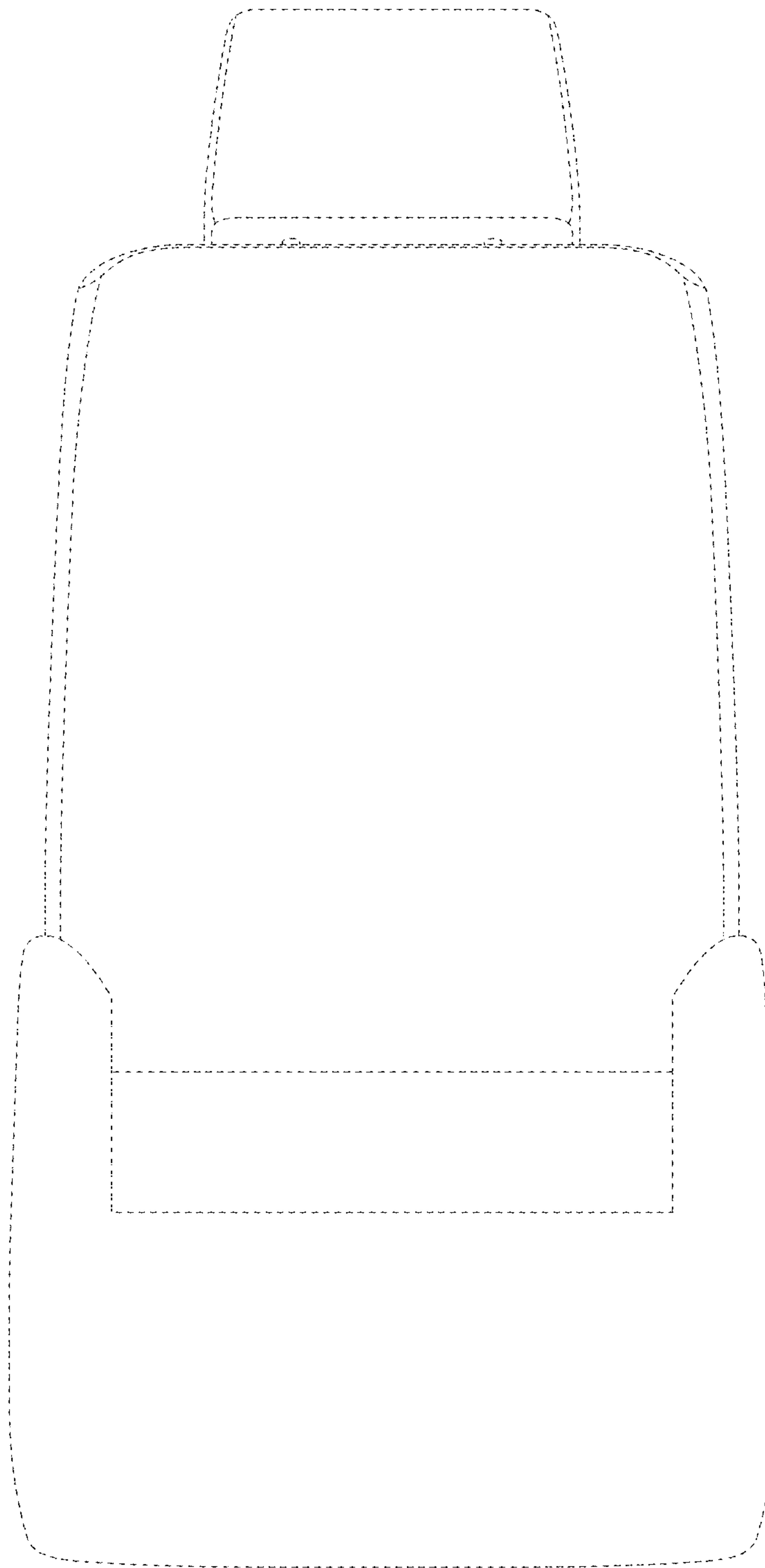
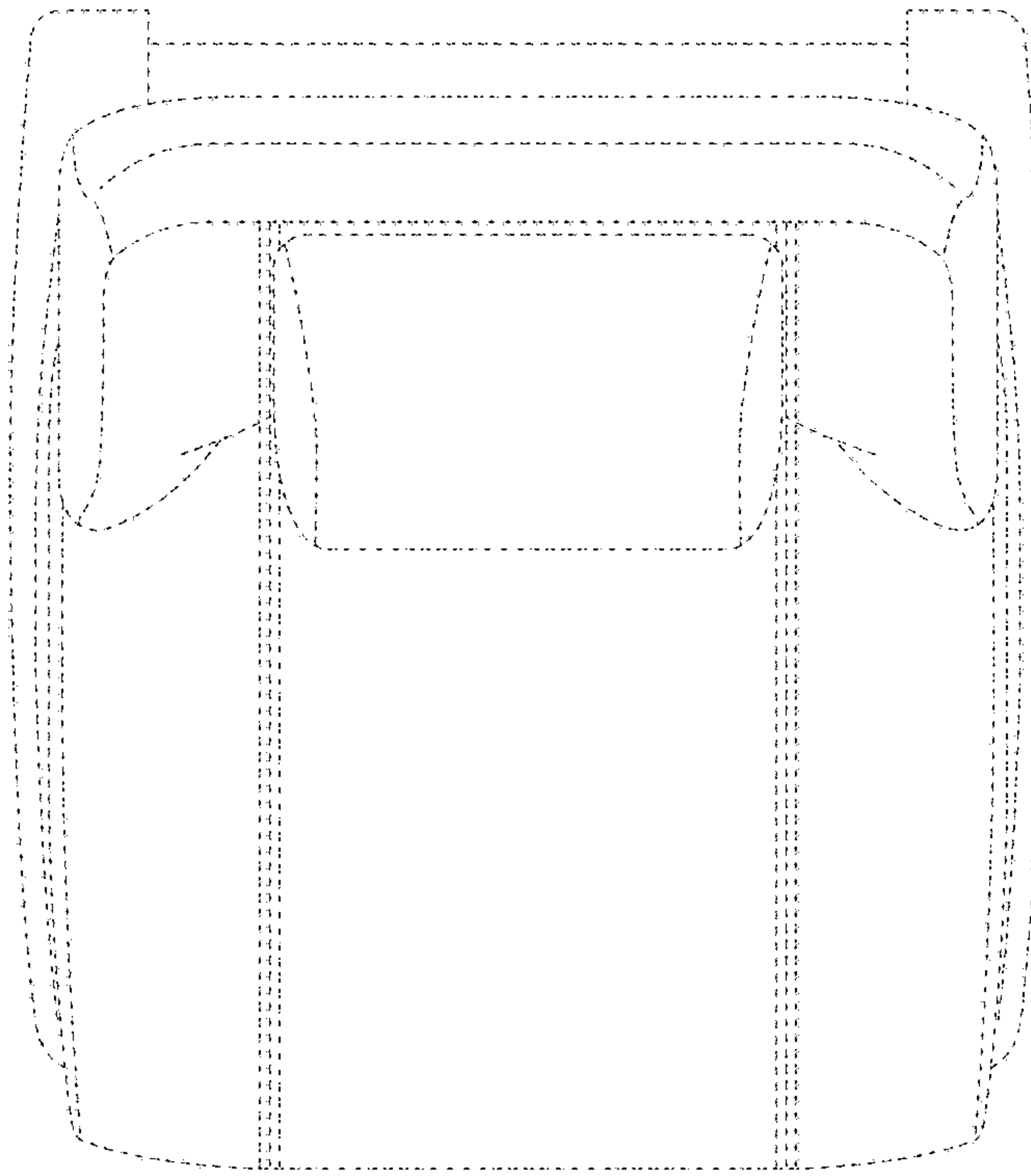


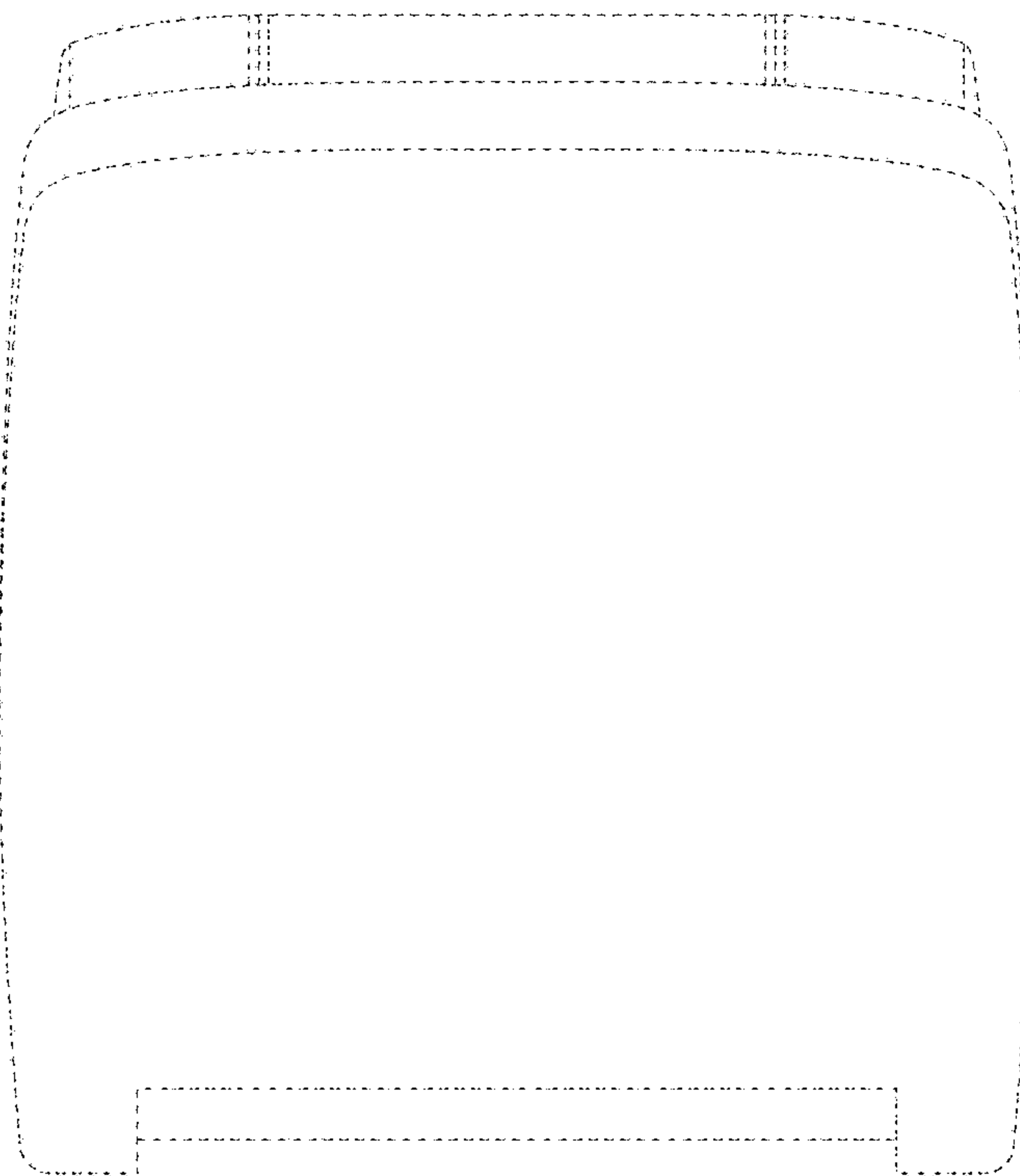
FIG. 2



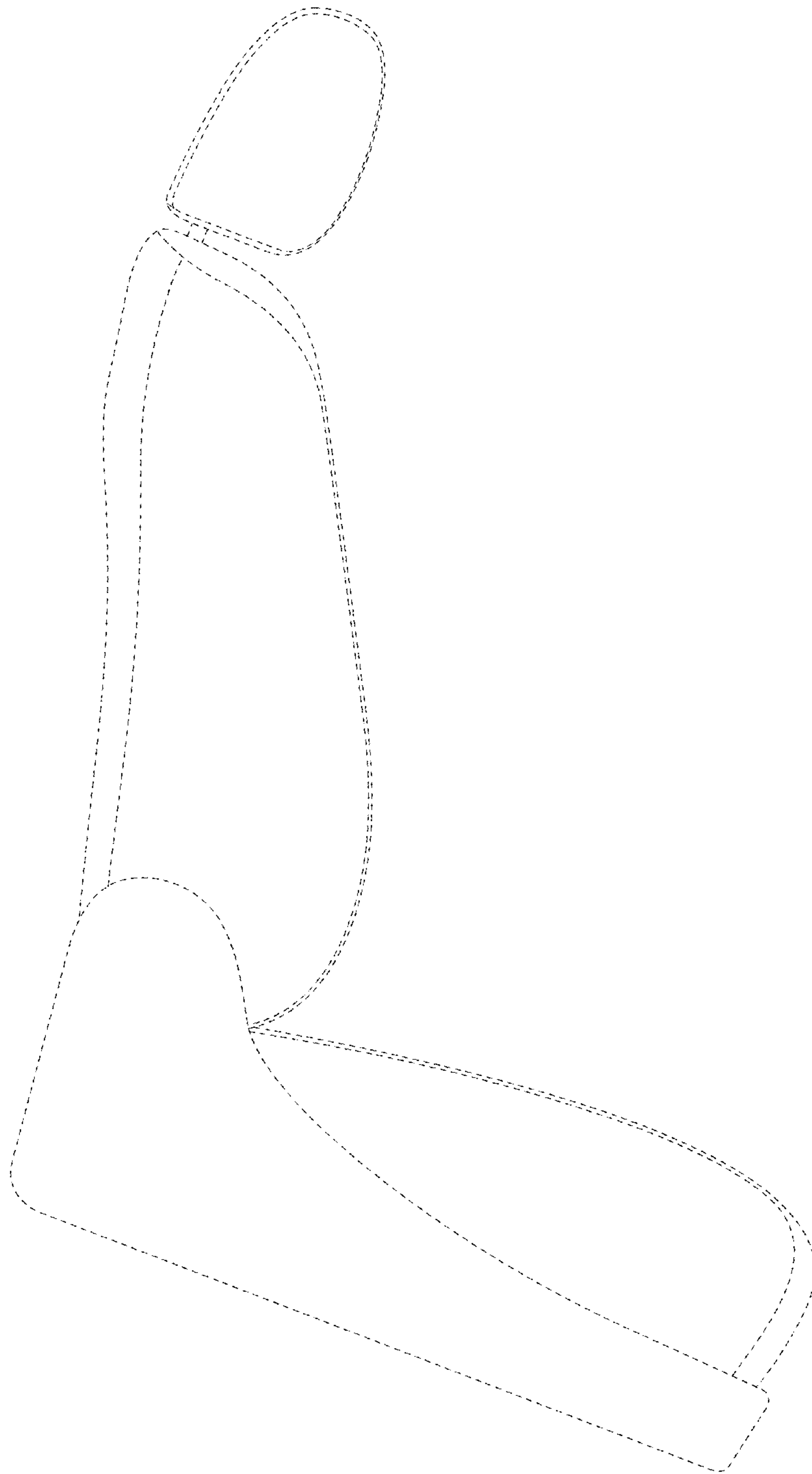
**FIG. 3**



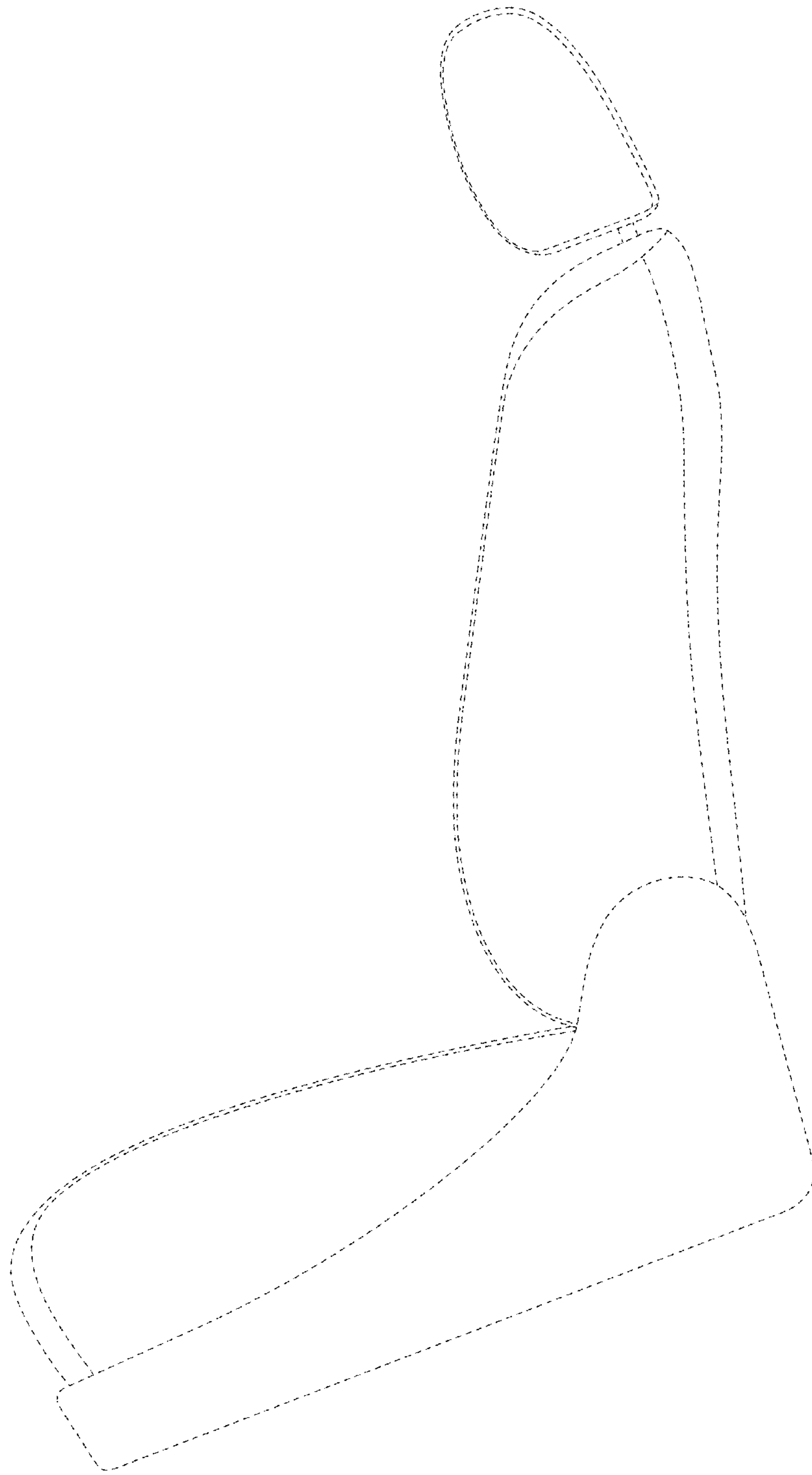
*FIG. 4*



*FIG. 5*



**FIG. 6**



**FIG. 7**



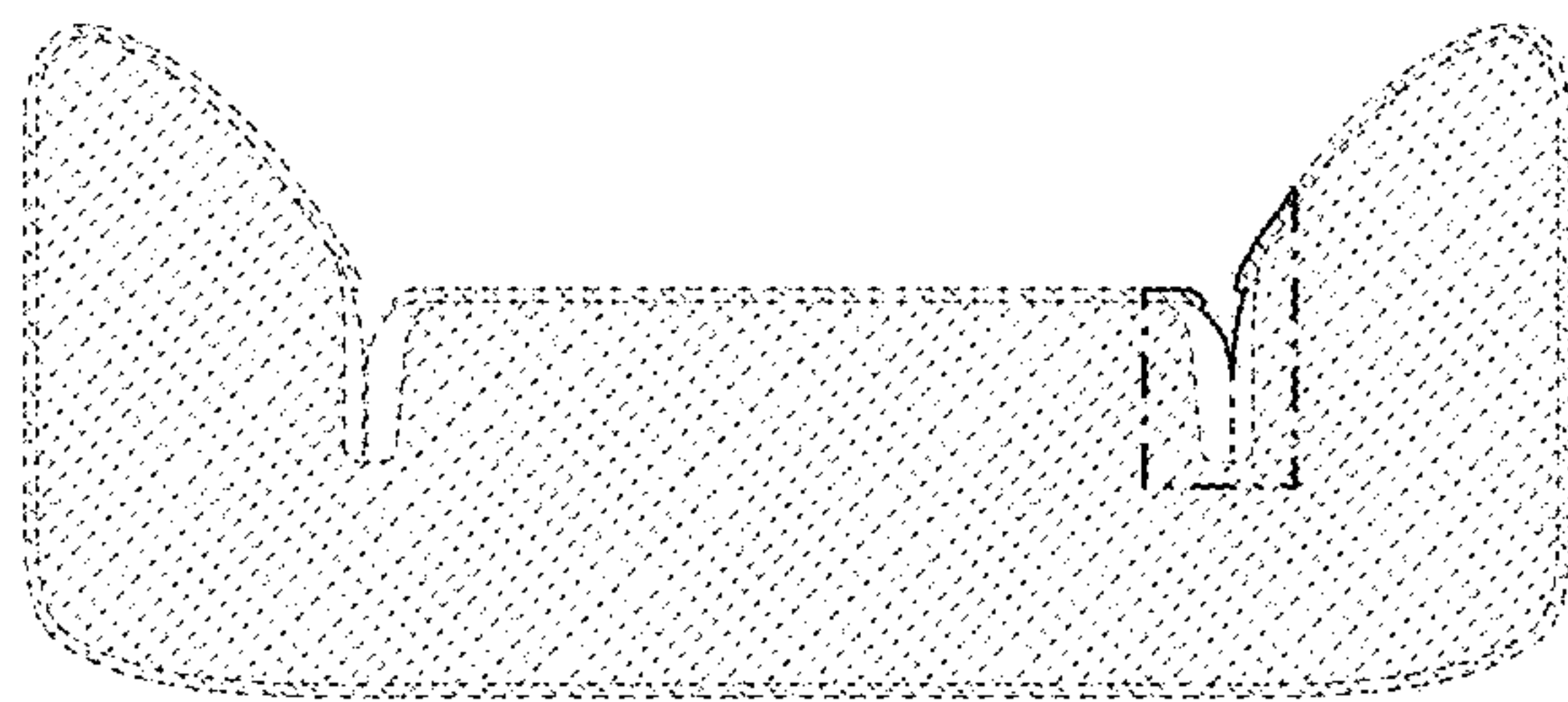


FIG. 8

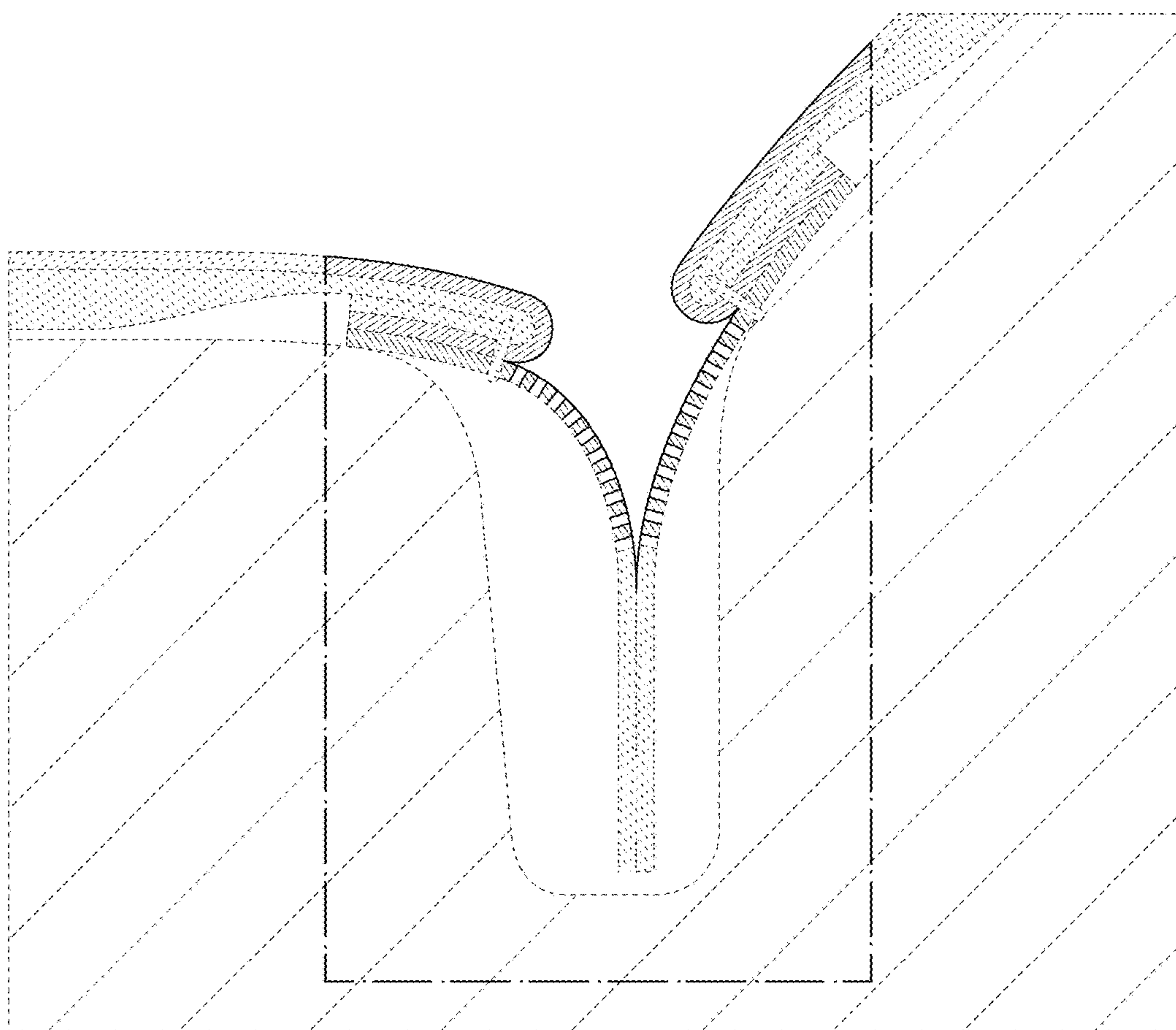
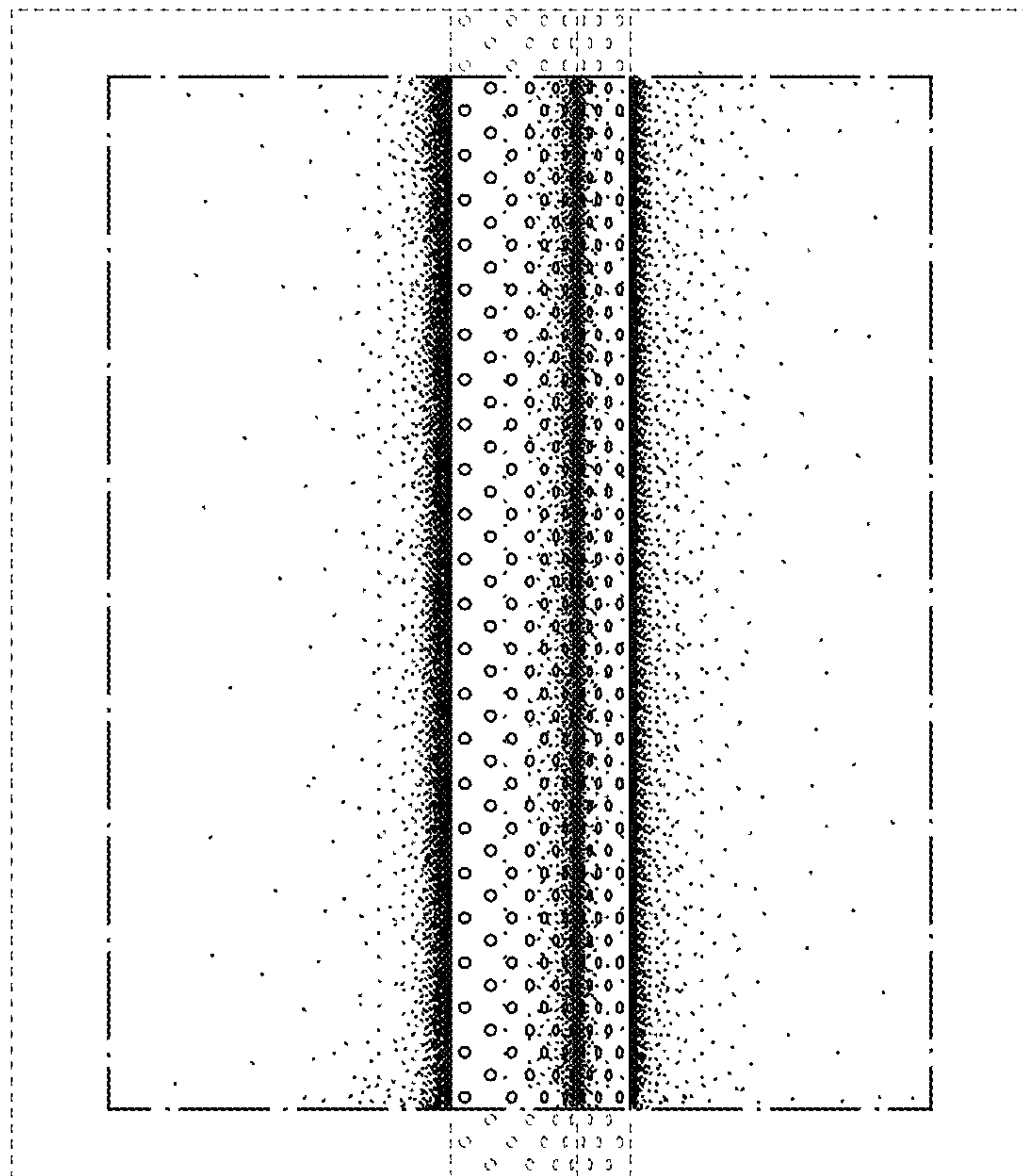


FIG. 9



*FIG. 10*