

US00D856681S

(12) **United States Design Patent**
Drew et al.

(10) **Patent No.:** **US D856,681 S**

(45) **Date of Patent:** **** Aug. 20, 2019**

(54) **BACKPACK STRAP**

D383,305 S * 9/1997 Holstrom D3/216
6,318,612 B1 11/2001 MacNeil
6,431,315 B1 8/2002 Lewis

(Continued)

(71) Applicant: **Target Brands, Inc.**, Minneapolis, MN (US)

Primary Examiner — Susan Bennett Hattan

(72) Inventors: **Jason V. Drew**, Shorewood, MN (US);
Christopher E. Svensrud, Minneapolis, MN (US)

Assistant Examiner — Rebecca Tsehaye

(74) *Attorney, Agent, or Firm* — Leanne Taveggia Farrell;
Westman, Champlin & Koehler, P.A.

(73) Assignee: **Target Brands, Inc.**, Minneapolis, MN (US)

(57) **CLAIM**

The ornamental design for a backpack strap, as shown and described.

(**) Term: **15 Years**

DESCRIPTION

(21) Appl. No.: **29/604,564**

FIG. 1 is a perspective view of a first embodiment of a backpack strap with environment;

(22) Filed: **May 18, 2017**

FIG. 2 is a perspective view of an alternate position of the first embodiment with environment;

Related U.S. Application Data

(62) Division of application No. 29/523,801, filed on Apr. 14, 2015, now Pat. No. Des. 790,223.

FIG. 3 is an enlarged perspective view of FIG. 1 with a portion of environment removed;

(51) **LOC (12) Cl.** **03-01**

FIG. 4 is a left side view of FIG. 3;

(52) **U.S. Cl.**

FIG. 5 is a right side view of FIG. 3;

USPC **D3/327**

FIG. 6 is a front view of FIG. 3;

(58) **Field of Classification Search**

USPC D3/301, 318, 327, 213–217; D30/153;
224/101, 153, 578, 604–607, 616–618,
224/627

FIG. 7 is a back view of FIG. 3;

CPC A45C 13/18; A45C 13/30; B63C 11/30;
A45F 3/04; A45F 3/047; A45F 3/042

FIG. 8 is a top view of FIG. 3;

See application file for complete search history.

FIG. 9 is a bottom view of FIG. 3;

(56) **References Cited**

U.S. PATENT DOCUMENTS

3,549,064 A 12/1970 Wilson
4,066,195 A 1/1978 Dickler
4,982,885 A 1/1991 Severson et al.
5,458,267 A 10/1995 Curtis et al.
5,632,429 A * 5/1997 Cantwell A45C 13/30
224/264

FIG. 10 is a perspective view of a second embodiment of a backpack strap with environment;

FIG. 11 is a perspective view of an alternate position of the second embodiment with environment;

FIG. 12 is an enlarged perspective view of FIG. 10 with a portion of environment removed;

FIG. 13 is a left side view of FIG. 12;

FIG. 14 is a right side view of FIG. 12;

FIG. 15 is a front view of FIG. 12;

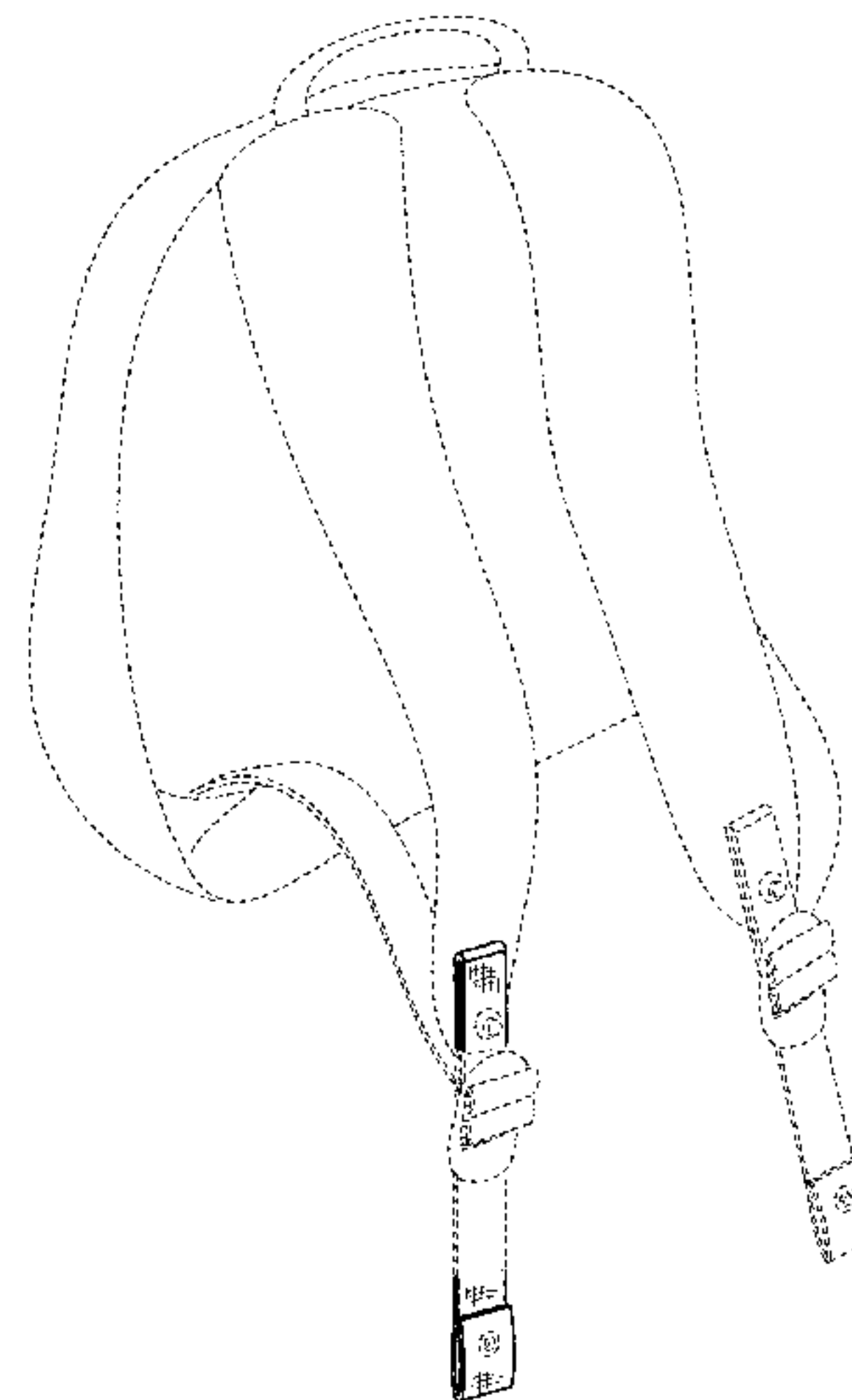
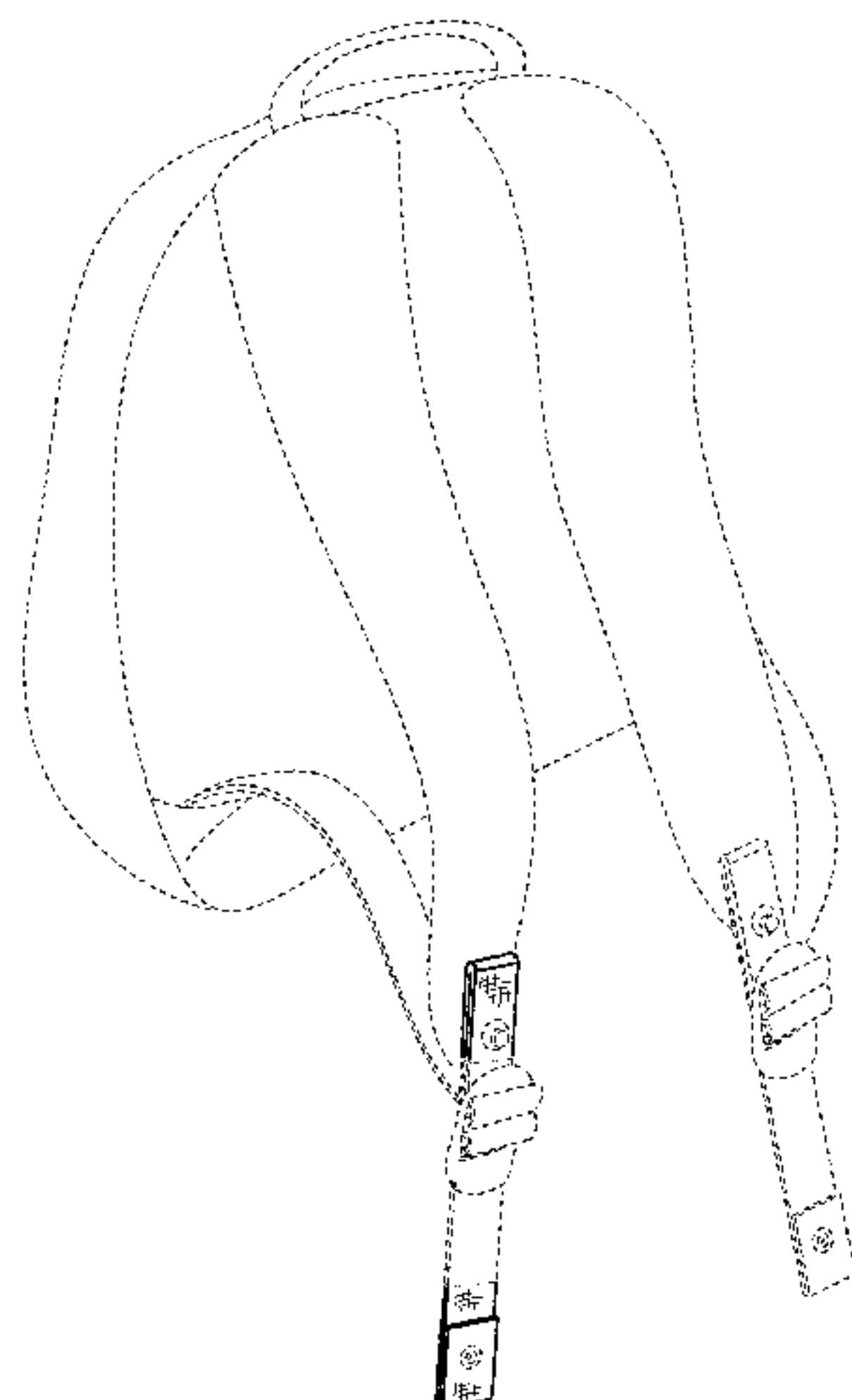
FIG. 16 is a back view of FIG. 12;

FIG. 17 is a top view of FIG. 12; and,

FIG. 18 is a bottom view of FIG. 12.

The broken lines in the drawings depict portions of the backpack strap that form no part of the claimed design.

1 Claim, 14 Drawing Sheets



(56)

References Cited

U.S. PATENT DOCUMENTS

| | | | | |
|--------------|------|---------|--------------------|------------------------|
| D462,523 | S * | 9/2002 | Kalbach | D3/327 |
| 6,557,218 | B2 | 5/2003 | Kipperman | |
| 6,592,012 | B2 * | 7/2003 | Godshaw | A45F 3/04 190/115 |
| 6,779,201 | B1 | 8/2004 | Pfrommer | |
| D501,078 | S * | 1/2005 | Cabana | D29/101.3 |
| 7,195,529 | B1 | 3/2007 | Crandall | |
| D576,789 | S | 9/2008 | Mayer | |
| 7,465,125 | B1 | 12/2008 | Carmichael | |
| 7,574,750 | B2 * | 8/2009 | Harris | A41B 13/005 2/69.5 |
| D632,887 | S * | 2/2011 | Jones | D3/214 |
| D635,761 | S * | 4/2011 | Hedaya | D3/216 |
| D669,257 | S * | 10/2012 | Hedaya | D3/216 |
| D699,405 | S * | 2/2014 | McKinnell | D30/152 |
| D745,263 | S * | 12/2015 | Tagle | D3/213 |
| D772,577 | S * | 11/2016 | Muchin | D3/327 |
| D774,769 | S | 12/2016 | Guthrie et al. | |
| D790,223 | S * | 6/2017 | Drew | D3/327 |
| D808,176 | S * | 1/2018 | Reid | D3/327 |
| 2004/0000570 | A1 | 1/2004 | Forsman | |
| 2005/0000470 | A1 * | 1/2005 | Fountoulakis | A01K 1/0272 119/769 |
| 2008/0127461 | A1 | 6/2008 | Linden et al. | |
| 2014/0131401 | A1 | 5/2014 | Workman | |

* cited by examiner

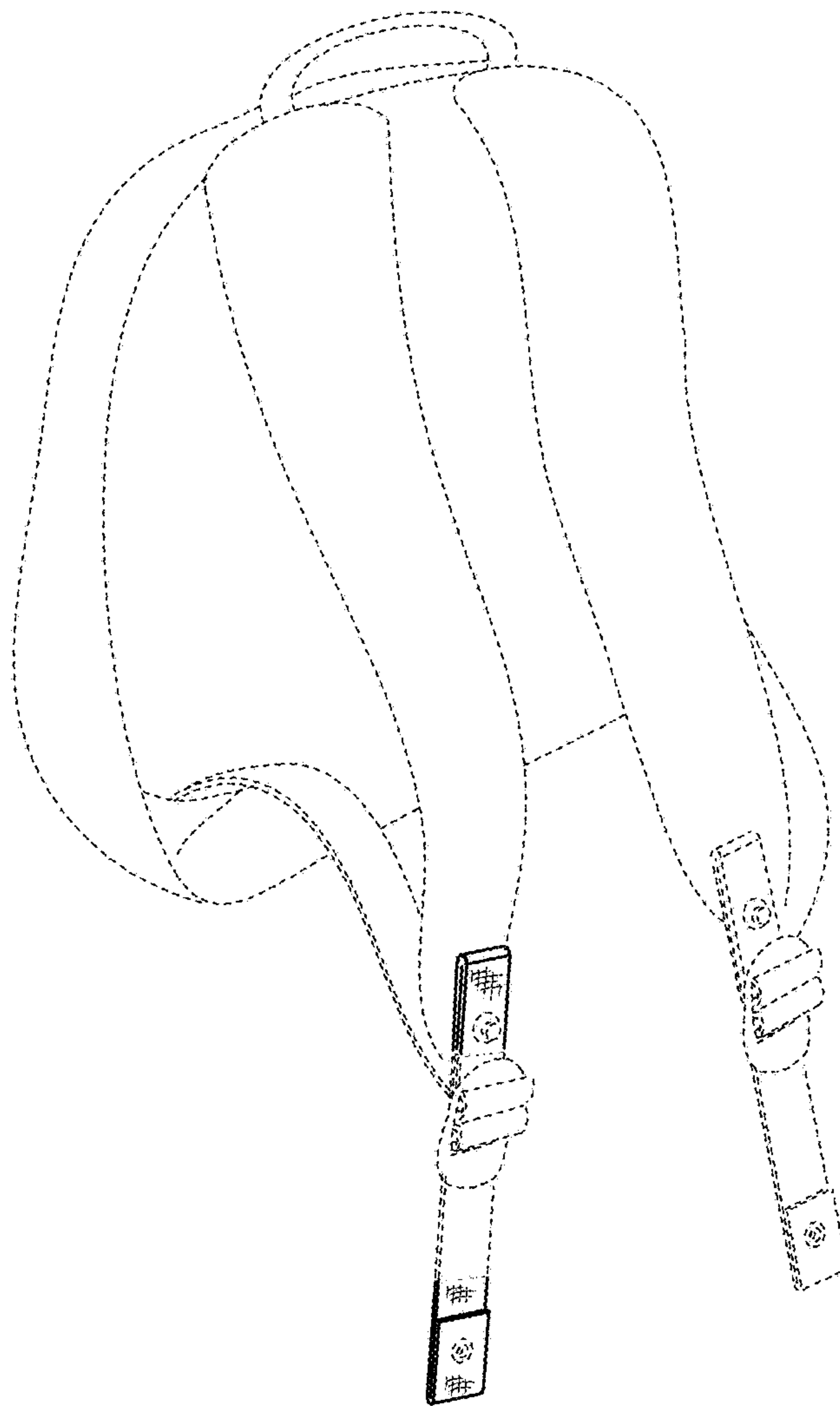


FIG. 1

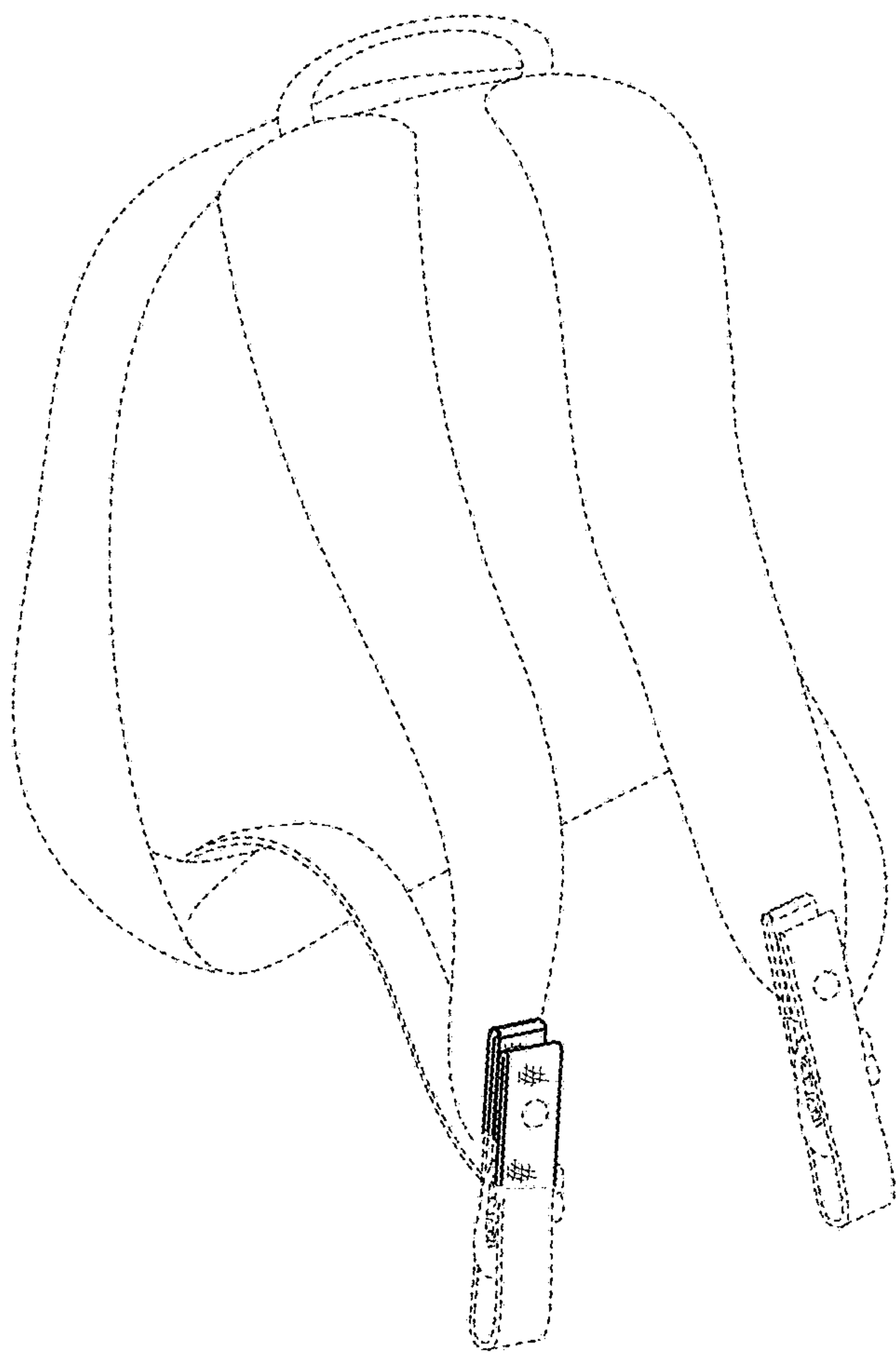


FIG. 2

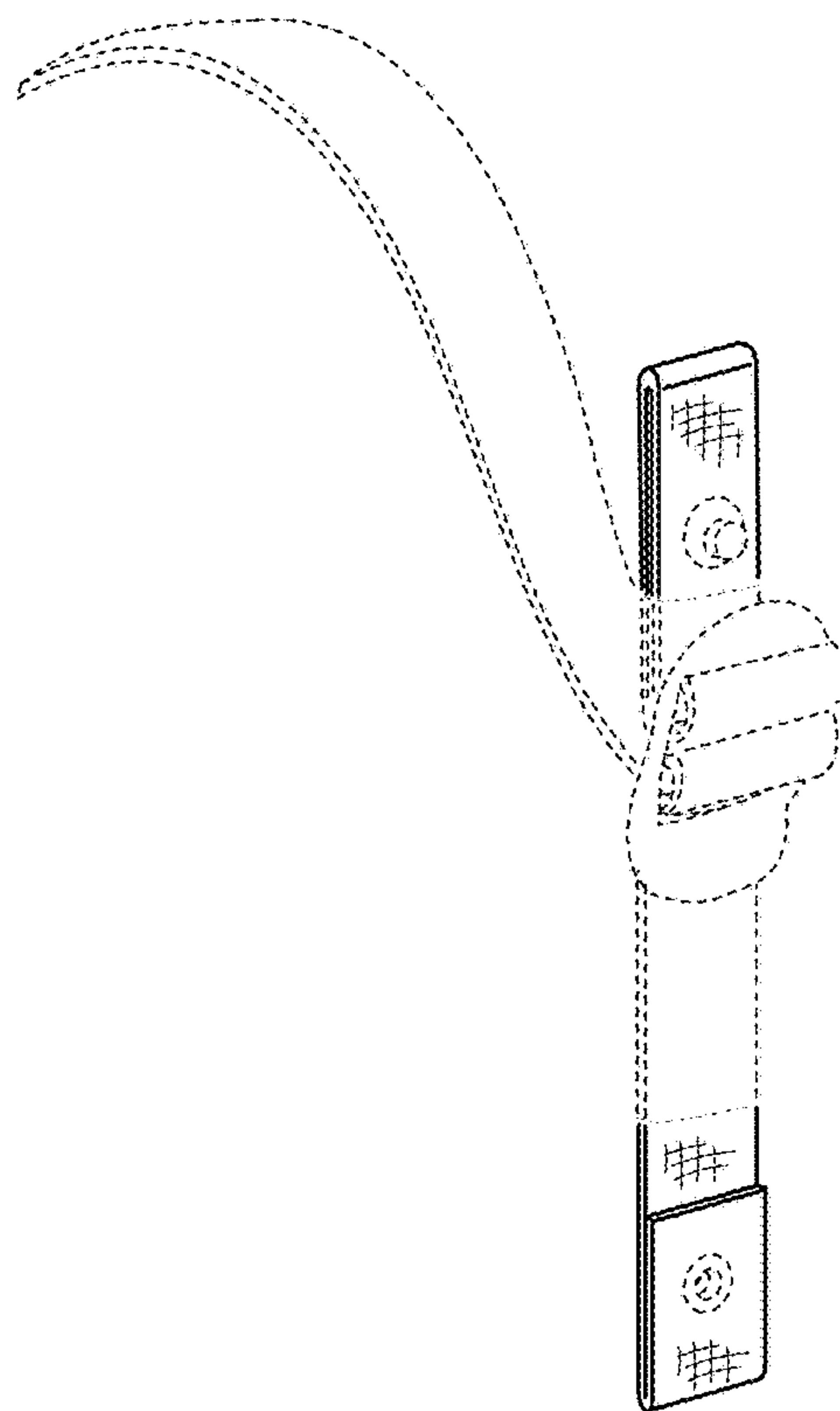


FIG. 3

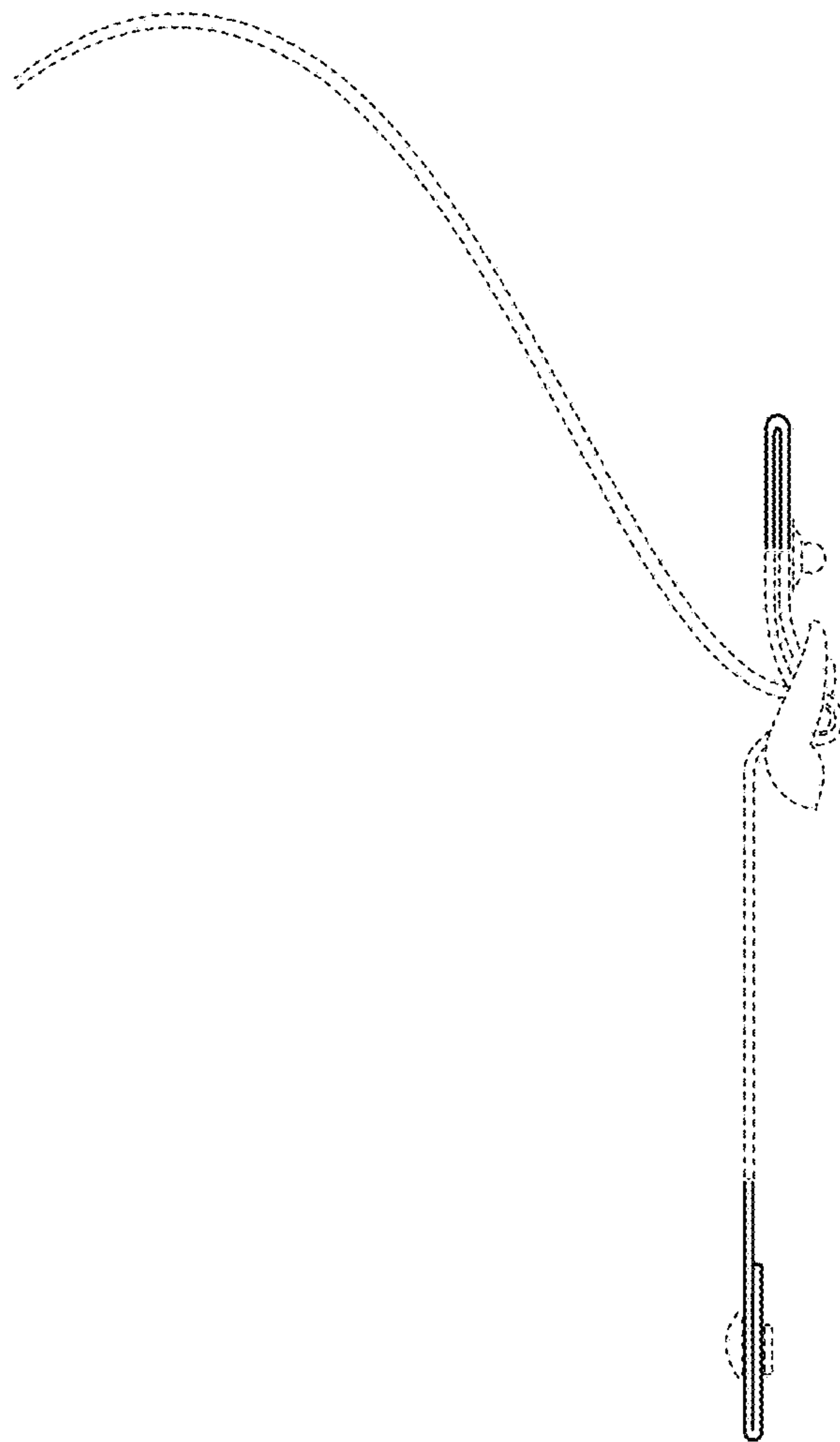


FIG. 4

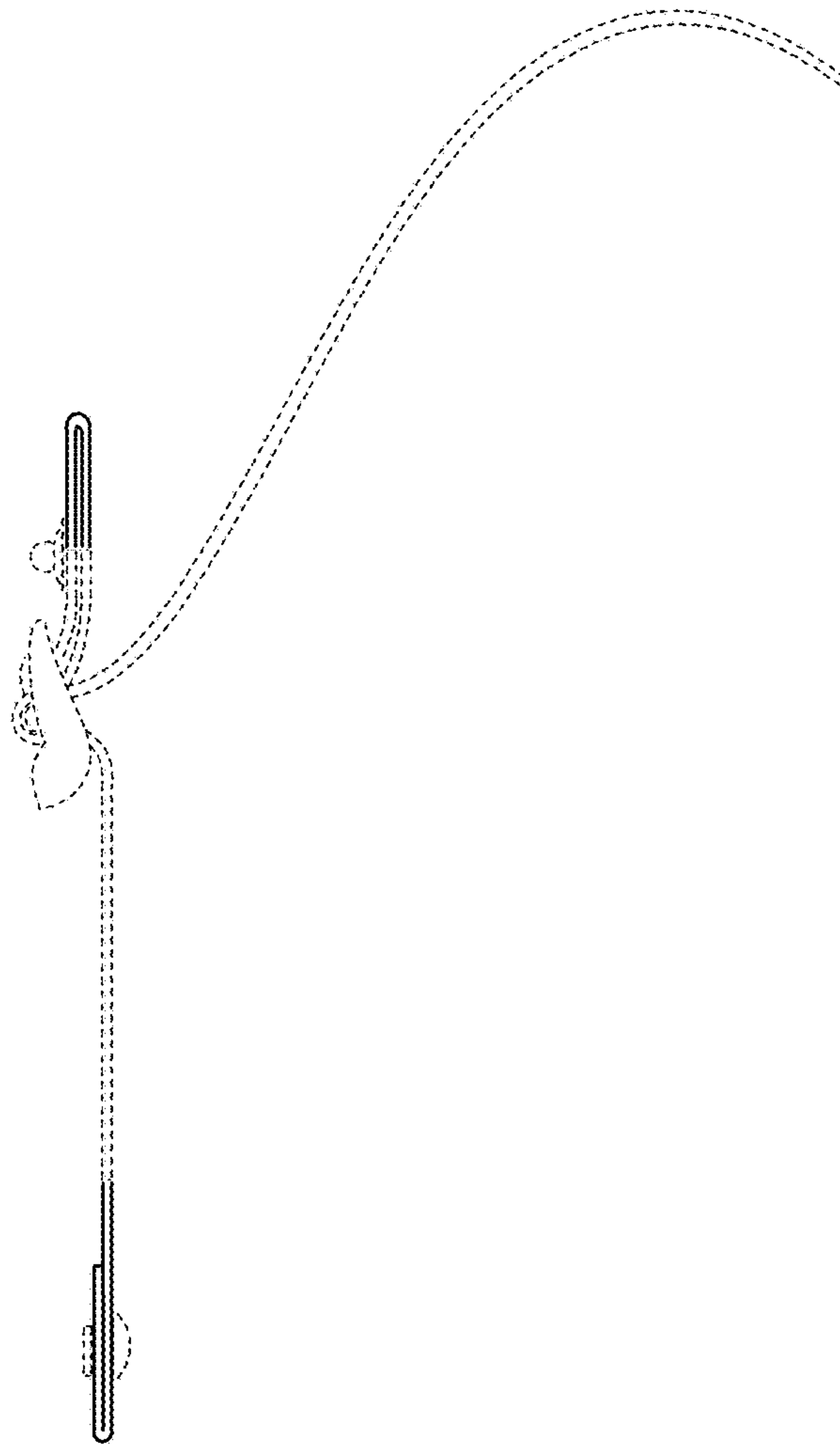


FIG. 5

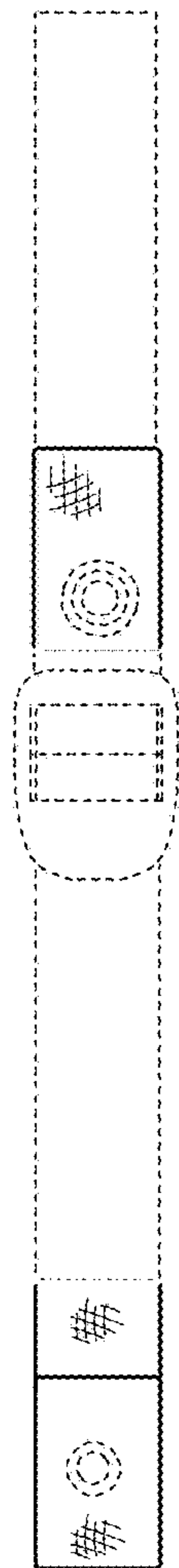


FIG. 6



FIG. 7

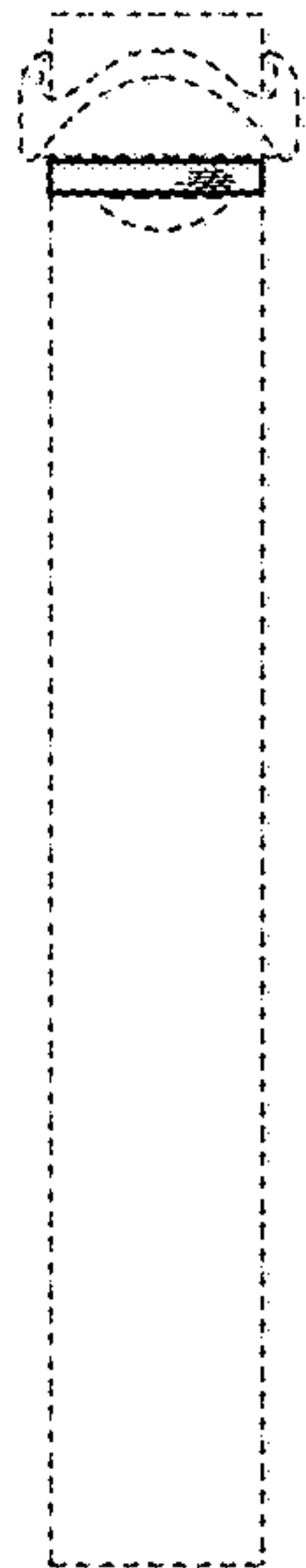


FIG. 8

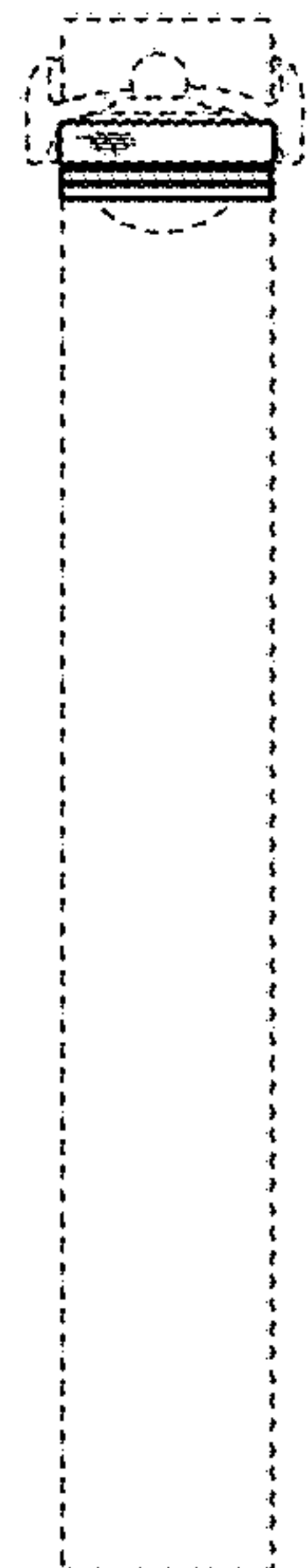


FIG. 9

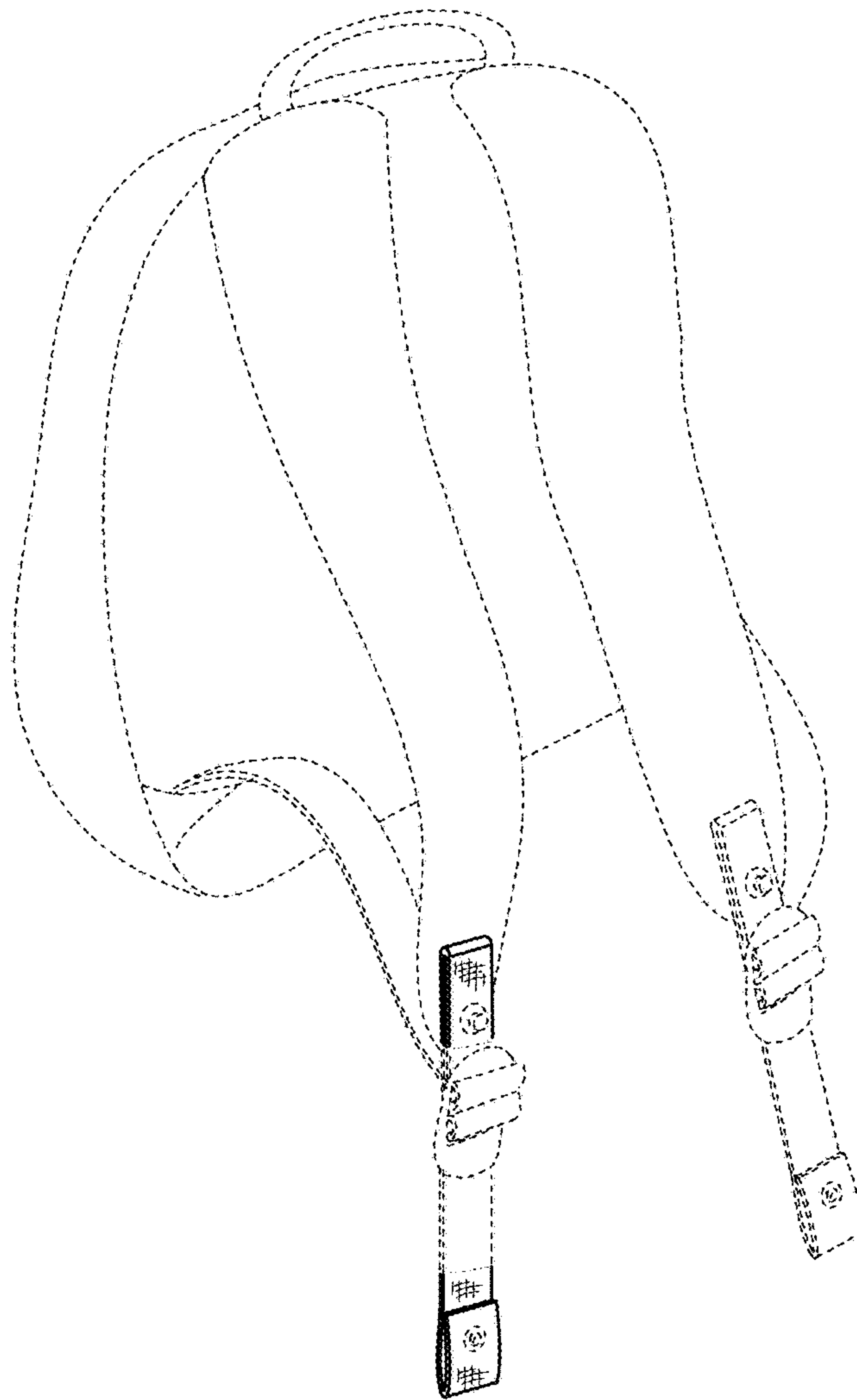


FIG. 10

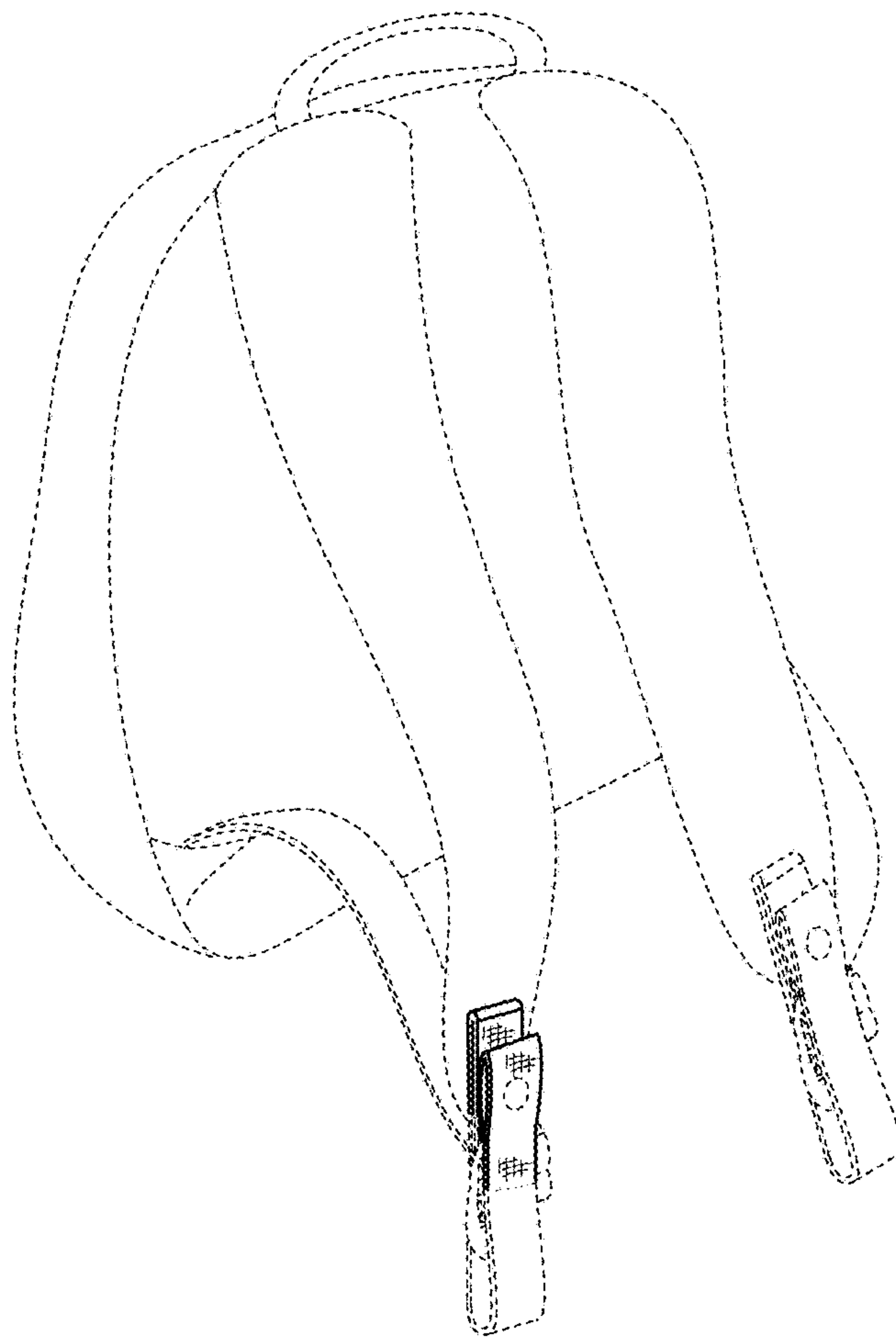


FIG. 11

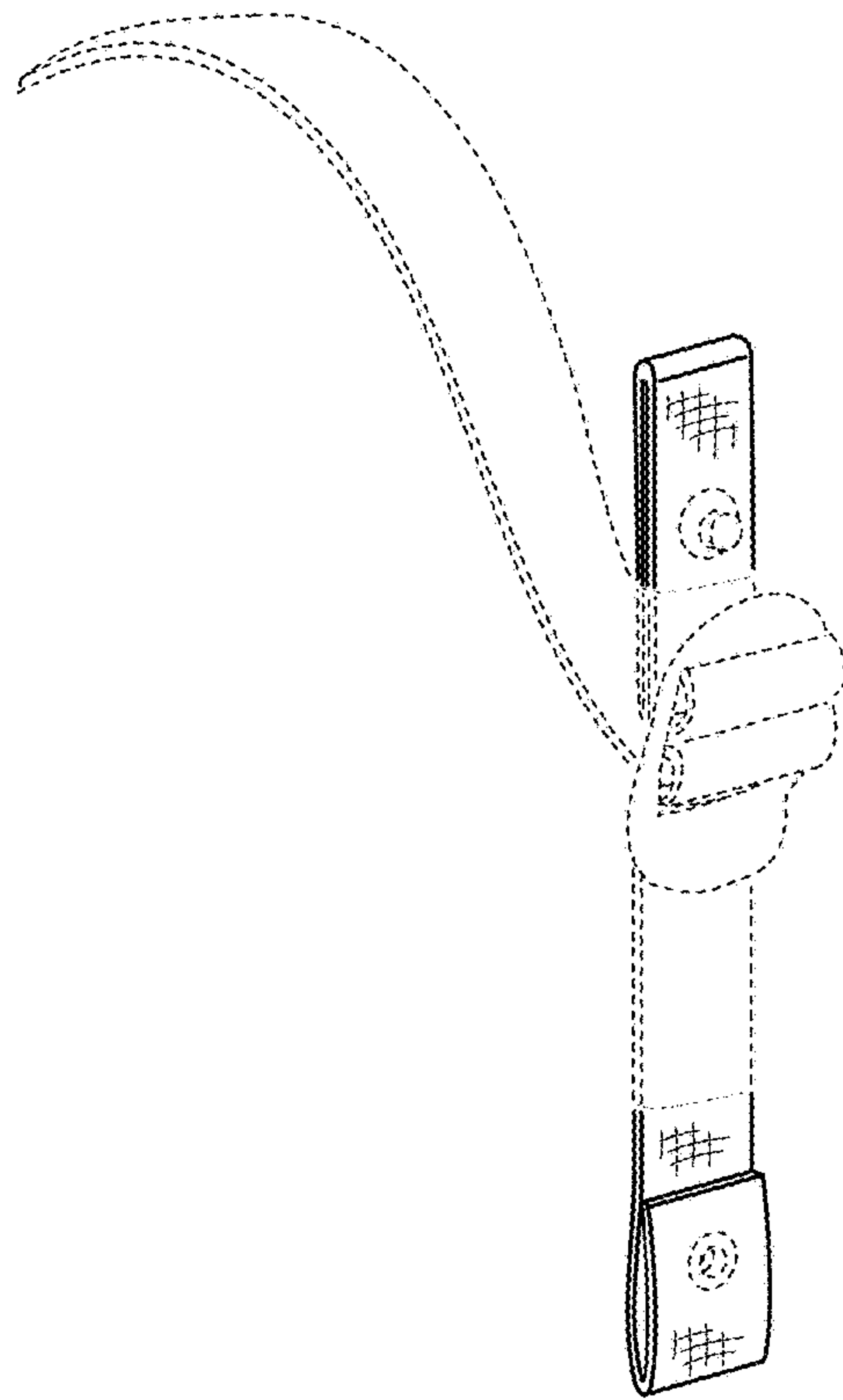


FIG. 12

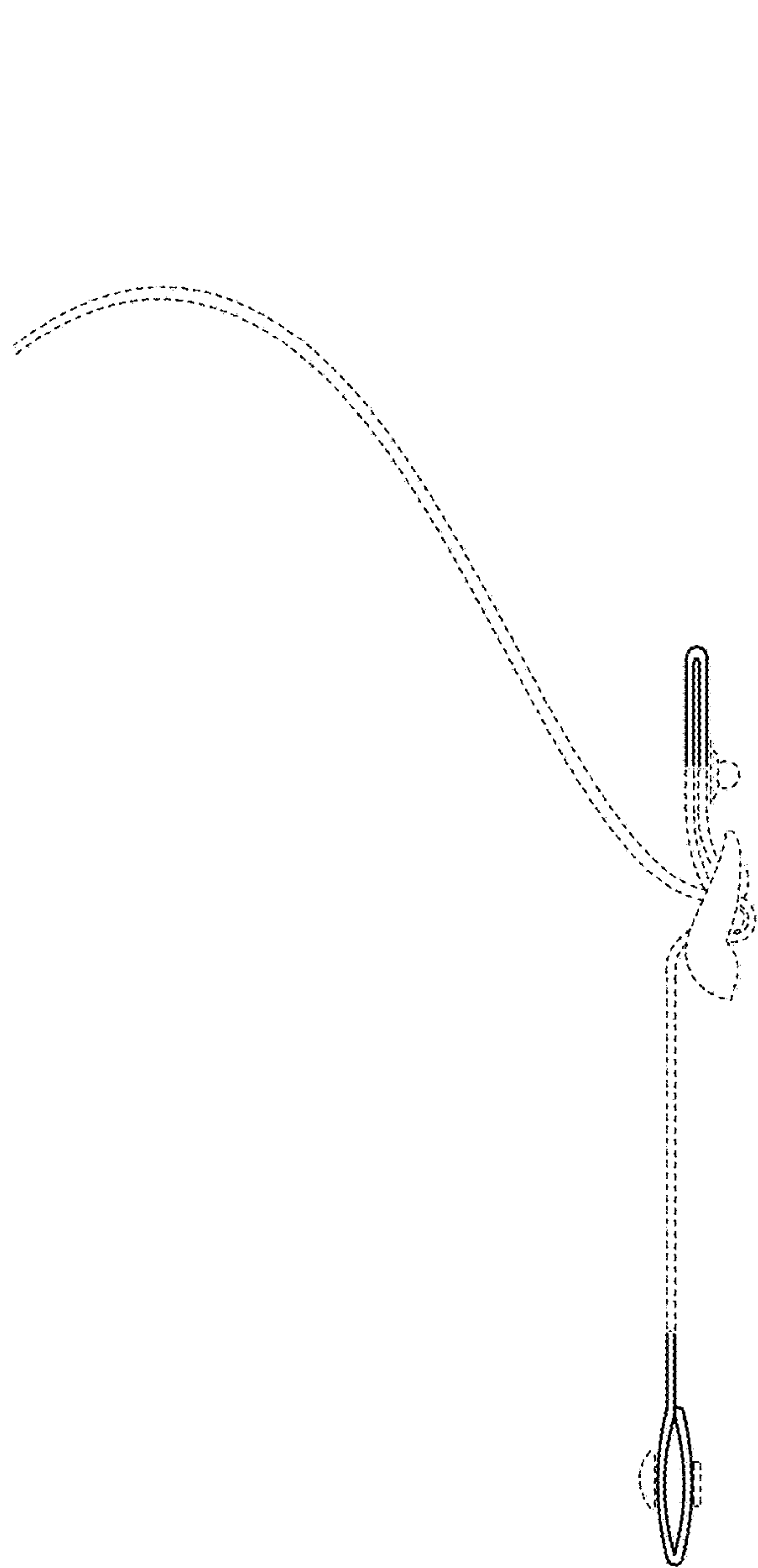


FIG. 13

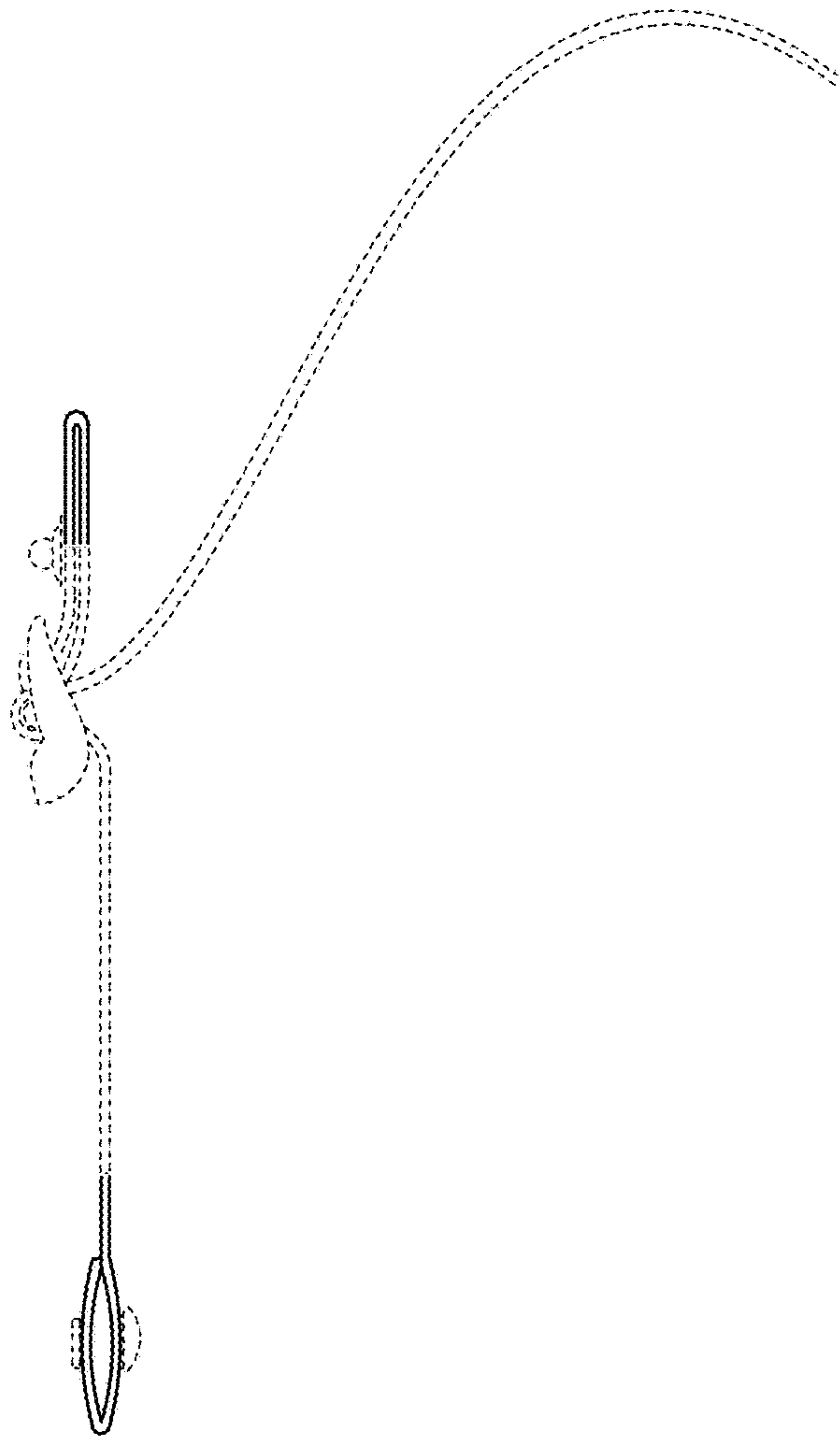


FIG. 14

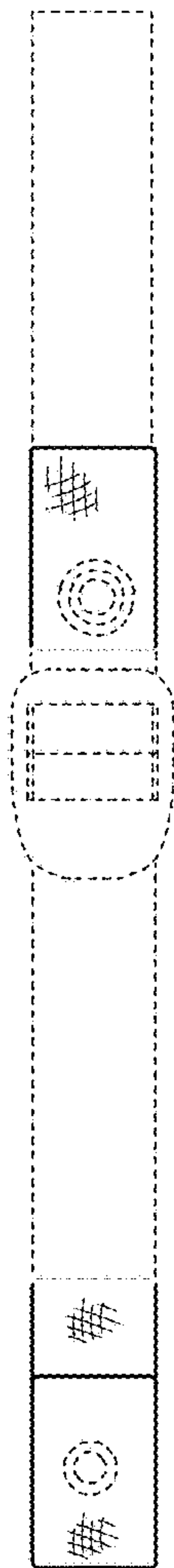


FIG. 15

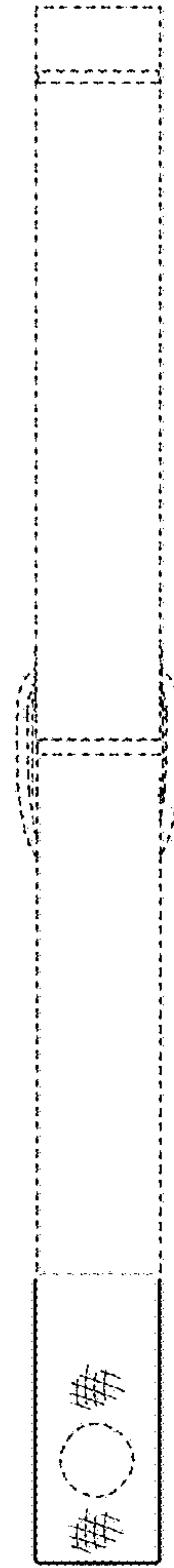


FIG. 16

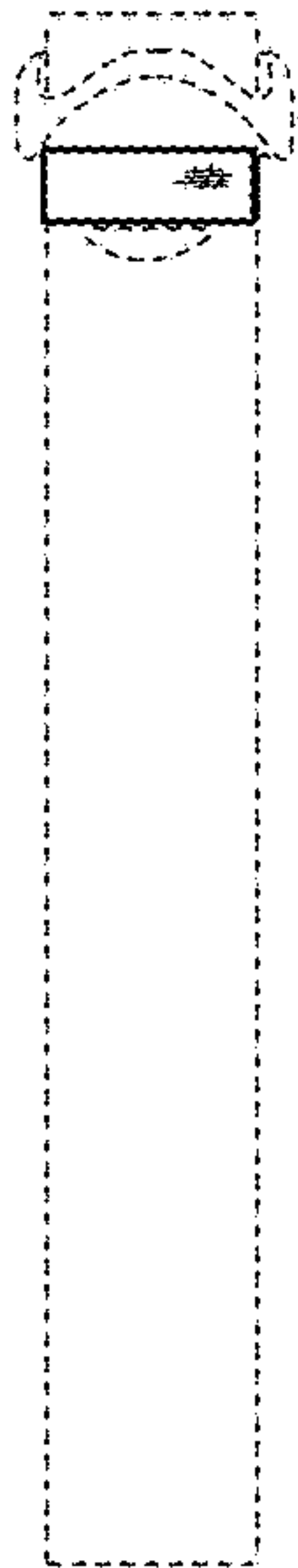


FIG. 17

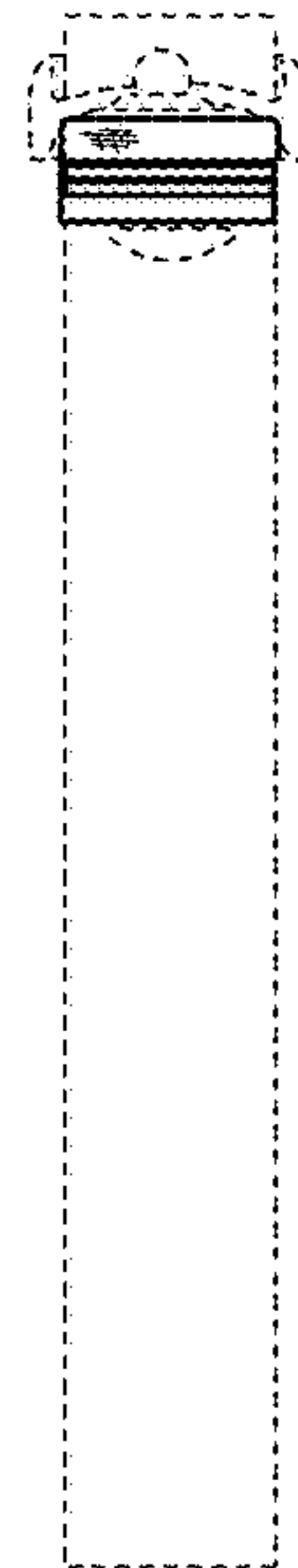


FIG. 18