



US00D856680S

(12) **United States Design Patent** (10) **Patent No.:** **US D856,680 S**
Acosta Favati (45) **Date of Patent:** **** Aug. 20, 2019**

(54) **LUGGAGE PROTECTIVE COVER**

(71) Applicant: **Eduardo Acosta Favati**, Montevideo (UY)

(72) Inventor: **Eduardo Acosta Favati**, Montevideo (UY)

(**) Term: **15 Years**

(21) Appl. No.: **29/653,050**

(22) Filed: **Jun. 12, 2018**

(51) **LOC (12) Cl.** **03-01**

(52) **U.S. Cl.**
USPC **D3/318**

(58) **Field of Classification Search**
USPC **D3/318**

(Continued)

(56) **References Cited**

U.S. PATENT DOCUMENTS

2,711,234 A 6/1955 Rubens
3,314,464 A * 4/1967 Veilleux B42D 3/045
150/154

(Continued)

FOREIGN PATENT DOCUMENTS

CN 103720173 A 4/2014
CN 205093758 U 3/2016

(Continued)

Primary Examiner — Holly H Baynham

(74) *Attorney, Agent, or Firm* — Høglund & Pámias, PSC; Roberto J. Rios

(57) **CLAIM**

The ornamental design for a luggage protective cover, as shown and described.

DESCRIPTION

FIG. 1 is a rear view of the luggage protective cover with the upper and lower tabs extended.

FIG. 2 is a front view of the luggage protective cover of FIG. 1 with the upper and lower tabs extended.

FIG. 3 is a top view of the luggage protective cover of FIG. 1 with the upper tab partially folded.

FIG. 4 is a bottom view of the luggage protective cover of FIG. 1 with the lower tab partially folded.

FIG. 5 is a left side view of the luggage protective cover of FIG. 1 with the upper and lower tabs folded.

FIG. 6 is a right side view of the luggage protective cover of FIG. 1 with the upper and lower tabs folded.

FIG. 7 is a rear side perspective view of the luggage protective cover of FIG. 1 with the rear wall partially folded and the upper and lower tabs extended.

FIG. 8 is a front side perspective view of the luggage protective cover of FIG. 1 with the rear wall partially folded and the upper and lower tabs extended.

FIG. 9 is another rear side perspective view of the luggage protective cover of FIG. 1 with the rear wall partially folded and the upper and lower tabs extended.

FIG. 10 is a rear view of the luggage protective cover of FIG. 1 with the rear wall partially folded and the upper and lower tabs extended.

FIG. 11 is a perspective view of the luggage protective cover of FIG. 1 with the rear wall partially folded, the upper tab folded partially folded and the lower tab extended.

FIG. 12 is a rear side perspective view of the luggage protective cover of FIG. 1 with the rear wall completely folded and the upper and lower tabs completely folded.

FIG. 13 is a rear view of the luggage protective cover of FIG. 1 with the rear wall completely folded and the upper and lower tabs completely folded.

FIG. 14 is a front view of the luggage protective cover of FIG. 1 with the rear wall completely folded and the upper and lower tabs completely folded.

FIG. 15 is a bottom view of the luggage protective cover of FIG. 1 with the rear wall completely folded and the upper and lower tabs completely folded.

FIG. 16 is a top view of the luggage protective cover of FIG. 1 with the rear wall completely folded and the upper and lower tabs completely folded.

FIG. 17 is a left side view of the luggage protective cover of FIG. 1 with the rear wall completely folded and the upper and lower tabs completely folded; and,

(Continued)

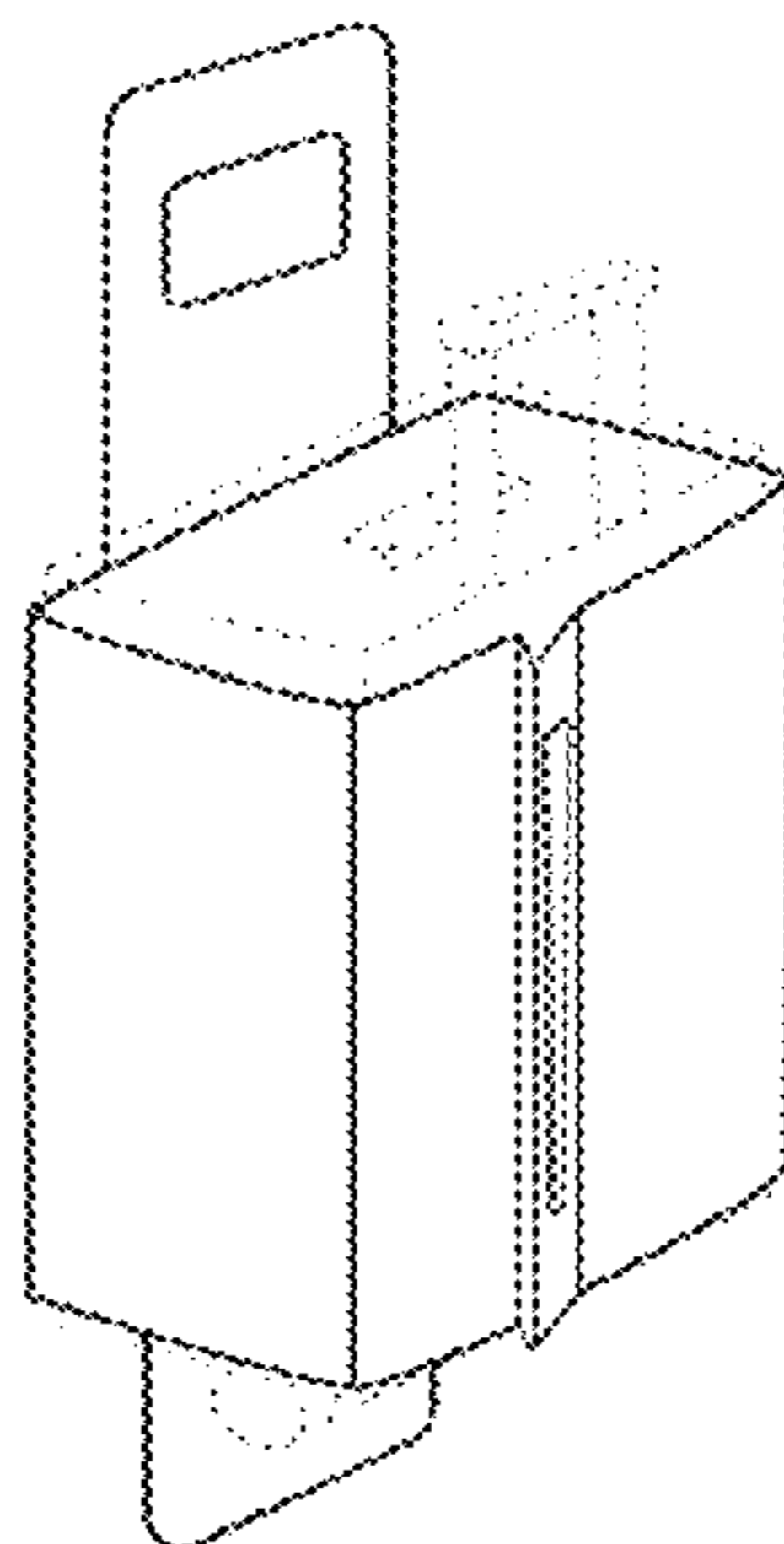


FIG. 18 is a right side view of the luggage protective cover of FIG. 1 with the rear wall completely folded and the upper and lower tabs completely folded.
The broken lines are for the purpose of illustrating the environment of the design only and form no part of the claimed design.

1 Claim, 11 Drawing Sheets

(58) **Field of Classification Search**

CPC A45C 13/00; A45C 13/38; A45C 5/14;
A45C 13/385; A45C 13/42; A45C 13/18
See application file for complete search history.

(56) **References Cited**

U.S. PATENT DOCUMENTS

D316,483 S 4/1991 Haack
5,293,975 A * 3/1994 Howorka A45C 13/002
150/105
D373,249 S * 9/1996 Richardson D3/318
D458,451 S * 6/2002 Lusk D3/318
D513,879 S 1/2006 Waples
7,441,641 B2 10/2008 Beakey
7,458,452 B2 12/2008 Beakey

D641,168 S 7/2011 Sanchez
D660,000 S 5/2012 Peterson et al.
D667,222 S 9/2012 Sanchez
D667,635 S 9/2012 Sanchez
D696,516 S 12/2013 Caspi
D705,541 S 5/2014 Harris
D755,521 S 5/2016 Wei
10,159,322 B2 * 12/2018 Yu A45C 13/002
2006/0086444 A1 4/2006 Yu
2011/0259692 A1 10/2011 Warncke et al.
2016/0066669 A1 3/2016 Lien
2016/0331093 A1 11/2016 Licciardino

FOREIGN PATENT DOCUMENTS

CN 205390694 U 7/2016
CN 206006317 U 3/2017
ES 2304280 B1 7/2009
FR 2970626 A1 7/2012
GB 2253781 B 4/1993
JP 2017192572 A 10/2017
RU 149798 U1 1/2015
RU 167282 U1 12/2016
TW M361927 U 8/2009
TW M363829 U 9/2009
WO 2013037018 A1 3/2013
WO 2014005633 A1 1/2014
WO 2017061897 A1 4/2017

* cited by examiner

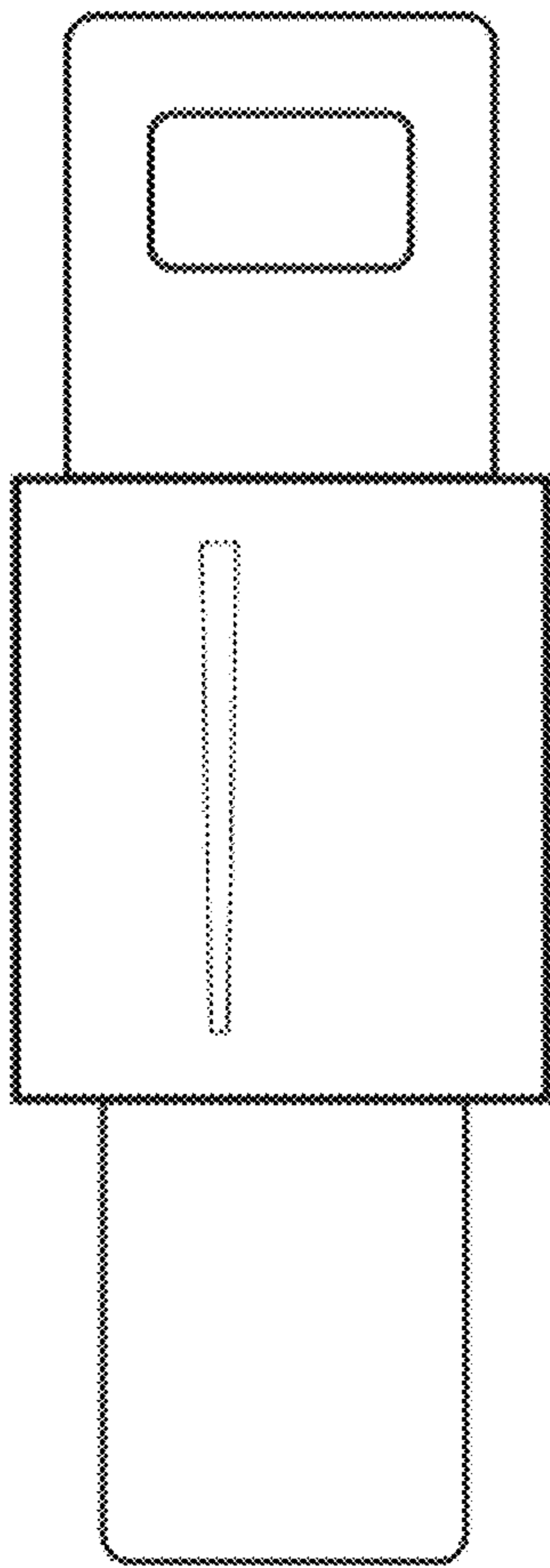


FIG. 1

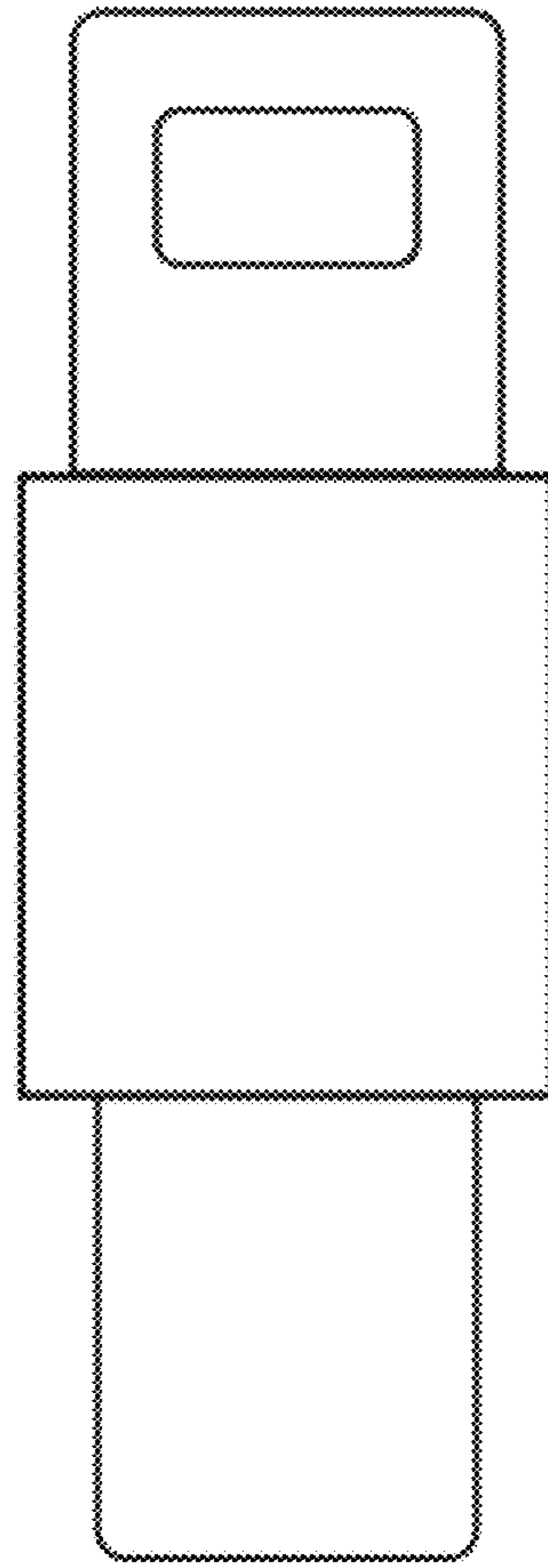


FIG. 2

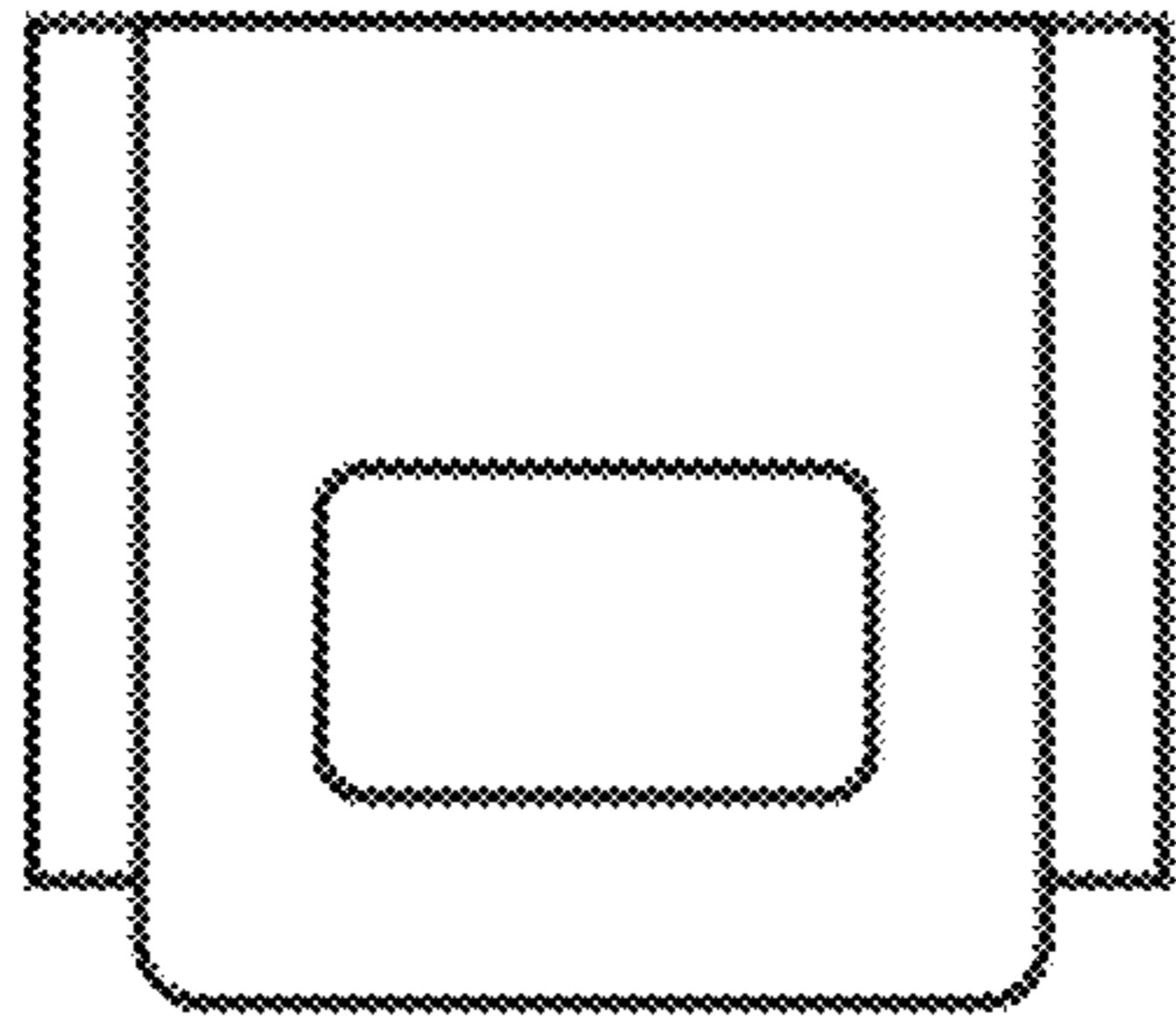


FIG. 3

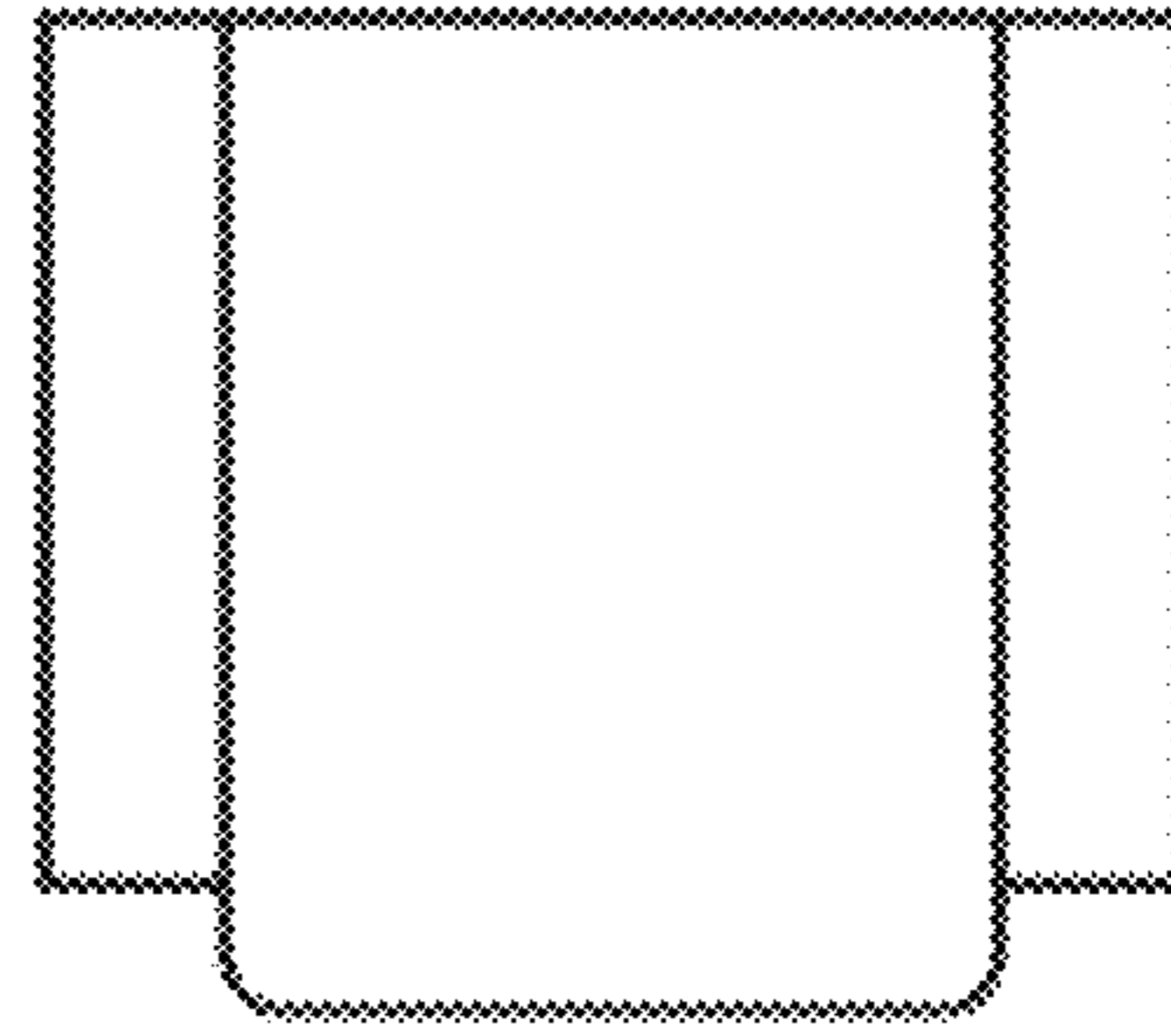


FIG. 4

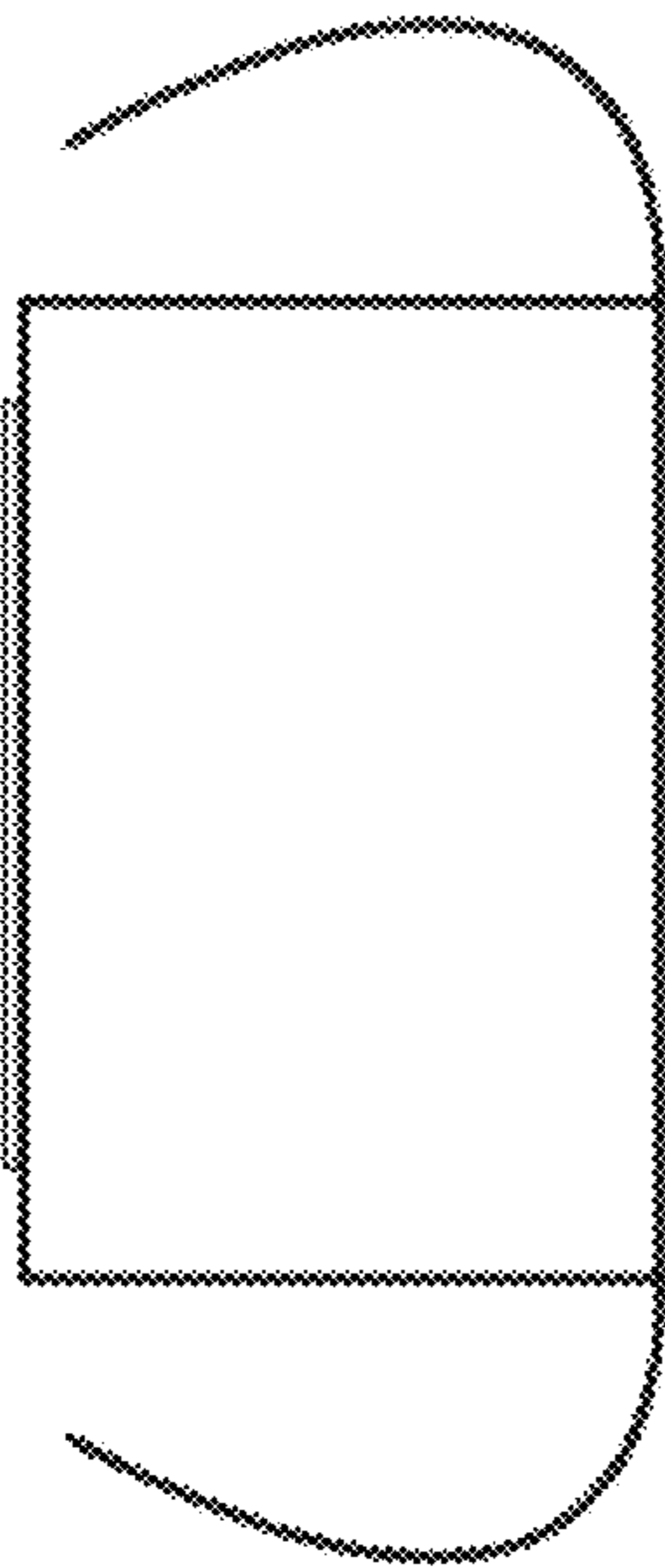


FIG. 5

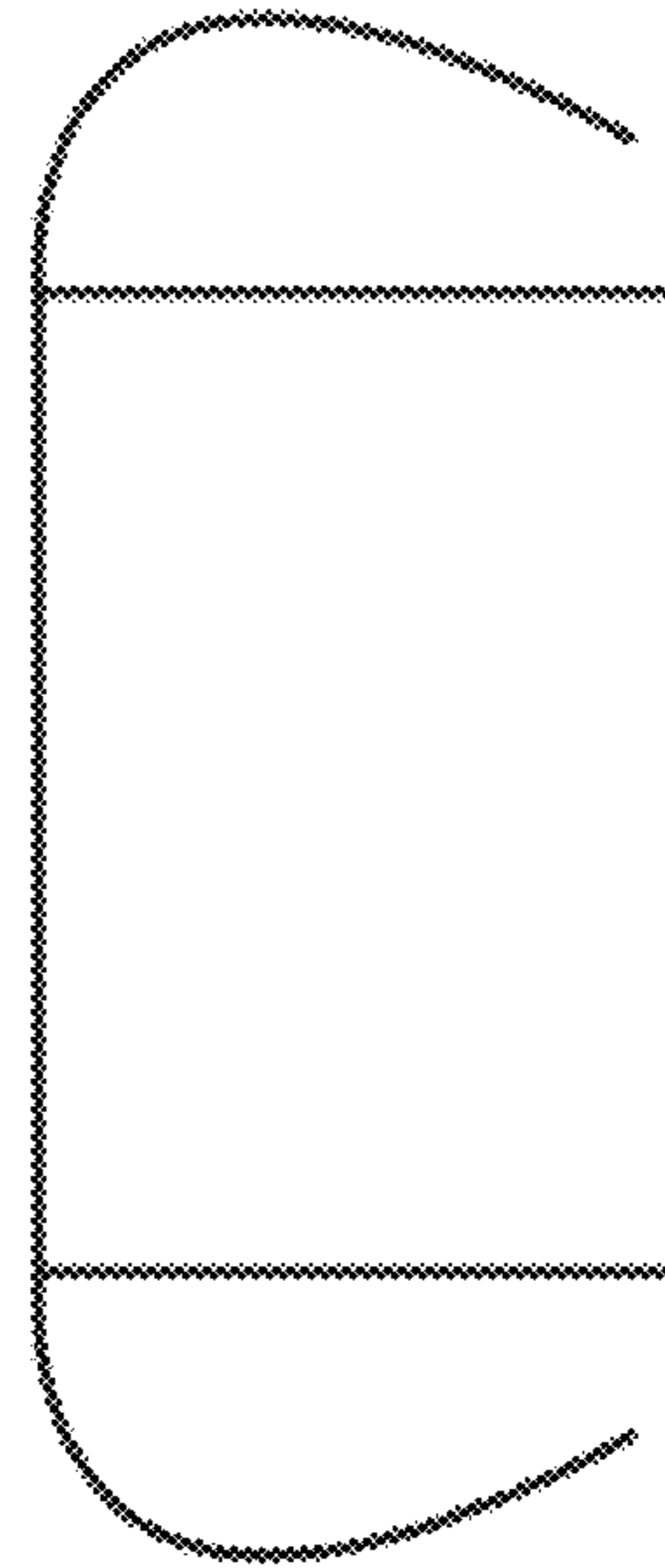


FIG. 6

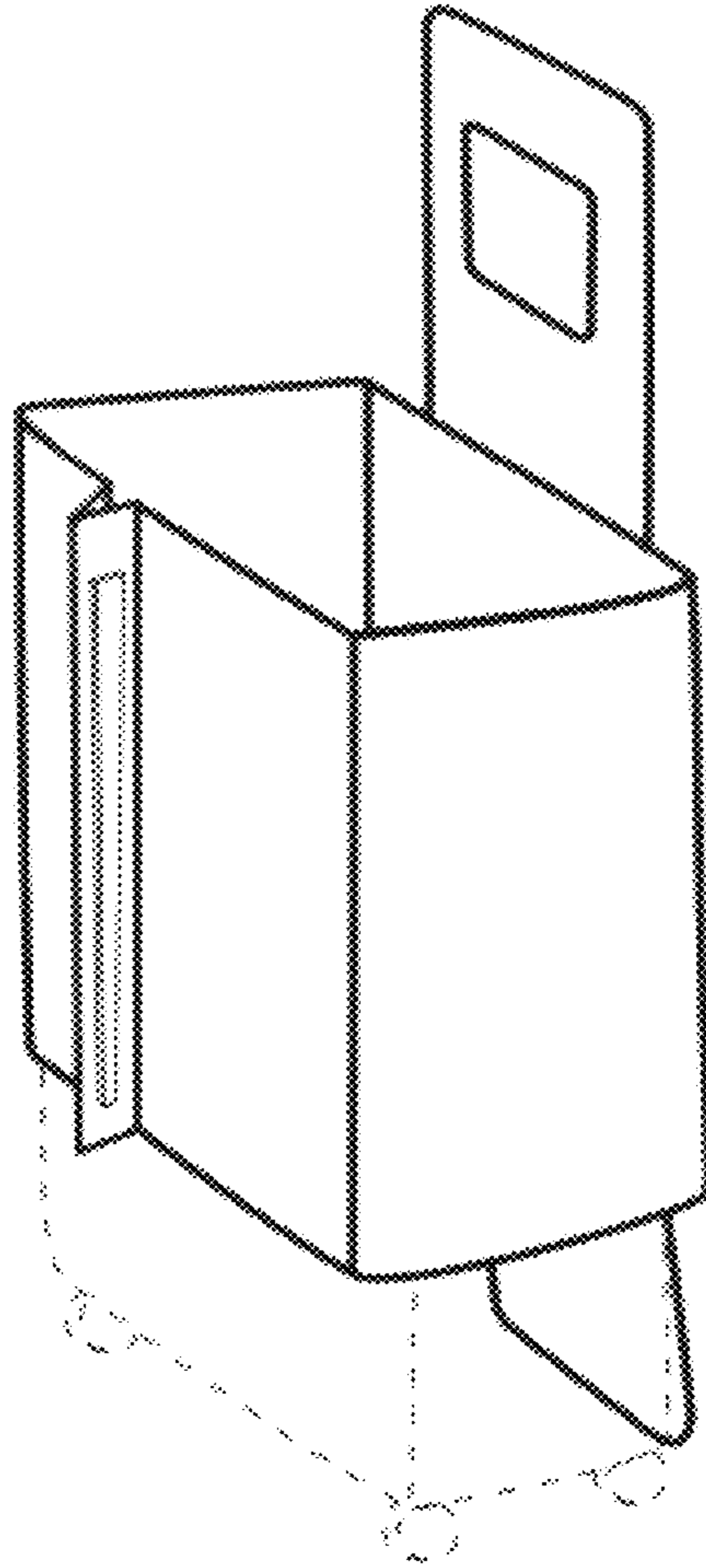


FIG. 7

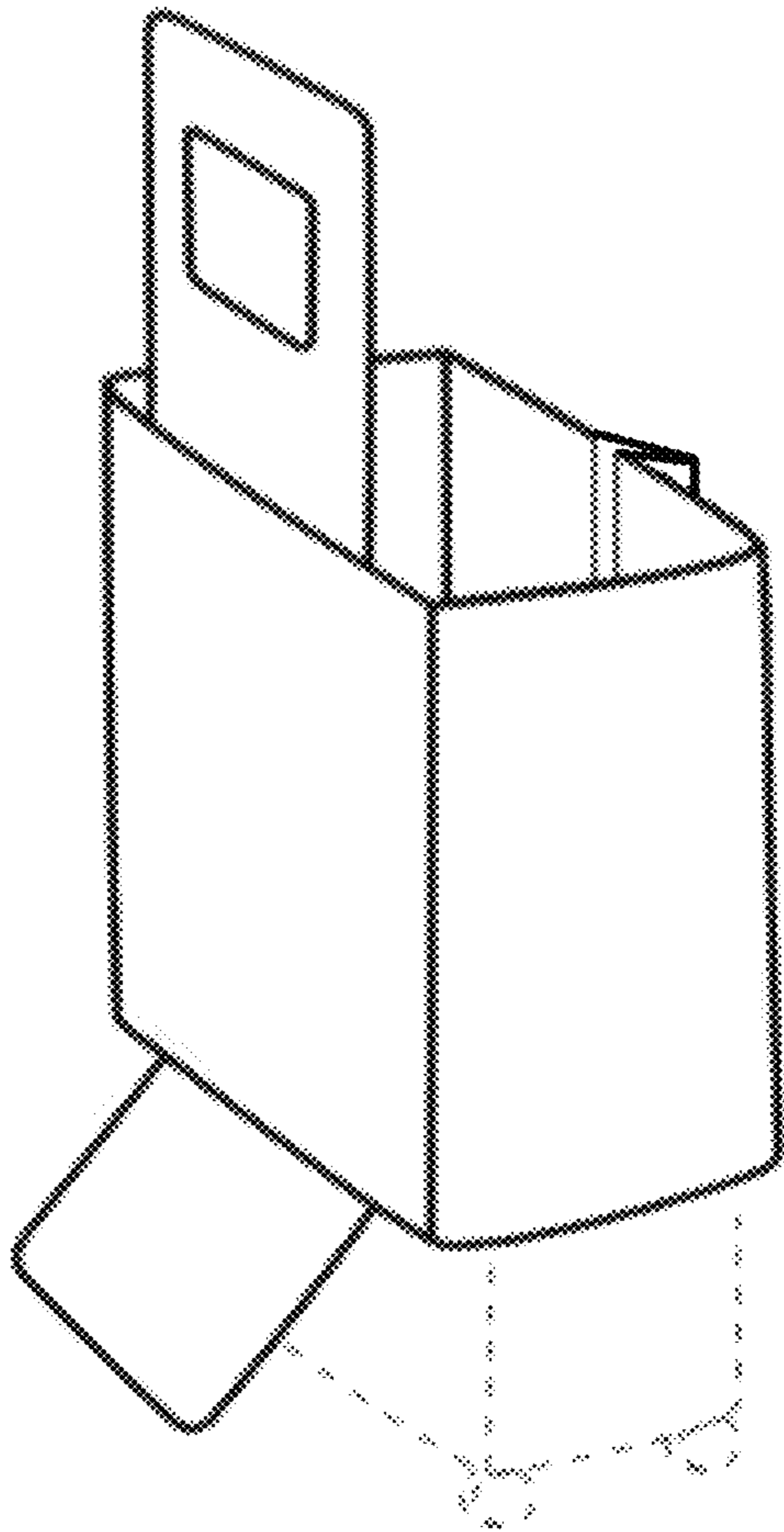


FIG. 8

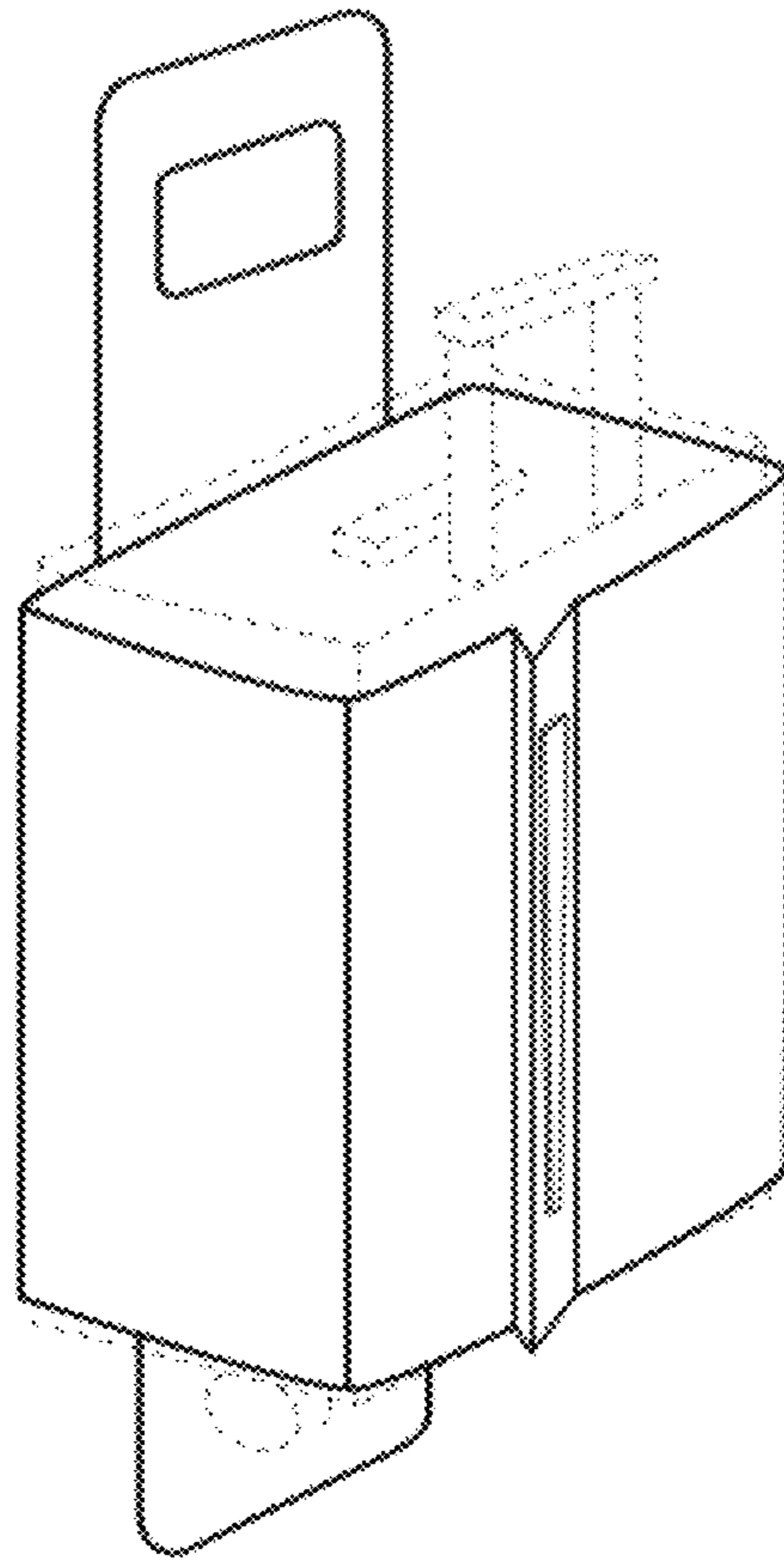


FIG. 9

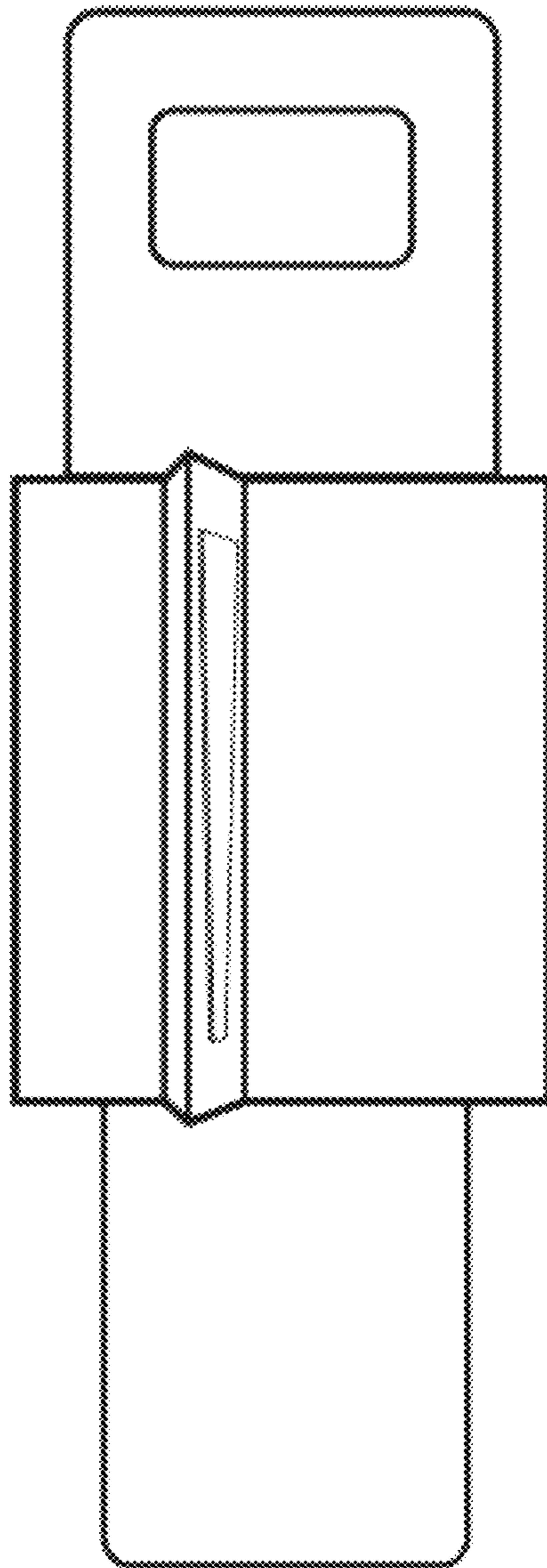


FIG. 10

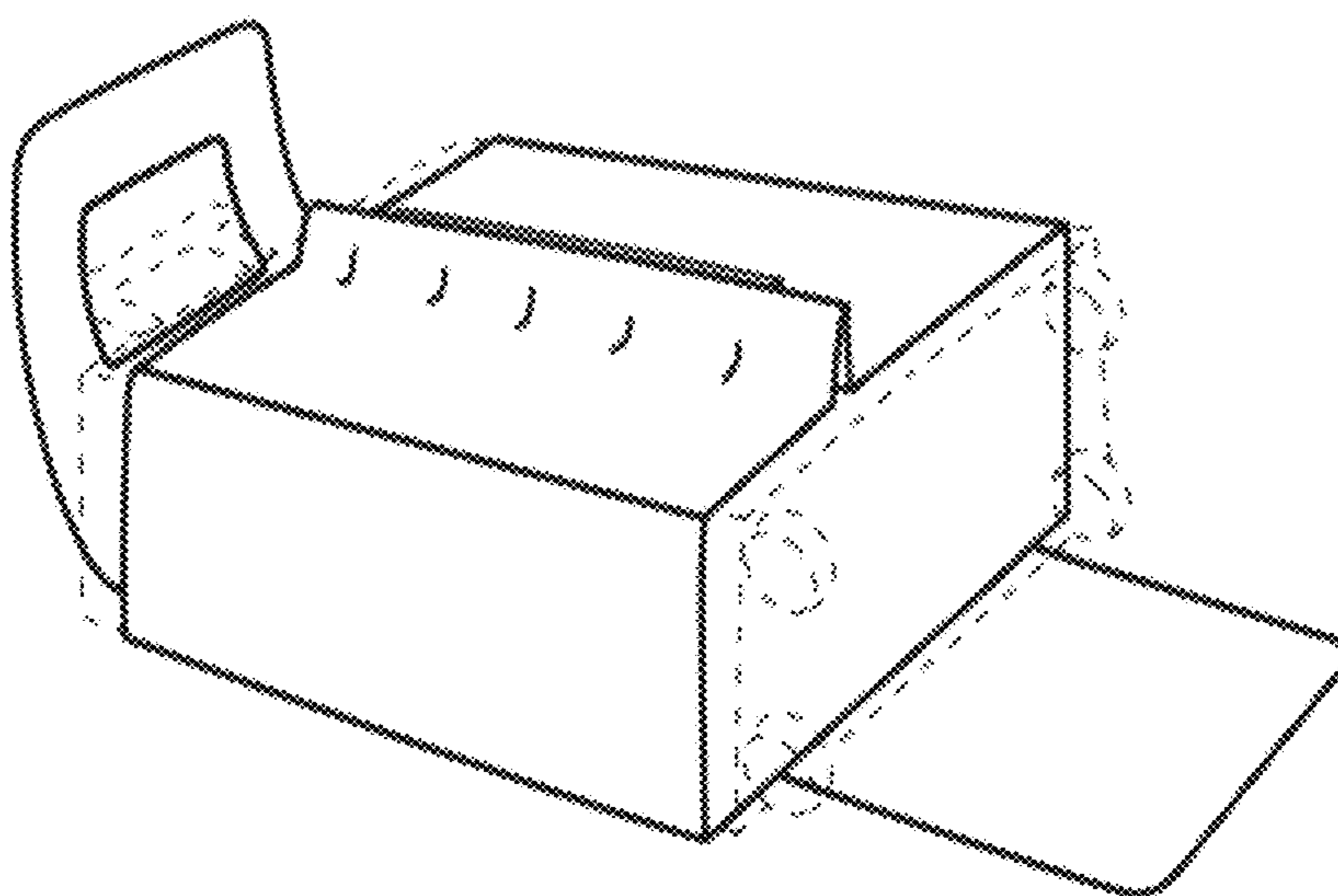


FIG. 11

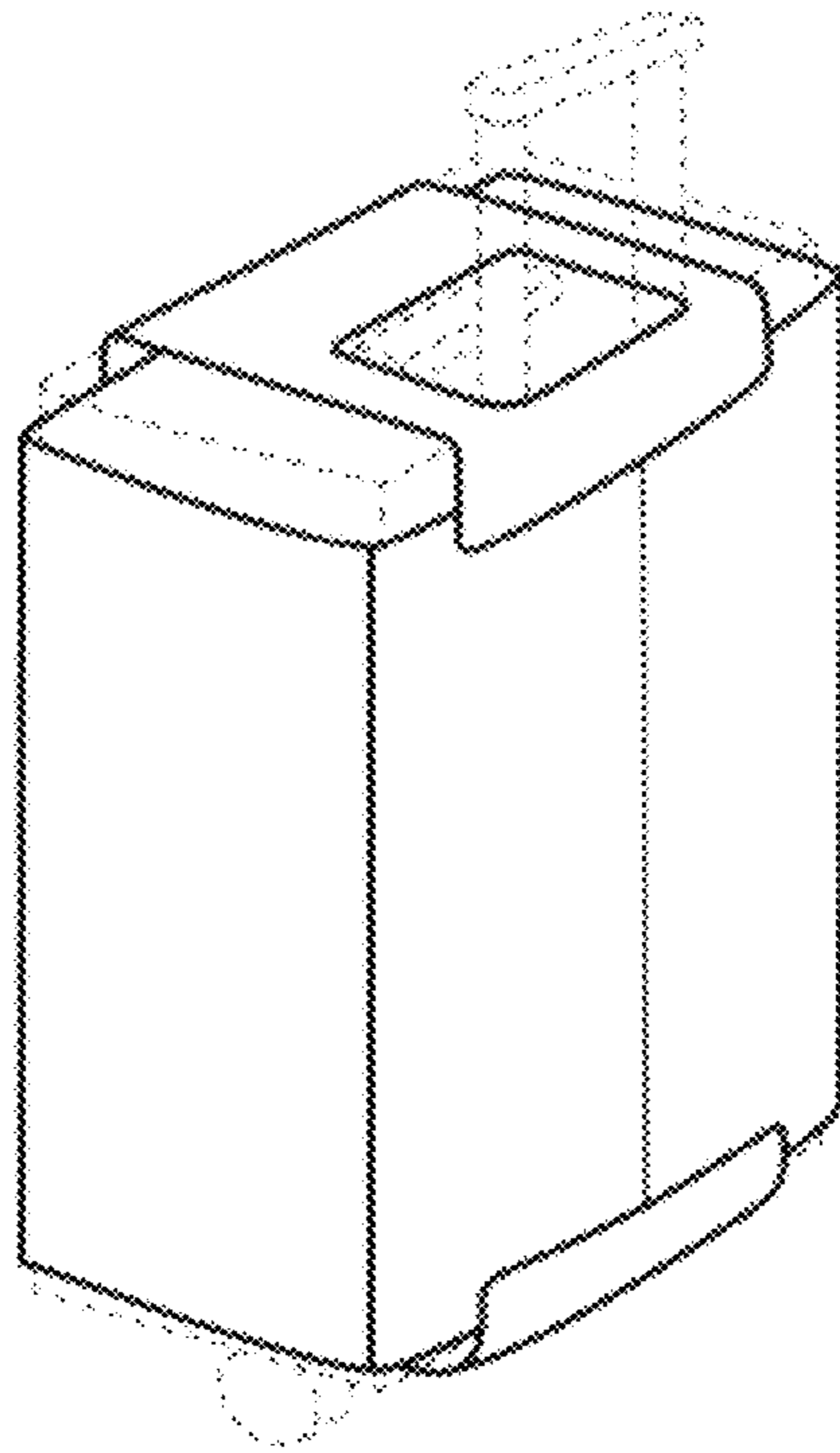


FIG. 12

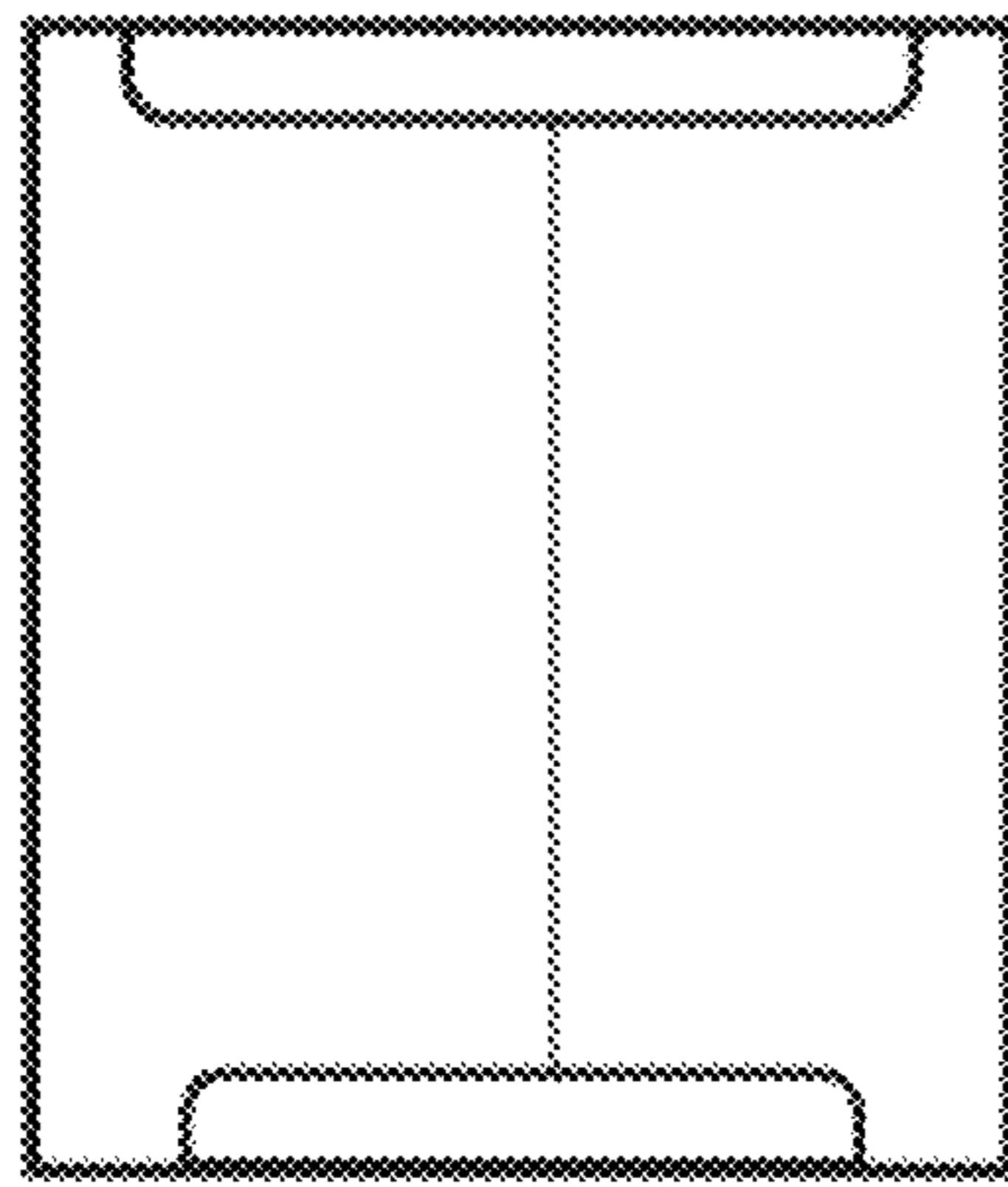


FIG. 13

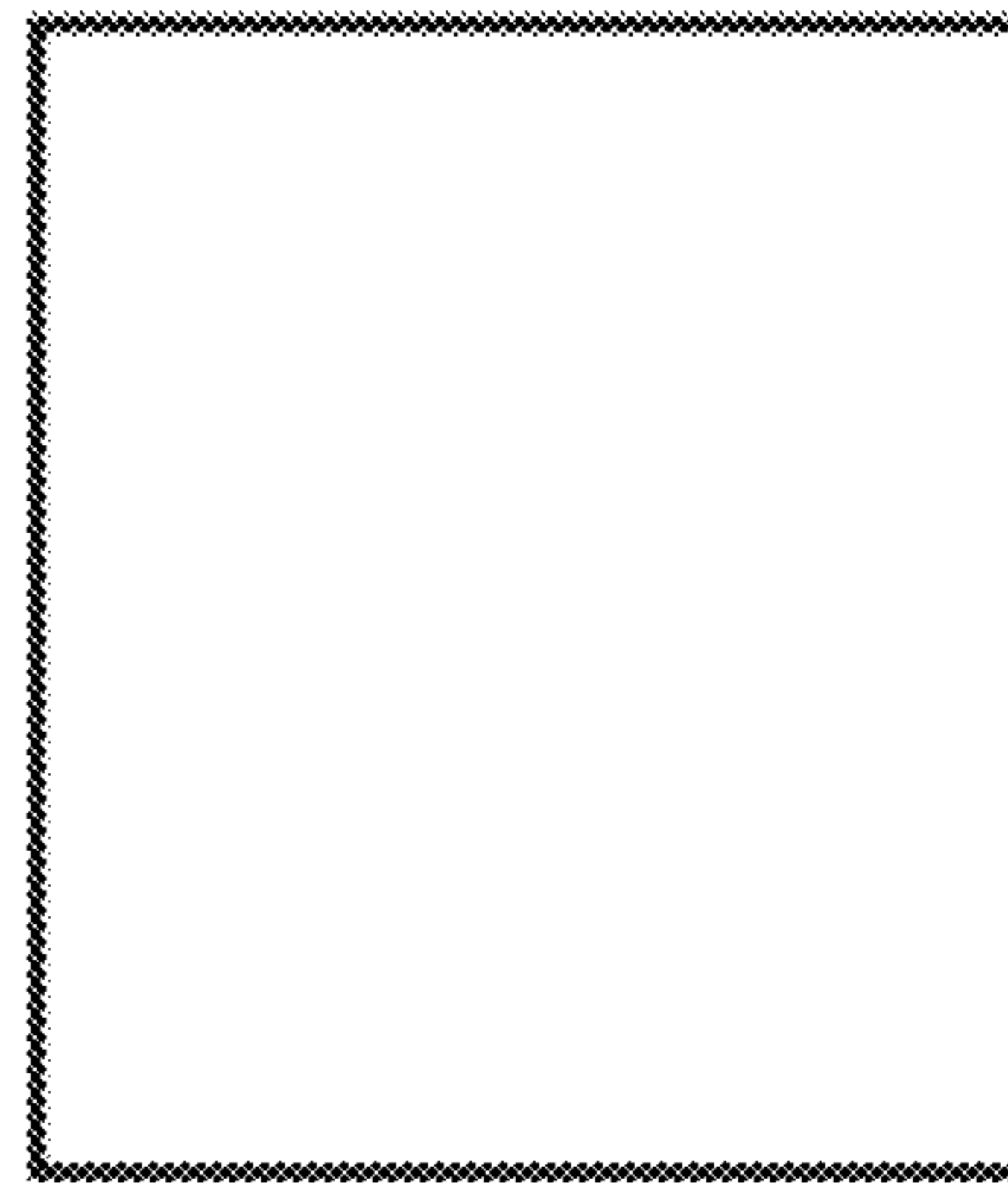


FIG. 14

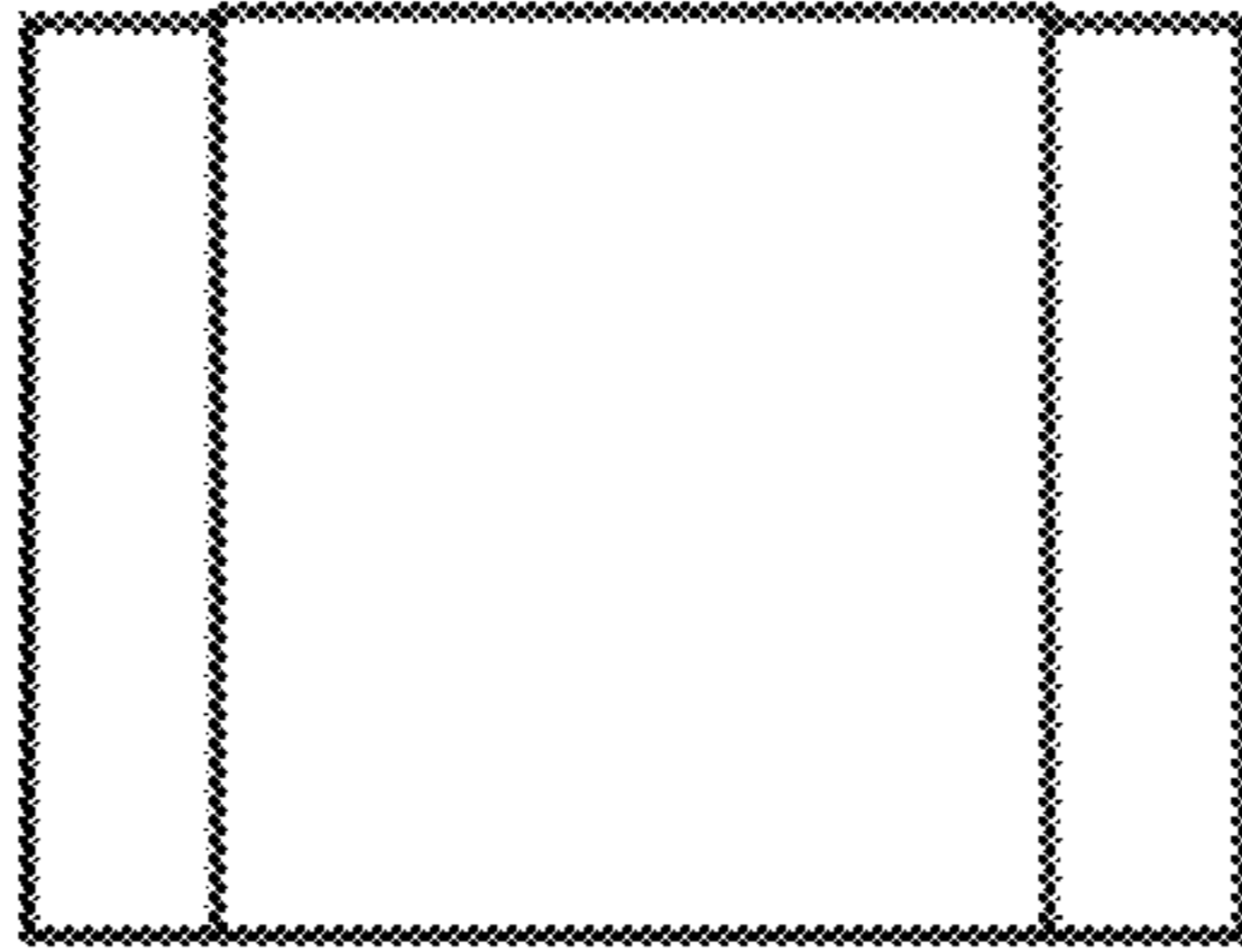


FIG. 15

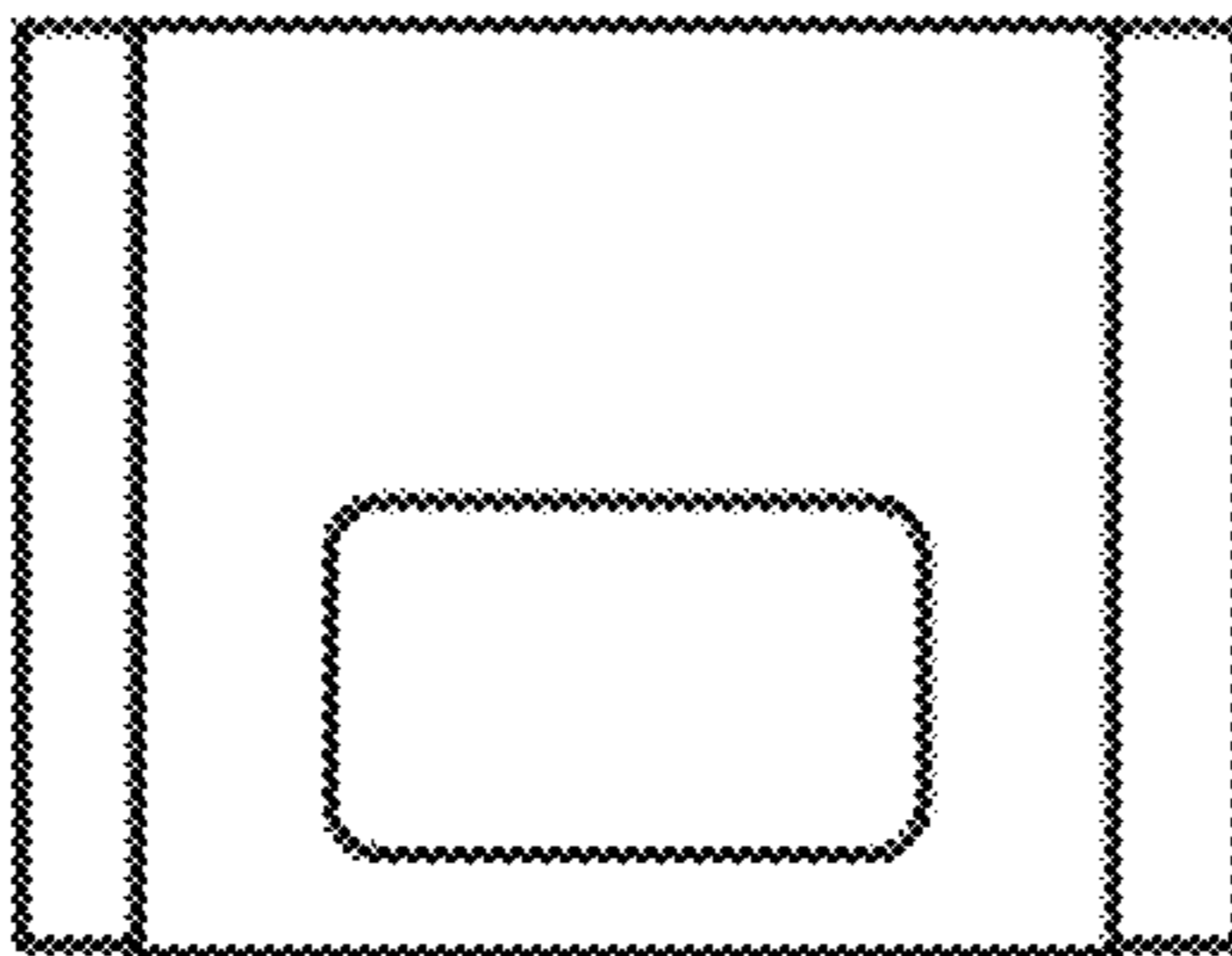


FIG. 16

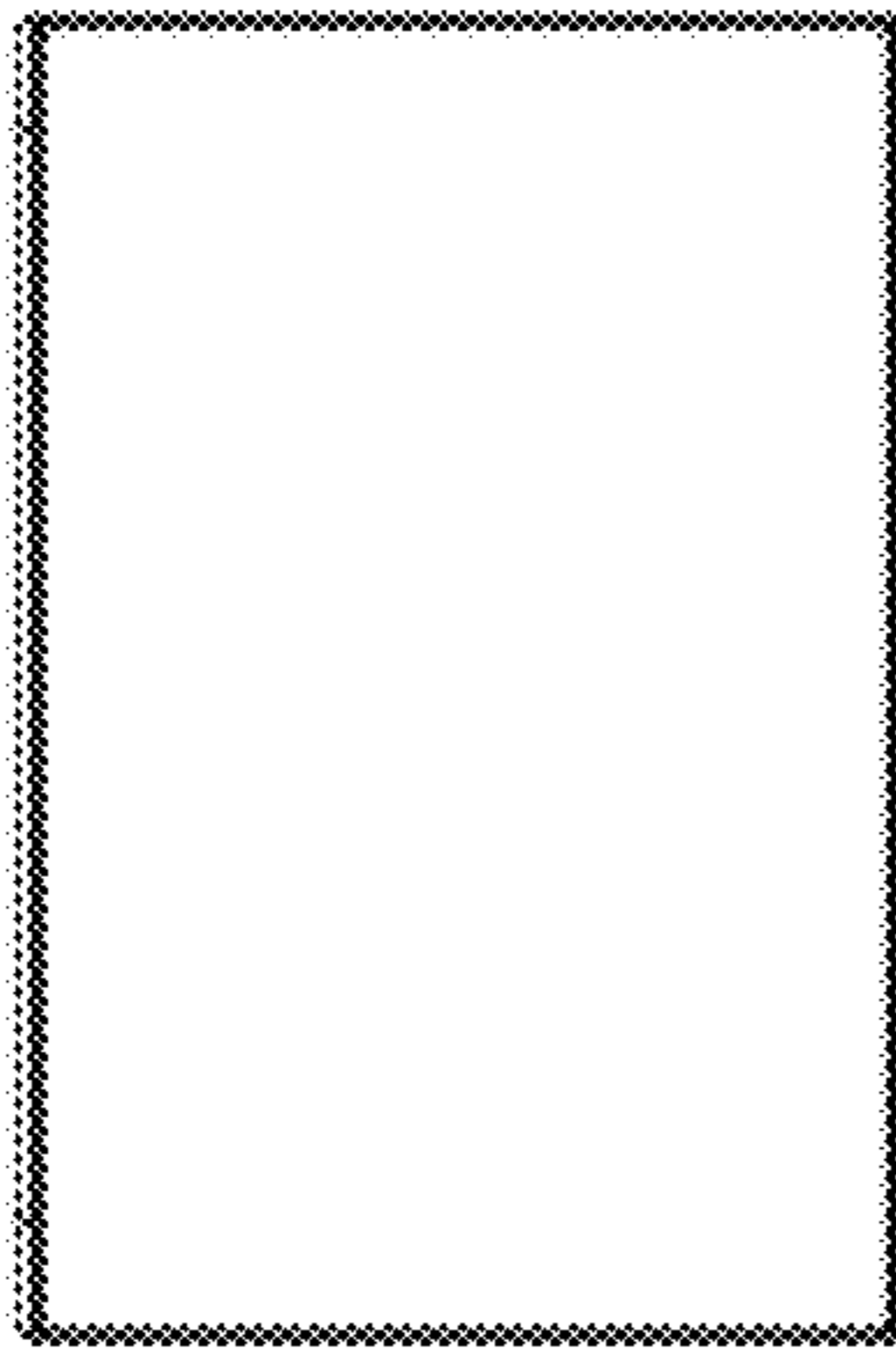


FIG. 17

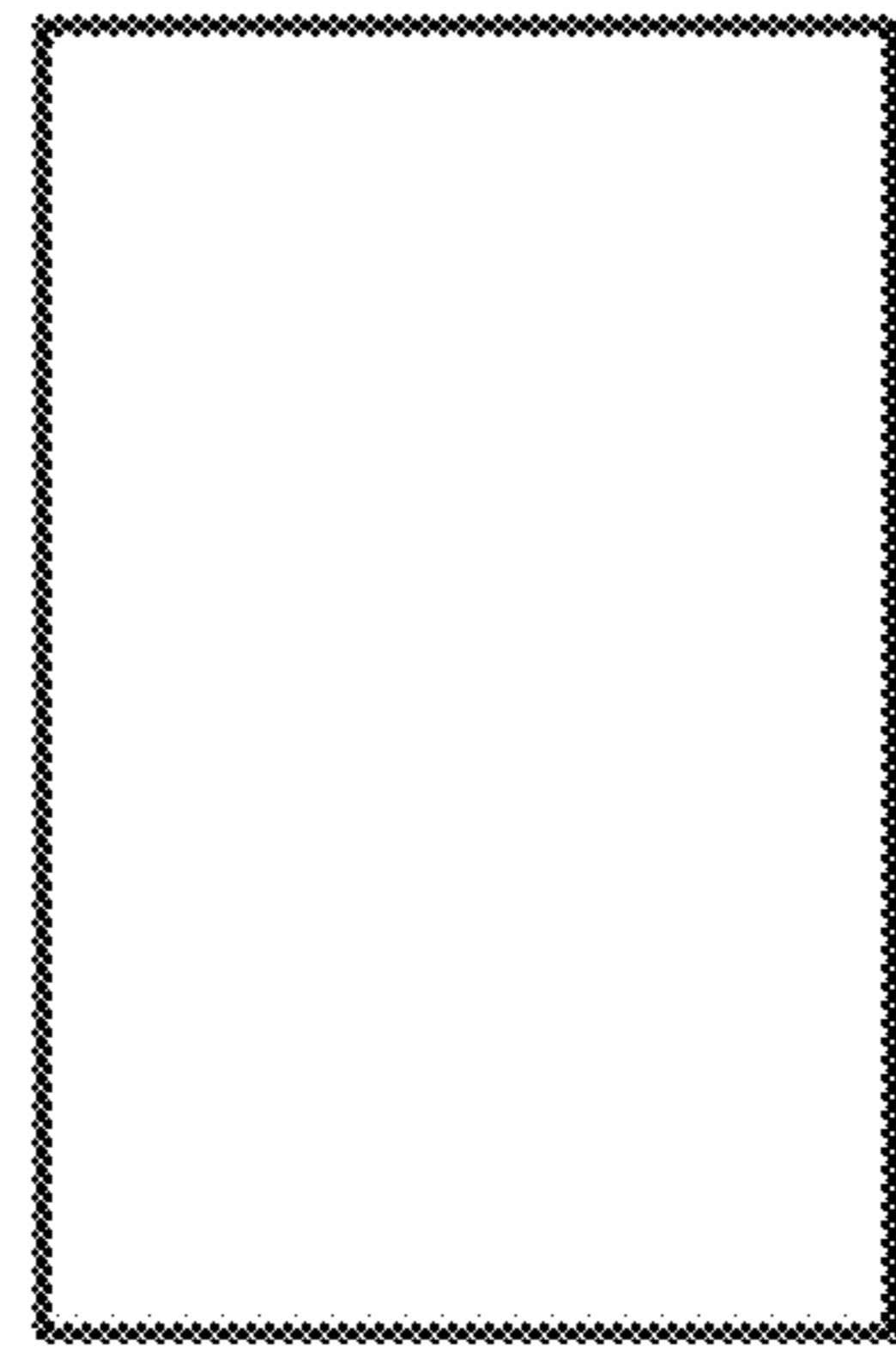


FIG. 18