

US00D856677S

(12) **United States Design Patent** (10) **Patent No.:** **US D856,677 S**
Gill et al. (45) **Date of Patent:** **** Aug. 20, 2019**

(54) **ATTACHMENT POCKET**
(71) Applicant: **KwikSpace Guam, Inc.**, Hagatna, GU (US)
(72) Inventors: **Peter E. Gill**, Tamuning, GU (US); **Peter E. Gill, III**, Tamuning, GU (US)
(73) Assignee: **KWIKSPACE GUAM**, Hagatna, GU (US)
(**) Term: **15 Years**
(21) Appl. No.: **29/656,389**
(22) Filed: **Jul. 12, 2018**
(51) **LOC (12) Cl.** **03-01**
(52) **U.S. Cl.**
USPC **D3/299**; D3/215; D3/301
(58) **Field of Classification Search**
USPC D3/201, 215, 216, 217, 218, 222, 273, D3/276, 283, 284, 285, 289, 290, 291, D3/299, 900, 301
CPC A45C 3/02; A45C 2003/008; A45C 5/03; A45C 2011/003; A45C 2200/05; A45C 2001/006; A45C 1/04; A45C 13/185; A45C 2200/10; A45C 15/00; A45C 5/06; A45F 2200/0525
See application file for complete search history.

D799,824 S * 10/2017 Cole D3/301
D818,263 S * 5/2018 Broadhurst D3/218
D819,960 S * 6/2018 Zhang D3/218
D830,055 S * 10/2018 Miller D3/218

OTHER PUBLICATIONS

Dark Angel Medical, "D.A.R.K. Lite Trauma Kit", First reviewed Aug. 2, 2016. (<http://darkangelmedical.com/d-a-r-k-lite-trauma-kit/>) (Year: 2016).*
B&H, "Moment Attachable Lens Pouch", First reviewed Feb. 21, 2019. (https://www.bhphotovideo.com/c/product/1454267-REG/moment_106_112_attachable_lens_pouch_black.html) (Year: 2019).*

* cited by examiner

Primary Examiner — Jennifer Rivard
Assistant Examiner — April Rivas
(74) *Attorney, Agent, or Firm* — Donald J. Ersler

(57) **CLAIM**

The ornamental design for an attachment pocket, as shown and described.

DESCRIPTION

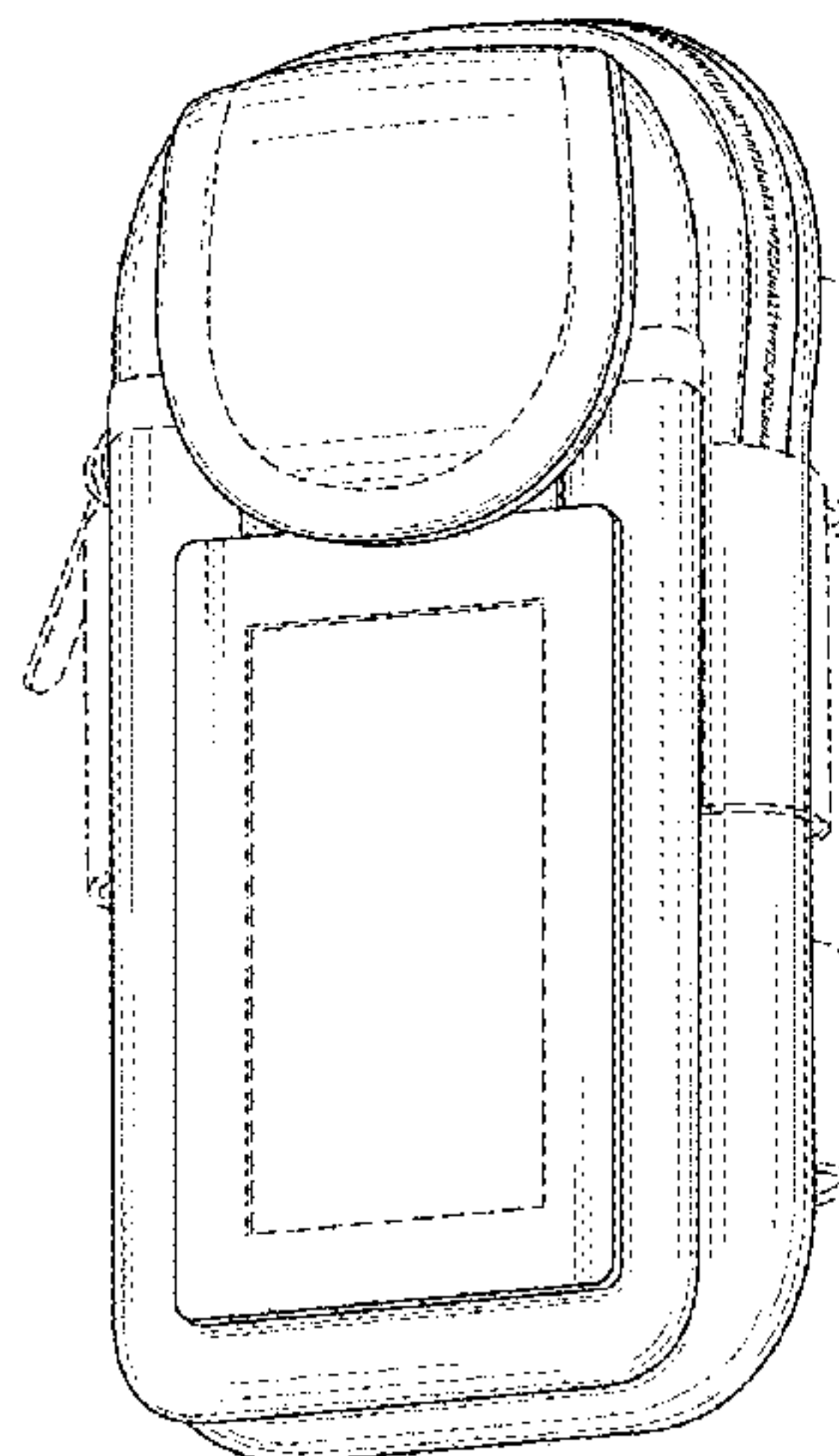
FIG. 1 is a perspective view of an attachment pocket incorporating our new design;
FIG. 2 is a front view thereof.
FIG. 3 is a rear view thereof;
FIG. 4 is a right side view thereof;
FIG. 5 is a left side view thereof;
FIG. 6 is a top plan view thereof; and,
FIG. 7 is a bottom plan view thereof.
All of the broken lines shown in the drawings illustrate portions of the attachment pocket and form no part of the claimed design. The shaded features and solid lines shown through the broken lines illustrate the claimed surfaces of the attachment pocket.

1 Claim, 7 Drawing Sheets

(56) **References Cited**

U.S. PATENT DOCUMENTS

D266,205 S * 9/1982 Berman 224/240
D368,800 S * 4/1996 Shink D3/218
D425,303 S * 5/2000 Klonowski D3/201
6,209,769 B1 * 4/2001 Seals A45C 1/04
224/583
D663,948 S * 7/2012 Ito D3/218
D753,387 S * 4/2016 Now D3/230
D773,176 S * 12/2016 Boyd D3/218
D798,584 S * 10/2017 Beers D3/218



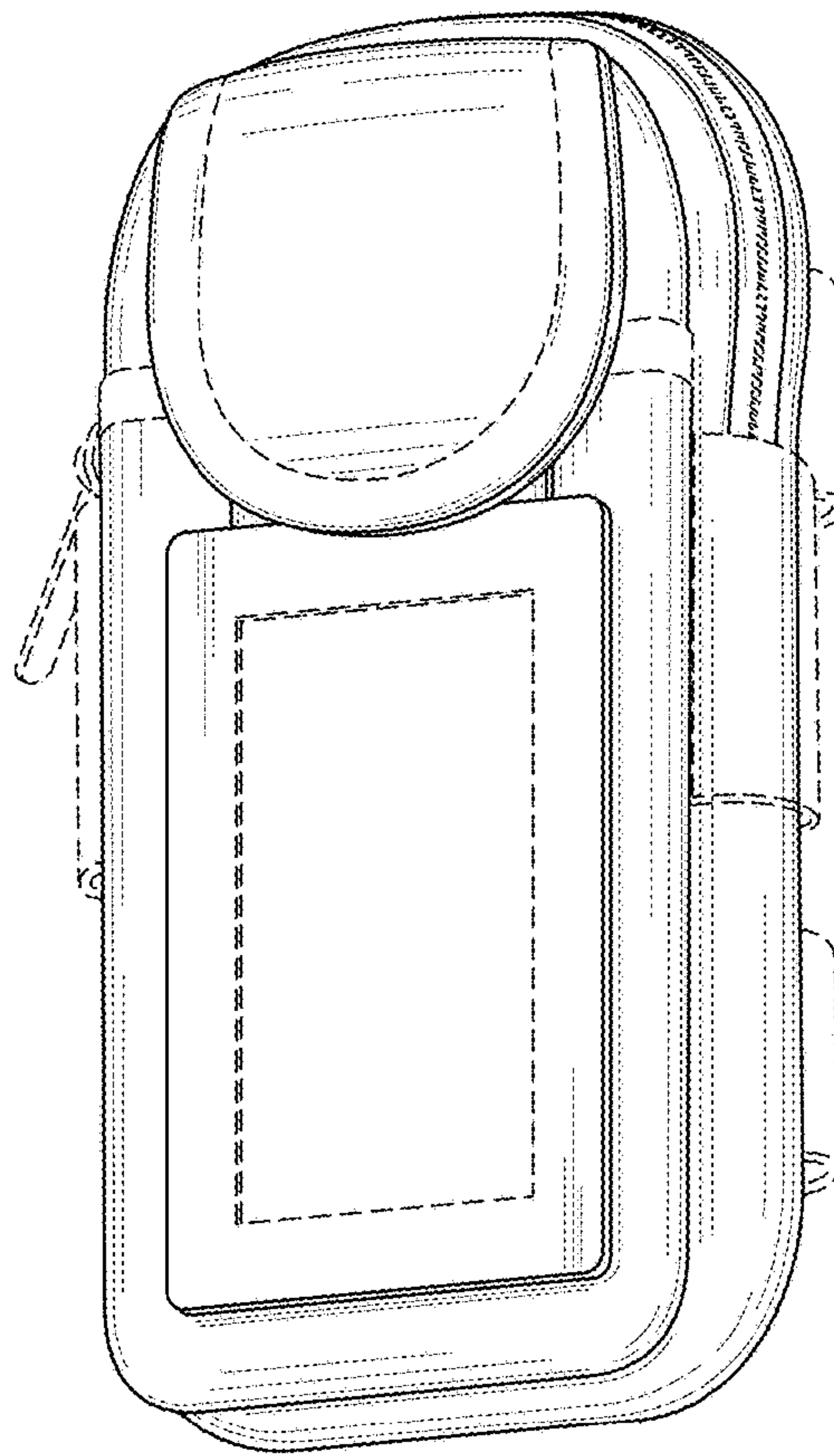


FIG. 1

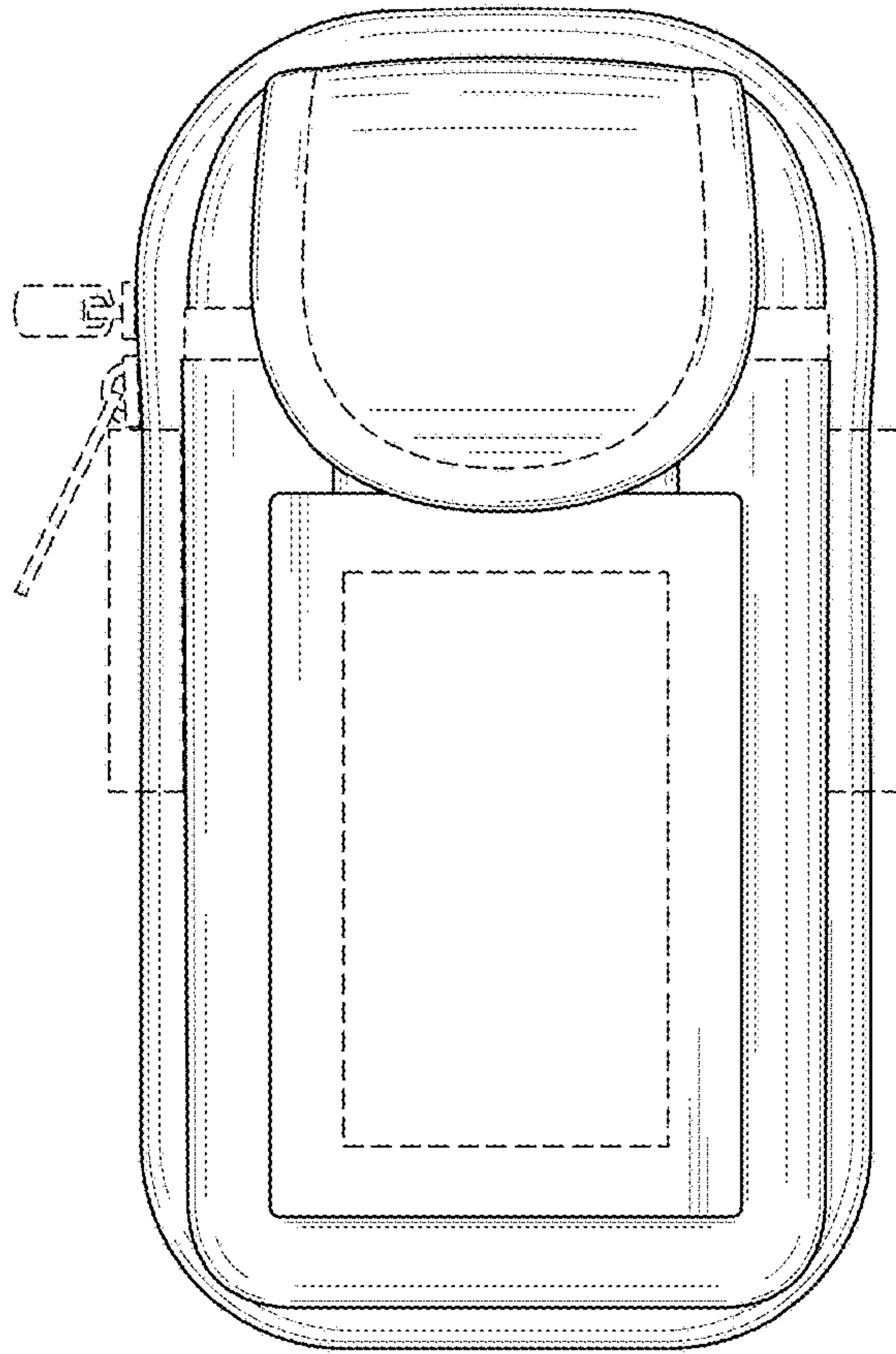


FIG. 2

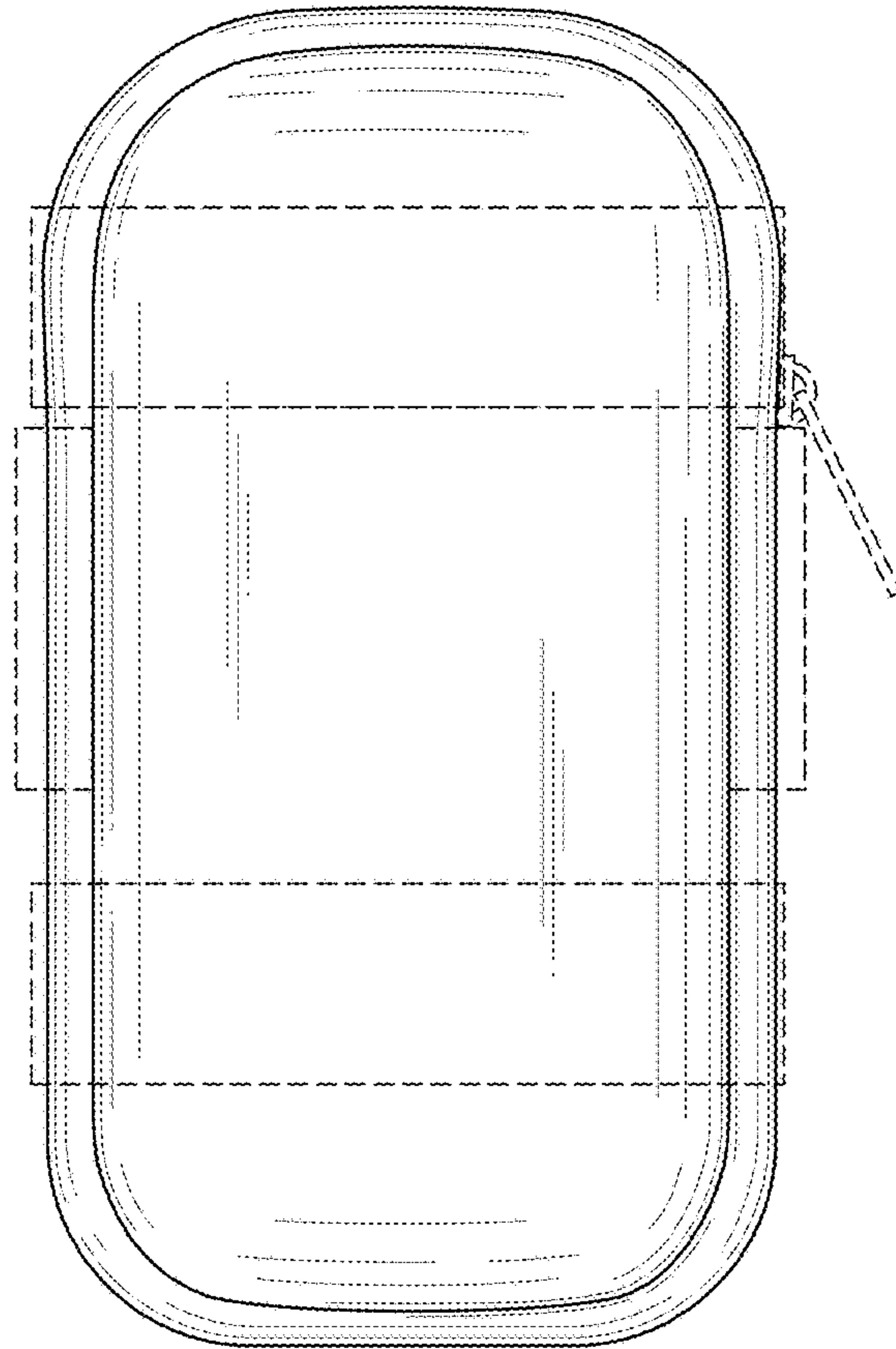


FIG. 3

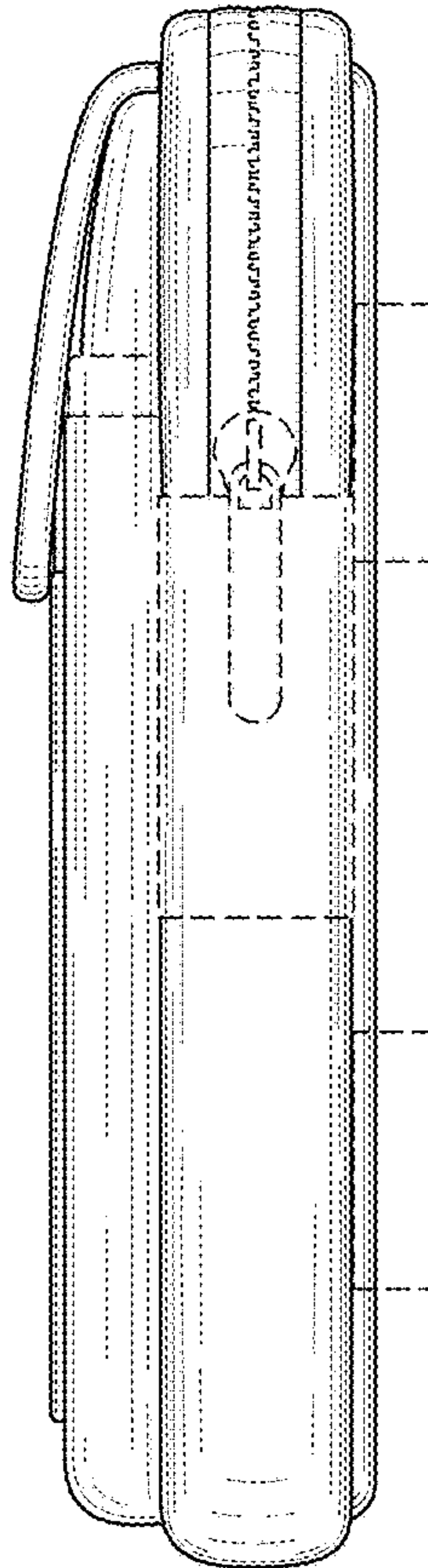


FIG. 4

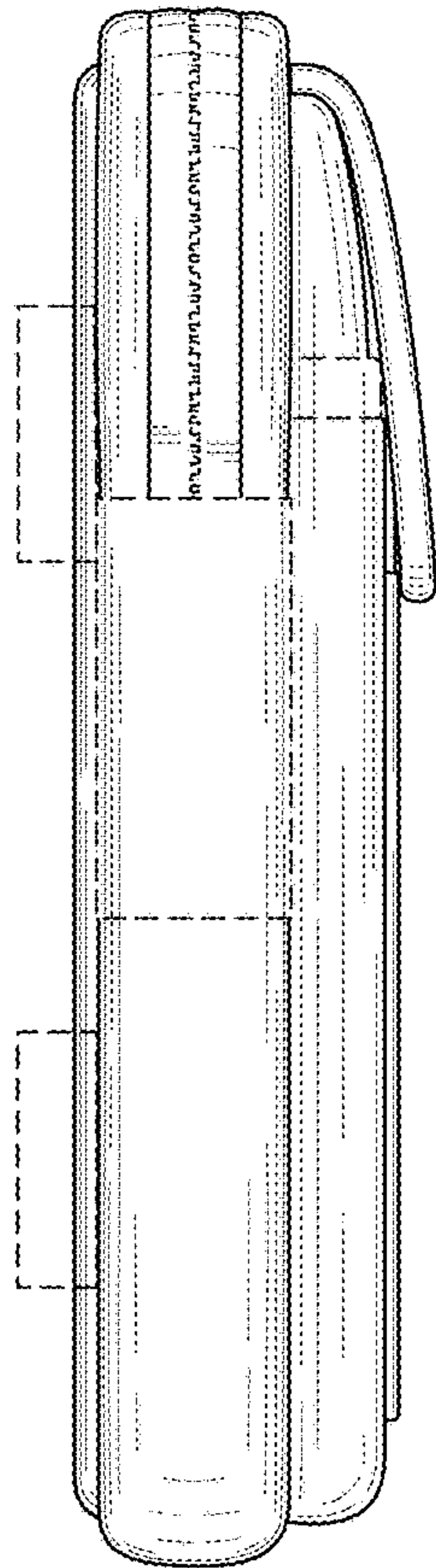


FIG. 5

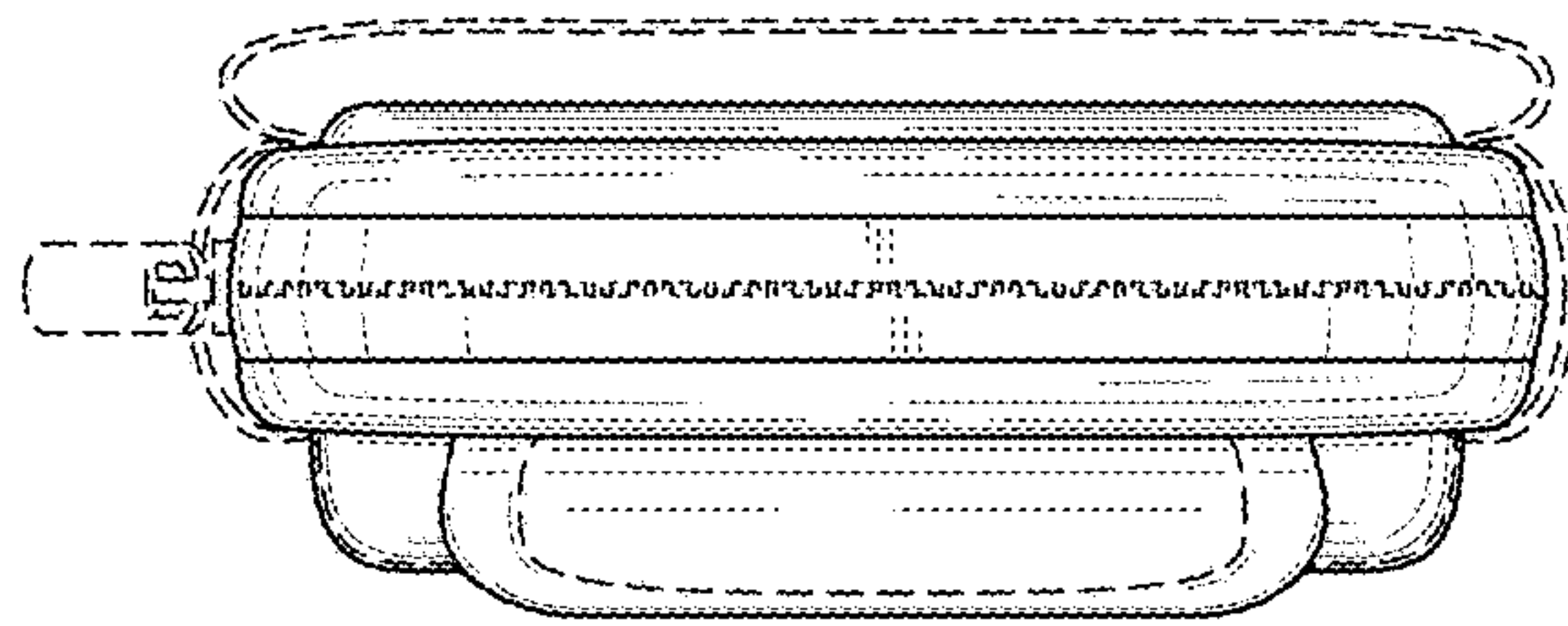


FIG. 6

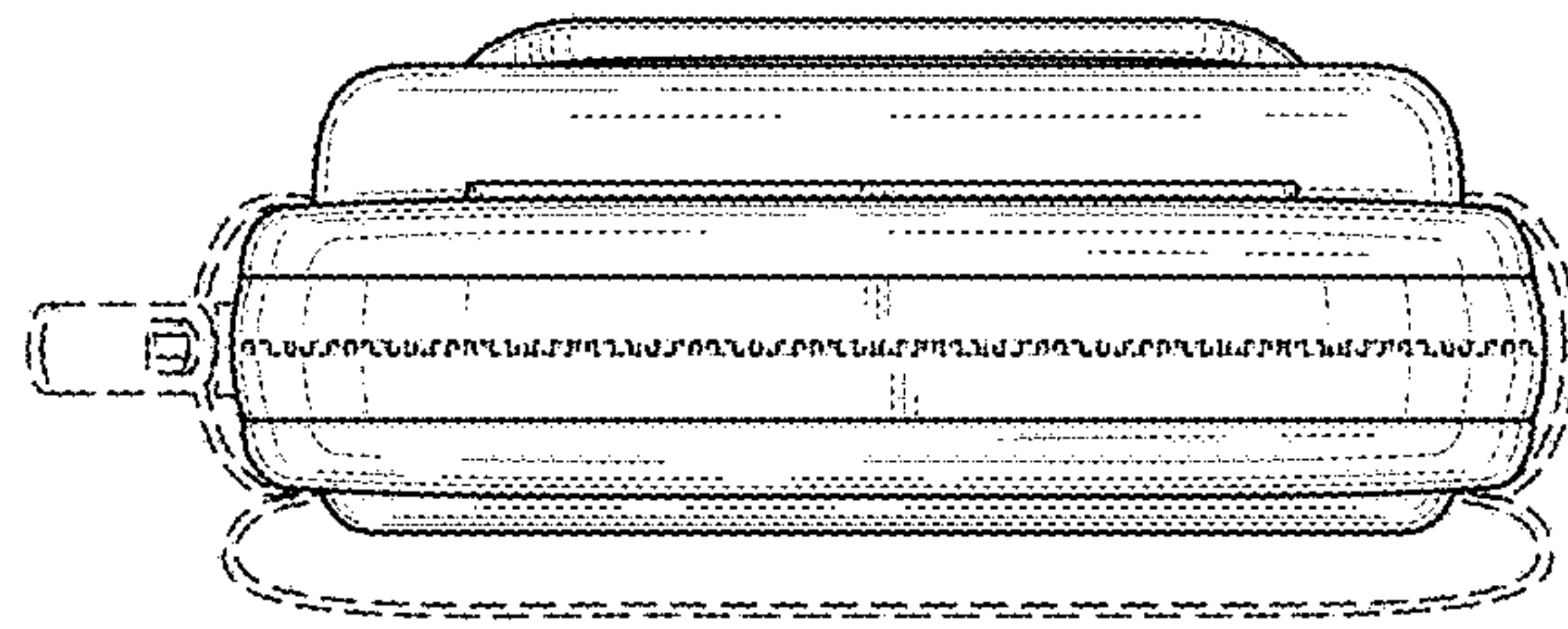


FIG. 7