



US00D856676S

(12) **United States Design Patent**
Basak-Smith

(10) **Patent No.:** **US D856,676 S**

(45) **Date of Patent:** **** Aug. 20, 2019**

(54) **LIDDED CONTAINER**

(71) Applicant: **Ronjit Basak-Smith**, Boulder, CO (US)

(72) Inventor: **Ronjit Basak-Smith**, Boulder, CO (US)

(73) Assignee: **Sana Packaging, LLC**, Boulder, CO (US)

(**) Term: **15 Years**

(21) Appl. No.: **29/603,866**

(22) Filed: **May 12, 2017**

(51) **LOC (12) Cl.** **03-01**

(52) **U.S. Cl.**
USPC **D3/298**

(58) **Field of Classification Search**
USPC D3/201, 203.1, 203.3, 203.6, 206, 273,
D3/274, 298, 304, 315, 901, 905;
D9/721, 414, 430, 432, 456; D7/601,
D7/629; D19/106; 220/FOR. 183,
220/FOR. 189, 345.1, 345.2; 206/242,
206/265, 267, 3, 828, 1.7, 6.1
CPC B65D 43/12; B65D 43/20; B65D
2543/00194
See application file for complete search history.

(56) **References Cited**

U.S. PATENT DOCUMENTS

3,531,012 A * 9/1970 Bergh B65D 43/20
217/62
4,126,224 A * 11/1978 Laauwe B65D 43/20
206/1.5
D258,324 S * 2/1981 Rader D3/295
D258,723 S * 3/1981 Cornou D7/629
D265,098 S * 6/1982 Crowe 206/5.1
4,342,403 A * 8/1982 Badtke B65D 43/12
206/540
D284,253 S * 6/1986 Carlson D7/629
4,946,057 A * 8/1990 Connolly B65D 25/22
206/45.28
D319,977 S * 9/1991 Curry D19/106

5,129,538 A * 7/1992 Bennett B65D 43/20
220/315
D372,174 S * 7/1996 Arduini D7/542
D374,555 S * 10/1996 McMath D3/272
D378,563 S * 3/1997 Ferris D7/538
(Continued)

OTHER PUBLICATIONS

“7 Eco-Friendly Cannabis Brands Helping Us Get High Sustainably” (via Leafly.com), available Mar. 18, 2019, [online], [site visited Mar. 18, 2019]. Available from internet, <URL: https://www.leafly.com/news/strains-products/sustainable-cannabis-brands-and-products (Year: 2019).*

(Continued)

Primary Examiner — Cathron C Brooks
Assistant Examiner — W. A. Teddy Falloway
(74) *Attorney, Agent, or Firm* — Emily L. Gordy; Carver, Darden, Koretzky, Tessier, Finn, Blossman & Areaux, LLC

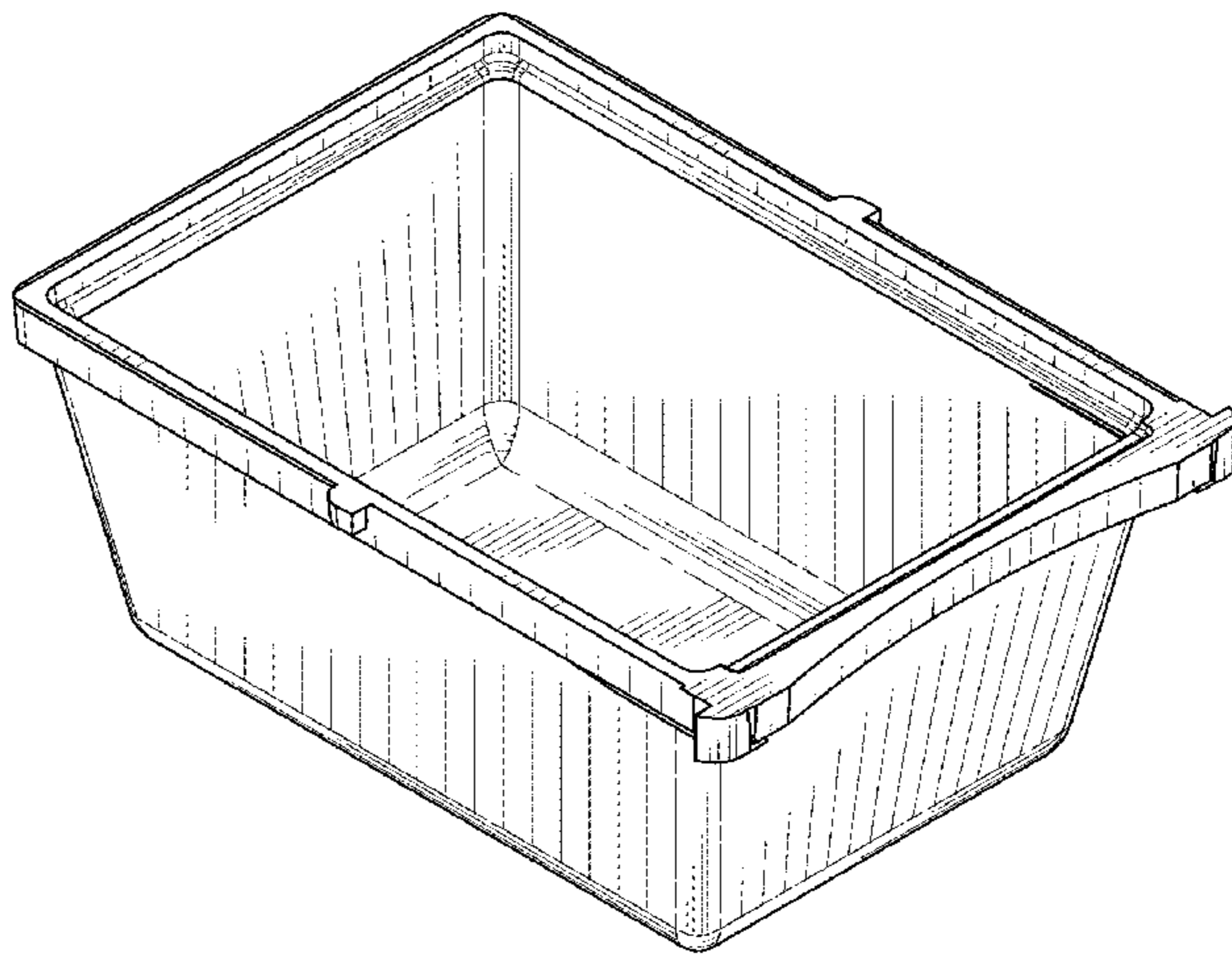
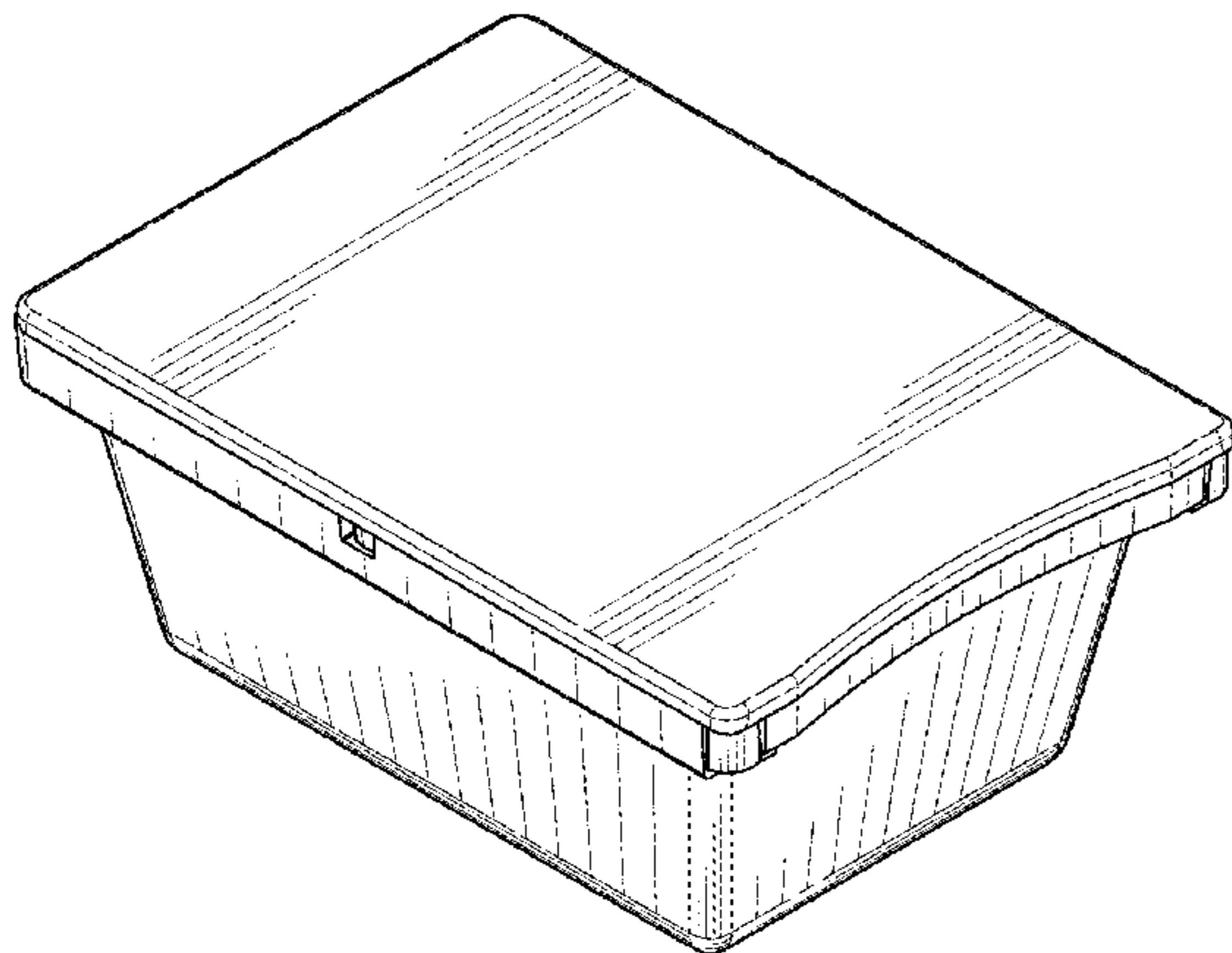
(57) **CLAIM**

The ornamental design for a lidded container, as shown and described.

DESCRIPTION

FIG. 1 is a perspective view of a lidded container;
FIG. 2 is a first side view thereof;
FIG. 3 is a second side view thereof;
FIG. 4 is a bottom view thereof;
FIG. 5 is a perspective view of the base of the lidded container, shown separately for completeness of illustration;
FIG. 6 is a bottom view thereof;
FIG. 7 is a top view thereof;
FIG. 8 is a perspective view of the lid of the lidded container, shown separately for completeness of illustration; and,
FIG. 9 is a bottom view thereof.

1 Claim, 5 Drawing Sheets



(56)

References Cited

U.S. PATENT DOCUMENTS

D411,040 S * 6/1999 Gilbertson D3/273
 D422,412 S * 4/2000 Greene D3/201
 D431,464 S * 10/2000 Collins D9/424
 D447,906 S * 9/2001 Jarvis D7/354
 D448,662 S * 10/2001 Collins D9/425
 D465,729 S * 11/2002 Nishimura D9/422
 D469,319 S * 1/2003 Pettaweebuncha D7/629
 D479,462 S * 9/2003 Chan D9/422
 D597,383 S * 8/2009 Masterton D3/272
 7,708,137 B1 * 5/2010 Rowley, Jr. B65D 7/06
 206/223
 D742,737 S * 11/2015 Huang D9/425
 D744,393 S * 12/2015 Carroll D12/179
 D749,914 S * 2/2016 Jeon D7/629
 D762,469 S * 8/2016 Wood D9/425
 9,938,042 B1 * 4/2018 Aryanpanah B65D 11/20
 D821,749 S * 7/2018 Nilsson D3/302
 2004/0108318 A1 * 6/2004 Wang B65D 43/12
 220/345.2
 2004/0217116 A1 * 11/2004 Offerman B65D 43/12
 220/345.2
 2006/0071002 A1 * 4/2006 Hurst A61B 50/30
 220/345.1
 2007/0051726 A1 * 3/2007 Arkins B65D 43/20
 220/345.1

2007/0164032 A1 * 7/2007 Cronin B65D 43/12
 220/345.1
 2008/0149639 A1 * 6/2008 Luburic B65D 21/0233
 220/276
 2010/0072206 A1 * 3/2010 Doyle B65D 25/54
 220/345.2
 2011/0226773 A1 * 9/2011 Rundberg A45D 33/006
 220/345.1
 2014/0312108 A1 * 10/2014 Kroll B65D 43/0218
 229/120
 2018/0178953 A1 * 6/2018 Corners B65D 43/165

OTHER PUBLICATIONS

“Sustainable Cannabis Packaging & Hemp-Based Plastic” by Ron Basak-Smith (via denvergov.org), available Dec. 1, 2017, [site visited Mar. 18, 2019]. Available from internet, <URL: https://www.denvergov.org/content/dam/denvergov/Portals/771/documents/EQ/MJ%20Sustainability/Sustainable%20Packaging_CSS%202017.pdf (Year: 2017).*

Aluminum Empty Rectangle Lip Balm Tins, available Feb. 28, 2013, [online], [site visited Mar. 21, 2019]. Available from internet, <URL: https://www.bulkapothecary.com/aluminum-empty-rectangle-lip-balm-tins/?sku=B/C%20North-pb-70-bag&gclid=EAlalQobChMln7P1paCT4QIVyuDICH2eBQIxEAQYBCABEGKjcPD_BwE (Year: 2013).*

* cited by examiner

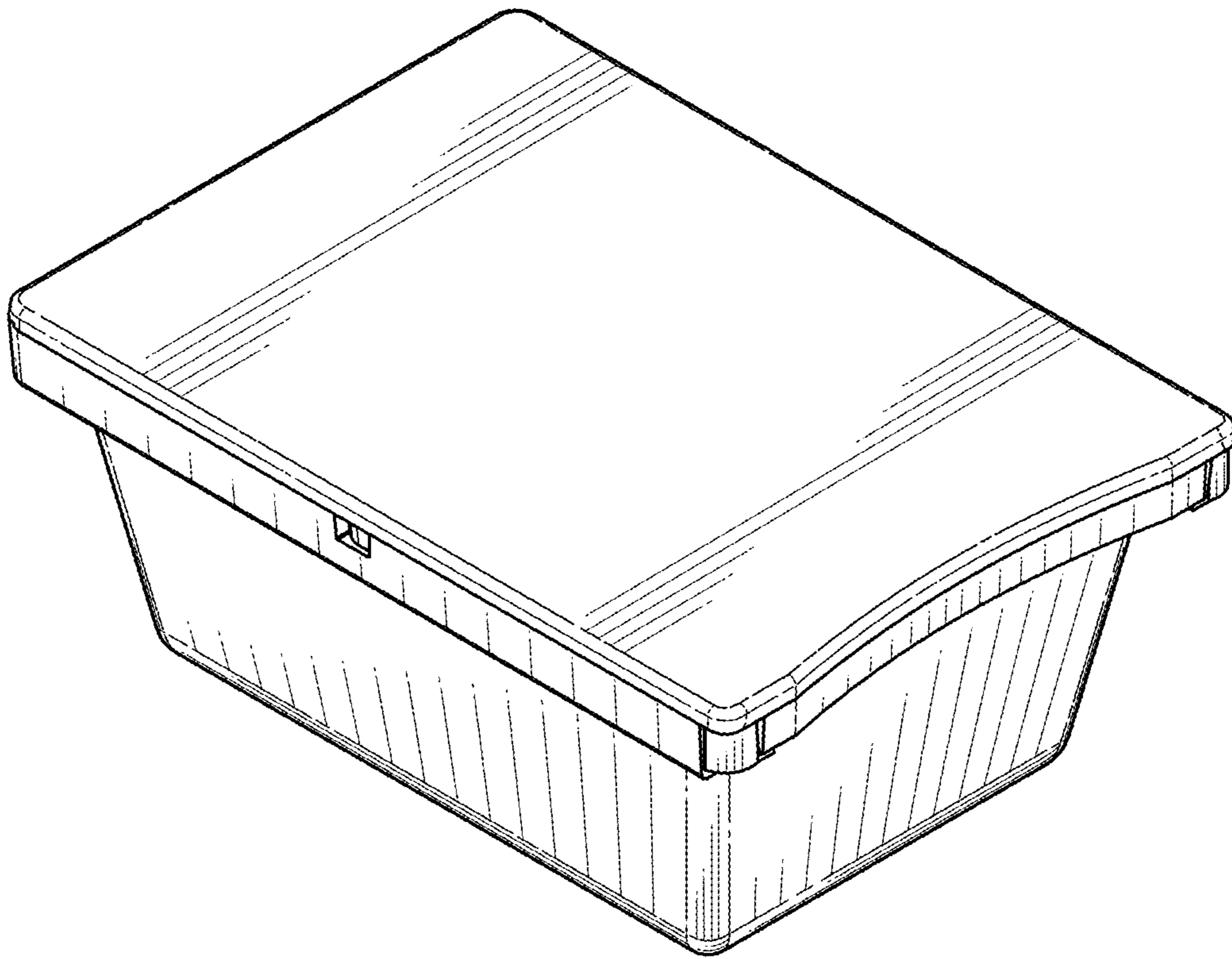


FIG. 1

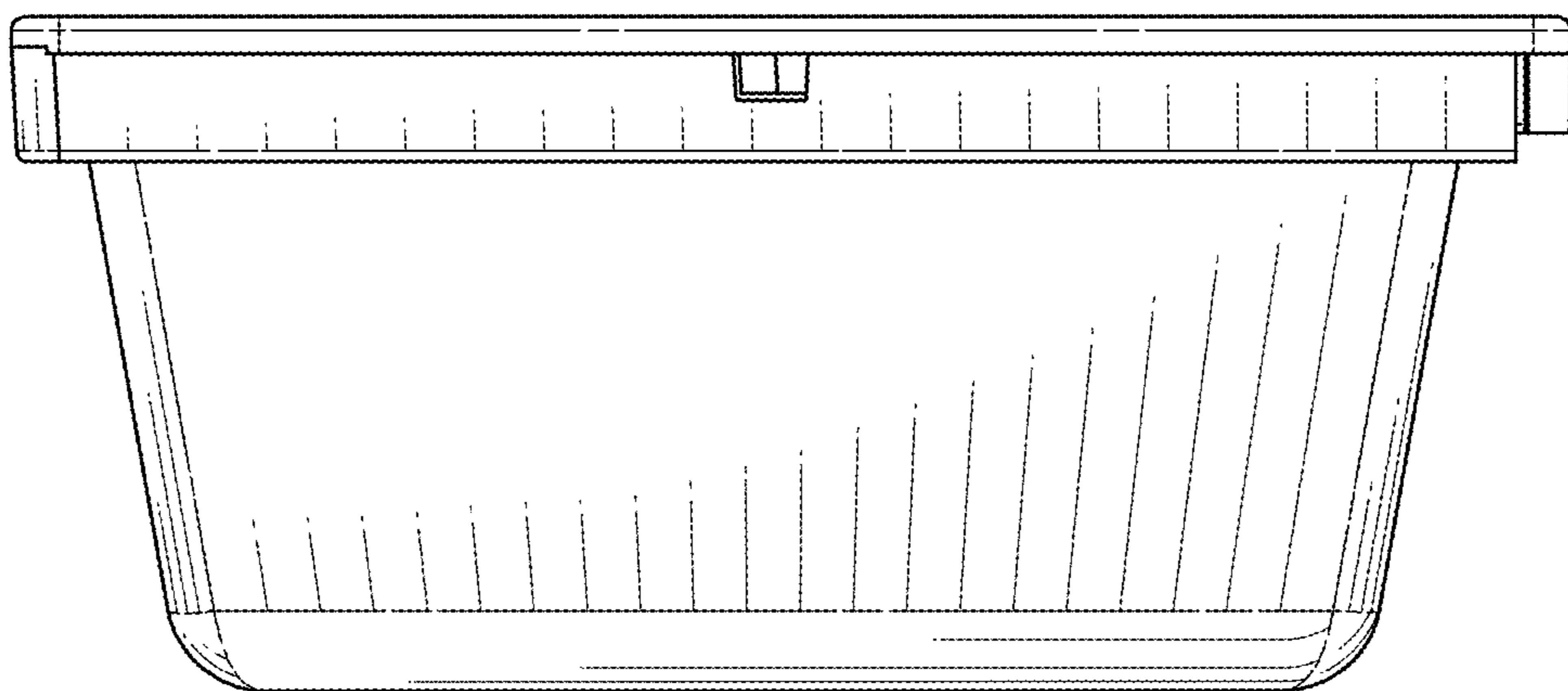


FIG. 2

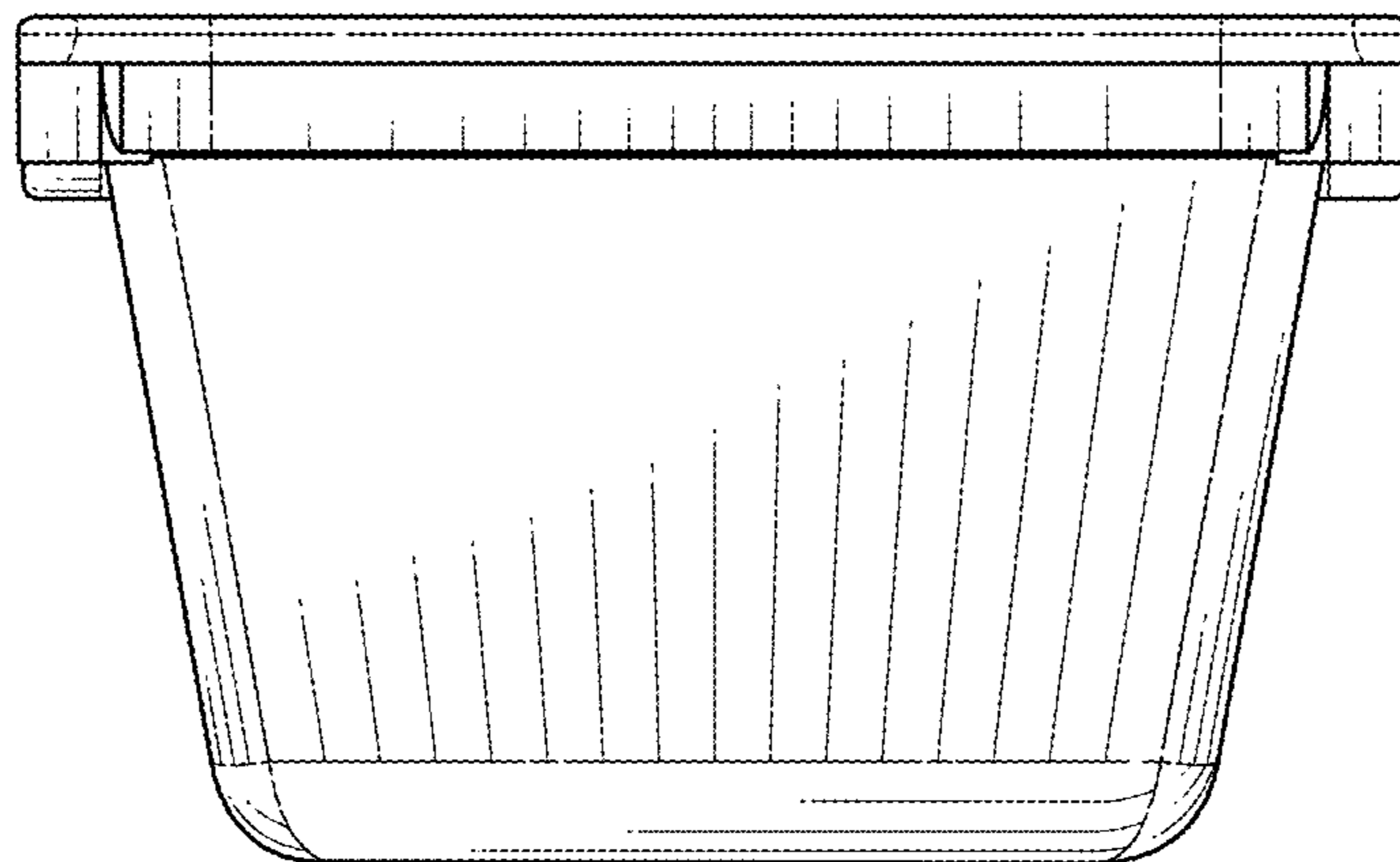


FIG. 3

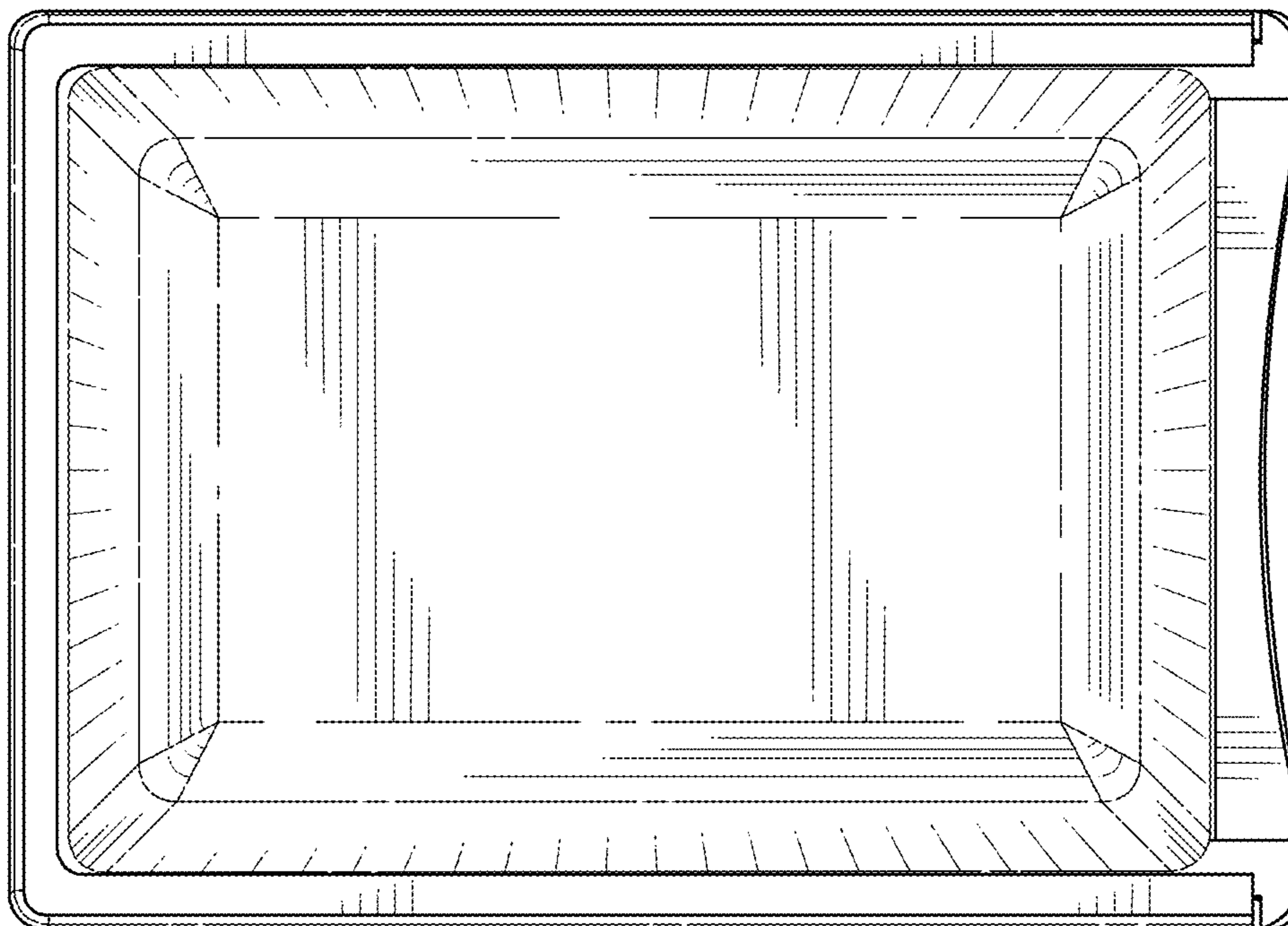


FIG. 4

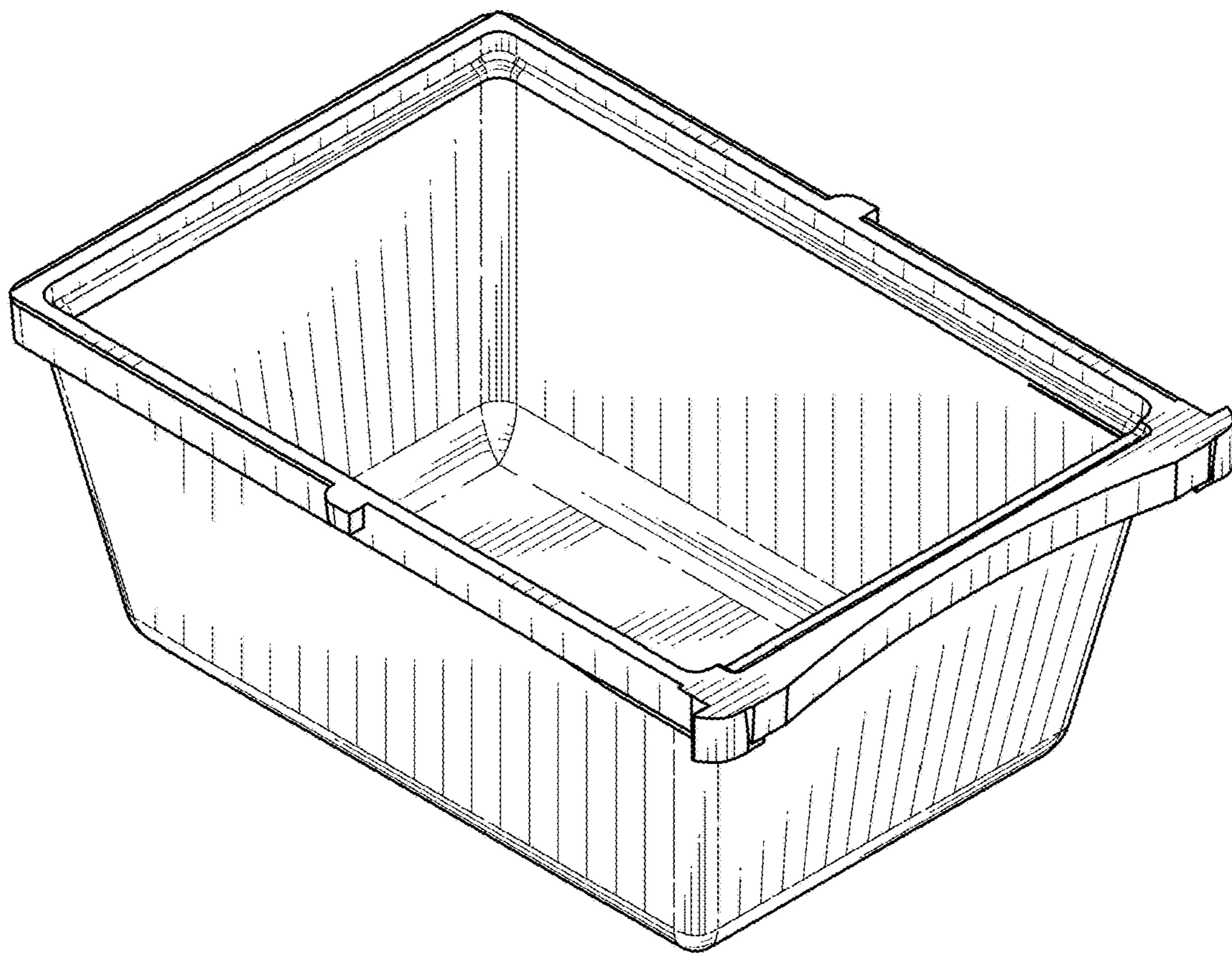


FIG. 5

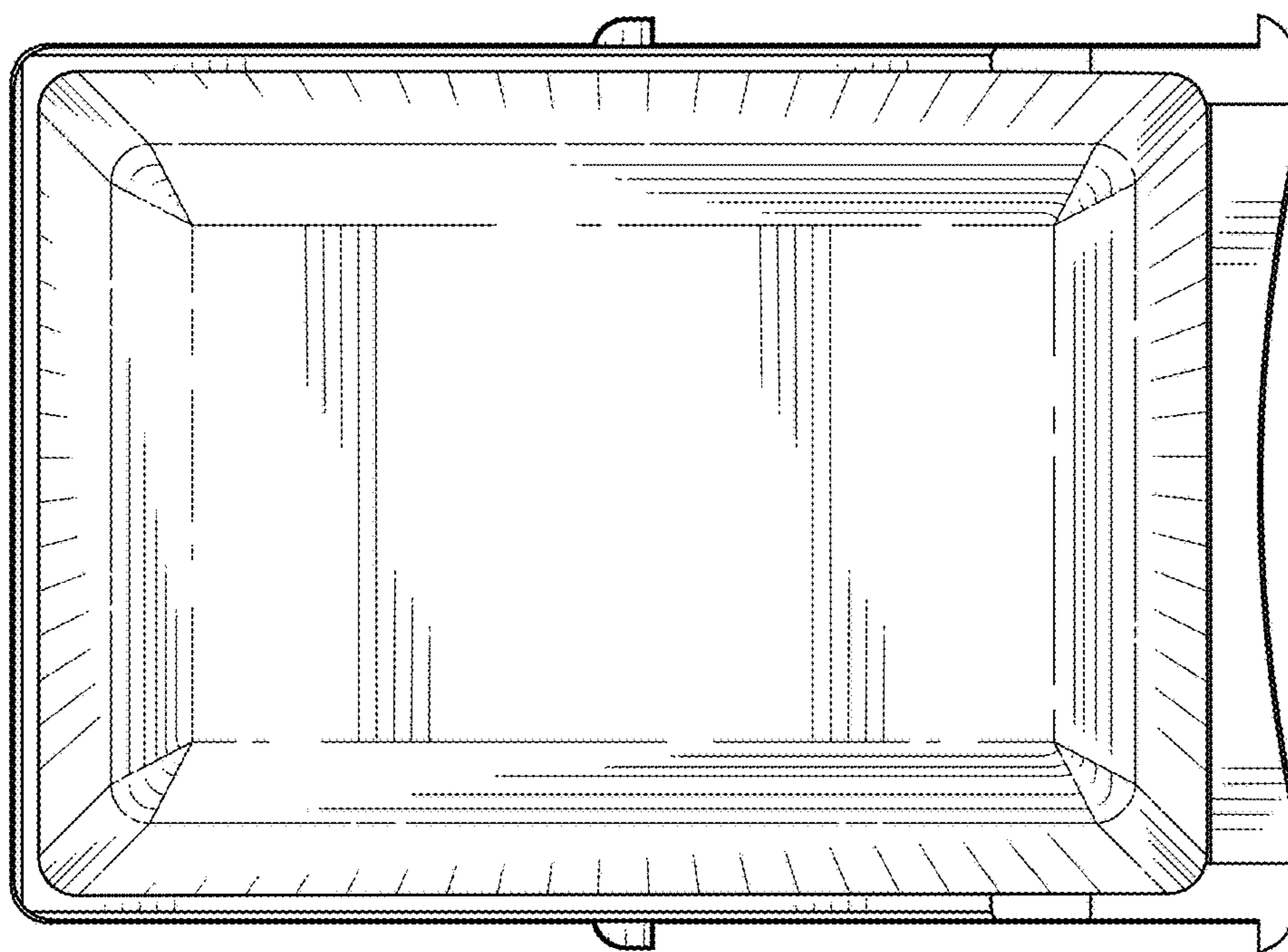


FIG. 6

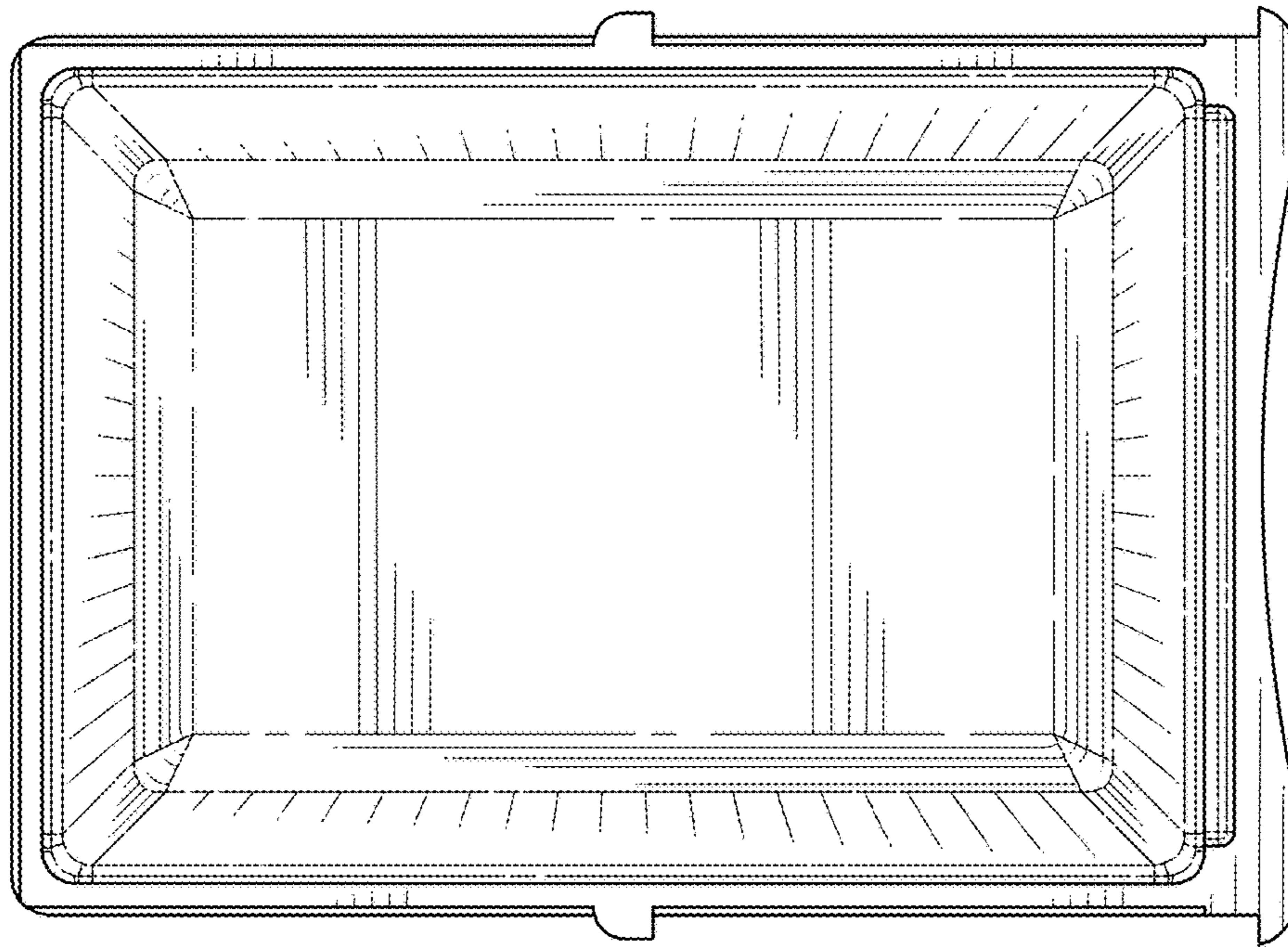


FIG. 7

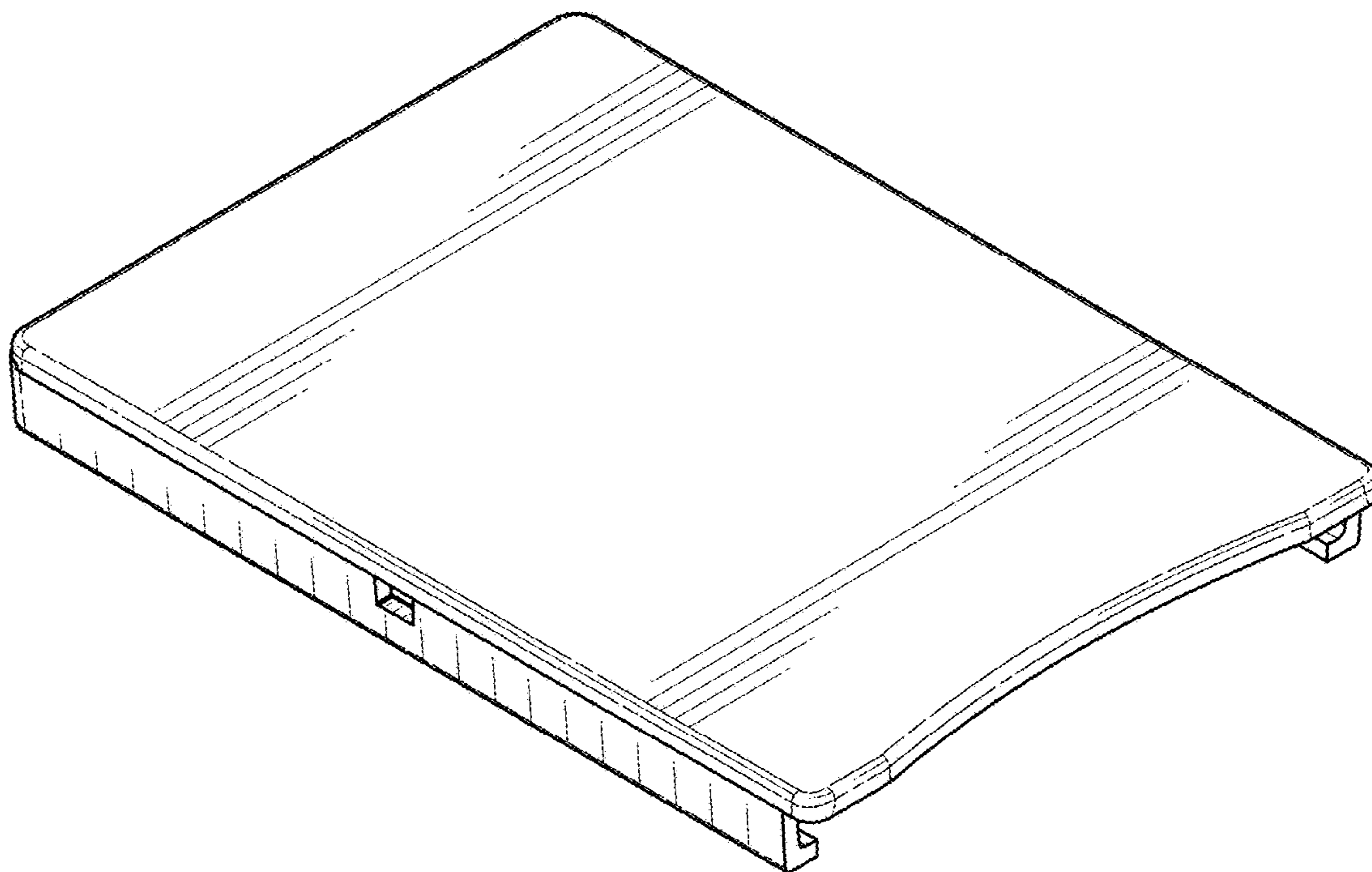


FIG. 8

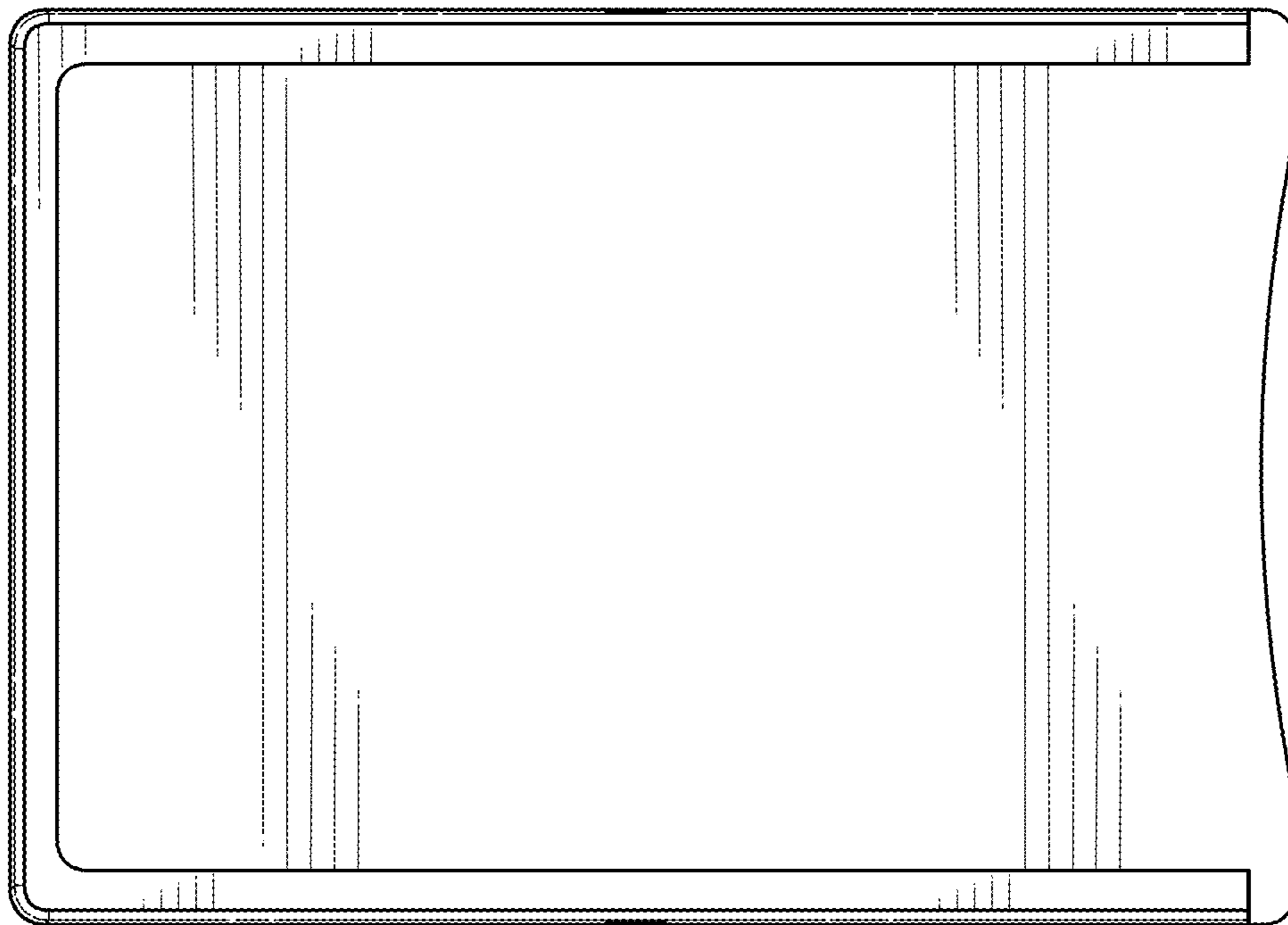


FIG. 9