



US00D856673S

(12) **United States Design Patent** (10) **Patent No.:** **US D856,673 S**
Stirnemann et al. (45) **Date of Patent:** **** Aug. 20, 2019**

(54) **CONTAINER WITH LID**

(71) Applicant: **GEORG UTZ HOLDING AG**,
Bremgarten (CH)

(72) Inventors: **Raphael Stirnemann**, Schenkon (CH);
Bernd Frommherz, Wutoeschingen
(CH)

(73) Assignee: **GEORG UTZ HOLDING AG**,
Bremgarten (CH)

(**) Term: **15 Years**

(21) Appl. No.: **35/504,373**

(22) Filed: **Jan. 11, 2018**

(80) **Hague Agreement Data**

Int. Filing Date: **Jan. 11, 2018**

Int. Reg. No.: **DM/099332**

Int. Reg. Date: **Jan. 11, 2018**

Int. Reg. Pub. Date: **Feb. 2, 2018**

(51) **LOC (12) Cl.** **03-01**

(52) **U.S. Cl.**
USPC **D3/273; D3/294**

(58) **Field of Classification Search**

USPC **D3/225, 273, 274, 275, 276, 281, 292,**
D3/294, 295, 296, 297, 299, 301, 303,

D3/304, 318, 901, 903; D9/418, 420-423

CPC **G09F 1/10; A45C 5/04; A45C 11/16; A61J**
1/00; A45F 15/00; A45F 15/005; A45F
15/02; A45F 15/08; A45F 15/20

See application file for complete search history.

(56) **References Cited**

U.S. PATENT DOCUMENTS

D342,609 S *	12/1993	Brightbill	D3/272
D374,774 S *	10/1996	Cassel	D3/273
D384,502 S *	10/1997	Seager	D3/294
D501,721 S *	2/2005	Zimmerman	D3/273
D513,123 S *	12/2005	Richardson	D3/273
D531,802 S *	11/2006	Zimmerman	D3/302
D566,479 S *	4/2008	Kabalin	D3/273
D701,044 S *	3/2014	Kishimoto	D3/272
D724,320 S *	3/2015	Russell	D3/273
D828,029 S *	9/2018	Seiders	D3/294

* cited by examiner

Primary Examiner — Holly E Thurman

(74) *Attorney, Agent, or Firm* — Henry M. Feiereisen
LLC

(57) **CLAIM**

The ornamental design for a container with lid, as shown and described.

DESCRIPTION

1. Container with lid

1.1 : Perspective

1.2 : Perspective

1.3 : Front

1.4 : Back

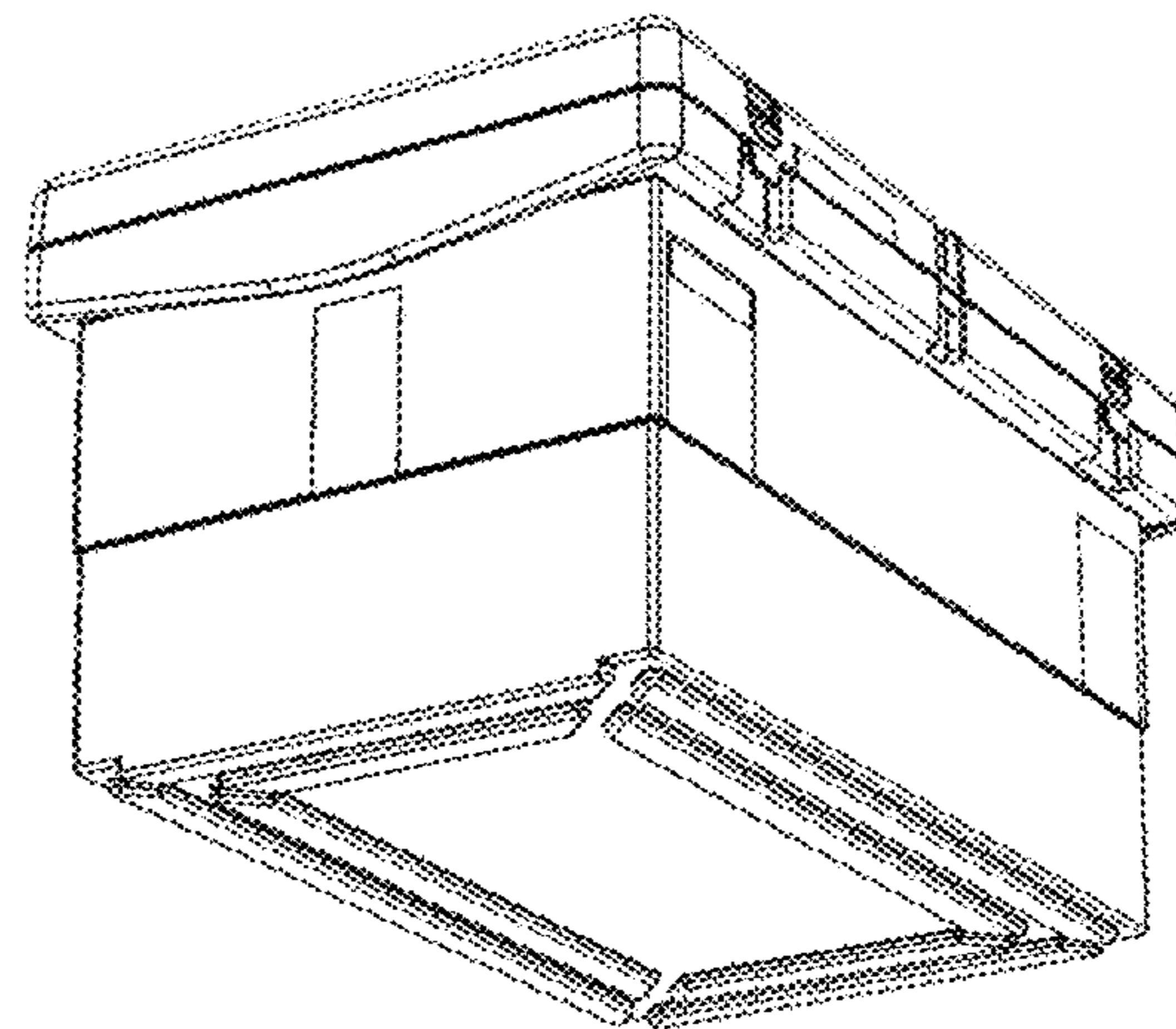
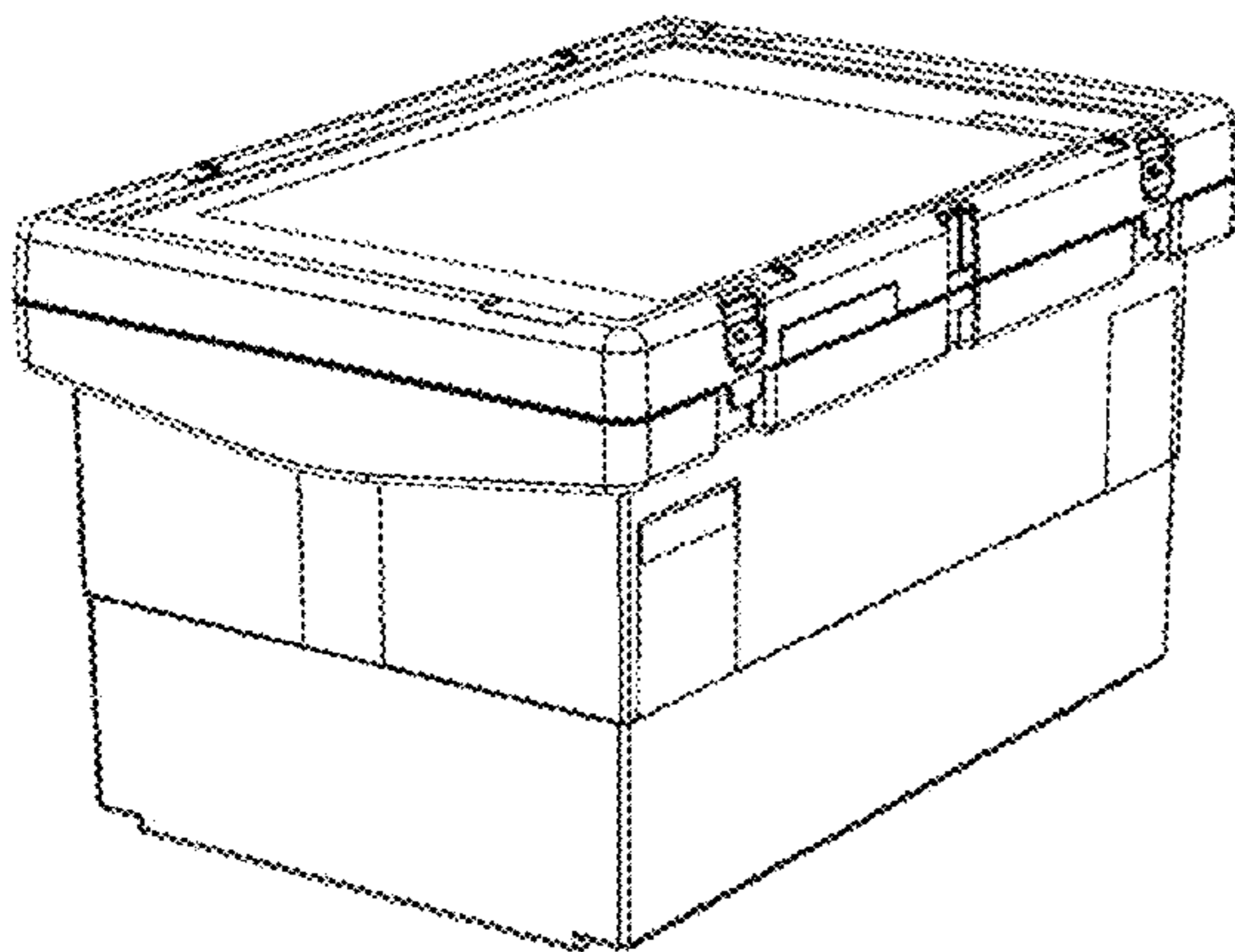
1.5 : Right

1.6 : Left

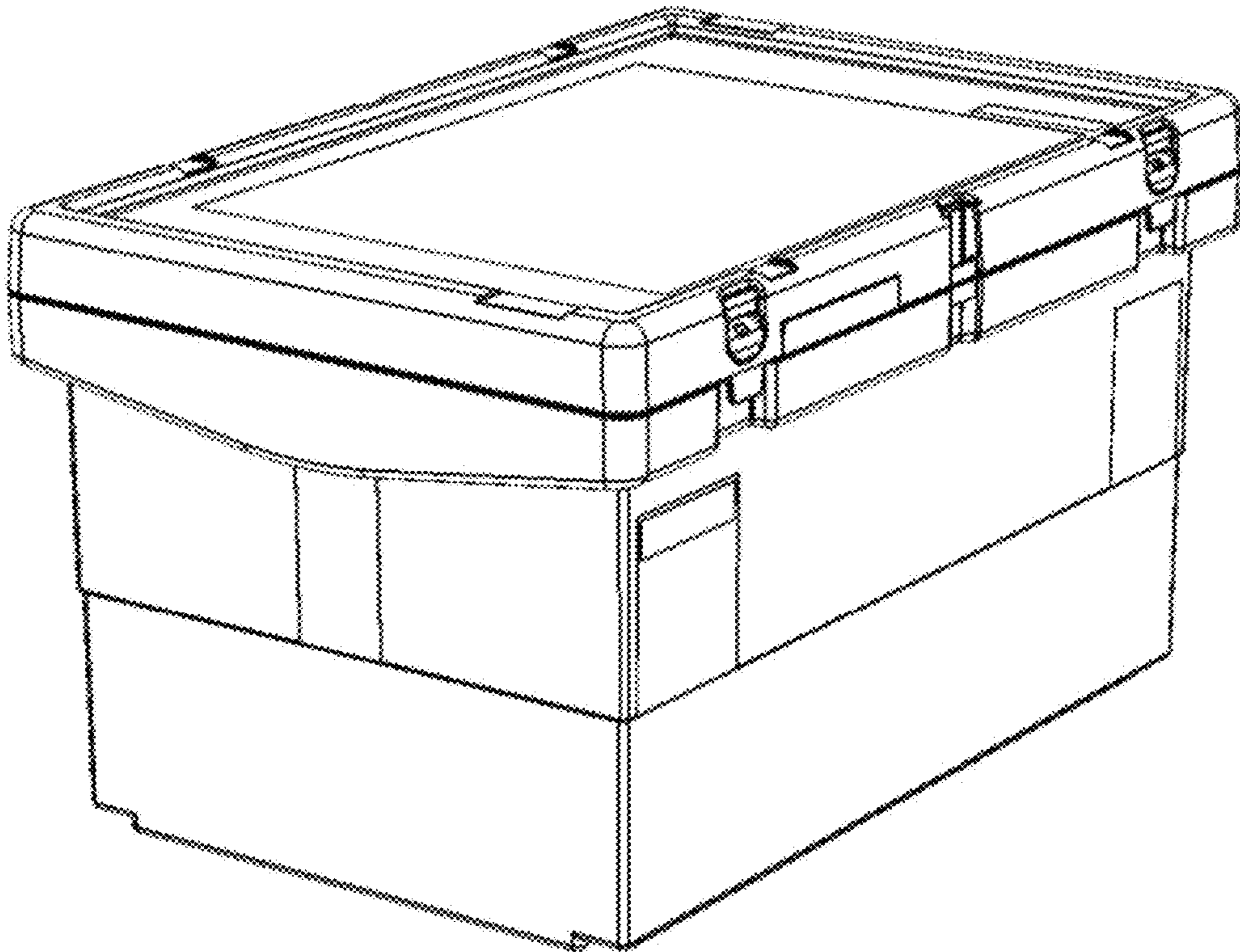
1.7 : Top

1.8 : Bottom

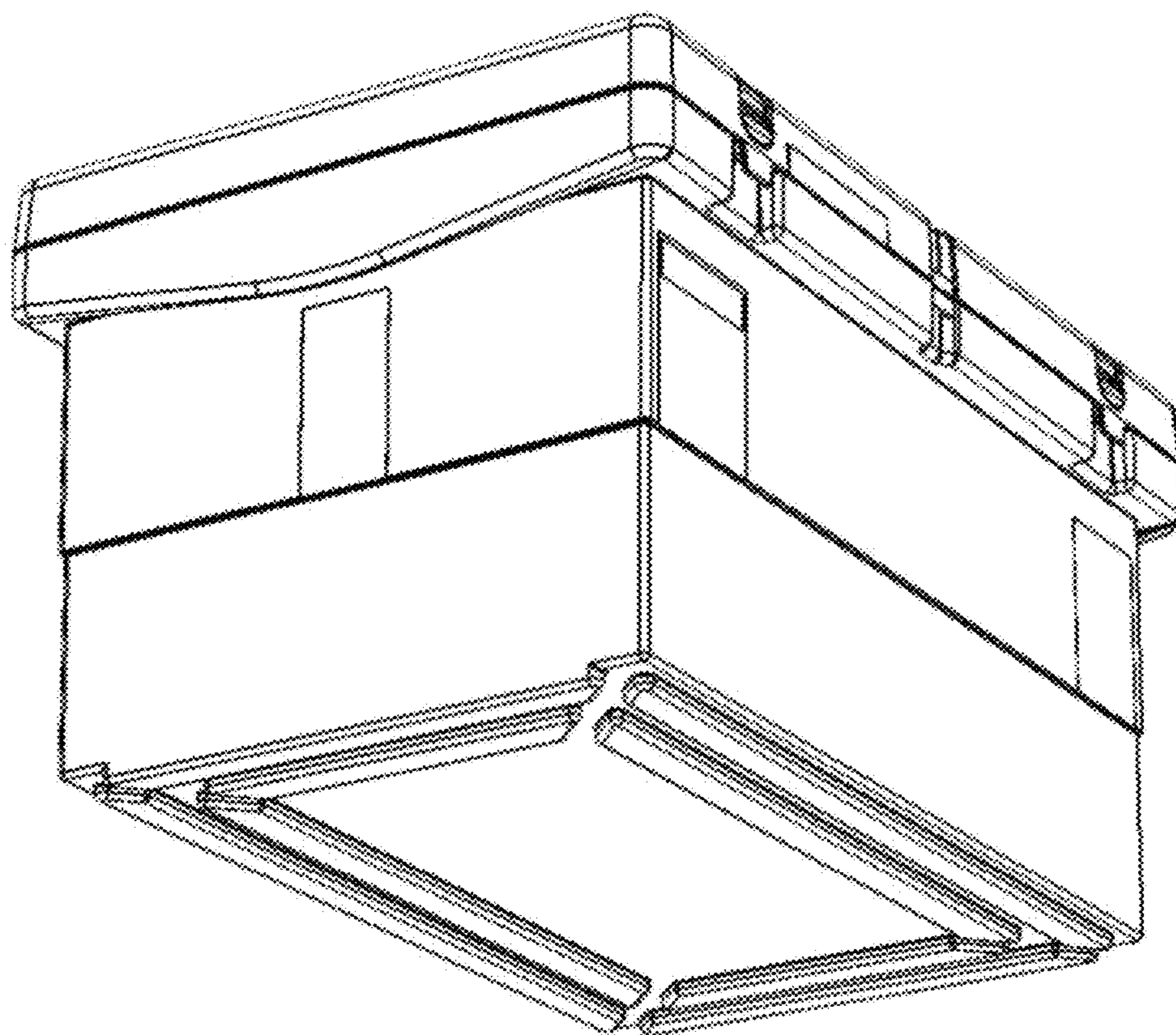
1 Claim, 8 Drawing Sheets



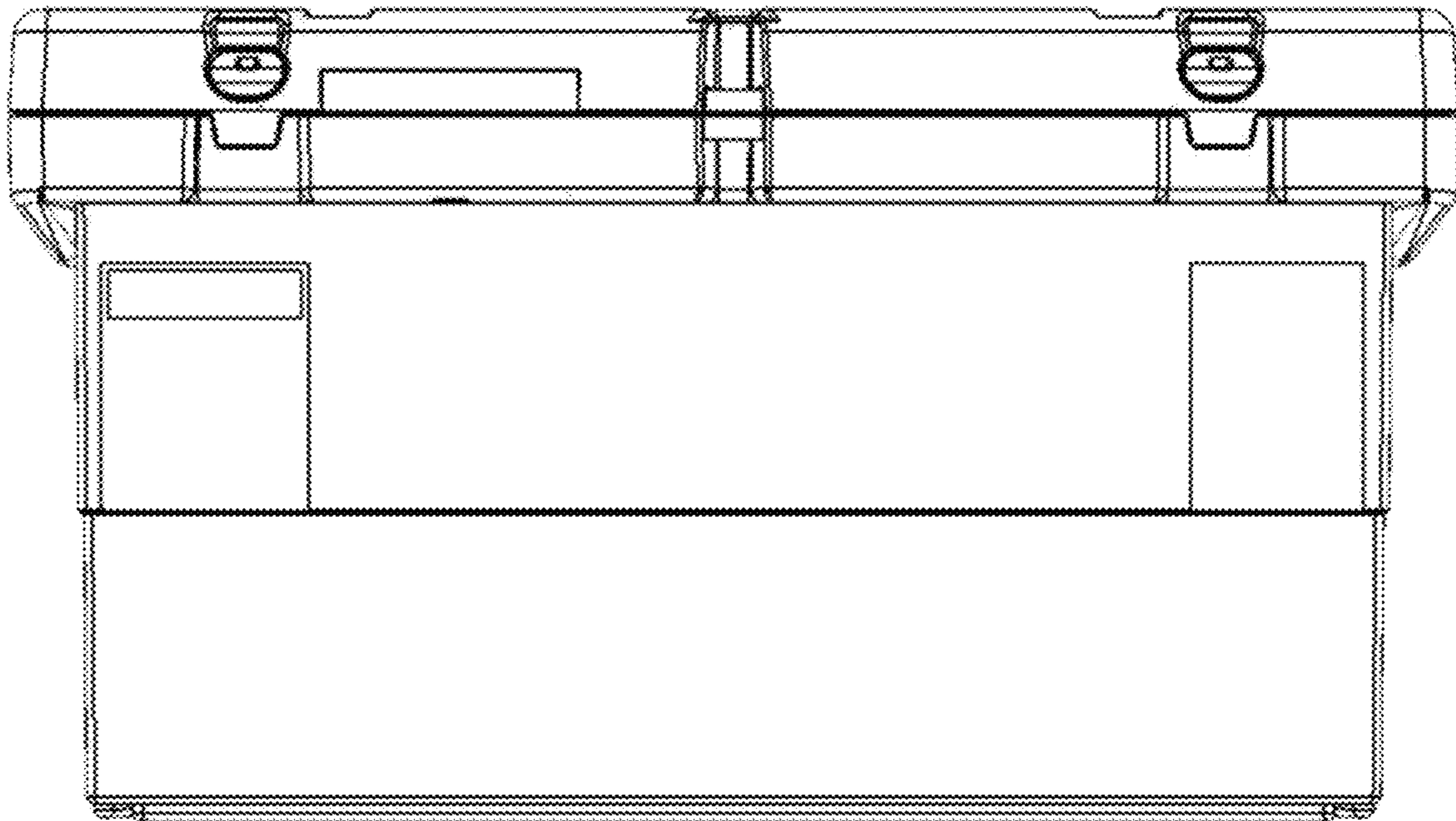
1.1



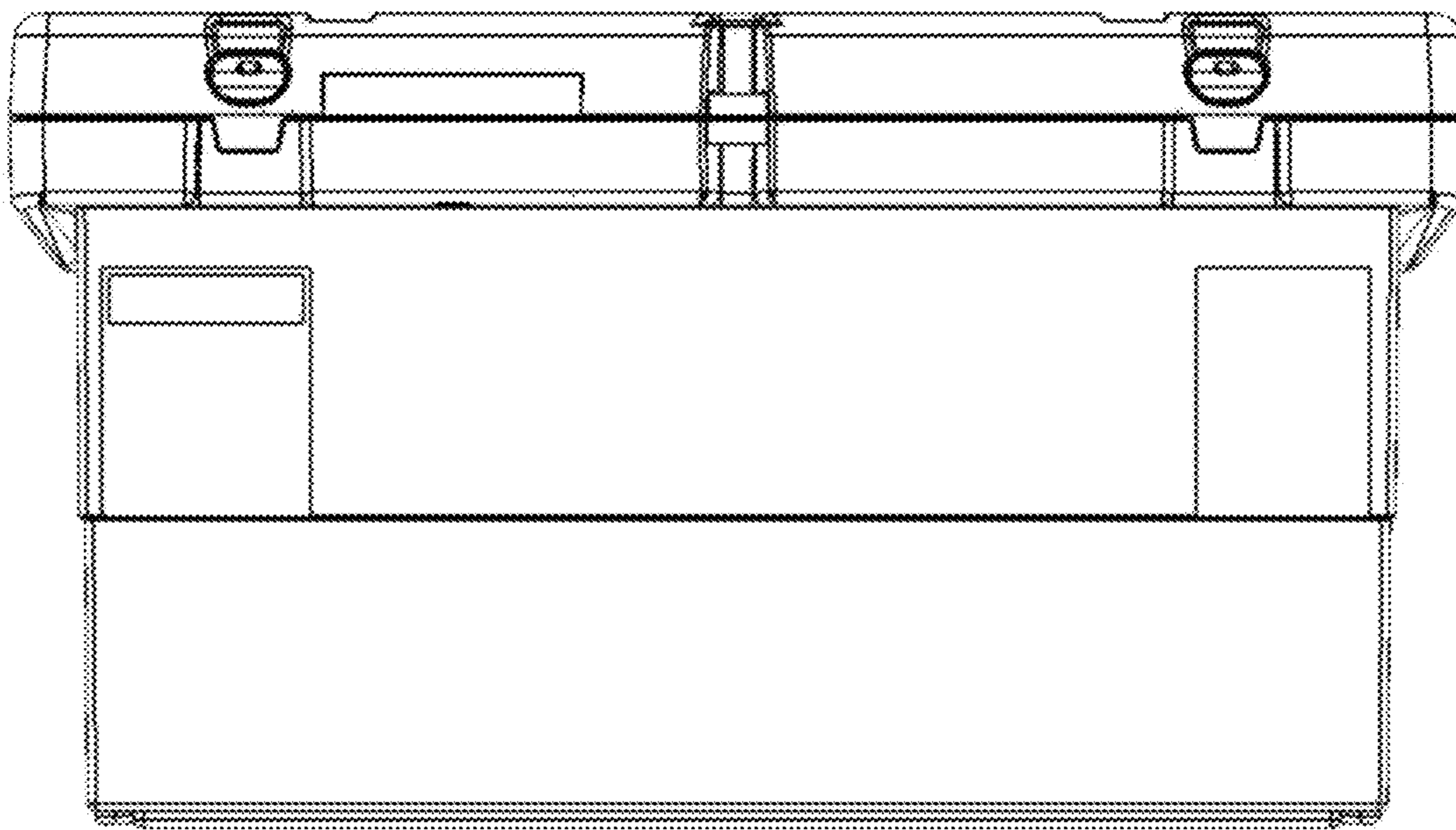
1.2



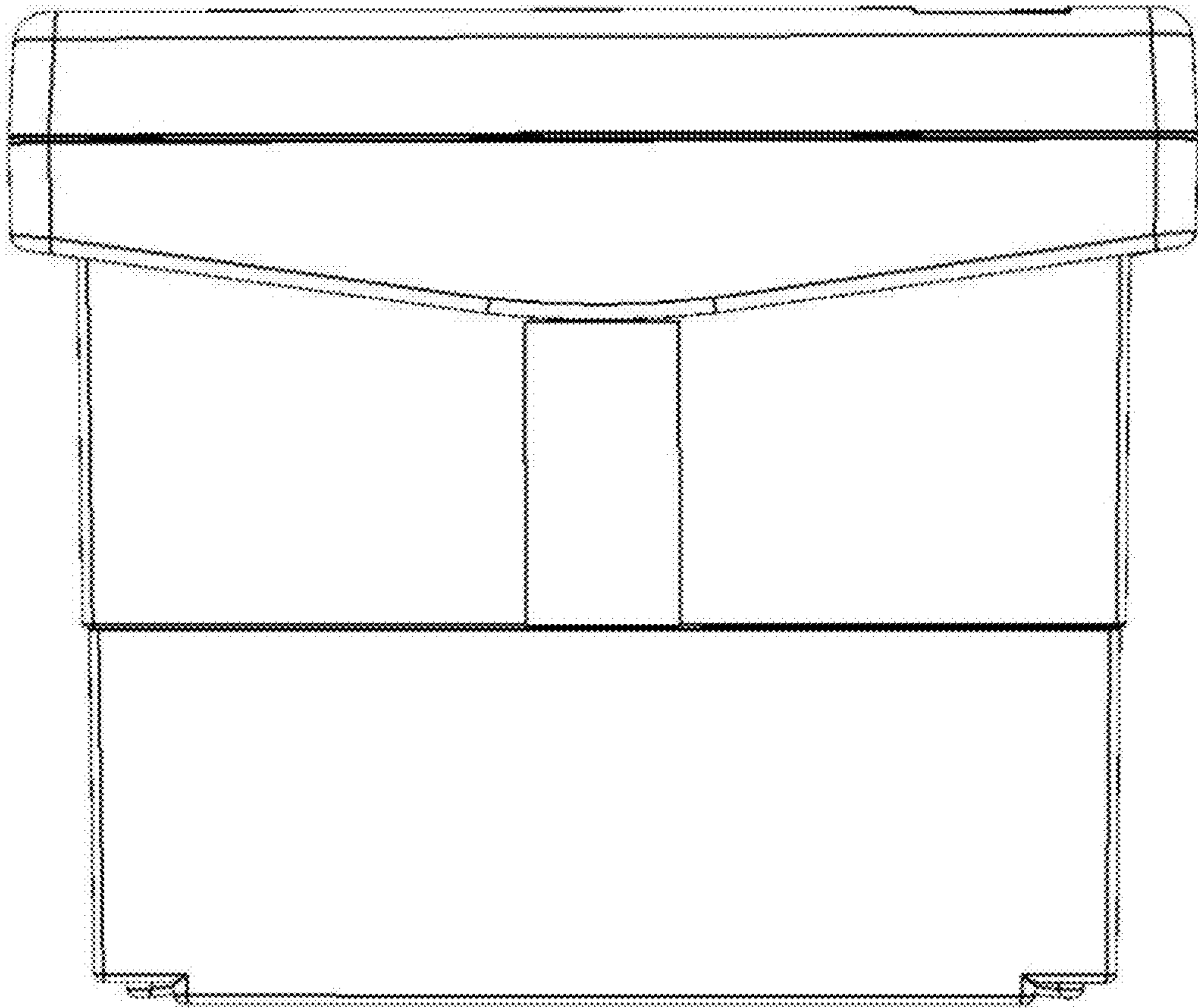
1.3



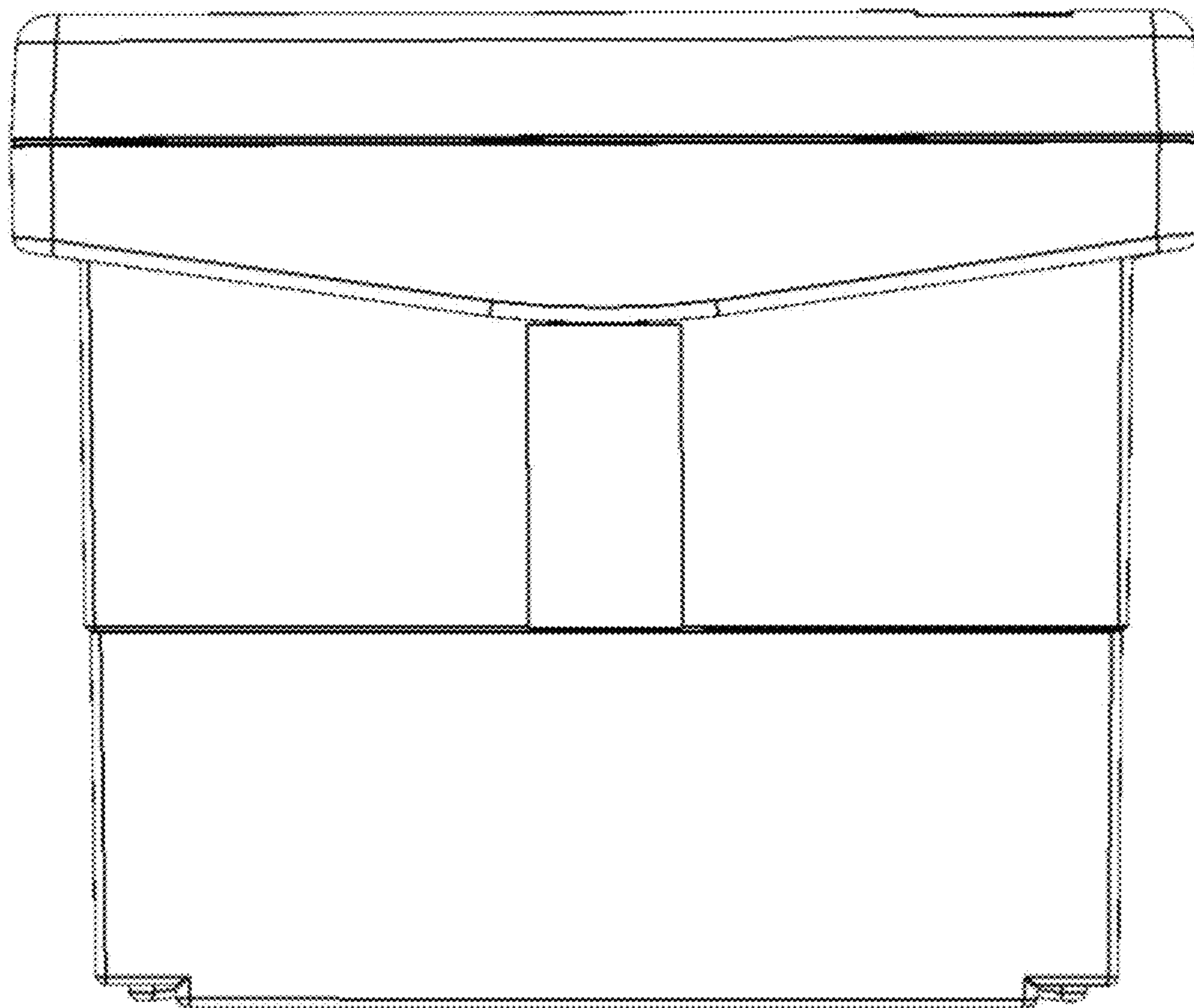
1.4



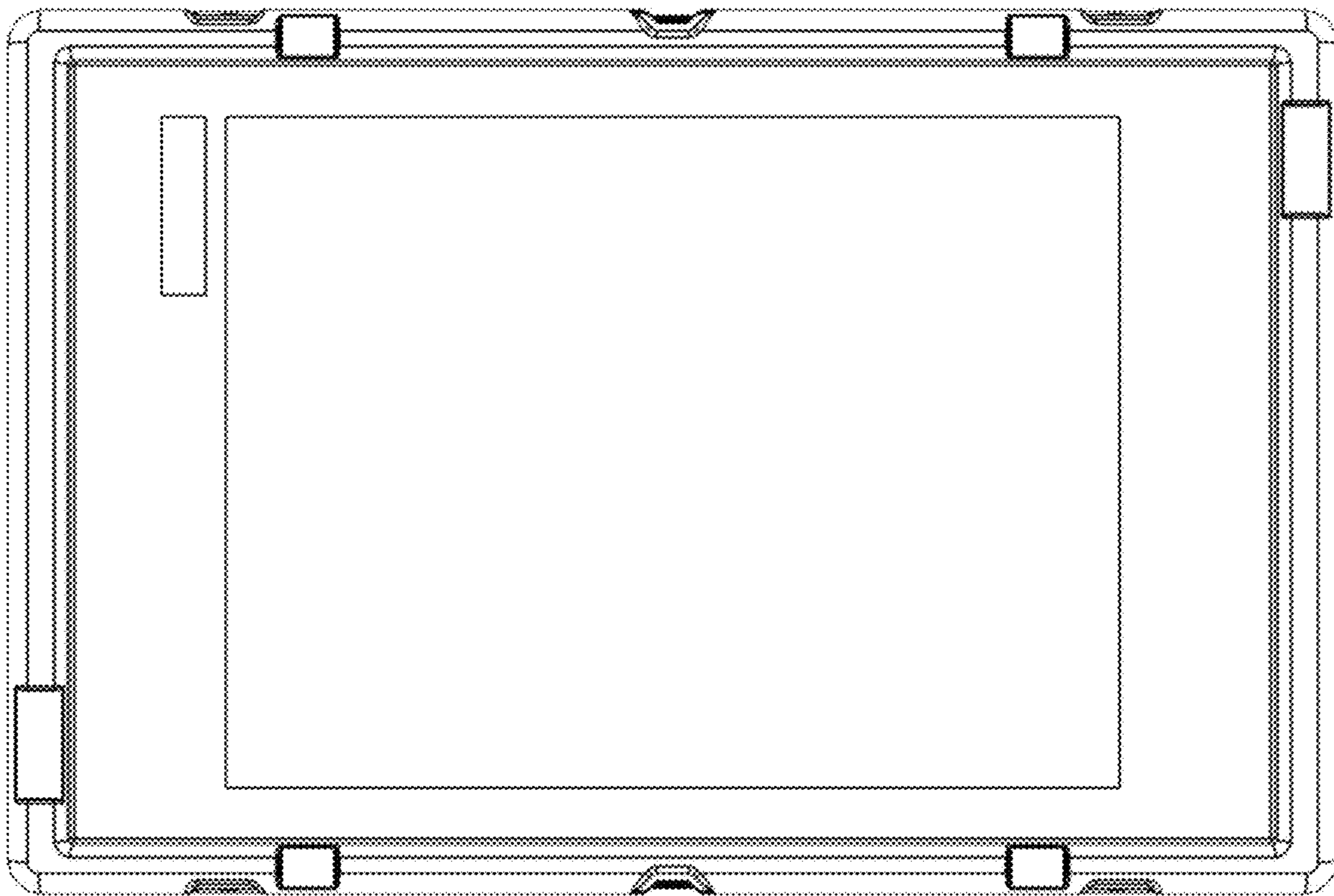
1.5



1.6



1.7



1.8

