



US00D856672S

(12) **United States Design Patent**
Smith

(10) **Patent No.:** **US D856,672 S**

(45) **Date of Patent:** **** Aug. 20, 2019**

(54) **BROOM AND MOP HEAD COVER KIT**

(71) Applicant: **Robbin Smith**, Dallas, TX (US)

(72) Inventor: **Robbin Smith**, Dallas, TX (US)

(**) Term: **15 Years**

(21) Appl. No.: **29/559,866**

(22) Filed: **Mar. 31, 2016**

(51) **LOC (12) Cl.** **03-01**

(52) **U.S. Cl.**
USPC **D3/269**

(58) **Field of Classification Search**
USPC D3/269, 201; D32/50-53; D4/199
CPC A46B 3/00; A46B 3/08
See application file for complete search history.

(56) **References Cited**

U.S. PATENT DOCUMENTS

D161,844	S *	2/1951	Kreuter et al.	206/8
2,709,824	A	6/1955	Hall		
2,820,685	A *	1/1958	Bergholt	A47L 13/51 206/361
2,942,287	A	6/1960	Parmet		
3,380,504	A	4/1968	Green		
3,462,790	A	8/1969	Lingle		
3,860,115	A	1/1975	Laske		
D268,790	S	4/1983	Hicks		
D310,901	S *	9/1990	Paciullo	D32/40
5,042,105	A	8/1991	Buck et al.		
5,455,980	A *	10/1995	Buchanan	A47L 13/24 15/147.2
D402,808	S *	12/1998	Deloach	D3/269
6,389,637	B1 *	5/2002	Hurell	A47L 13/20 15/228
D583,520	S	12/2008	White		

D605,852	S *	12/2009	Yusufov	D3/269
D610,347	S *	2/2010	Gilbert	D3/269
D759,925	S *	6/2016	Martens	D32/50
2008/0169052	A1 *	7/2008	Tannijarvi	A47L 13/20 150/154

* cited by examiner

Primary Examiner — Holly E Thurman

(57) **CLAIM**

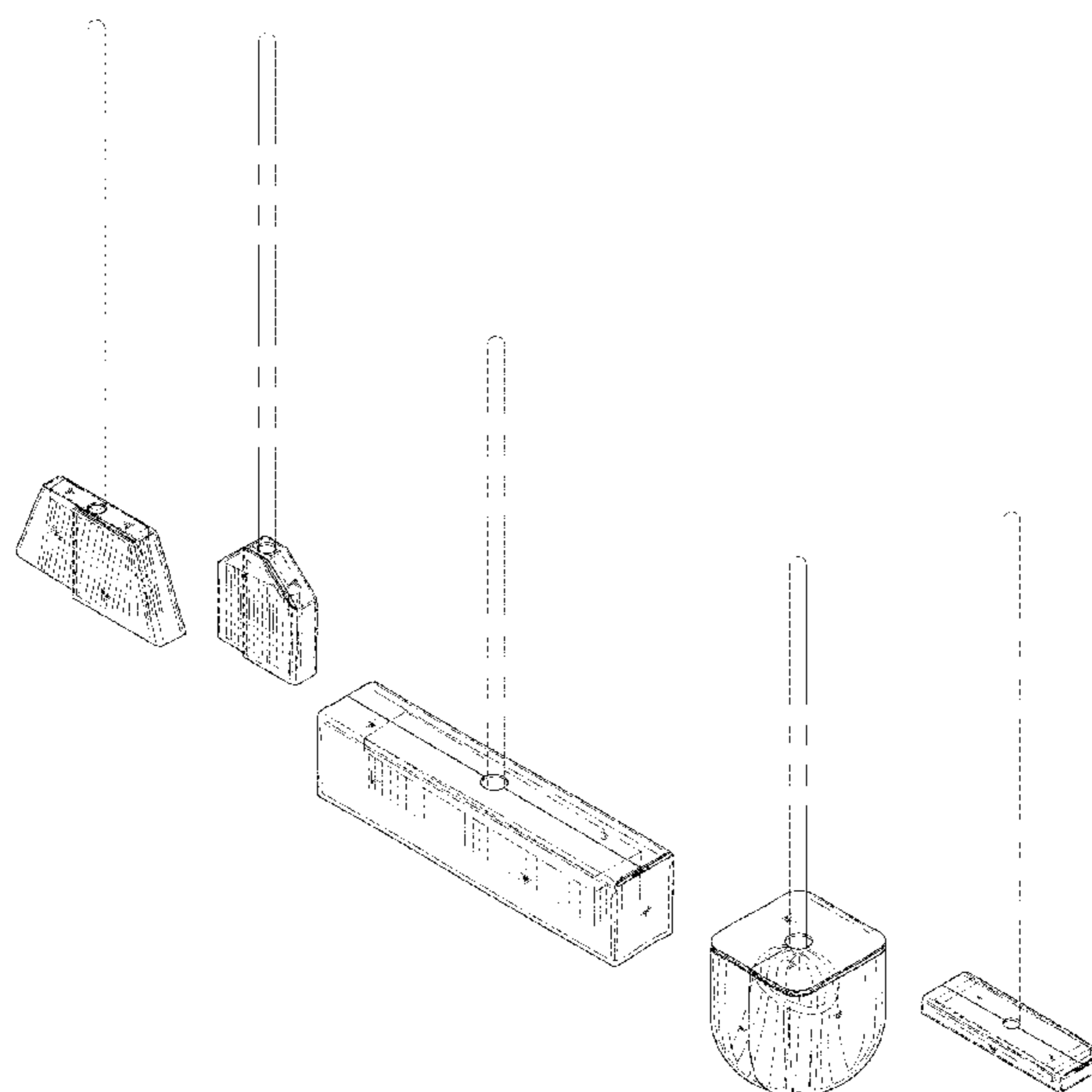
The ornamental design for a broom and mop head cover kit, as shown and described.

DESCRIPTION

FIG. 1 is a front elevation view of a broom and mop head cover kit showing the new design, with a first mop head cover, a second mop head cover, a first broom head cover, a second broom head cover, and a third broom head cover shown in a first orientation;
 FIG. 2 is a rear elevation view thereof;
 FIG. 3 is a right side elevation view, the opposite side being a mirror image, thereof;
 FIG. 4 is a top plan view thereof;
 FIG. 5 is a bottom plan view thereof; and,
 FIG. 6 is an isometric view shown in a second orientation thereof.

The evenly spaced pattern of broken line in FIGS. 1 and 6 depicts stitching and forms part of the claimed design. The crisscross pattern of lines in the figures represents material that is understood to be distributed uniformly over the surface of the broom and mop head cover kit. The dot-dot-dash broken lines in FIG. 6 depict environmental subject matter forming no part of the claimed design. The broken lines in FIGS. 1 through 6 indicating connection surfaces form no part of the claimed design.

1 Claim, 6 Drawing Sheets



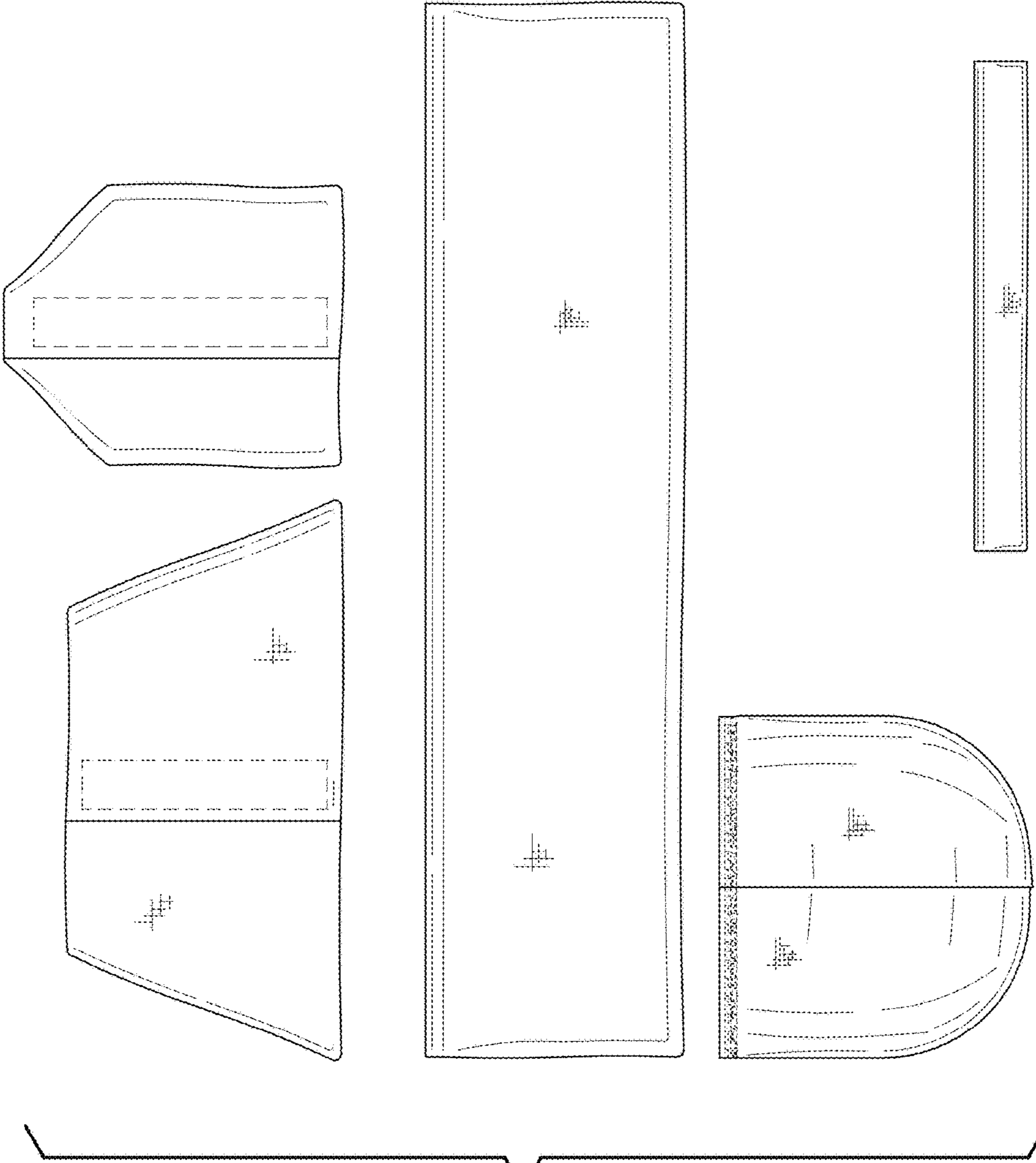


FIG. 1

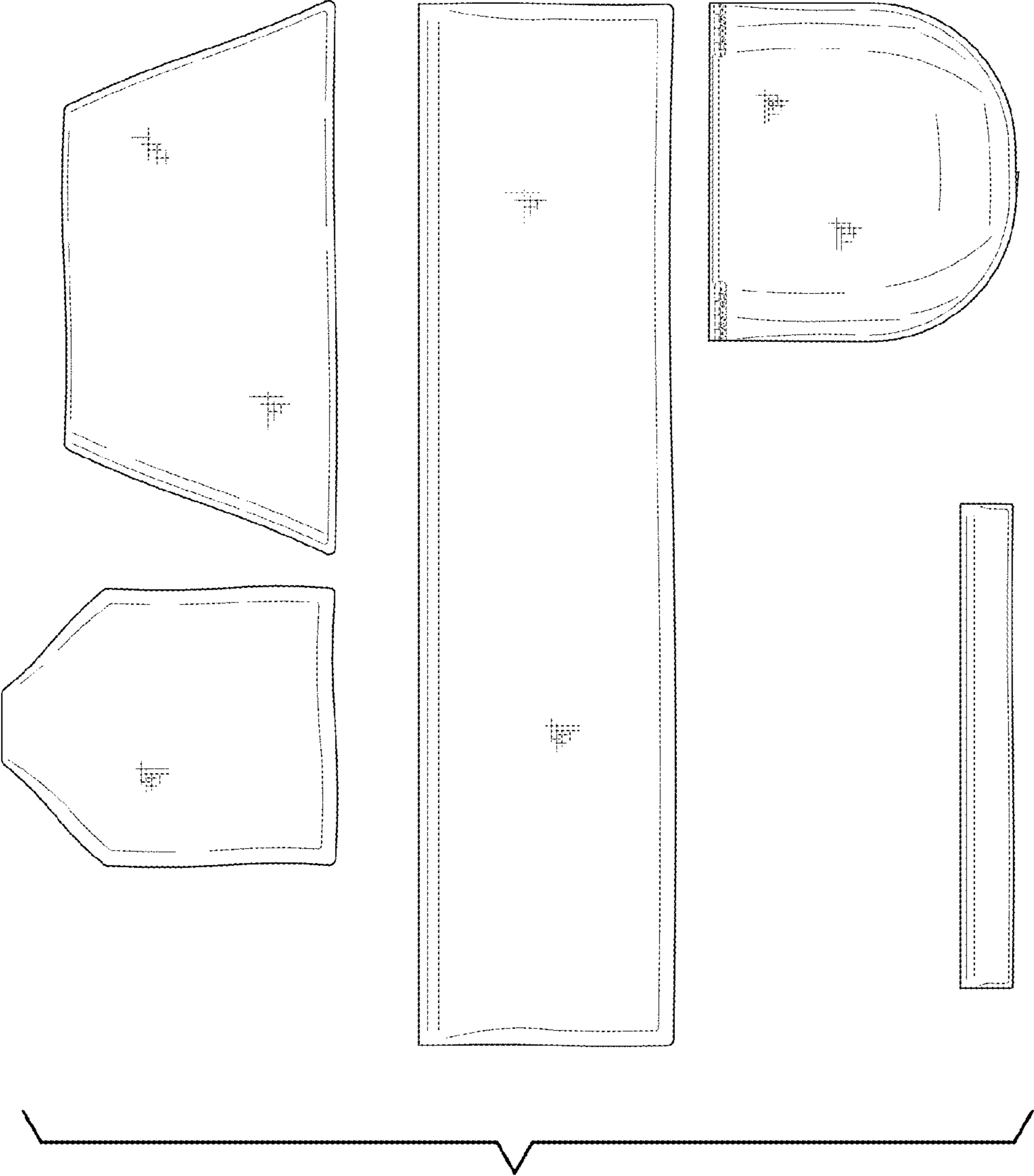


FIG. 2

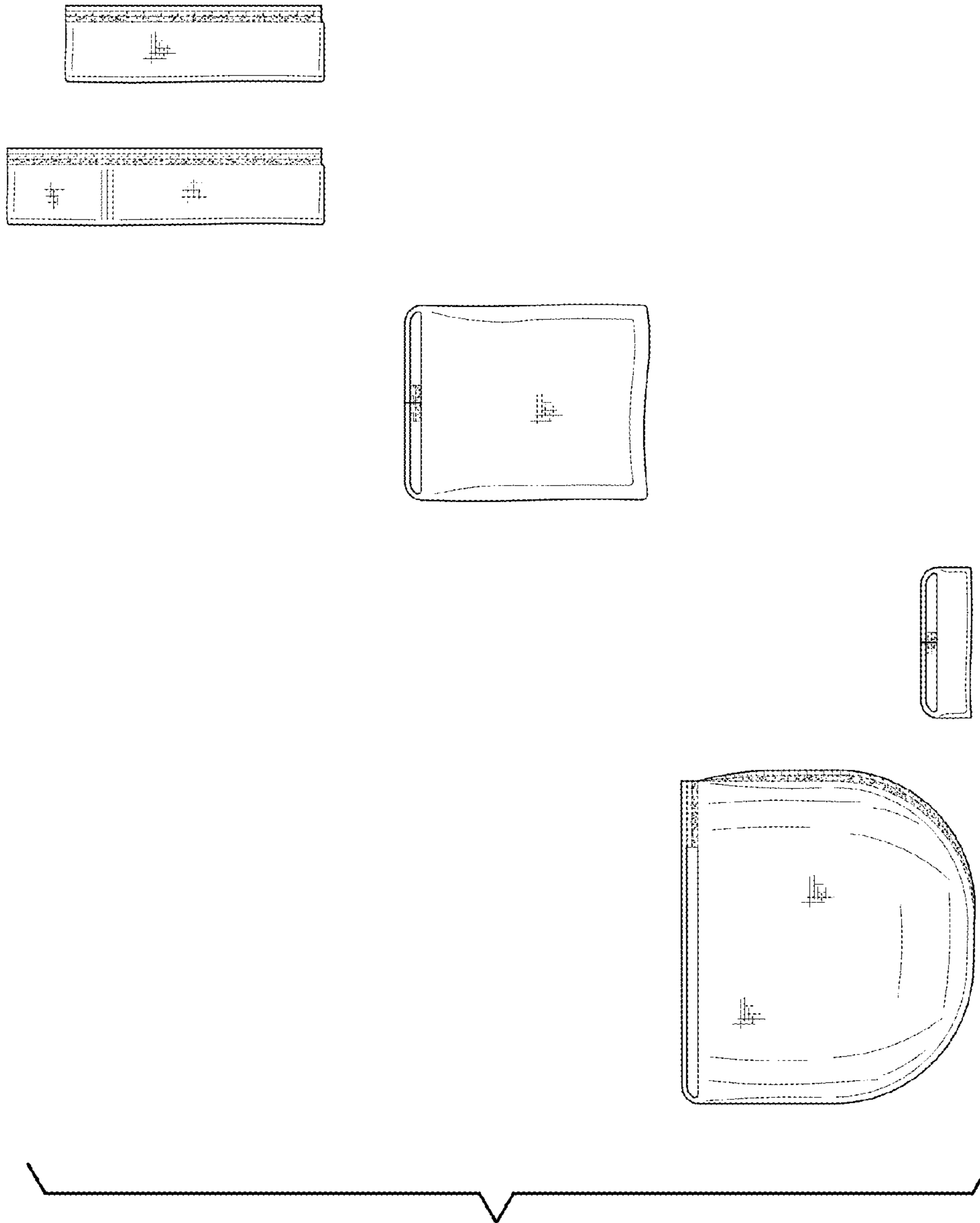


FIG. 3

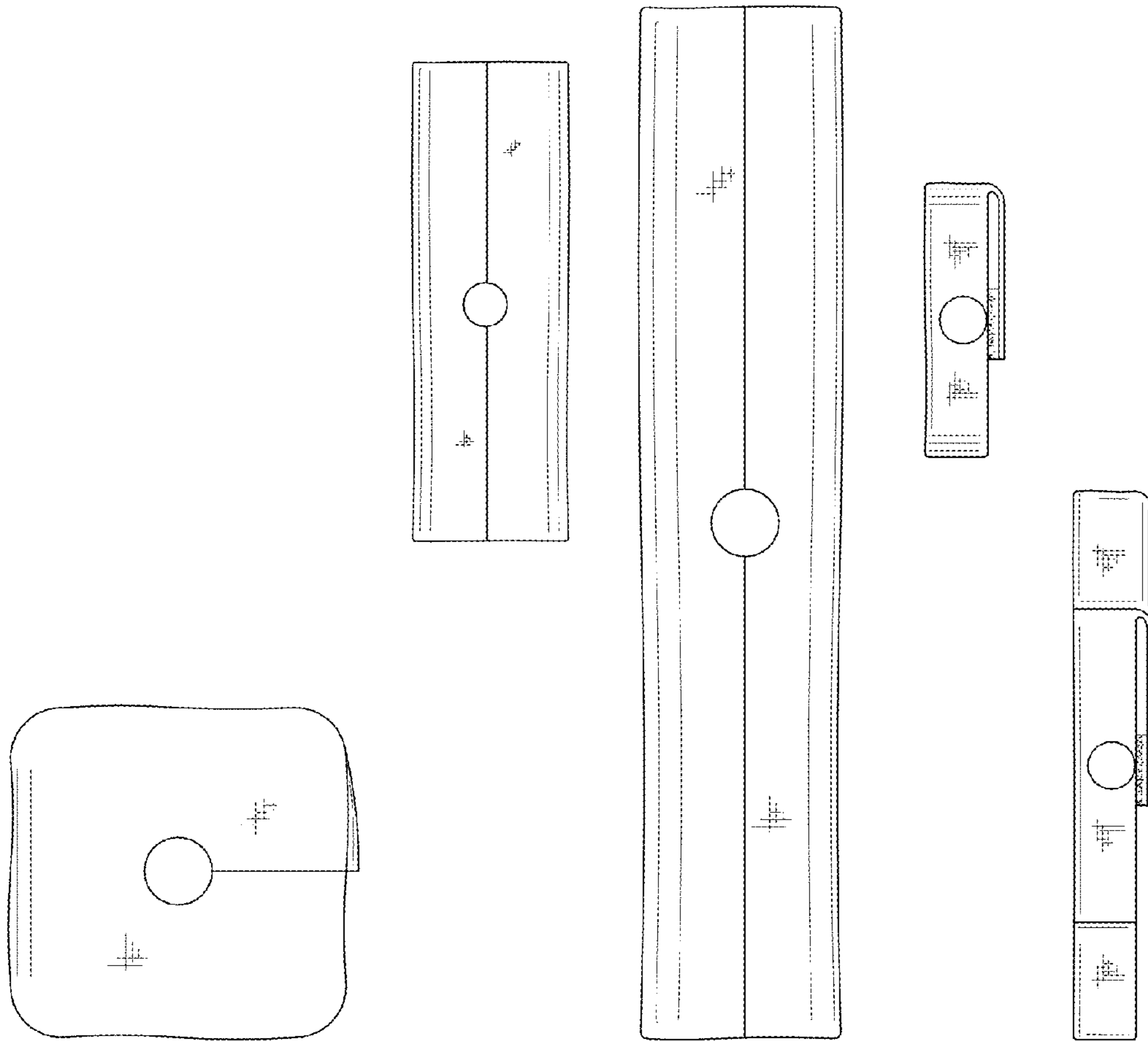


FIG. 4

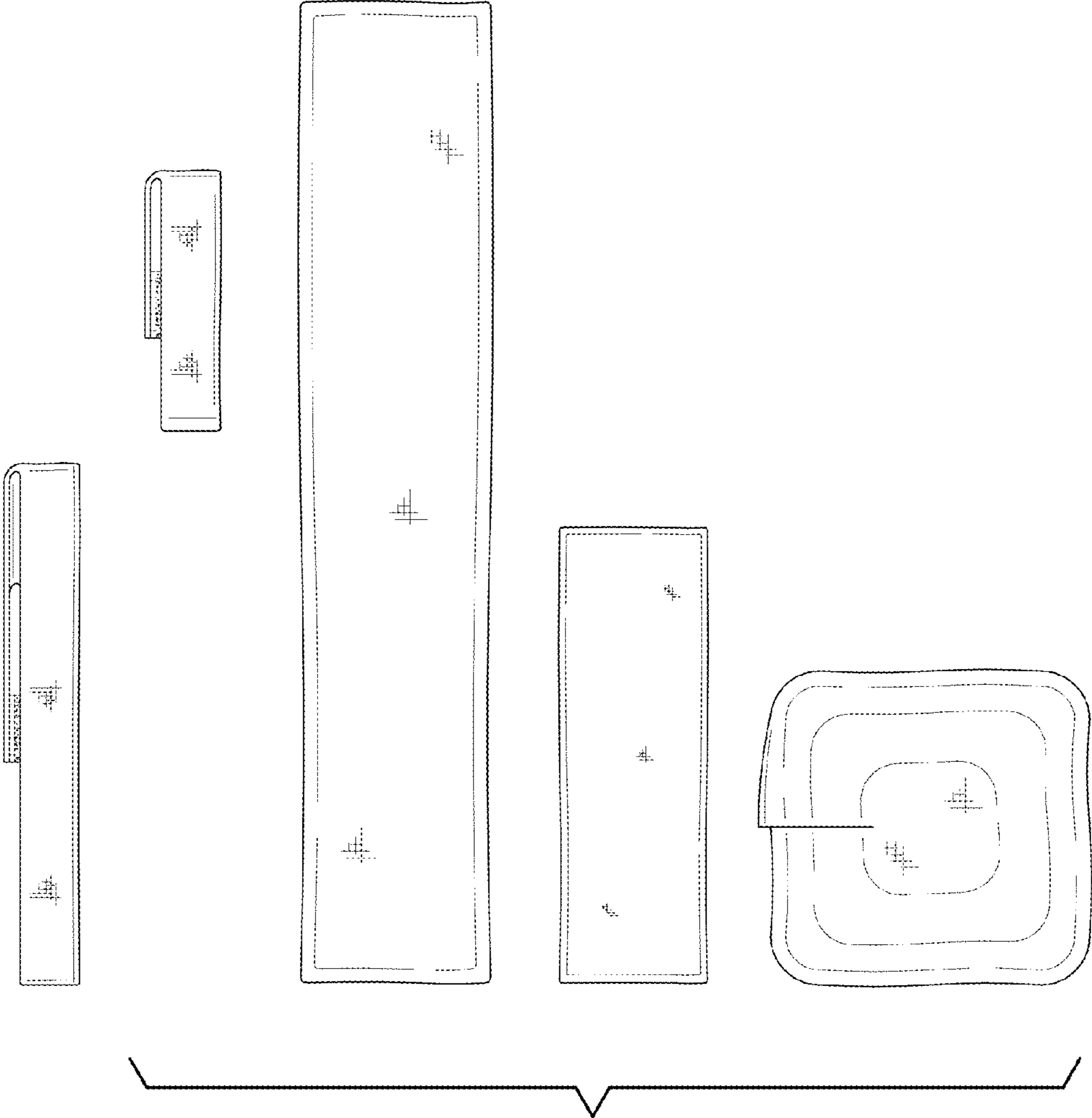


FIG. 5

