



US00D856671S

(12) **United States Design Patent** (10) **Patent No.:** **US D856,671 S**
Li (45) **Date of Patent:** **** Aug. 20, 2019**

(54) **WALLET COMBINED WITH PHONE CASE**

(71) Applicant: **Huifeng Li**, Hong Kong (HK)

(72) Inventor: **Huifeng Li**, Hong Kong (HK)

(**) Term: **15 Years**

(21) Appl. No.: **29/599,834**

(22) Filed: **Apr. 7, 2017**

(51) **LOC (12) Cl.** **03-01**

(52) **U.S. Cl.**
USPC **D3/249; D14/250**

(58) **Field of Classification Search**
USPC D3/273, 274, 276, 277, 285, 289, 301,
D3/901, 905, 902, 205, 280, 203.1, 203.6,
D3/226, 227, 232, 246, 247, 249, 251,
D3/254, 287; D14/250, 252
CPC B25H 3/00; B25H 3/006; B25H 3/021;
B25H 3/02; A45C 7/0077; A45C 7/00;
A45C 11/00; A45C 11/26; A45C
2001/065; A45C 2011/002; A47G 25/54
See application file for complete search history.

(56) **References Cited**

U.S. PATENT DOCUMENTS

D356,886 S *	4/1995	Kopel	D3/233
D426,703 S *	6/2000	Kojoori	D3/247
D729,522 S *	5/2015	Kim	D3/218
D762,615 S *	8/2016	Kim	D14/203.4
D777,421 S *	1/2017	Grote	D14/250
D779,472 S *	2/2017	Lee	D14/250
D779,474 S *	2/2017	Kim	D14/250
D793,725 S *	8/2017	Zhang	D3/249
D793,726 S *	8/2017	Zhang	D3/249
D794,952 S *	8/2017	Feng	D3/247
D822,989 S *	7/2018	Persson	D3/249

OTHER PUBLICATIONS

Amazon, "ULAK iPhone 8 Case,iPhone 7 Case . . .", First on sale Aug. 18, 2016. (<https://www.amazon.co.uk/dp/B01KLYR318/>) (Year: 2016).*

Amazon, "for Apple iPhone 8 Plus & 7 Plus Leather Case [Two Layer Multiple Purse]. . .", Accessed Nov. 1, 2018. (<https://www.amazon.com/dp/B07FF79DRS/>) (Year: 2018).*

Amazon, "iPhone XS MAX Case, iPhone XS MAX Phone Case, Eutekcoo Premium . . .", First on sale Sep. 13, 2018. (<https://www.amazon.co.uk/Eutekcoo-Premium-Detachable-Magnetic-Kickstand-Black/dp/B07H9VVG2W/>) (Year: 2018).*

* cited by examiner

Primary Examiner — Jennifer Rivard

Assistant Examiner — April Rivas

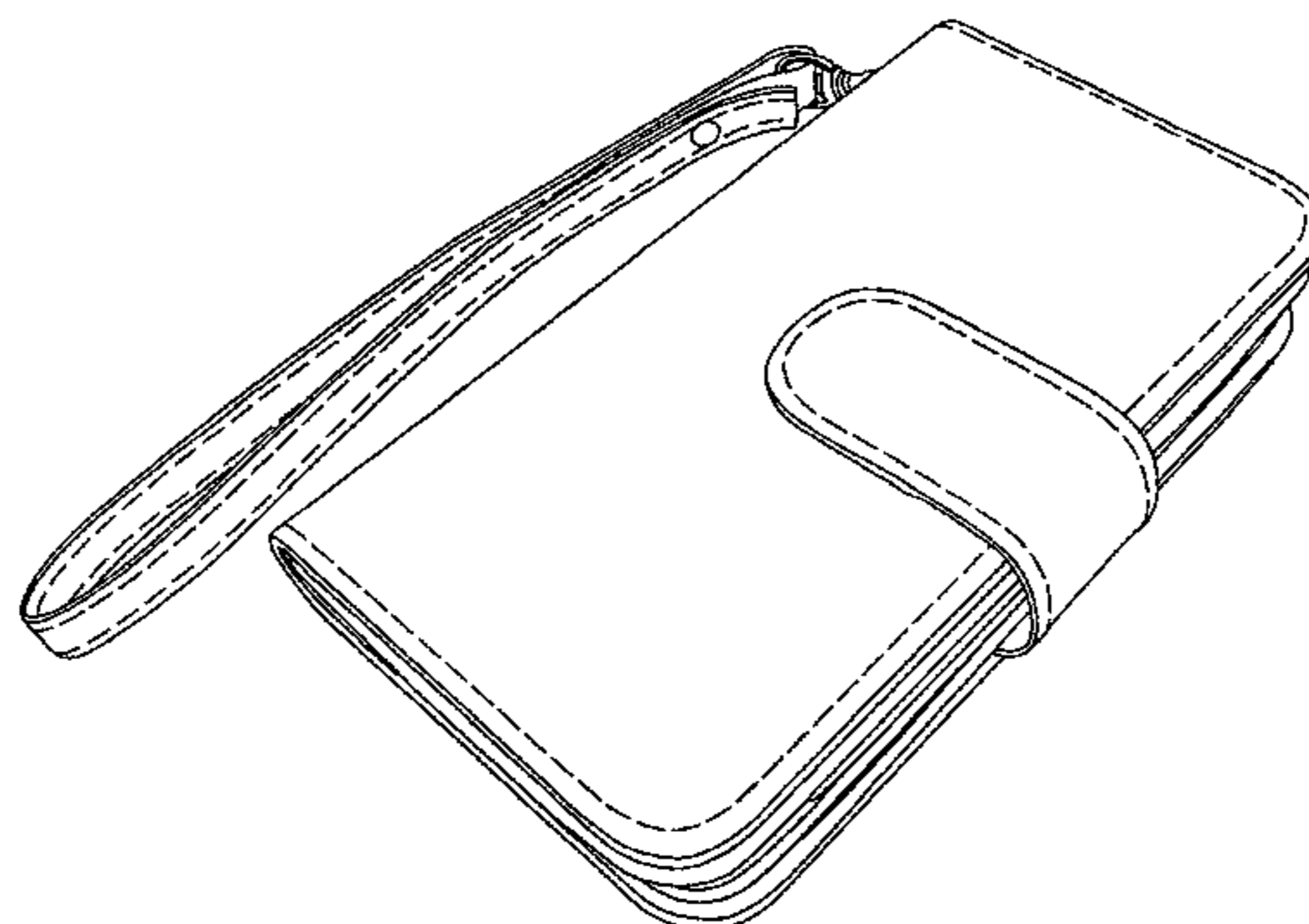
(57) **CLAIM**

The ornamental design for wallet combined with phone case, as shown and described.

DESCRIPTION

FIG. 1 is a front plan view thereof;
FIG. 2 is a back plan view thereof;
FIG. 3 is a left plan view thereof;
FIG. 4 is a right plan view thereof;
FIG. 5 is a top plan view thereof;
FIG. 6 is a bottom plan view thereof;
FIG. 7 is a perspective view thereof, illustrated in a folded position;
FIG. 8 is a perspective view thereof, illustrated in an unfolded position showing the front half of the interior;
FIG. 9 is a perspective view thereof, illustrated in an unfolded position showing the front half of the interior;
FIG. 10 is a perspective view thereof, illustrated in an unfolded position showing the back half of the interior;
FIG. 11 is an exploded view of FIG. 10, showing the front view of the phone case; and,
FIG. 12 is an exploded view of FIG. 10, showing the back view of the phone case.
The broken lines in the figures illustrate stitching and form no part of the claimed design.

1 Claim, 12 Drawing Sheets



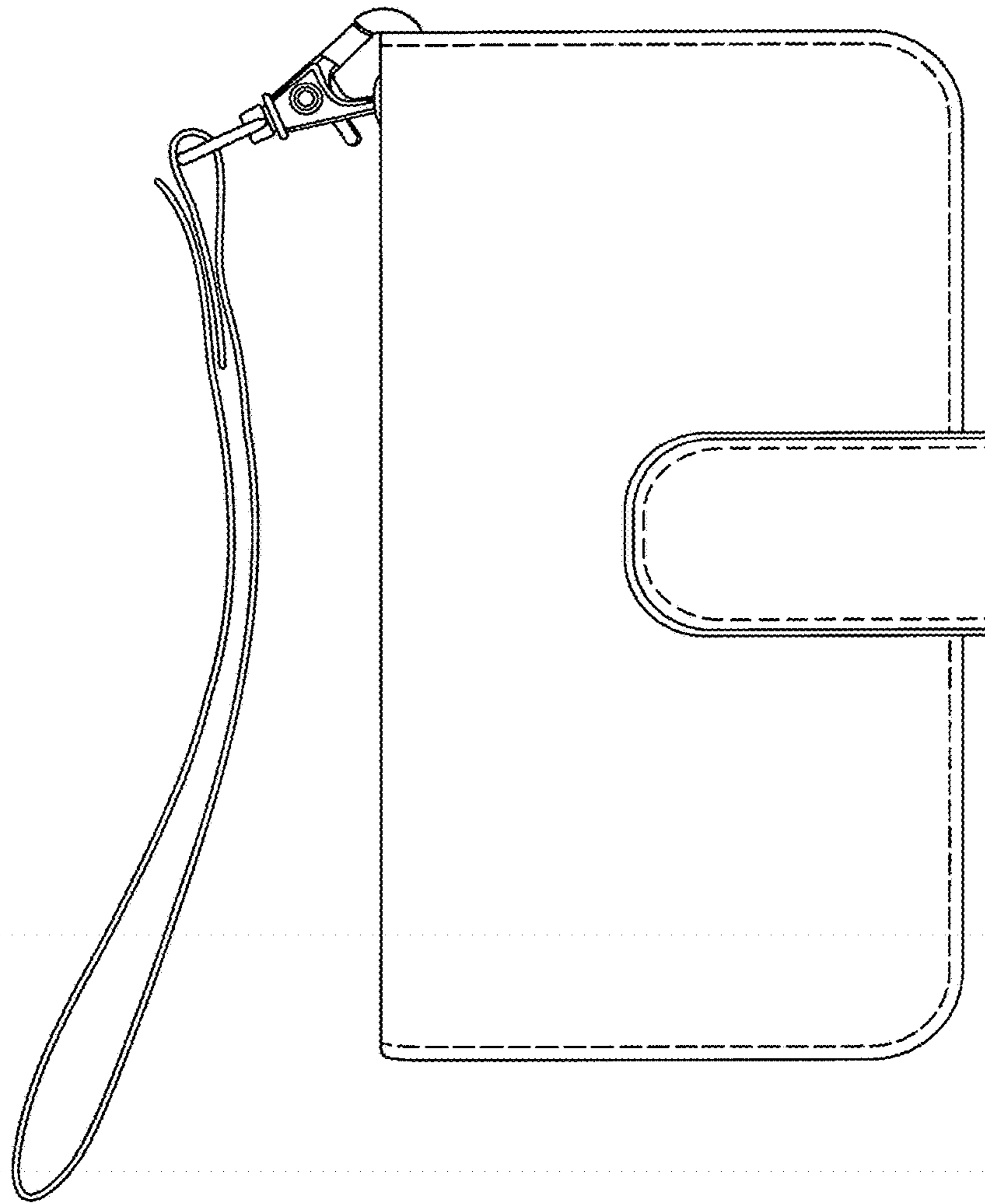


FIG. 1



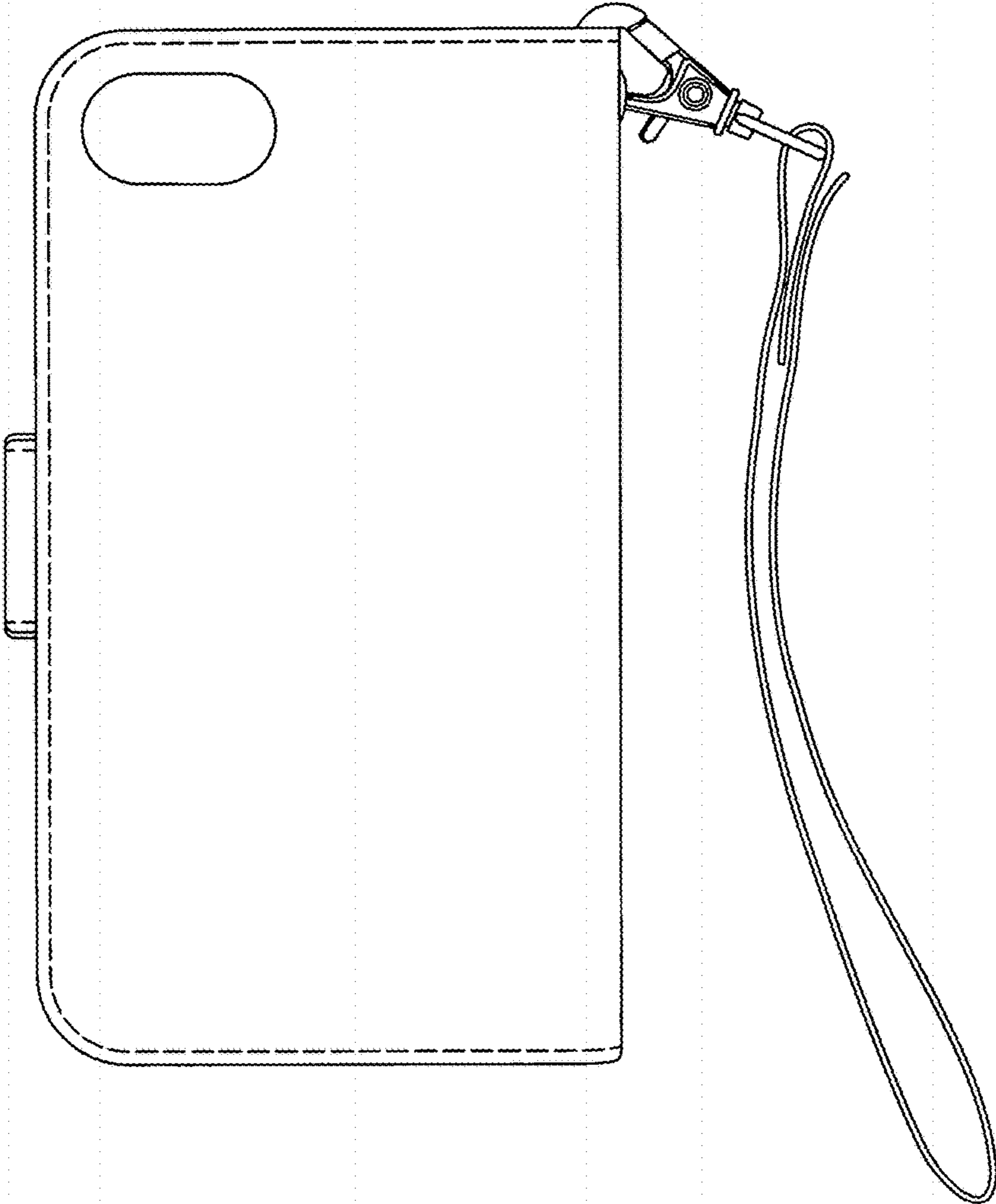


FIG. 2

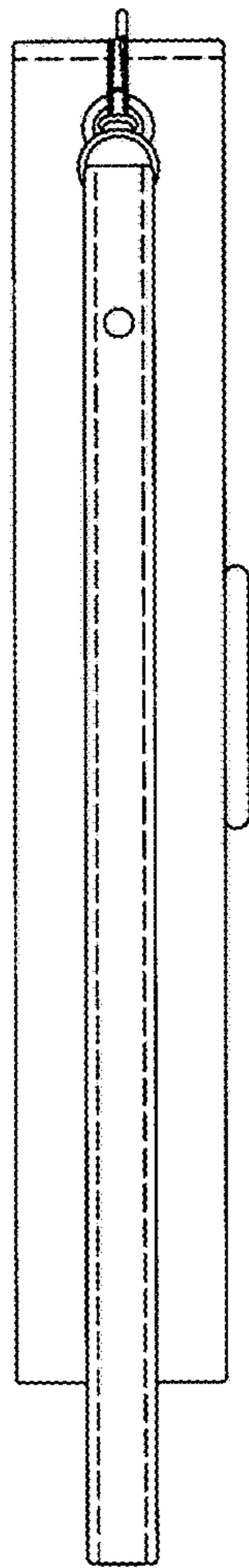


FIG.3

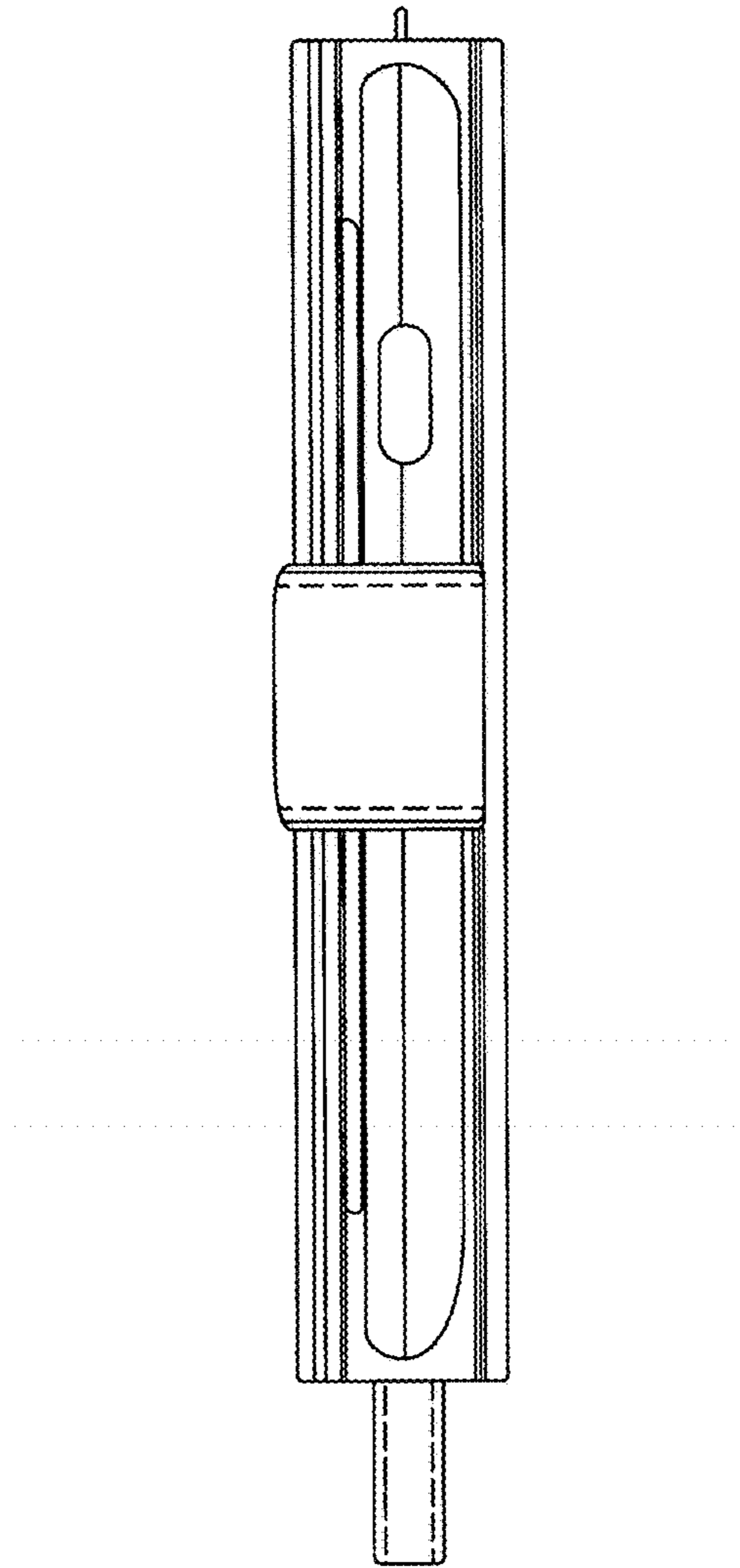


FIG.4

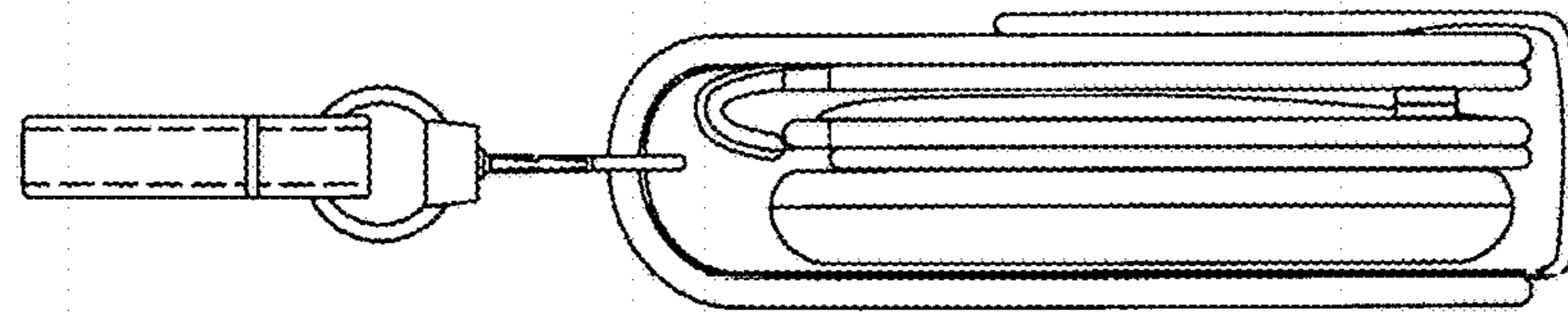


FIG.5

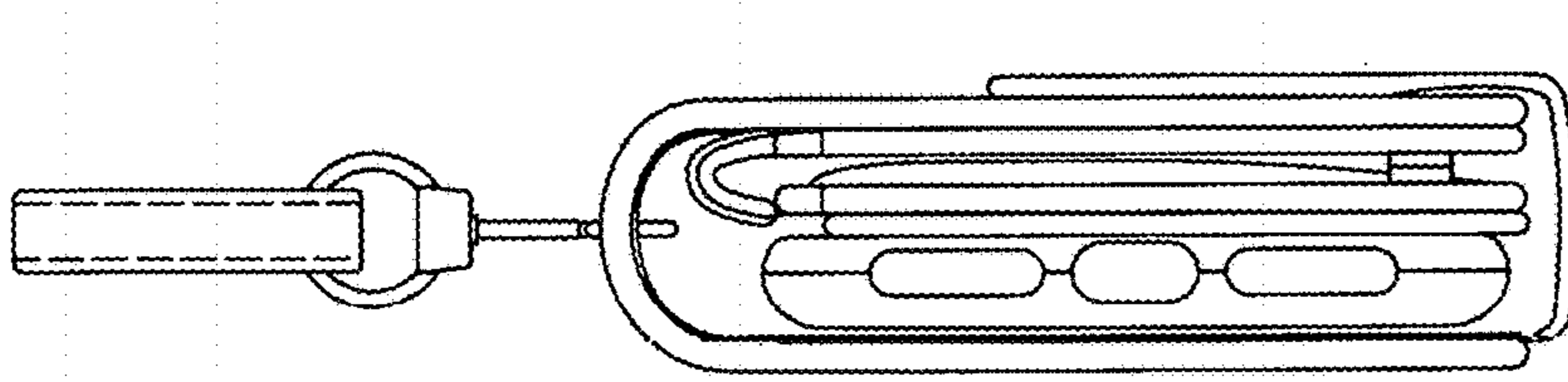


FIG.6

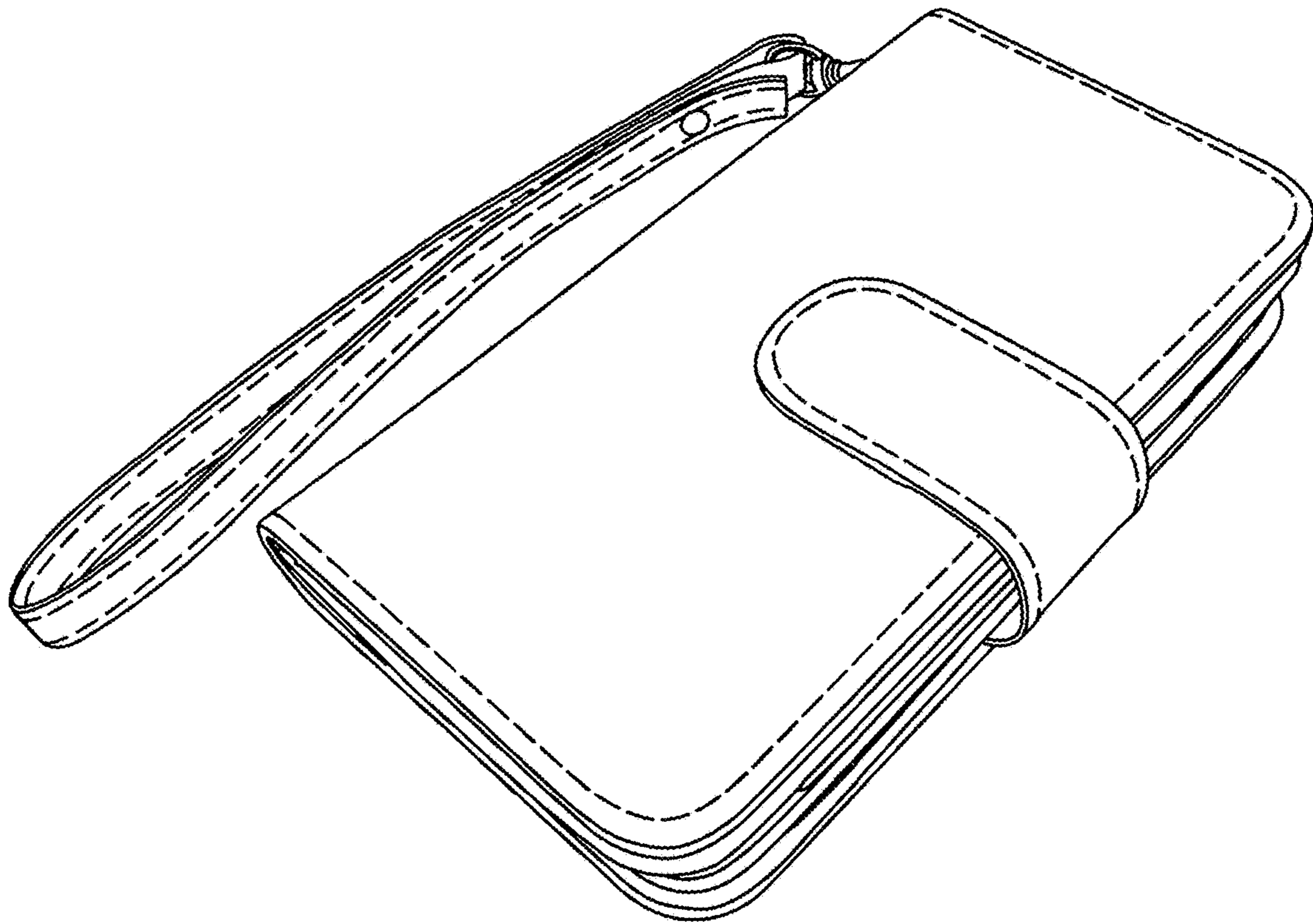


FIG. 7

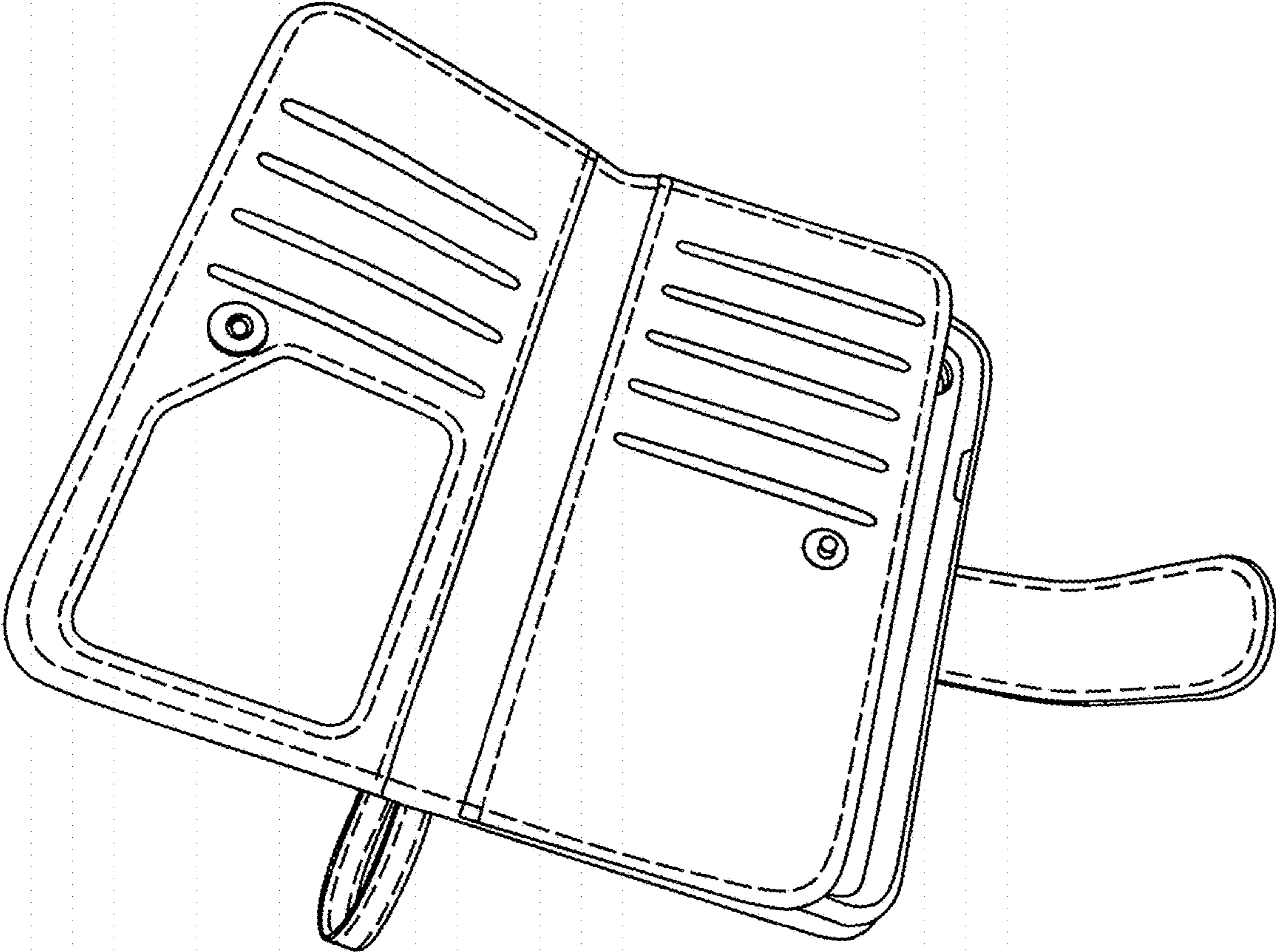


FIG. 8

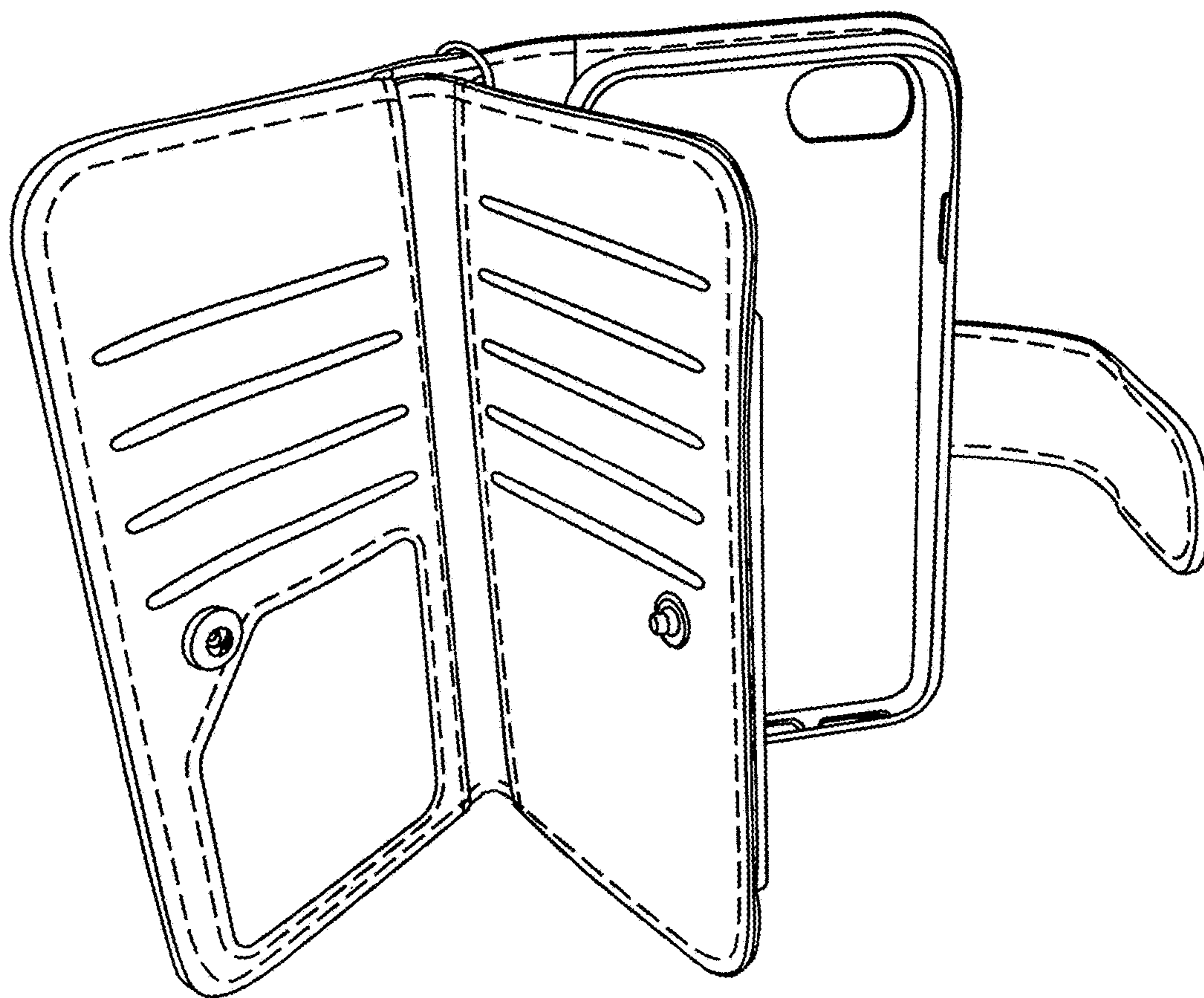


FIG. 9

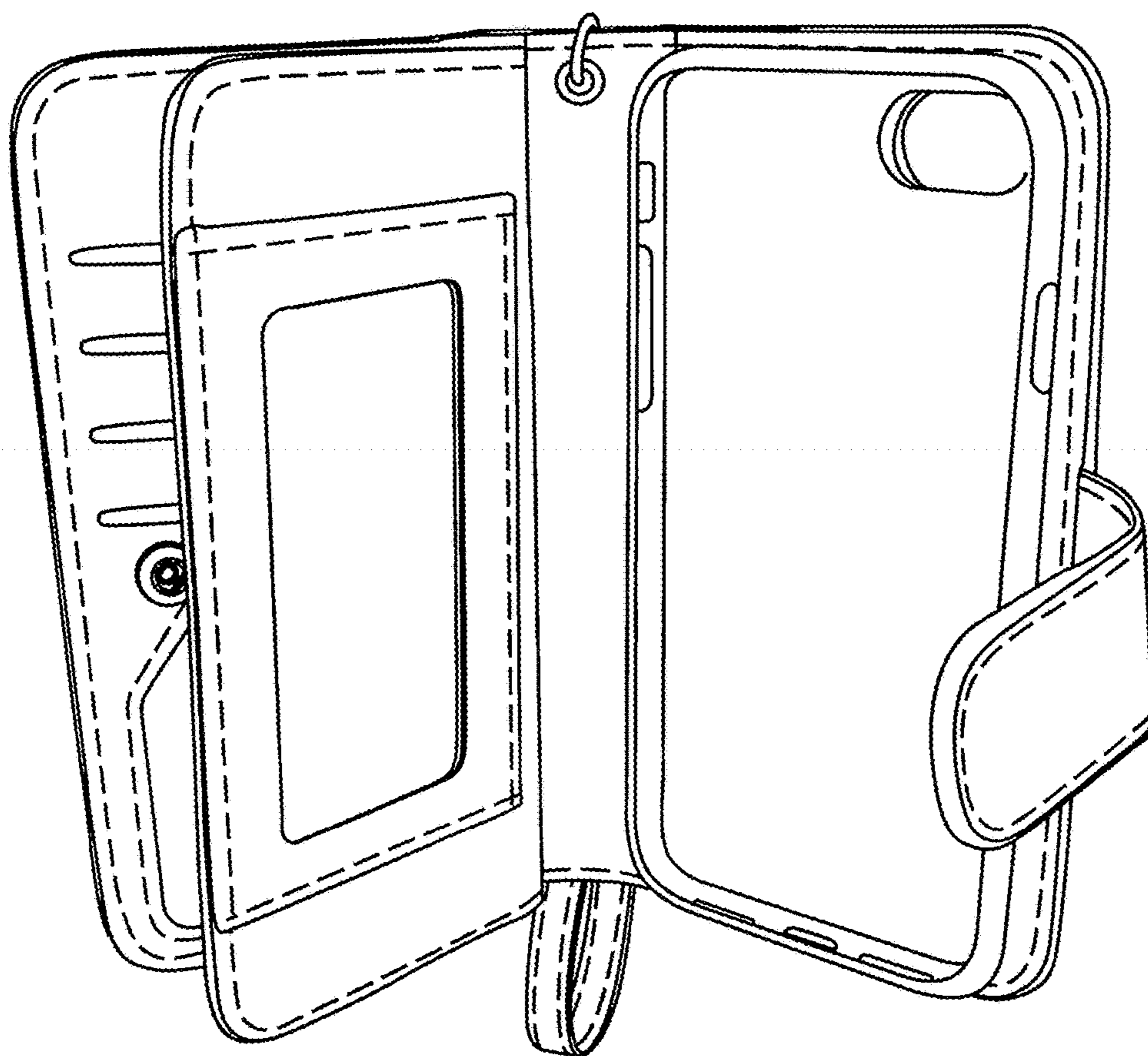


FIG. 10

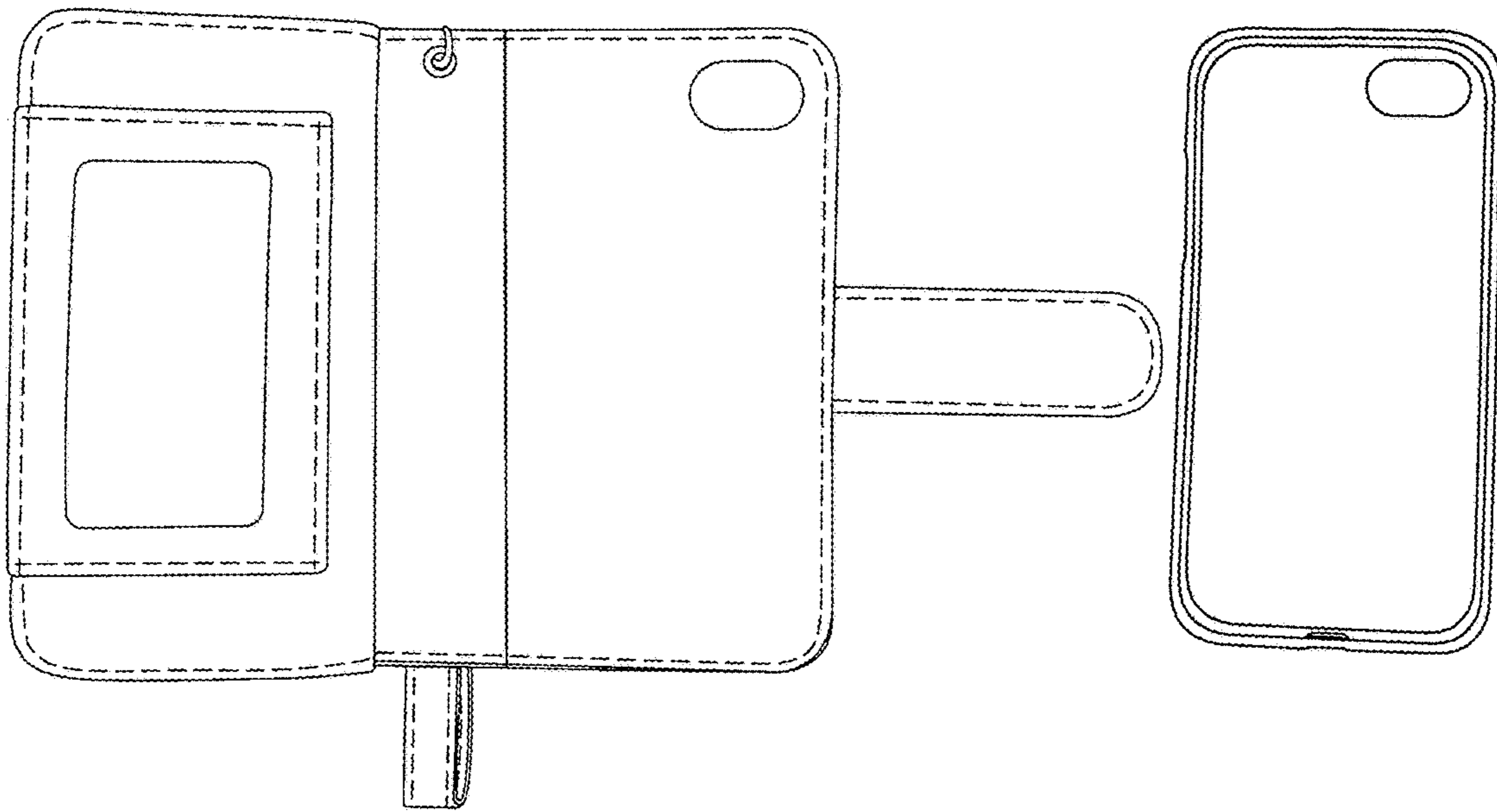


FIG. 11

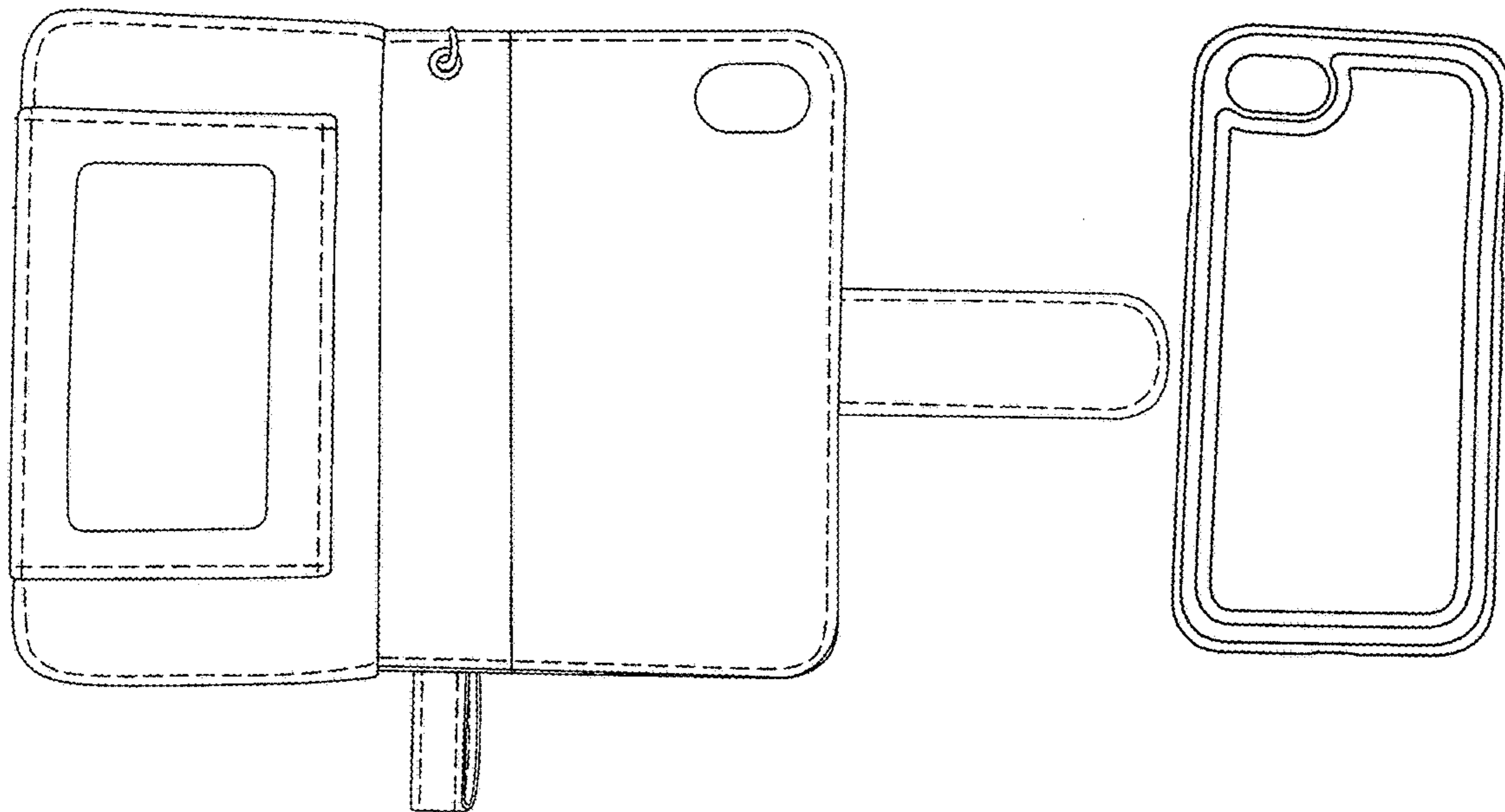


FIG. 12