



US00D856670S

(12) **United States Design Patent**
Rahardjo

(10) **Patent No.:** **US D856,670 S**

(45) **Date of Patent:** **** Aug. 20, 2019**

(54) **HANDBAG**

(71) Applicant: **Sri Rahardjo**, Singapore (SG)

(72) Inventor: **Sri Rahardjo**, Singapore (SG)

(**) Term: **15 Years**

(21) Appl. No.: **29/640,074**

(22) Filed: **Mar. 12, 2018**

(51) **LOC (12) Cl.** **03-01**

(52) **U.S. Cl.**
USPC **D3/243**

(58) **Field of Classification Search**
USPC D3/232–233, 240–243, 245–246
CPC A45C 1/024; A45C 3/06
See application file for complete search history.

(56) **References Cited**

U.S. PATENT DOCUMENTS

D260,053 S *	8/1981	Siegel	D3/243
D263,649 S *	4/1982	Schimmel	D3/243
D498,587 S *	11/2004	de Baschmakoff	D3/243
D498,588 S *	11/2004	de Baschmakoff	D3/243
D609,004 S *	2/2010	Dolce	D3/240
D631,656 S *	2/2011	Della Valle	D3/243
D631,657 S *	2/2011	Della Valle	D3/243
D655,583 S *	3/2012	Palazzolo	D3/243
D659,391 S *	5/2012	Jobert	D3/243
D688,450 S *	8/2013	Philo	D3/243
D761,015 S *	7/2016	Nair	D3/243
D774,755 S *	12/2016	Sassi	D3/243
D799,818 S *	10/2017	Nair	D3/243
D803,554 S *	11/2017	Maier	D3/243

D803,555 S *	11/2017	Maier	D3/243
D804,170 S *	12/2017	Maier	D3/243
D814,177 S *	4/2018	Nair	D3/243

* cited by examiner

Primary Examiner — Holly H Baynham
(74) *Attorney, Agent, or Firm* — Ziegler IP Law Group, LLC

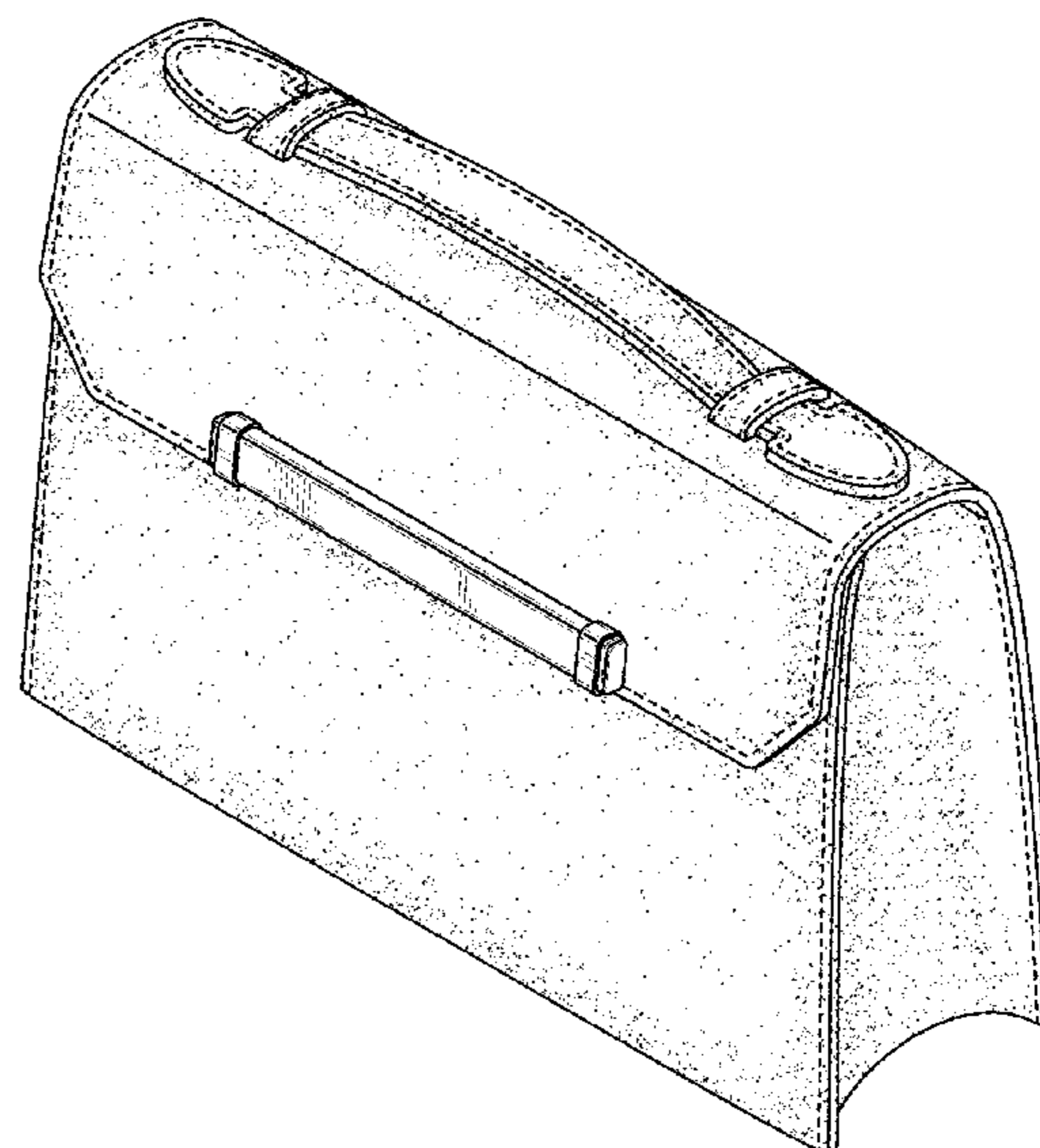
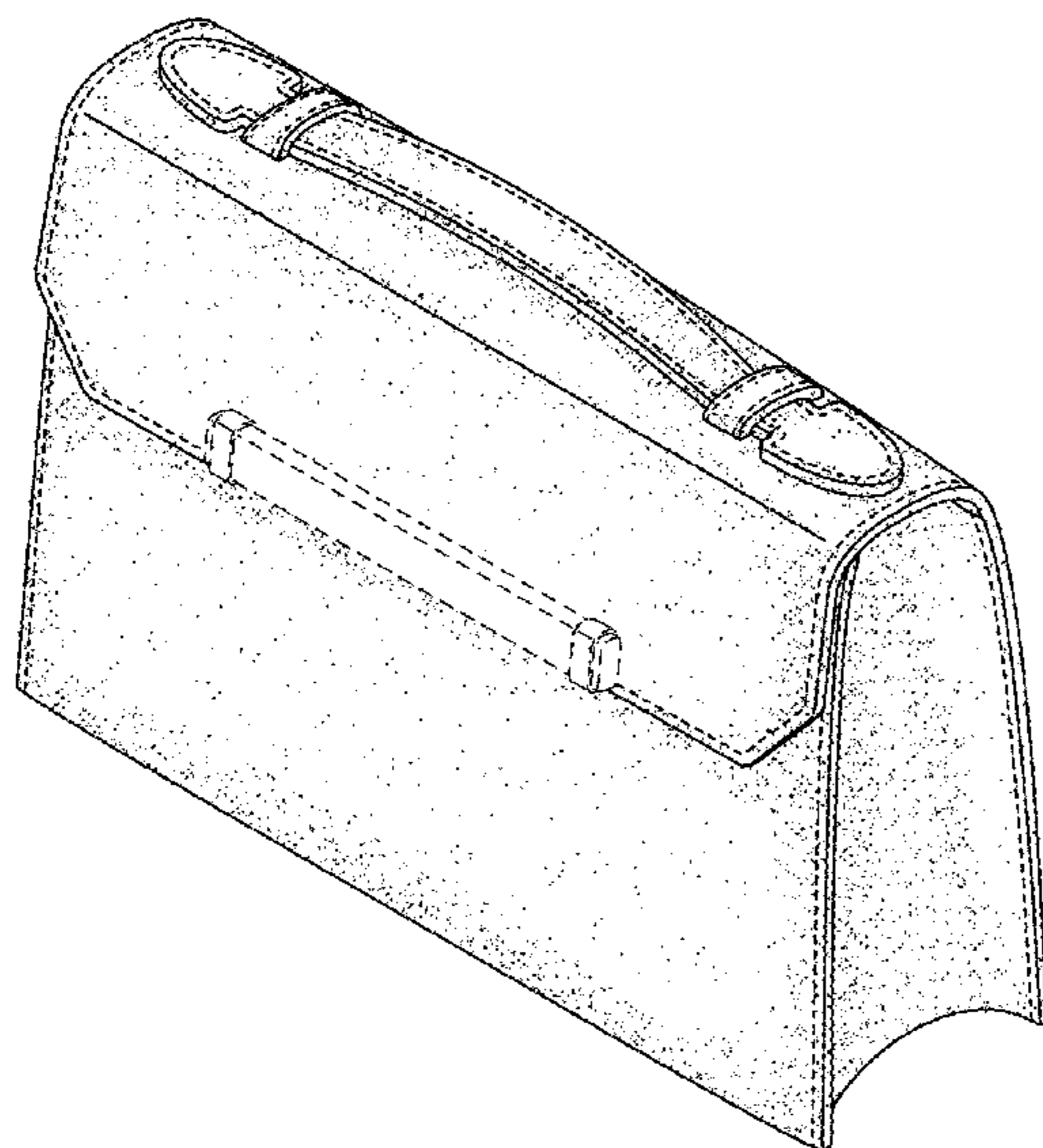
(57) **CLAIM**

The ornamental design for a handbag, as shown and described.

DESCRIPTION

FIG. 1 is a perspective view of a first embodiment of a handbag showing the new design; FIG. 2 is a top view thereof; FIG. 3 is a front view thereof; FIG. 4 is a bottom view thereof; FIG. 5 is a back view thereof; FIG. 6 is a side view thereof; FIG. 7 is another side view thereof, shown from the side opposite that shown in FIG. 6; FIG. 8 is a perspective view of a second embodiment of the handbag showing the new design; FIG. 9 is a top view thereof; FIG. 10 is a front view thereof; FIG. 11 is a bottom view thereof; FIG. 12 is a back view thereof; FIG. 13 is a side view thereof; and, FIG. 14 is another side view thereof, shown from the side opposite that shown in FIG. 13. The broken lines showing stitching and clasp are for the purposes of illustrating environment and form no part of the claimed design.

1 Claim, 6 Drawing Sheets



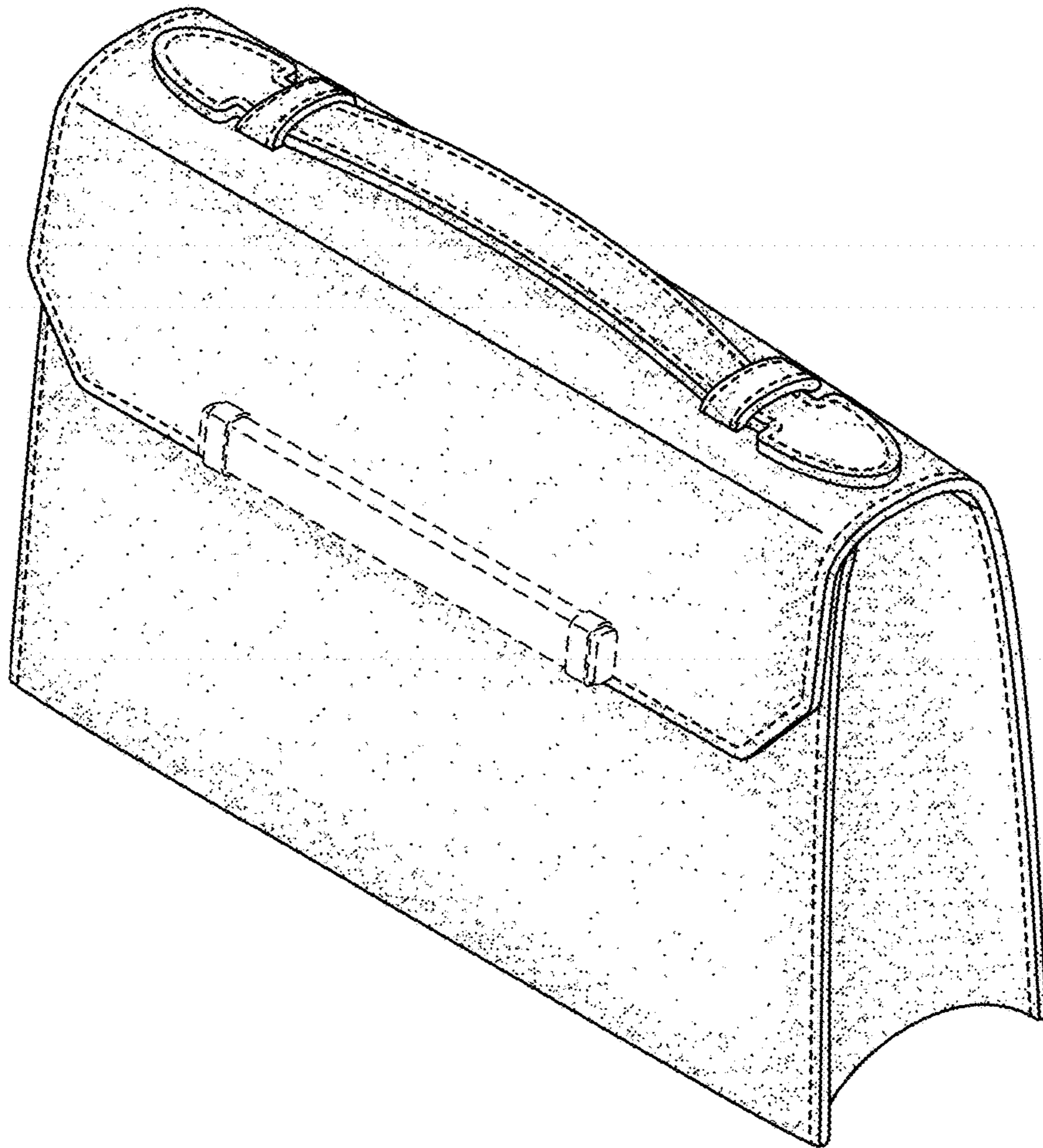


FIG. 1

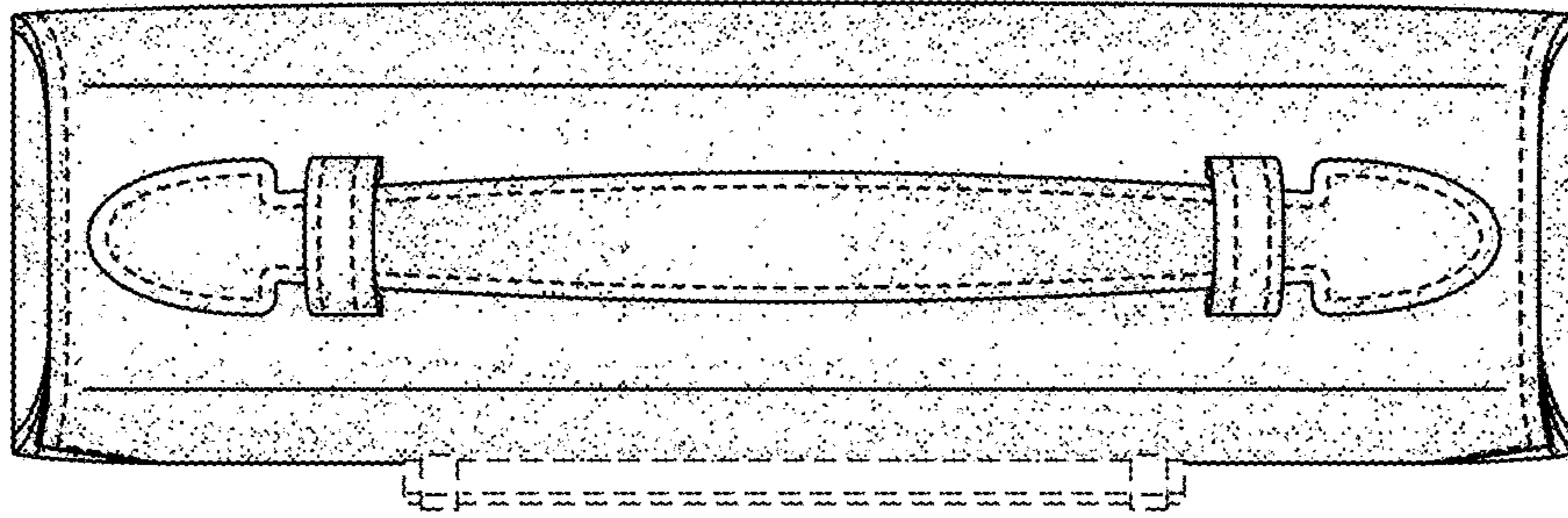


FIG. 2

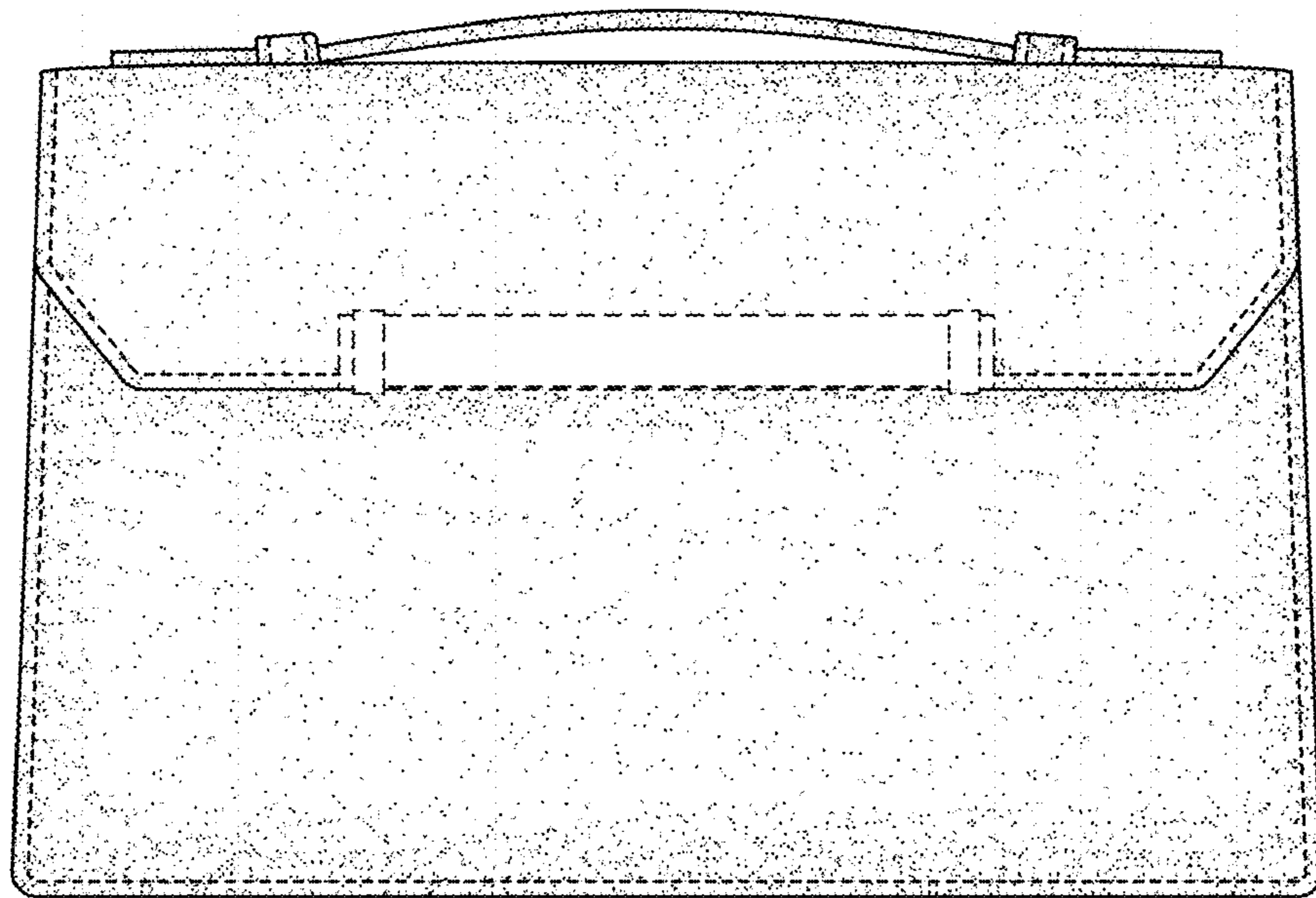


FIG. 3

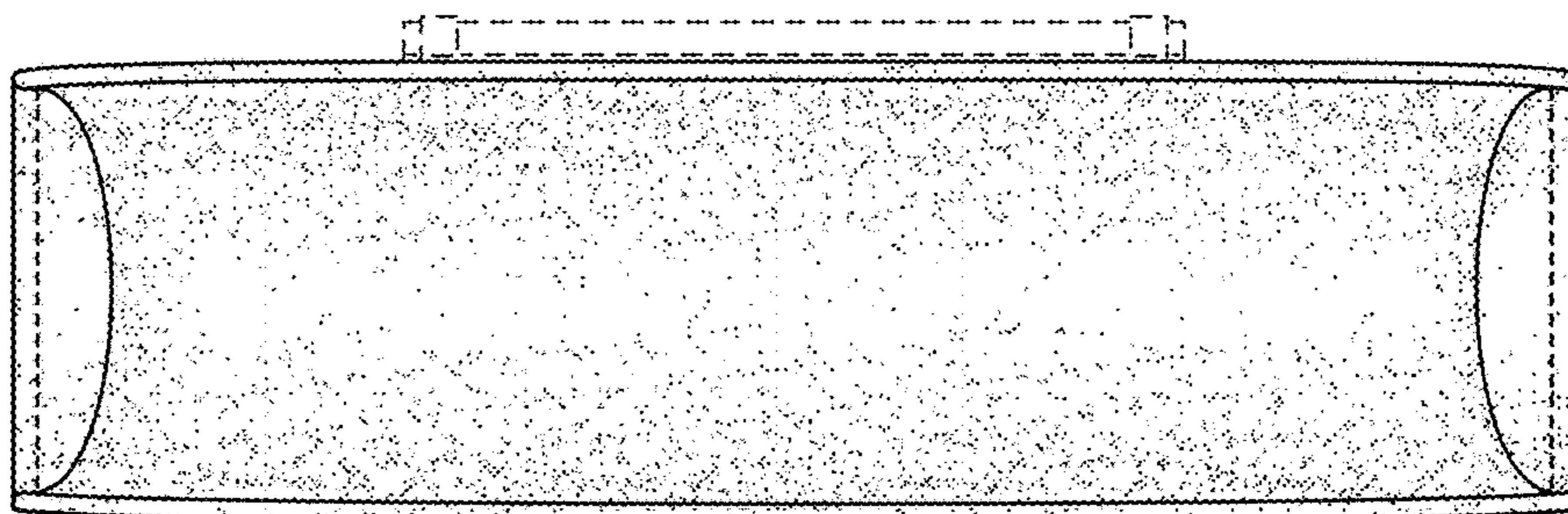


FIG. 4

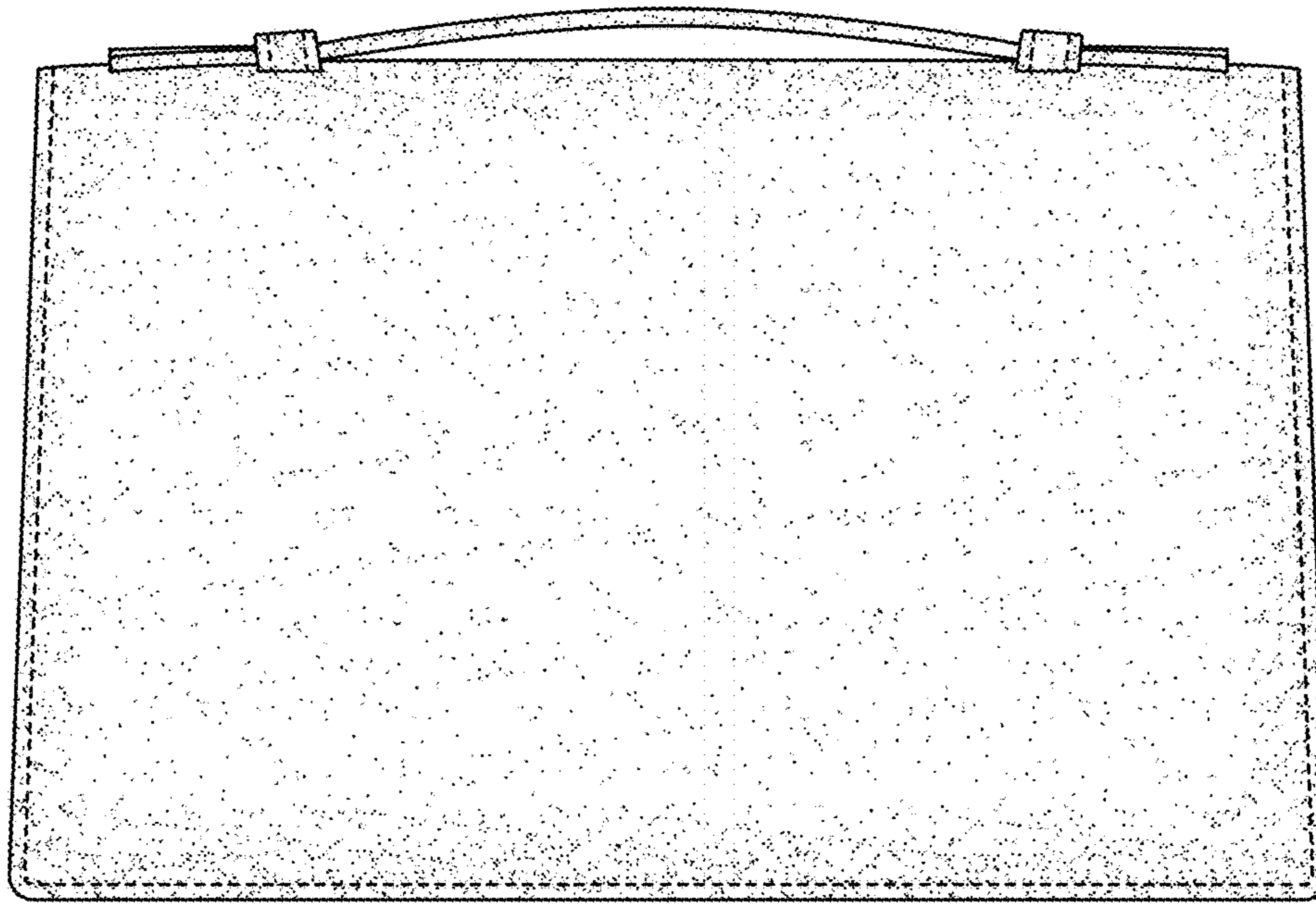


FIG. 5

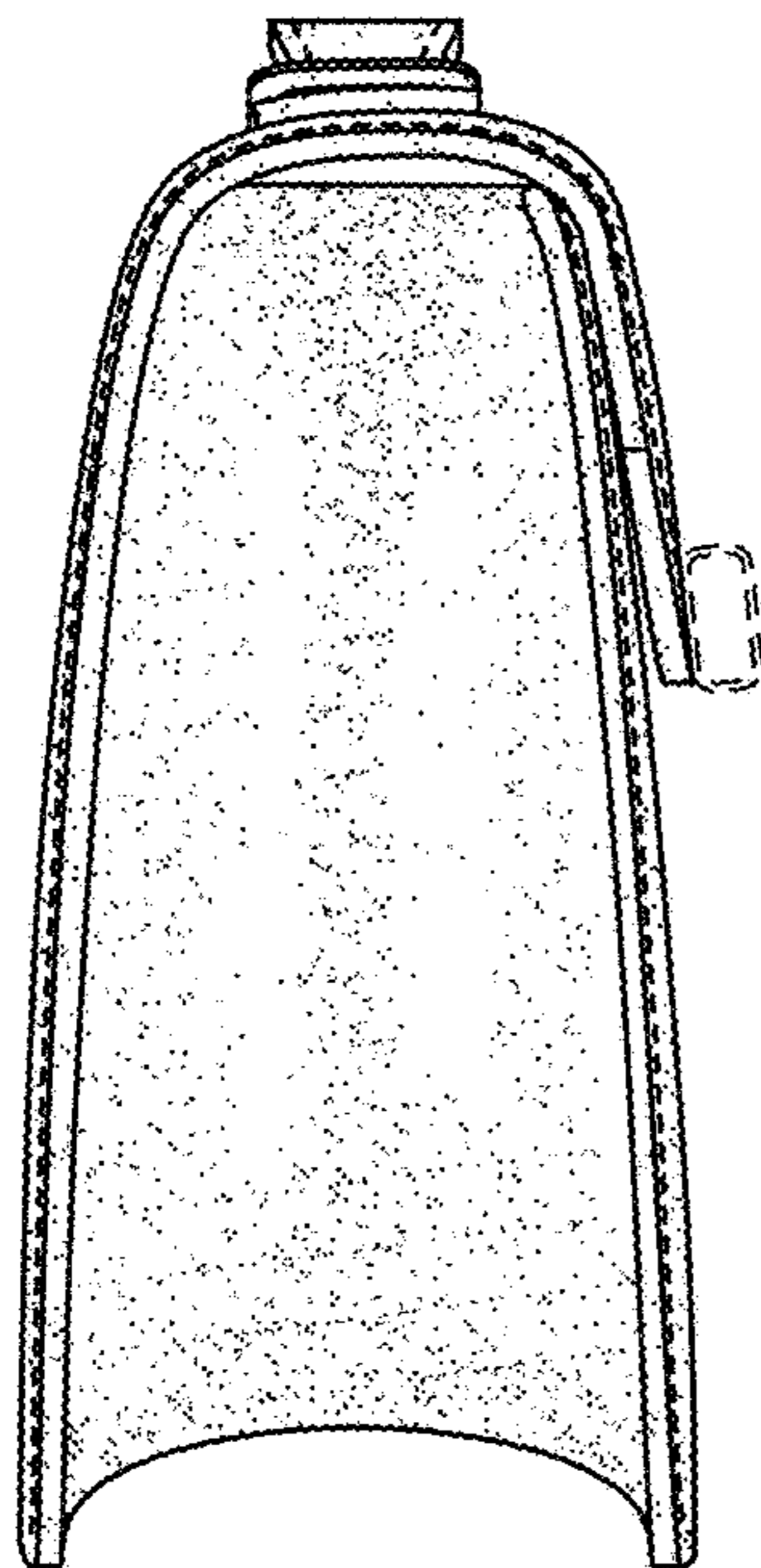


FIG. 6

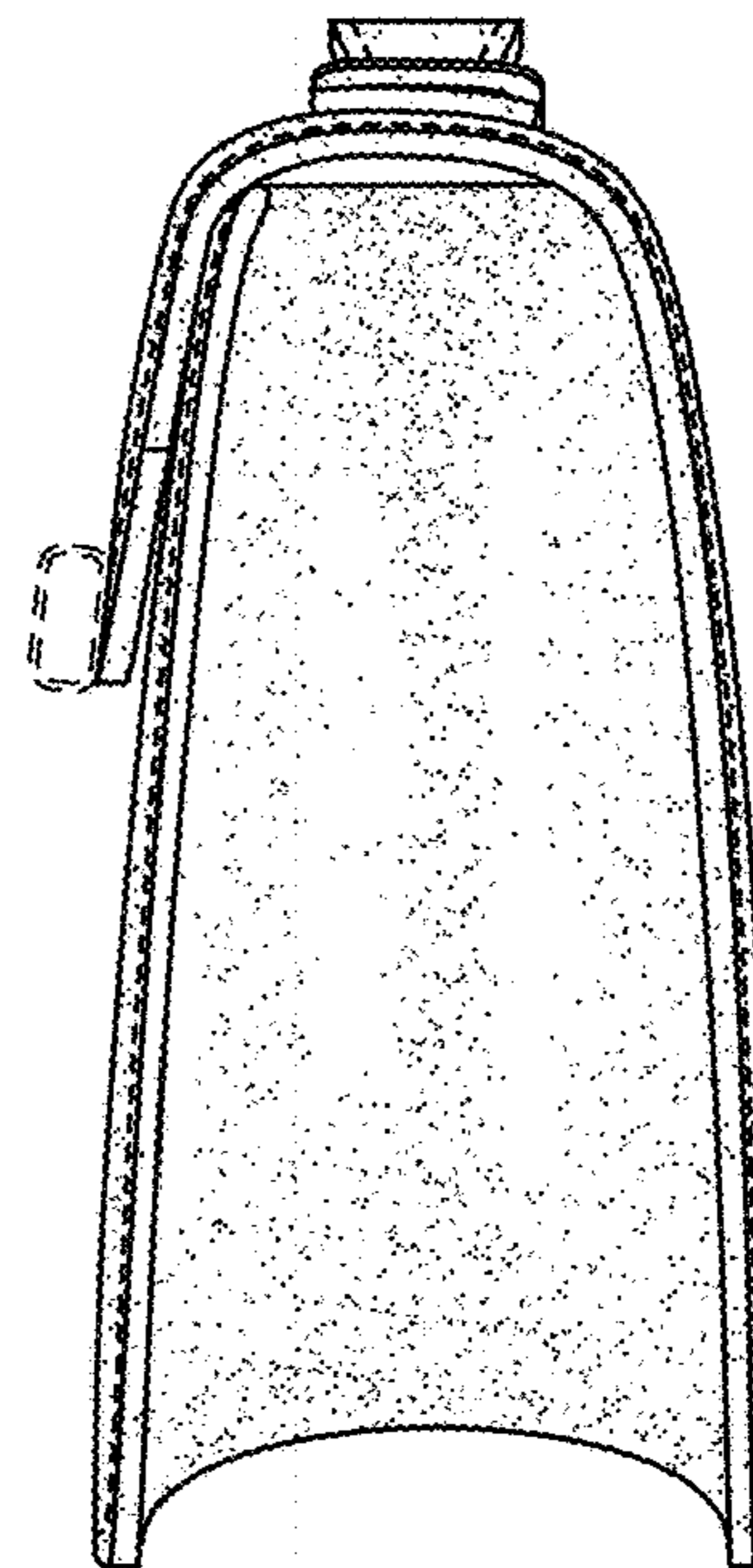


FIG. 7

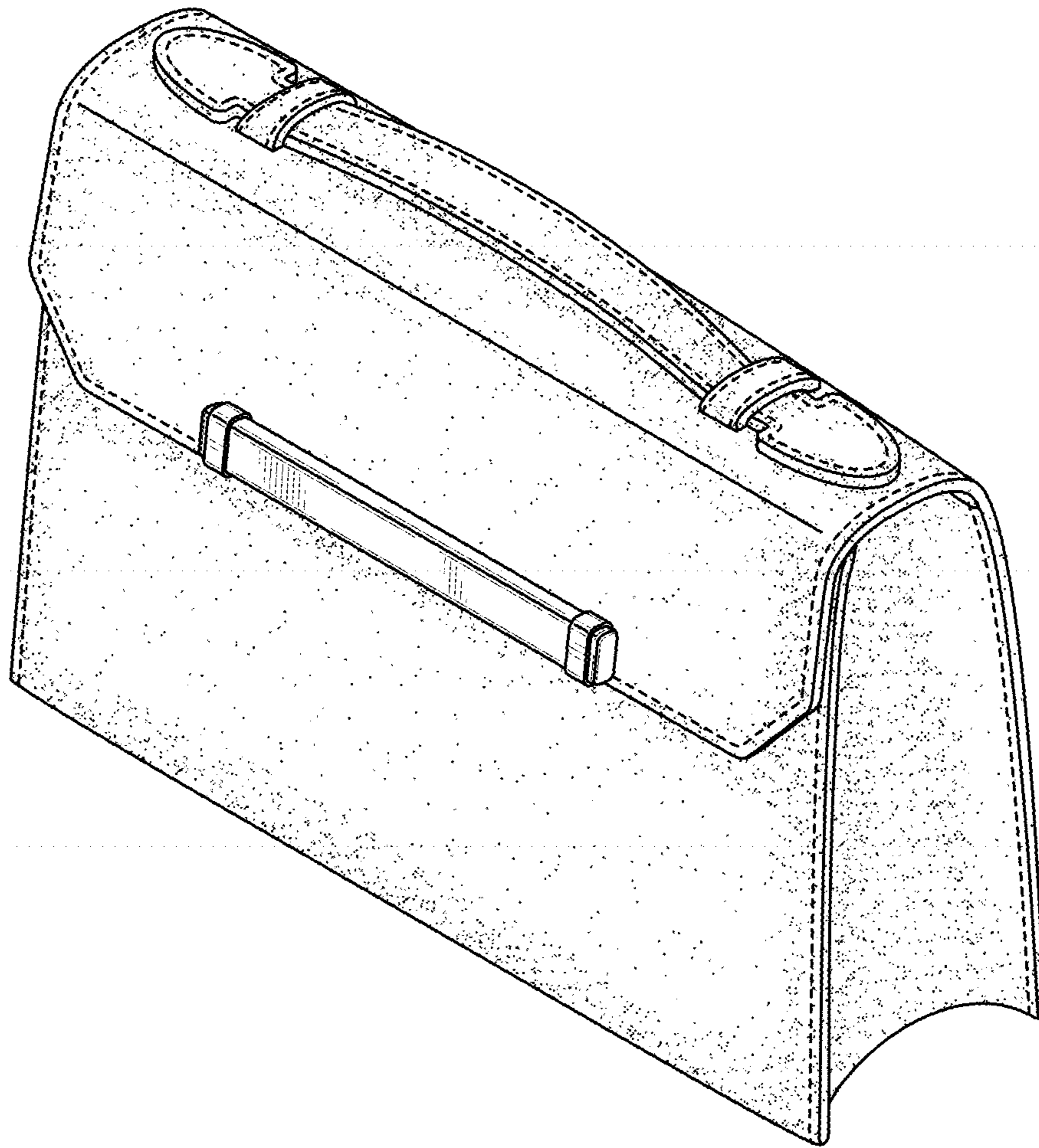


FIG. 8

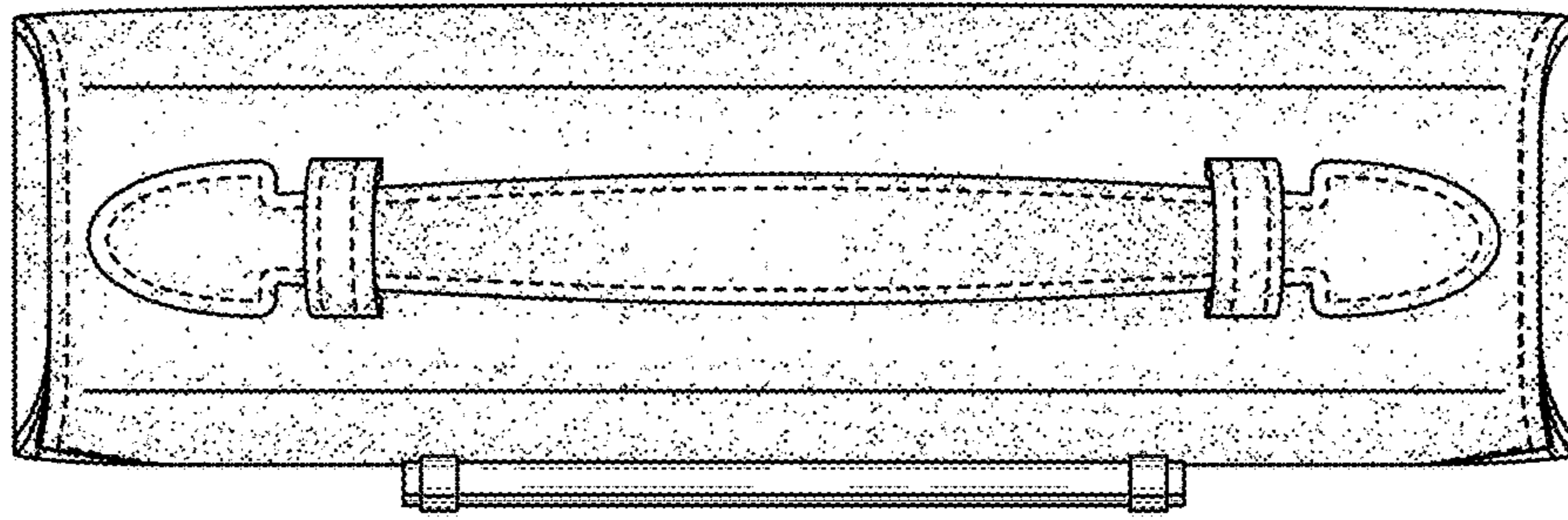


FIG. 9

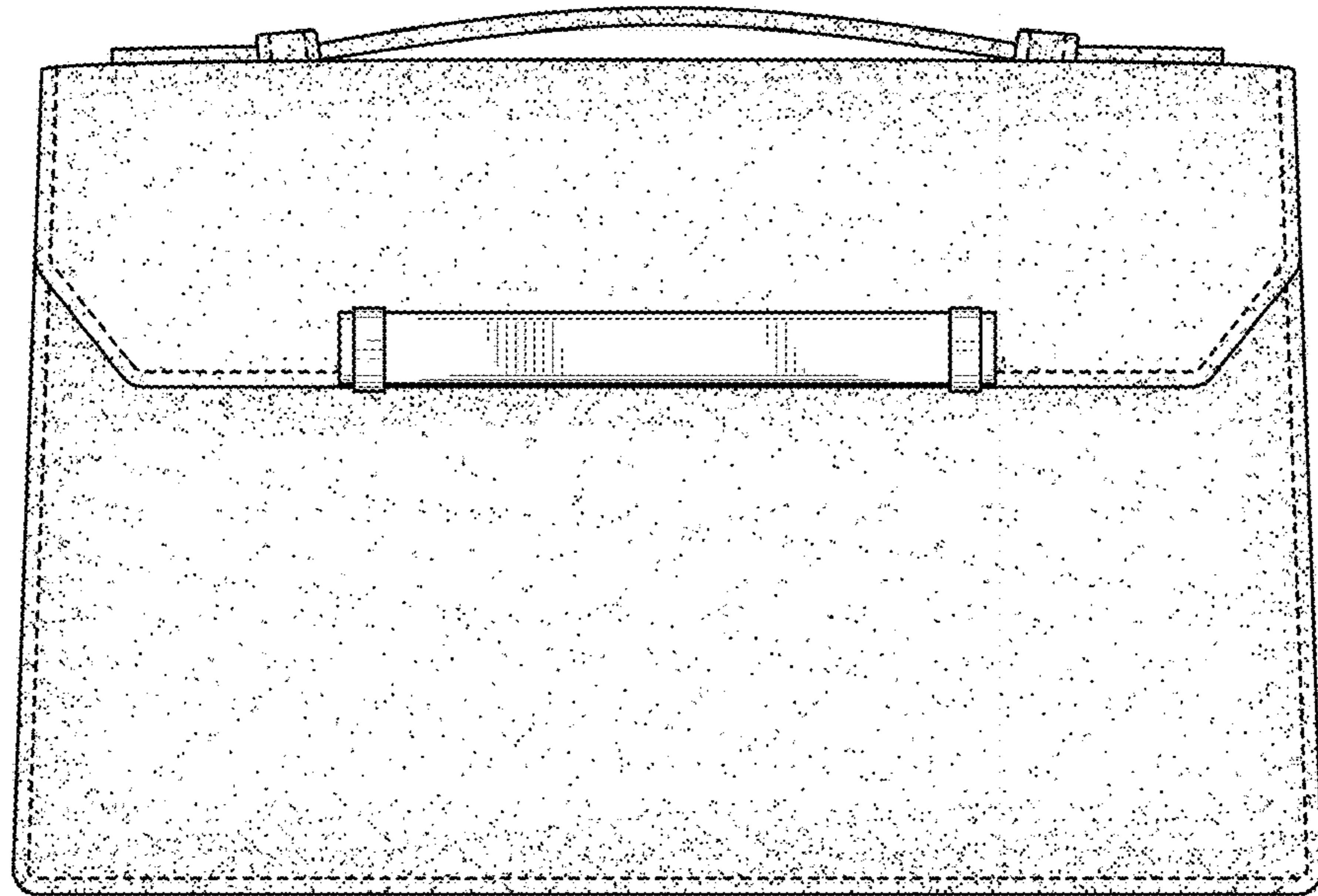


FIG. 10

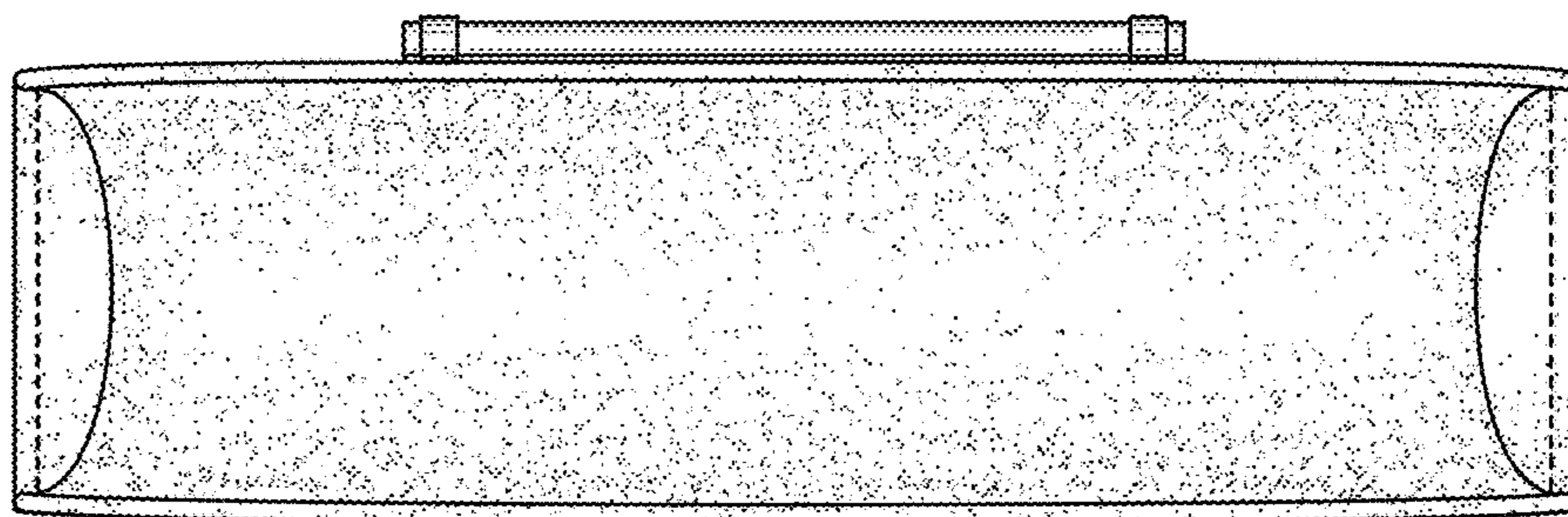


FIG. 11

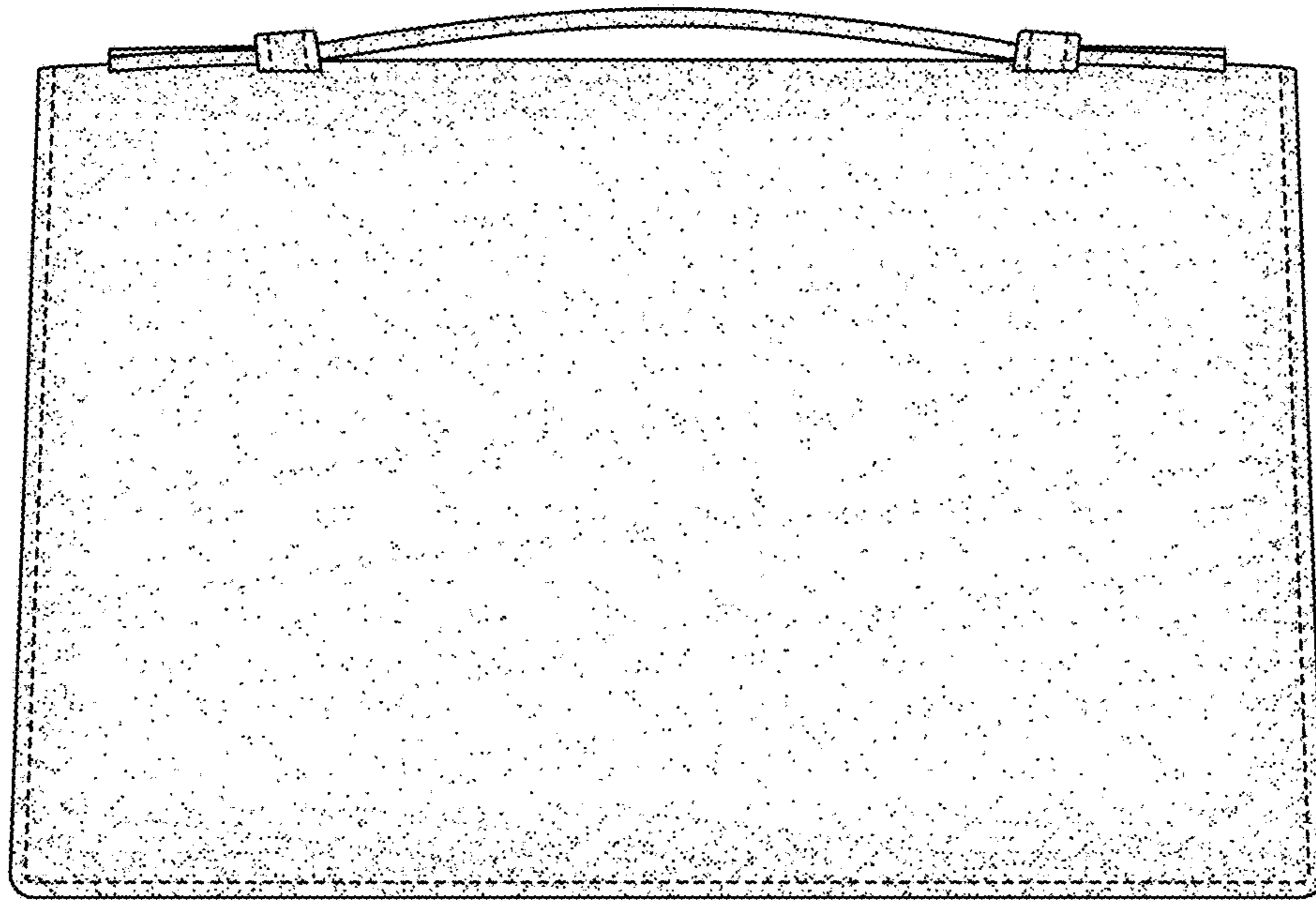


FIG. 12

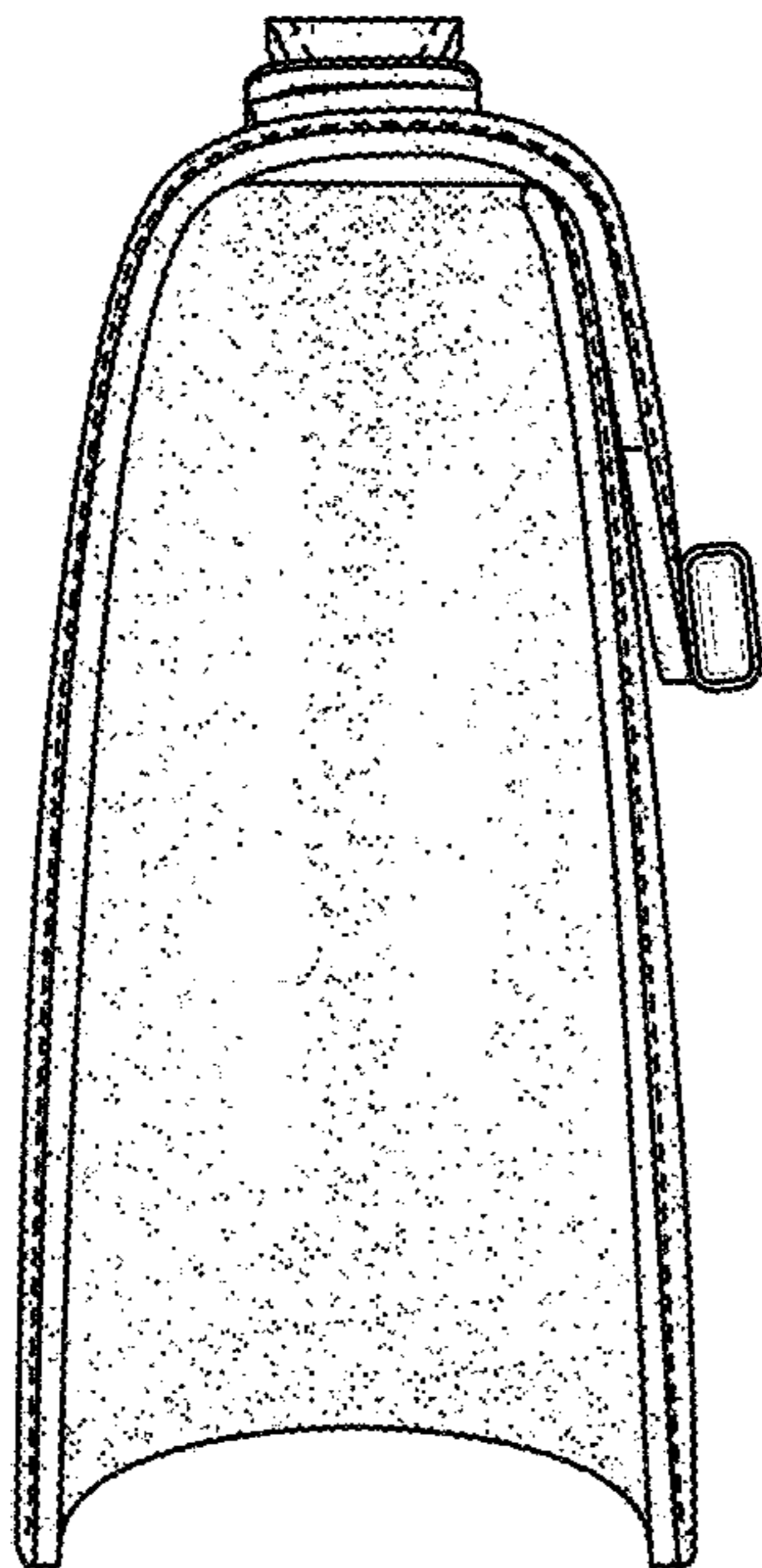


FIG. 13

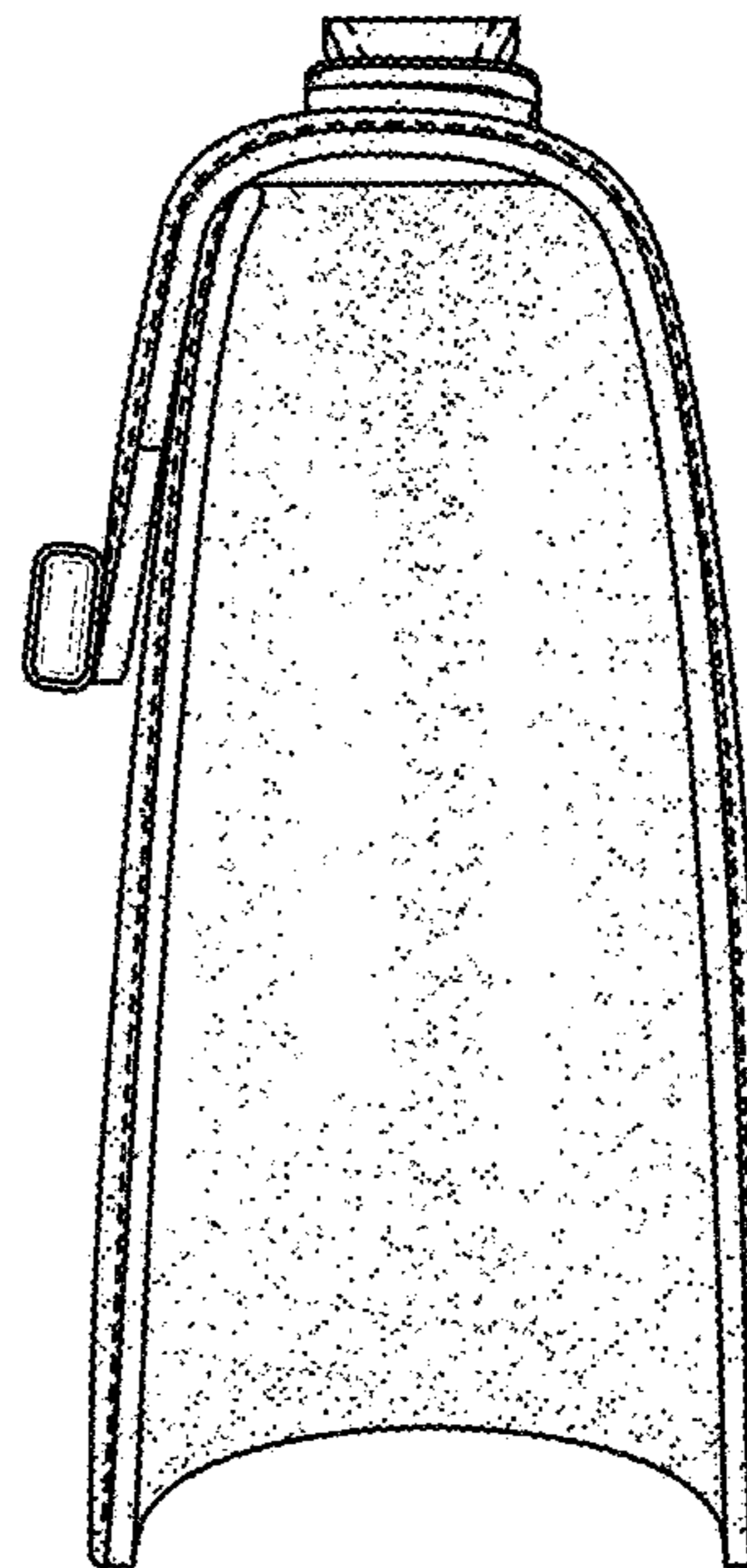


FIG. 14