



US00D856667S

(12) **United States Design Patent**  
**Hekmat**

(10) **Patent No.:** **US D856,667 S**

(45) **Date of Patent:** **\*\* Aug. 20, 2019**

(54) **HANDBAG**

D373,472 S \* 9/1996 Eaton ..... D3/234  
D452,072 S \* 12/2001 Guyon ..... D3/238  
D566,832 S 4/2008 Thom et al.

(71) Applicant: **JASMIN LARIAN LLC**, Los Angeles,  
CA (US)

(72) Inventor: **Jasmin Larian Hekmat**, Los Angeles,  
CA (US)

(73) Assignee: **JASMIN LARIAN LLC**, Los, Angeles,  
CA (US)

(\*\*) Term: **15 Years**

(21) Appl. No.: **29/685,089**

(22) Filed: **Mar. 26, 2019**

(51) **LOC (12) Cl.** ..... **03-01**

(52) **U.S. Cl.**

USPC ..... **D3/242; D3/234; D3/238**

(58) **Field of Classification Search**

USPC ..... D3/232-234, 238, 240-243, 245-246

CPC ..... A45C 1/024; A45C 3/06

See application file for complete search history.

(56) **References Cited**

**U.S. PATENT DOCUMENTS**

D229,871 S \* 1/1974 Tibbs ..... D3/238  
D236,036 S \* 7/1975 Tibbs ..... D3/238  
D260,325 S \* 8/1981 Davis ..... D3/234  
D346,273 S \* 4/1994 Lucas ..... D3/234

**OTHER PUBLICATIONS**

Otto Environmental, Pecca Ball 2 Sizes, <https://www.ottoenvironmental.com/pecca-ball-2-sizes>, Access date: Mar. 18, 2019.

\* cited by examiner

*Primary Examiner* — Holly H Baynham

(74) *Attorney, Agent, or Firm* — Kelley Drye & Warren LLP

(57) **CLAIM**

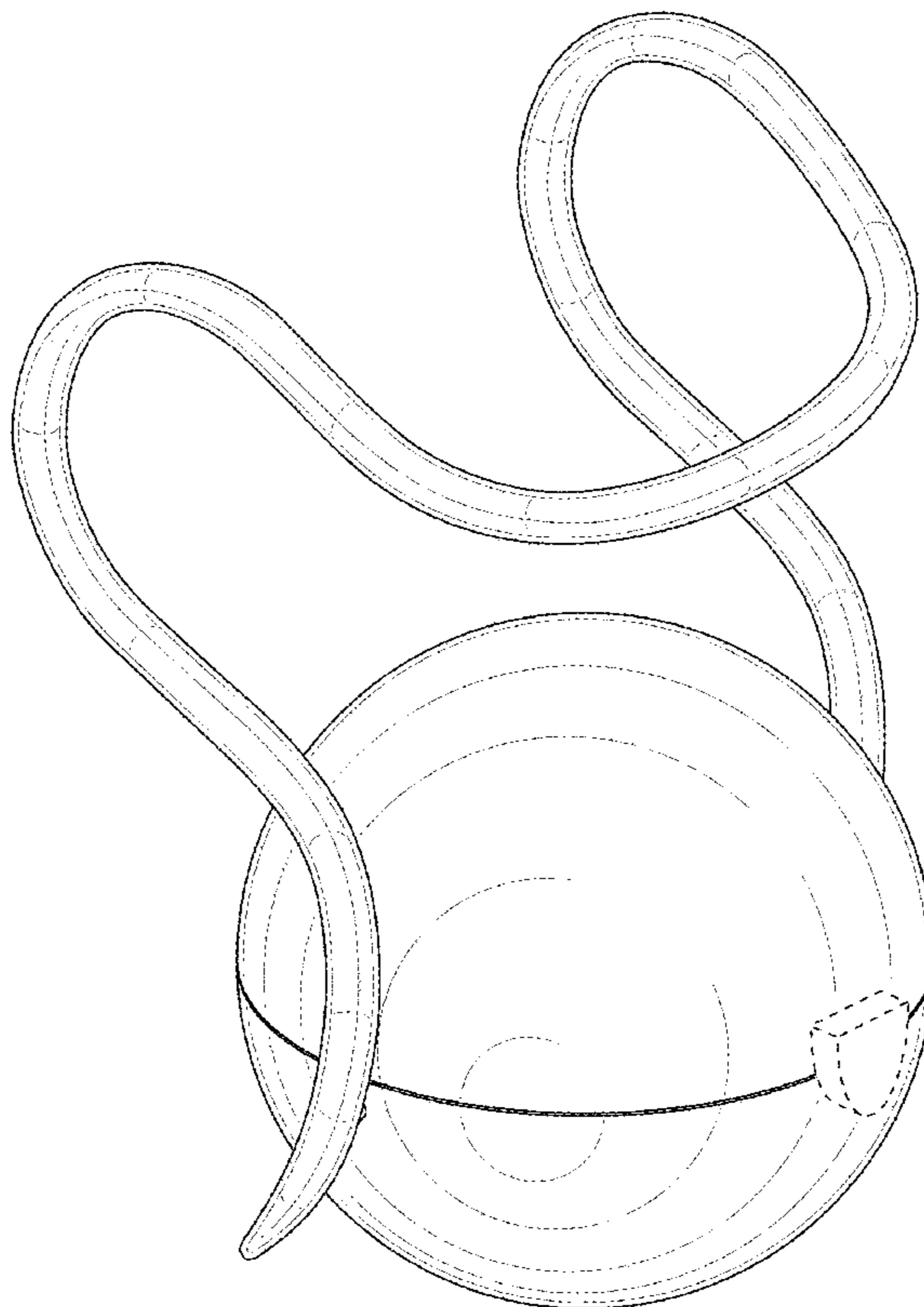
The ornamental design for a handbag, as shown and described.

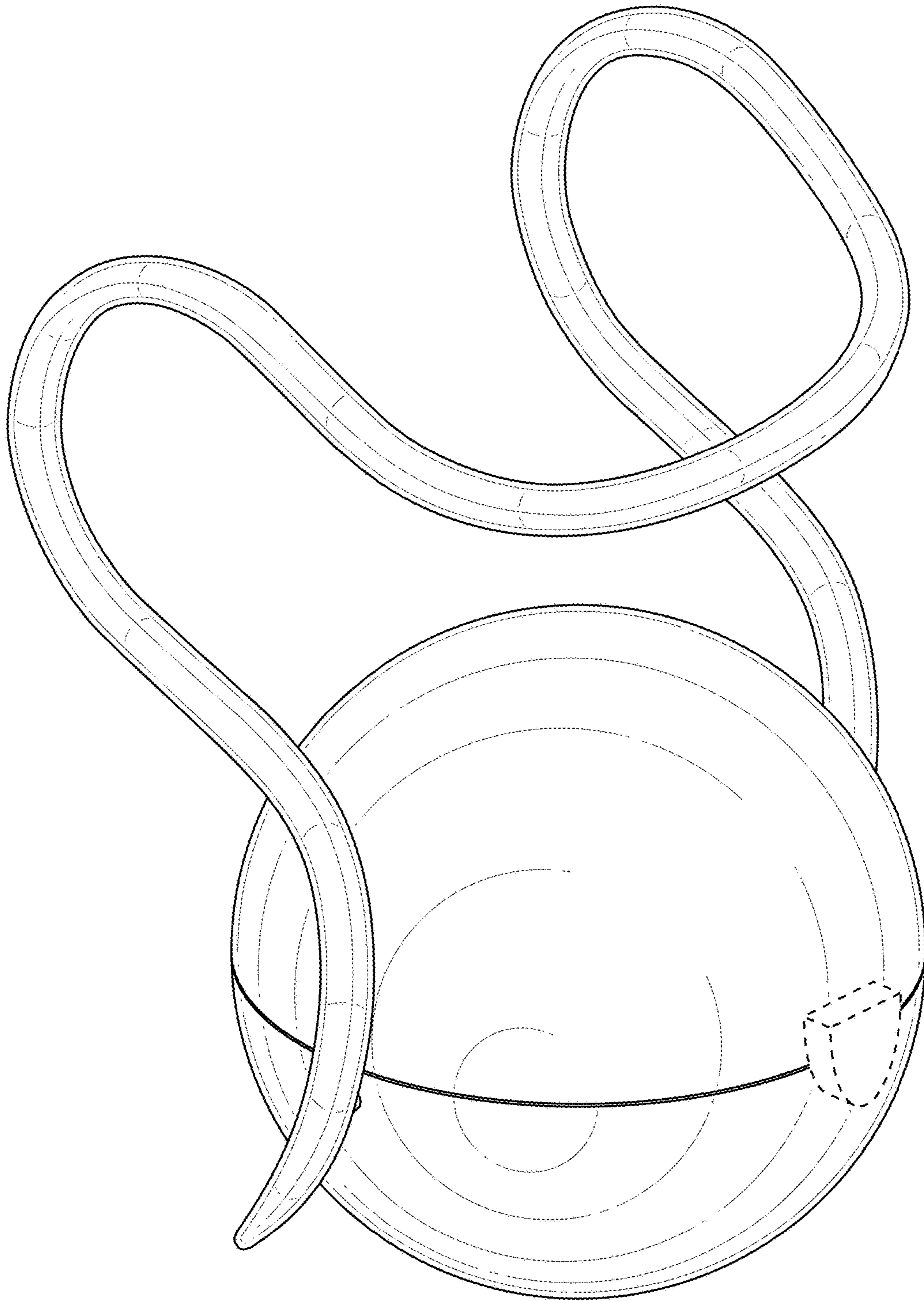
**DESCRIPTION**

FIG. 1 is a ¾ perspective view thereof;  
FIG. 2 is front elevational view thereof;  
FIG. 3 is a rear elevational view thereof;  
FIG. 4 is a left side elevational view thereof;  
FIG. 5 is a right side elevational view thereof;  
FIG. 6 is a top plan view thereof;  
FIG. 7 is a bottom plan view thereof; and,  
FIG. 8 is an open perspective view thereof.

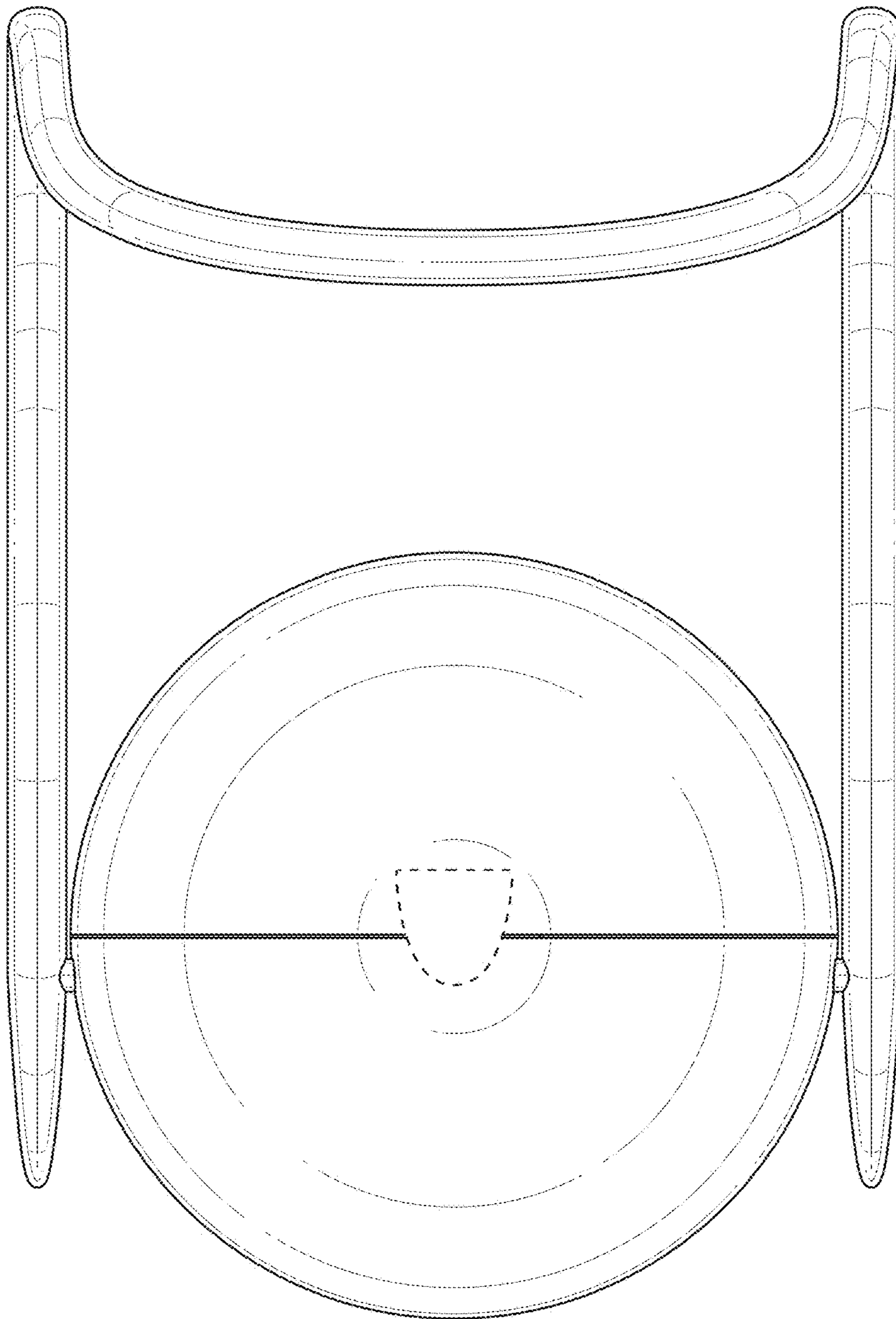
The broken lines shown in the figures are included for the purpose of illustrating the environment in which the design is used and form no part of the claimed design.

**1 Claim, 8 Drawing Sheets**



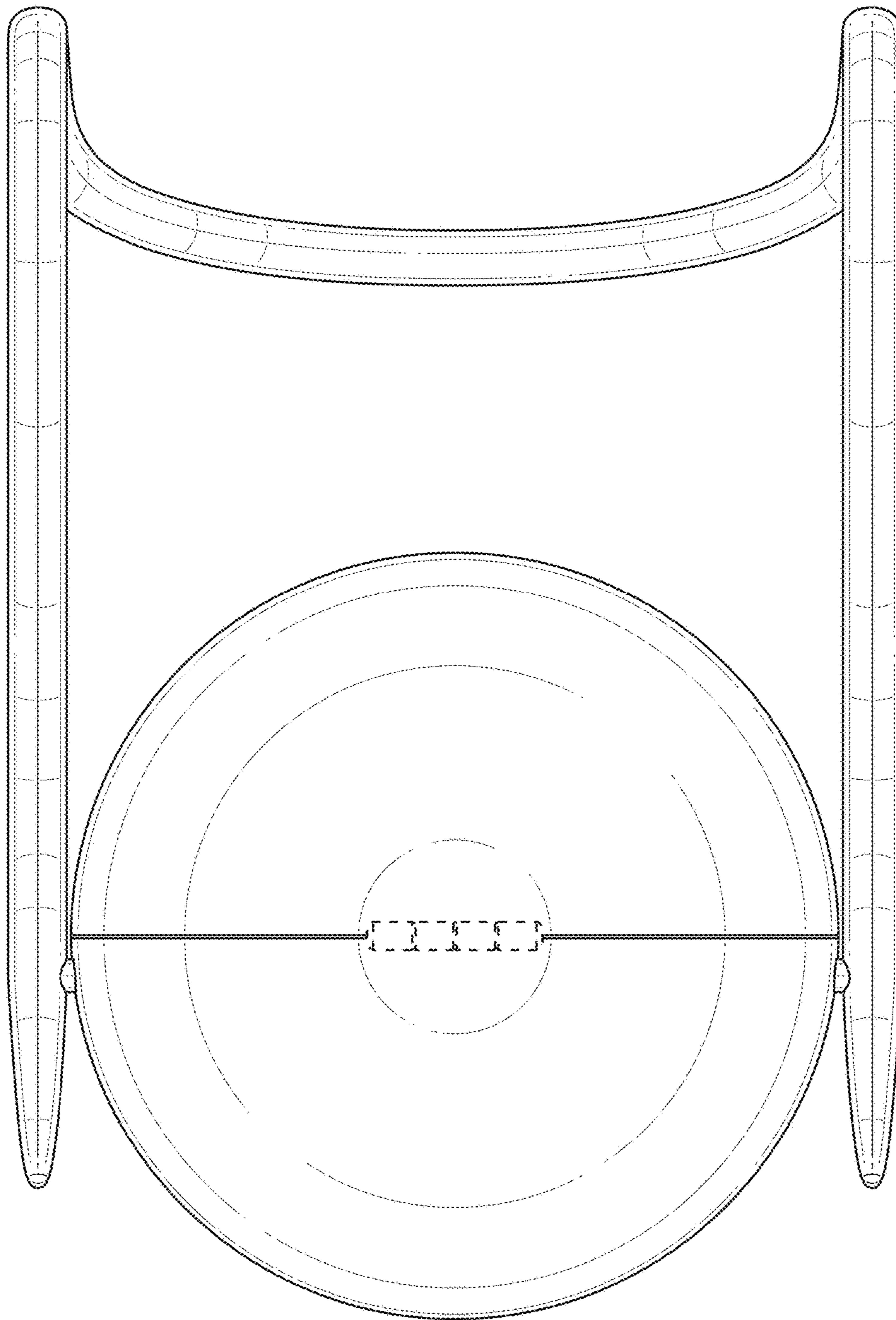


**FIG. 1**

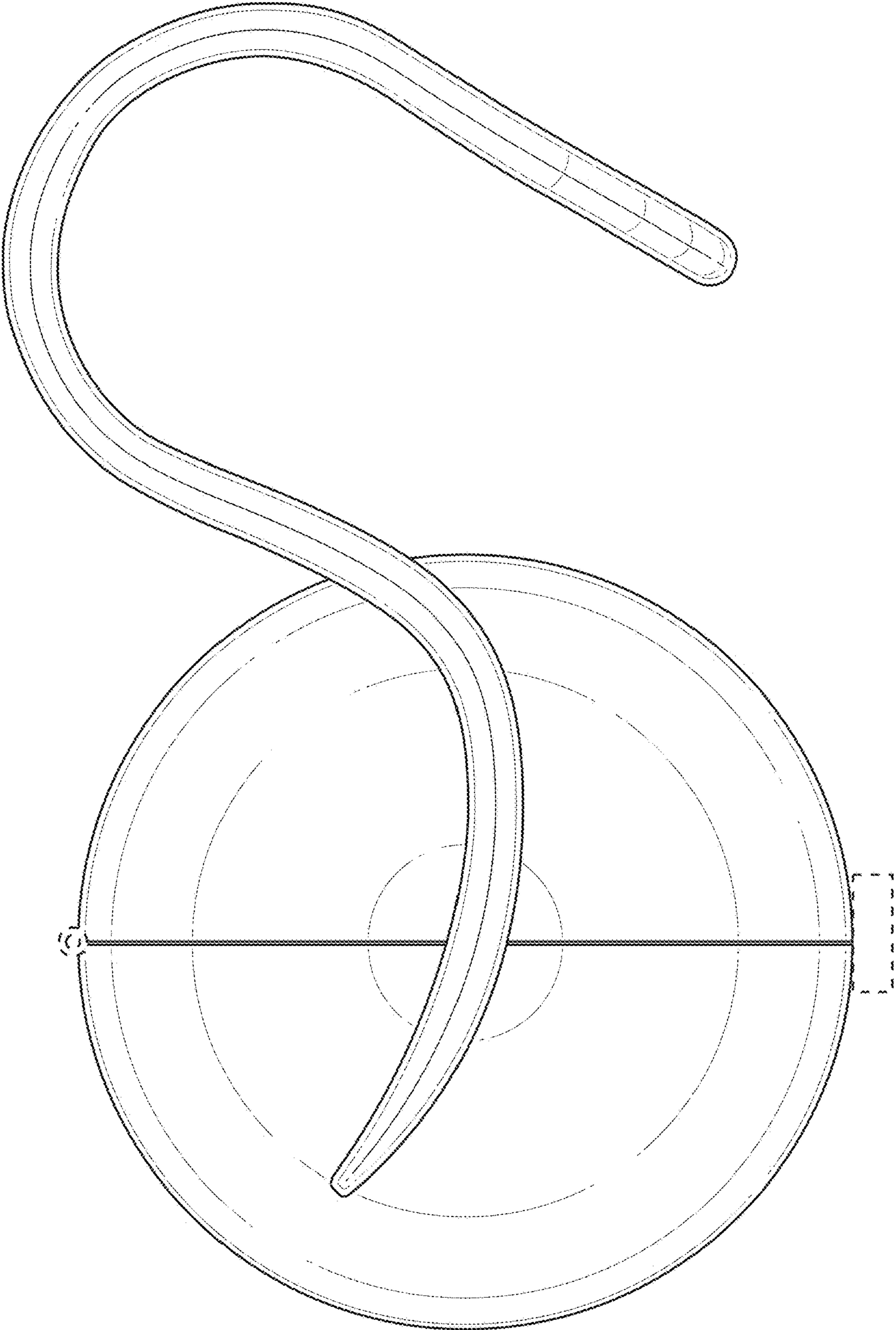


**FIG. 2**

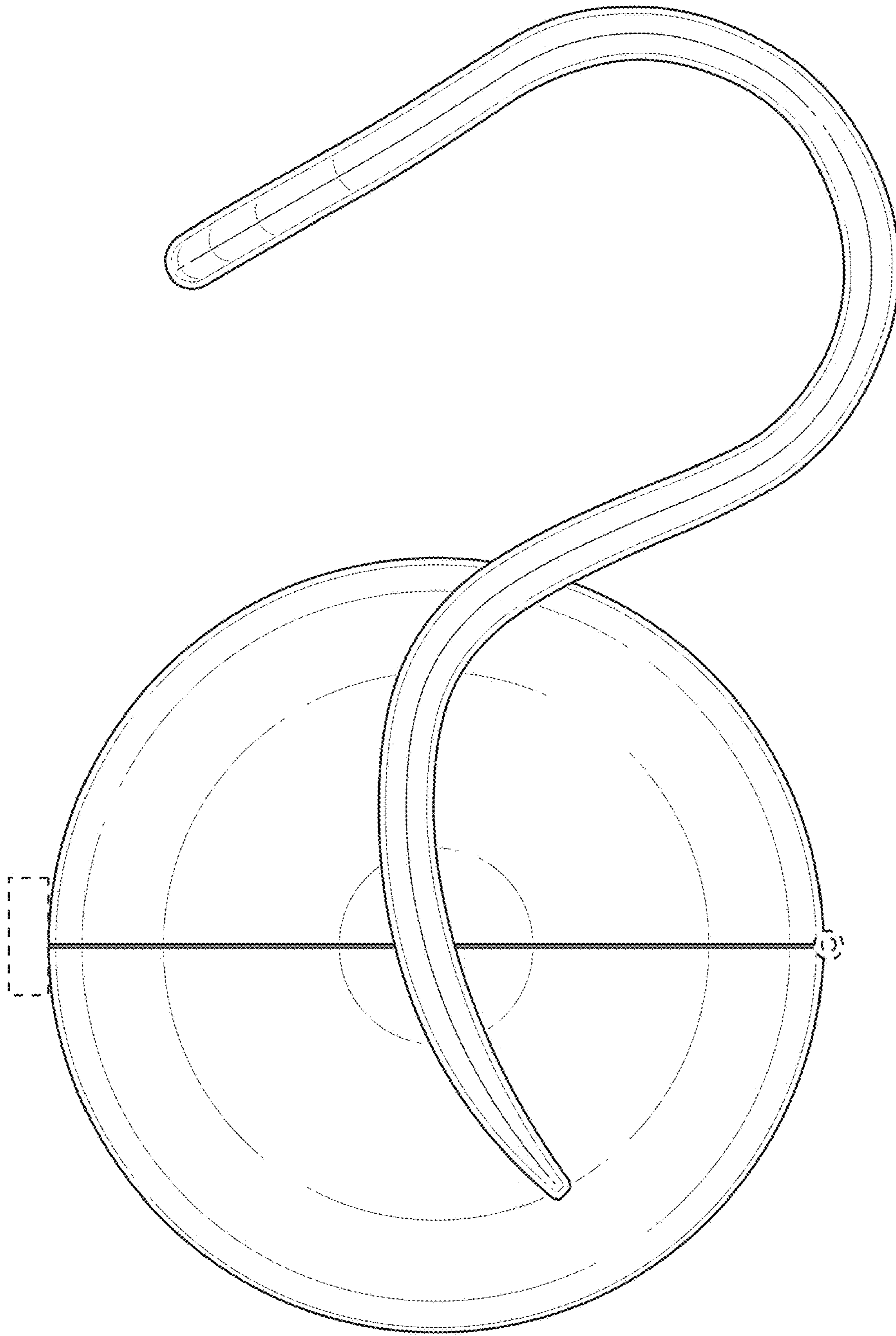




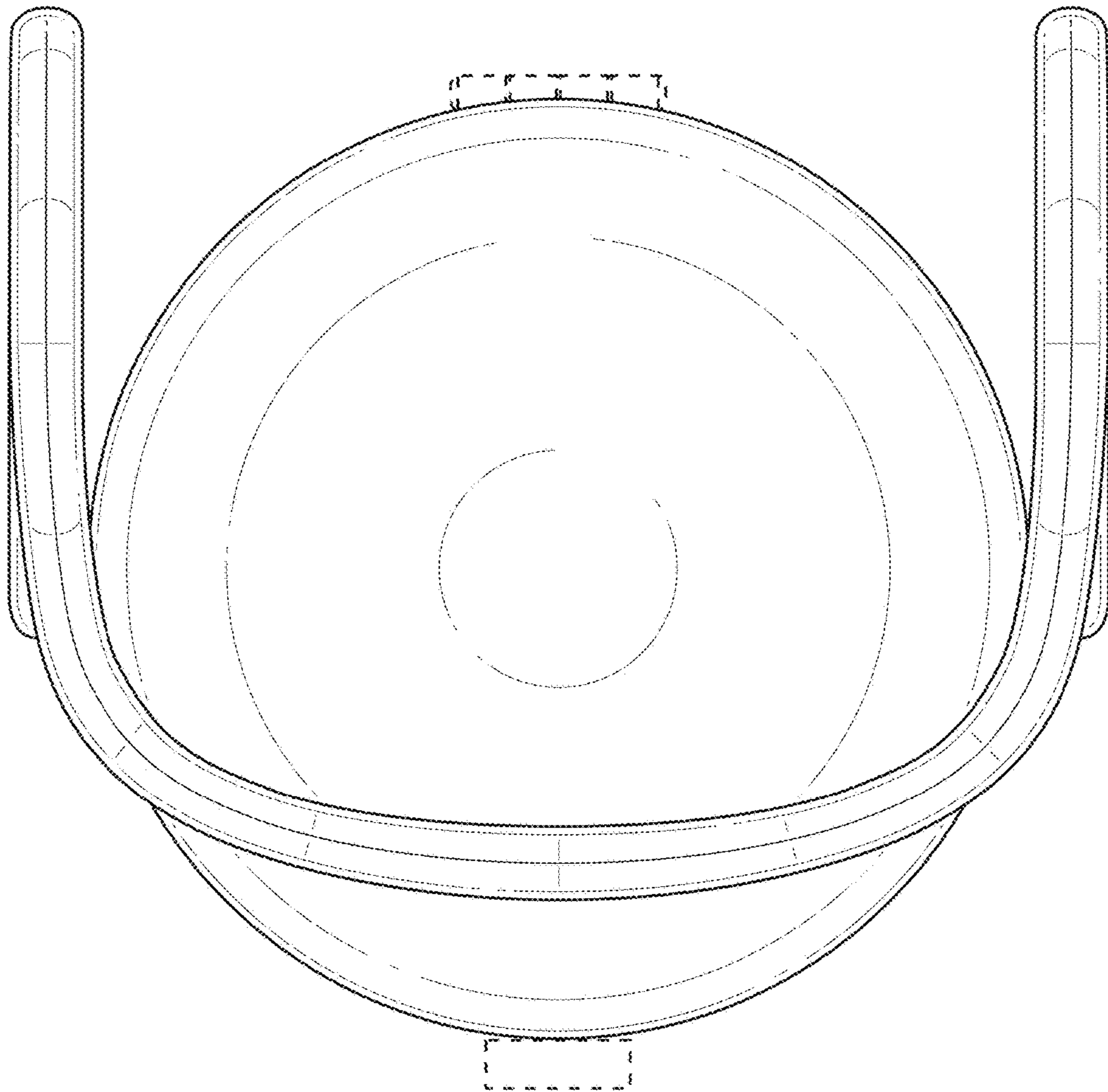
**FIG. 3**



**FIG. 4**

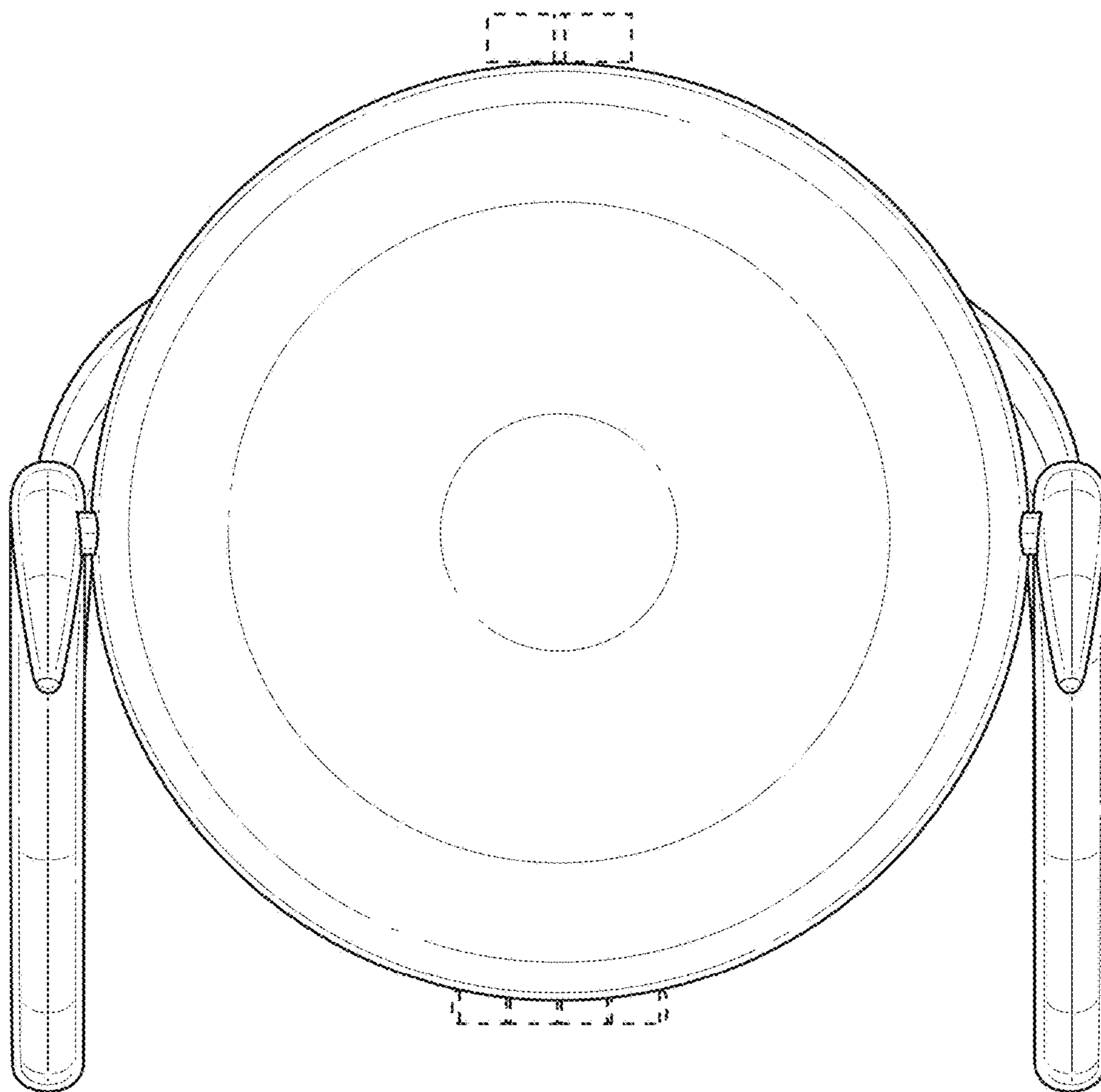


**FIG. 5**



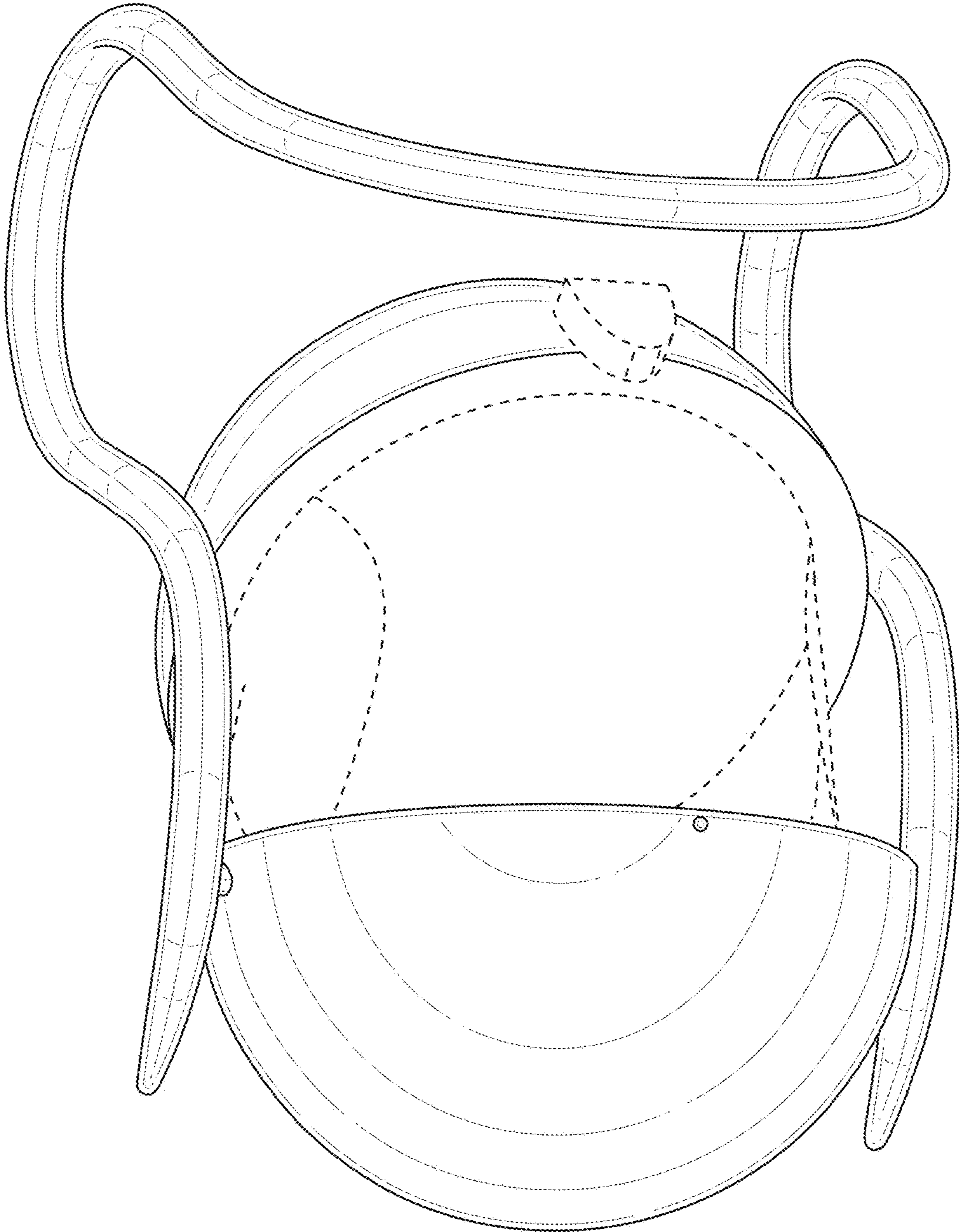
**FIG. 6**





**FIG. 7**





**FIG. 8**