



US00D85666S

(12) **United States Design Patent** (10) **Patent No.:** **US D856,666 S**  
**Marzin et al.** (45) **Date of Patent:** **\*\* Aug. 20, 2019**

(54) **SATCHEL**  
(71) Applicant: **LIVINGPACKETS SA**, Pully (CH)  
(72) Inventors: **Audrey Marzin**,  
Saint-Julien-de-Concelles (FR);  
**Jean-François Chevalier**, Paris (FR)

D403,853 S \* 1/1999 Lothrop ..... D3/216  
D413,015 S \* 8/1999 Albers ..... D3/216  
D498,585 S \* 11/2004 Darling ..... D12/416  
D500,590 S \* 1/2005 Sachen ..... D3/216  
D690,095 S \* 9/2013 Garcia ..... D3/217  
D759,370 S \* 6/2016 Godzich ..... D3/216

\* cited by examiner

(73) Assignee: **LIVINGPACKETS SA**, Pully (CH)  
(\*\*) Term: **15 Years**

*Primary Examiner* — Holly E Thurman  
(74) *Attorney, Agent, or Firm* — Harness, Dickey &  
Pierce, P.L.C.

(21) Appl. No.: **35/503,510**

(22) Filed: **Jul. 26, 2017**

(57) **CLAIM**

(80) **Hague Agreement Data**

Int. Filing Date: **Jul. 26, 2017**  
Int. Reg. No.: **DM/097091**  
Int. Reg. Date: **Jul. 26, 2017**  
Int. Reg. Pub. Date: **Aug. 11, 2017**

The ornamental design for a satchel, as shown and described.

(51) **LOC (12) Cl.** ..... **03-01**

(52) **U.S. Cl.**  
USPC ..... **D3/232**; D3/216

(58) **Field of Classification Search**  
USPC ..... D3/201, 216, 318, 321, 322, 232–233,  
D3/240–243, 245–247, 249–253  
CPC ..... A45C 1/024; A45C 3/06  
See application file for complete search history.

**DESCRIPTION**

**1.1** is a front, right perspective view of a first embodiment of a satchel showing our new design;  
**1.2** is a back, right perspective view thereof;  
**1.3** is a back view thereof;  
**1.4** is a front view thereof;  
**1.5** is a top view thereof;  
**1.6** is a bottom perspective view thereof;  
**1.7** is a right side view thereof; and  
**1.8** is a left side view thereof.

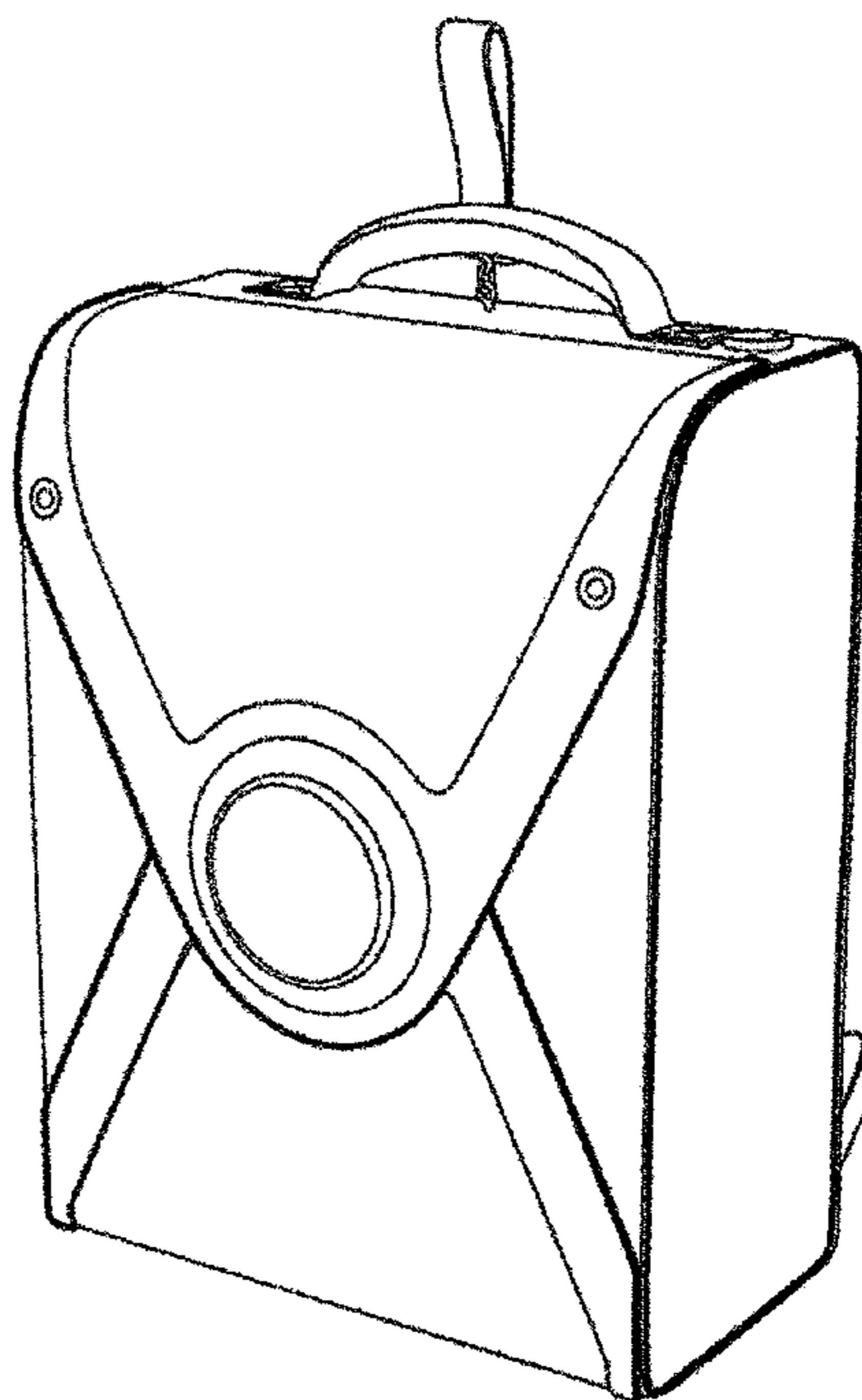
(56) **References Cited**

**U.S. PATENT DOCUMENTS**

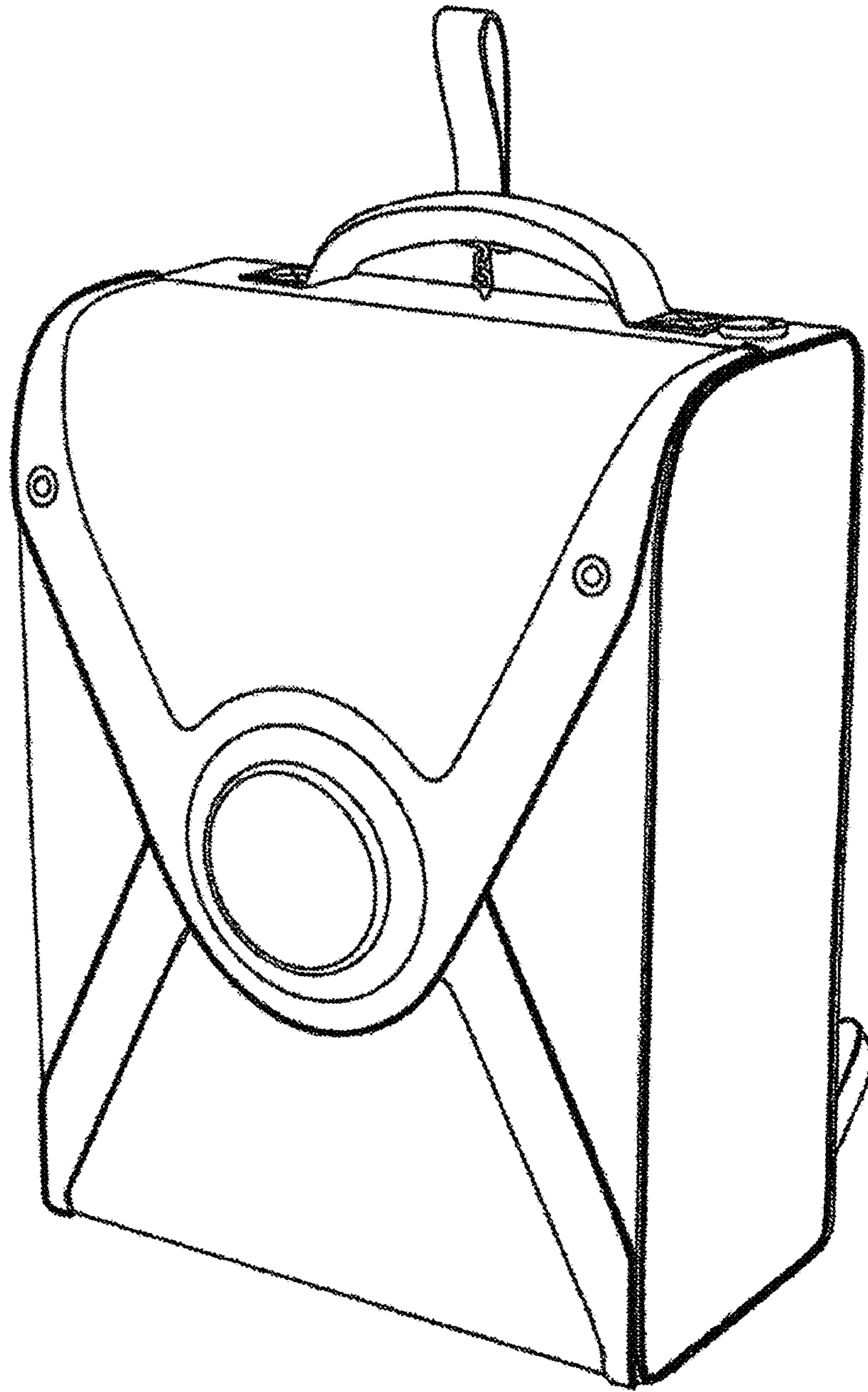
D360,182 S \* 7/1995 Lovett ..... D12/409  
D396,745 S \* 8/1998 Peterson ..... D3/216

The broken lines depict environmental subject matter only and form no part of the claimed design.

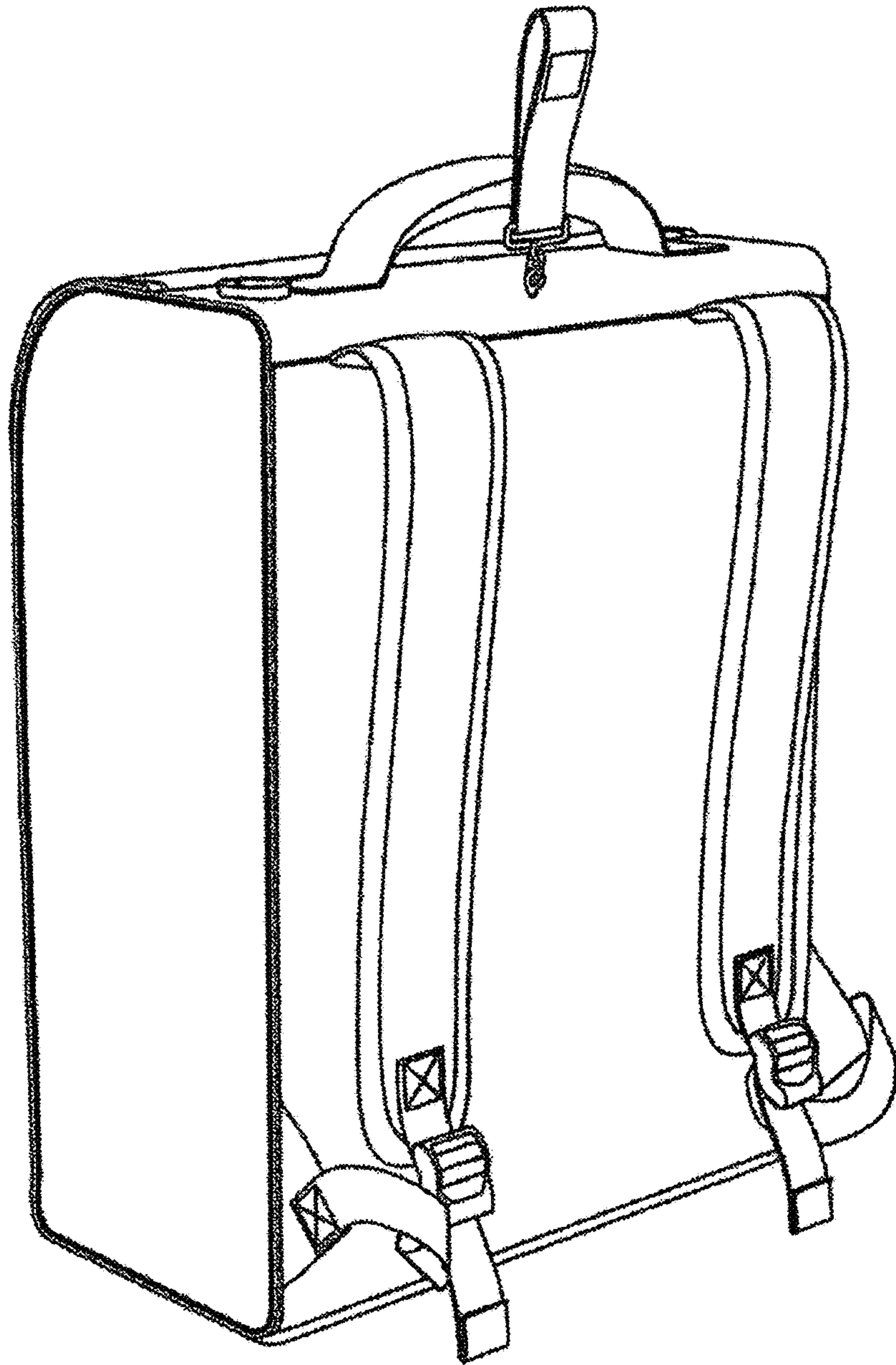
**1 Claim, 8 Drawing Sheets**



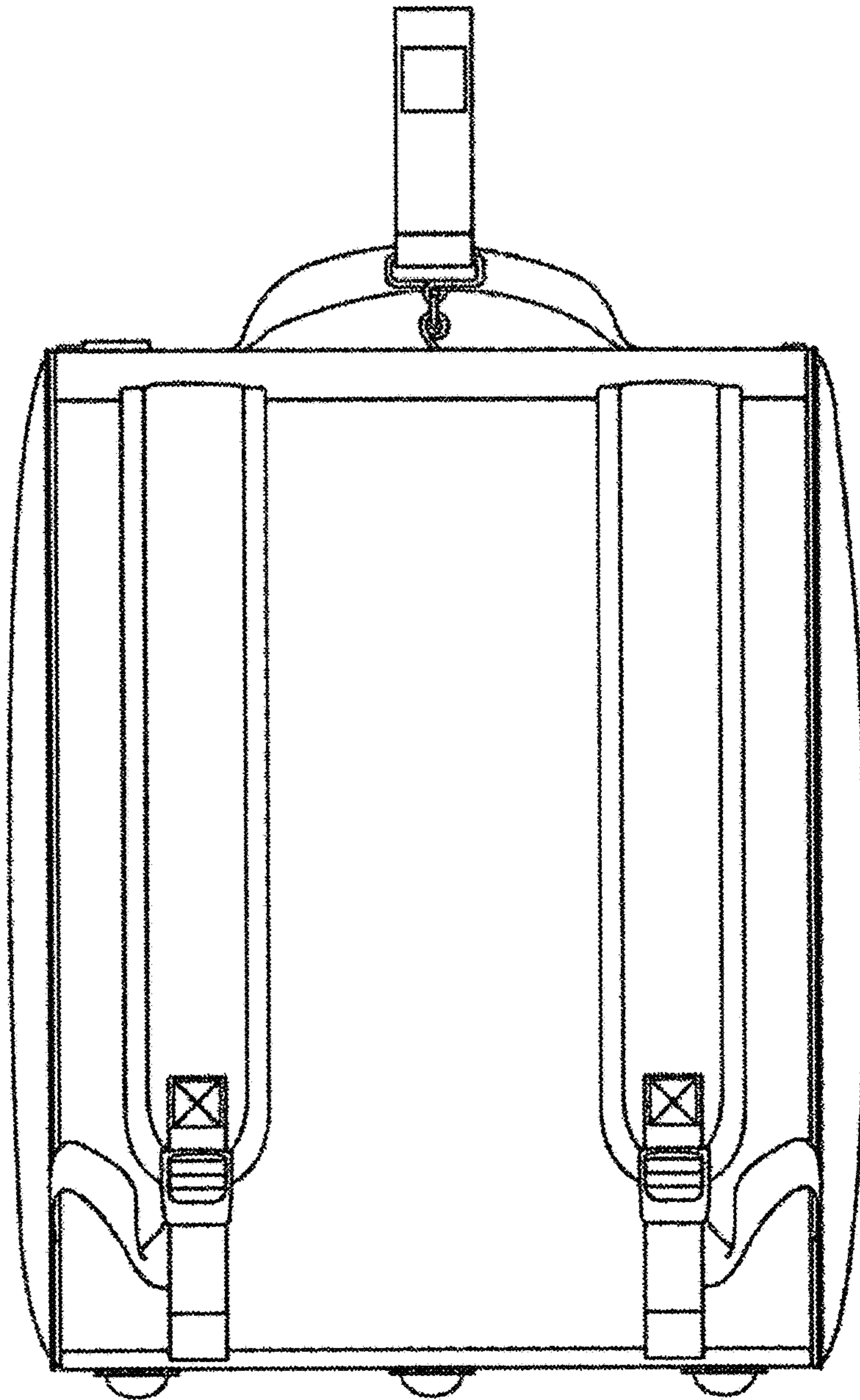
1.1



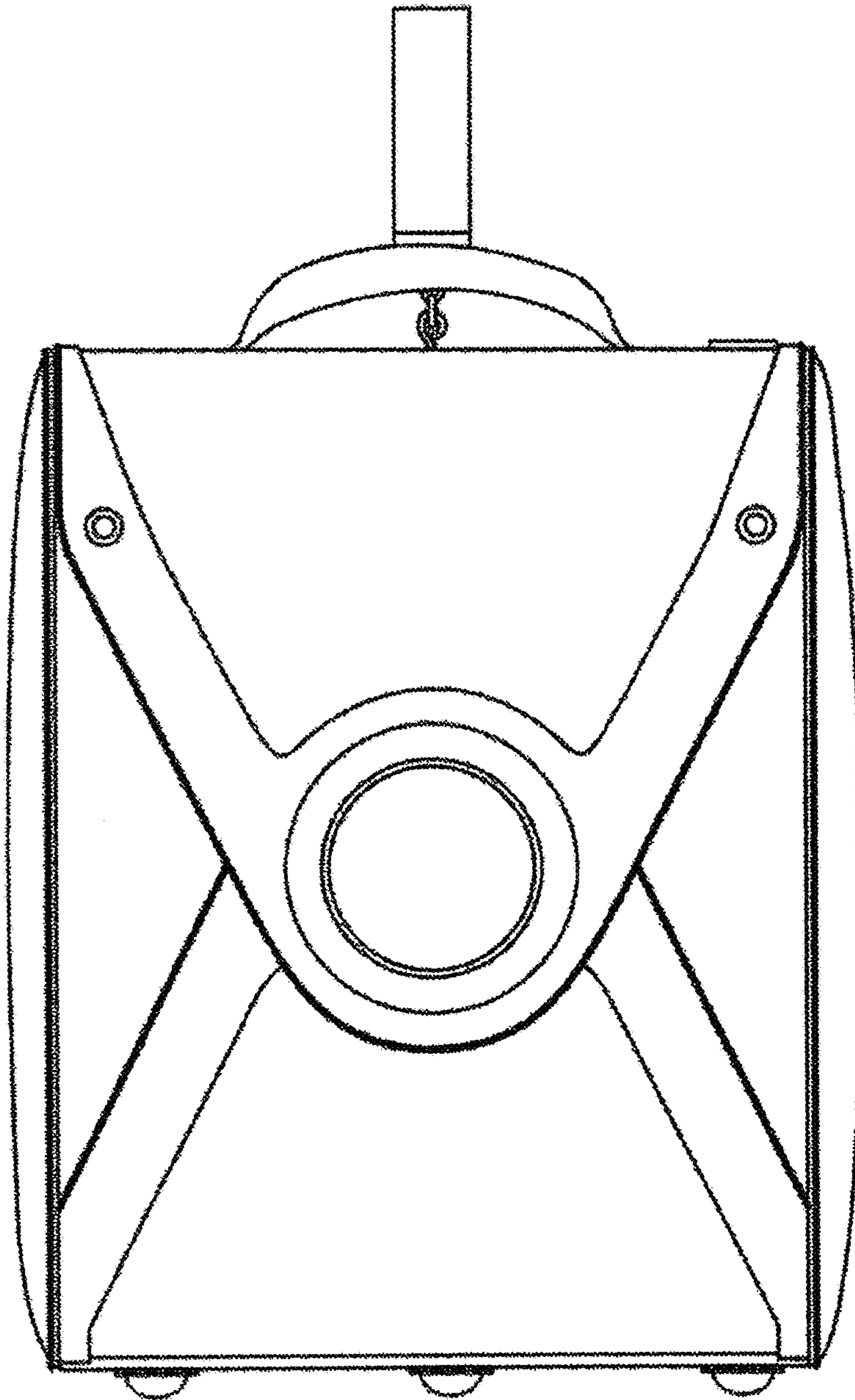
1.2



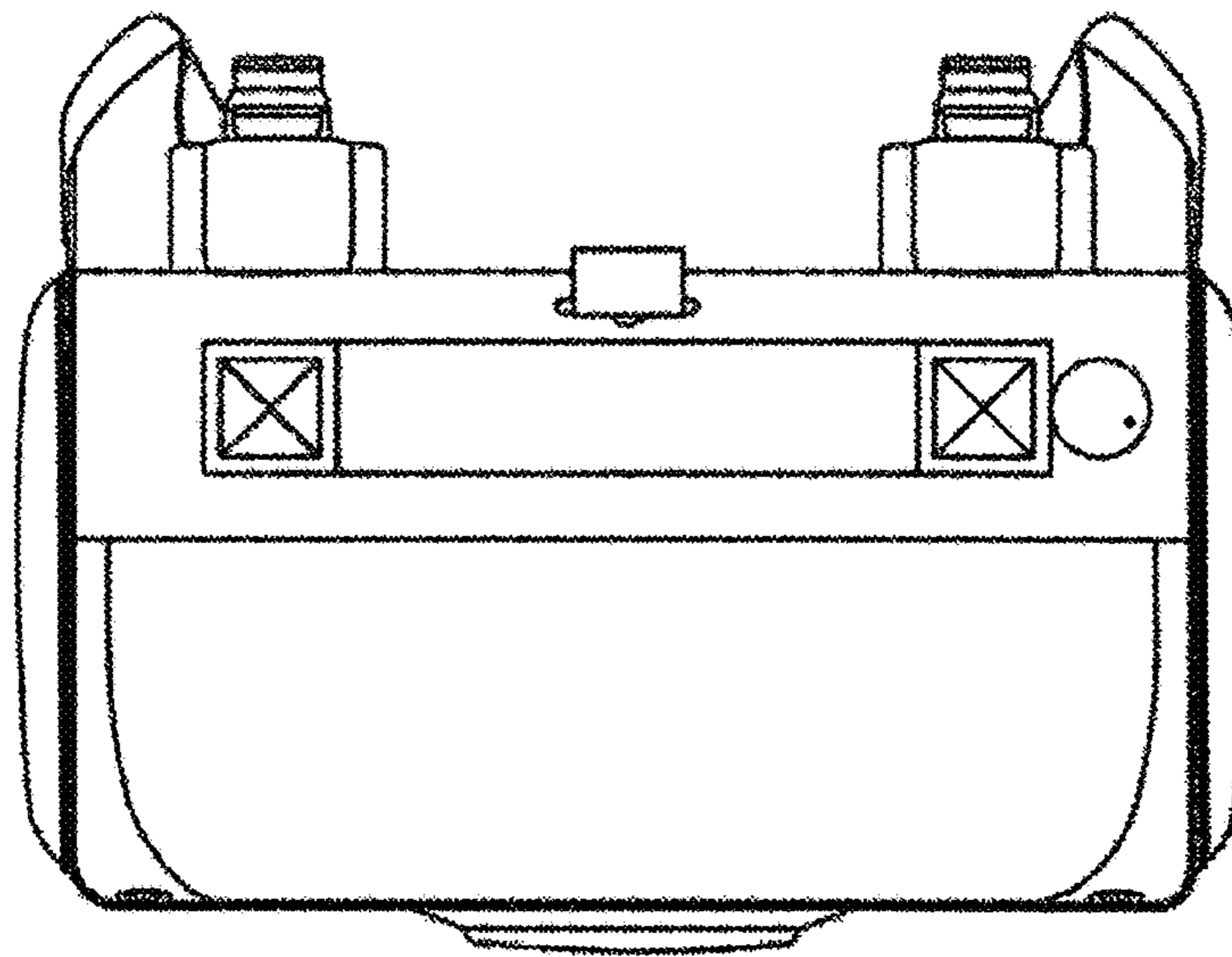
1.3

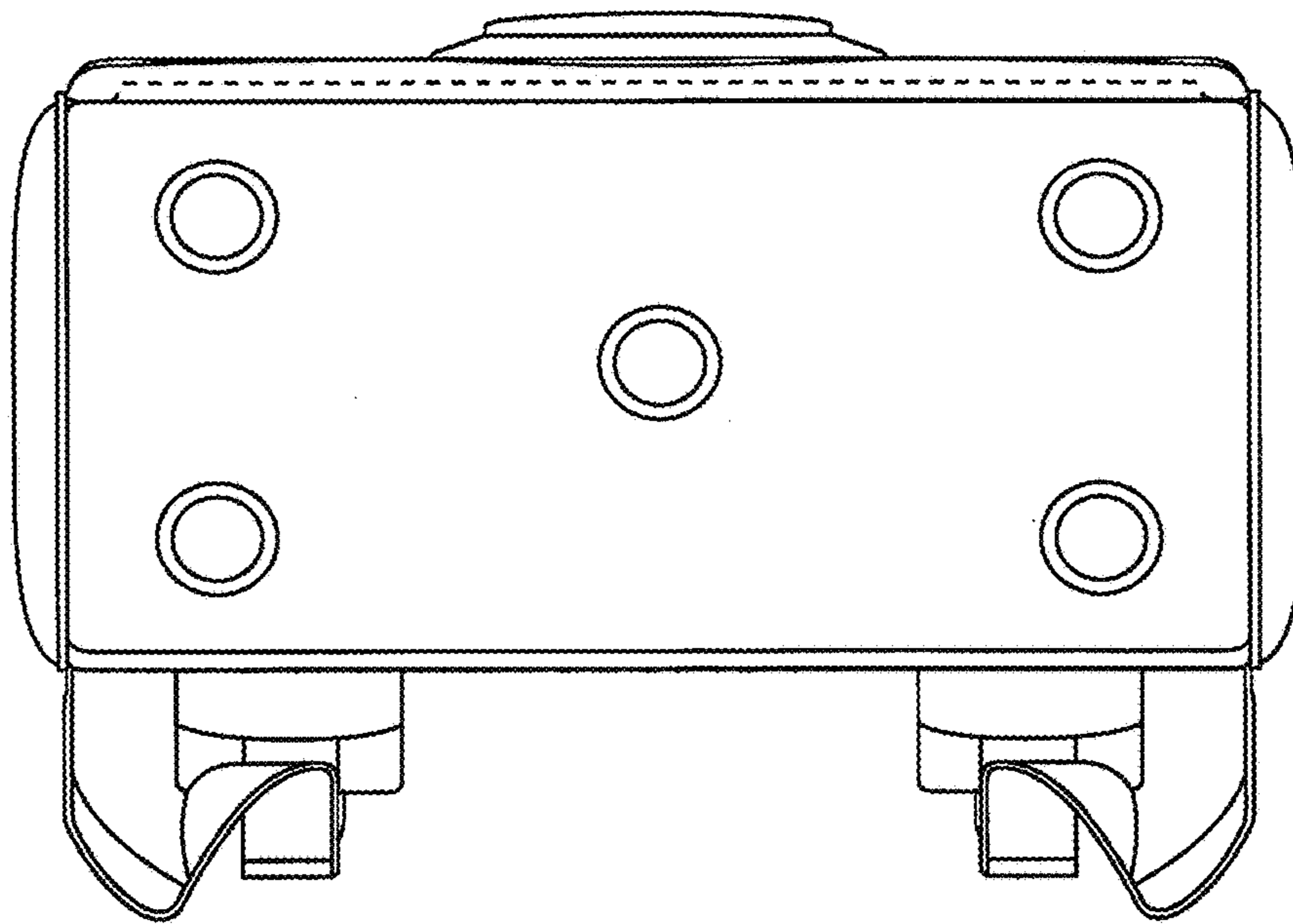


1.4

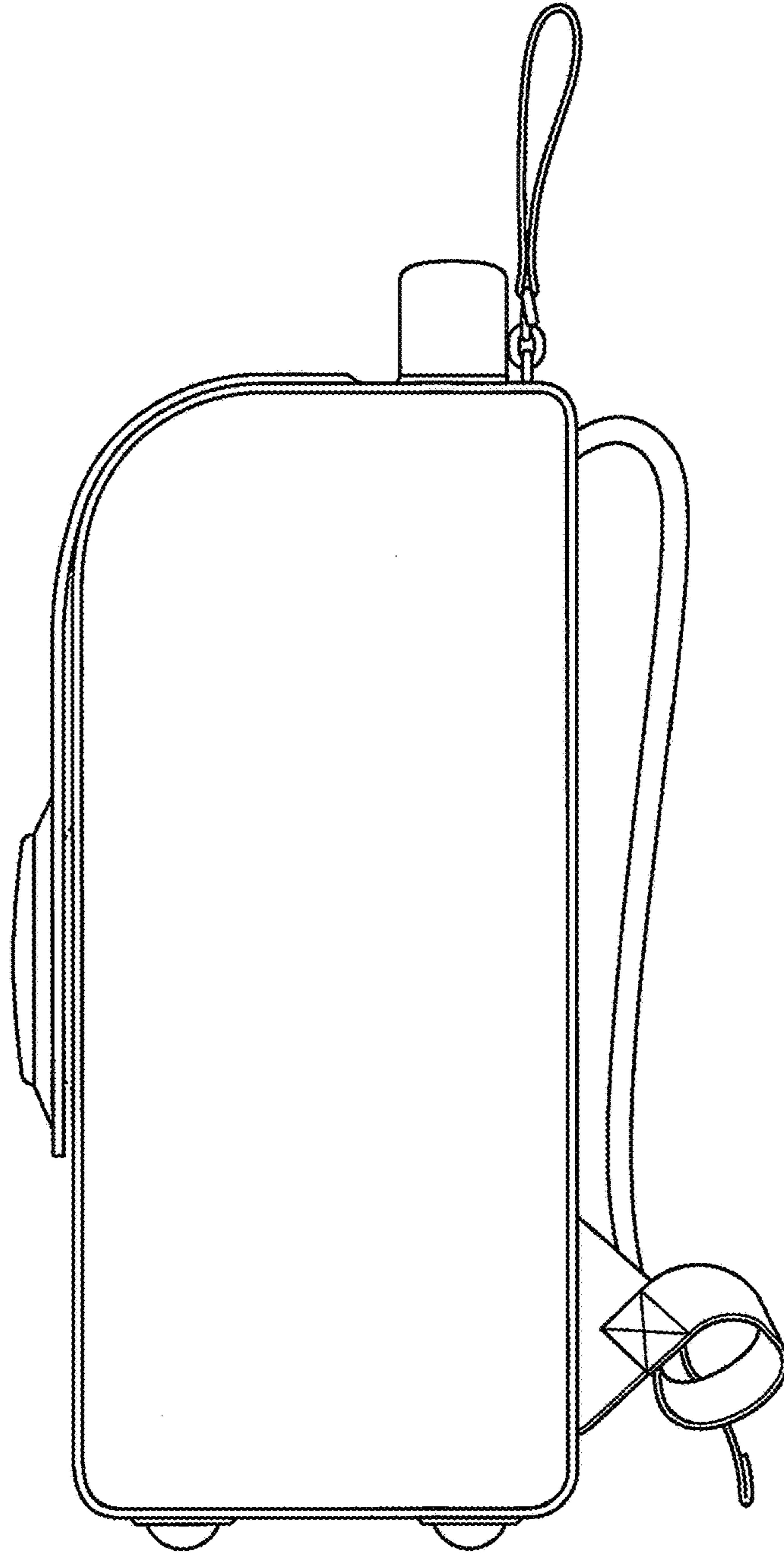


1.5



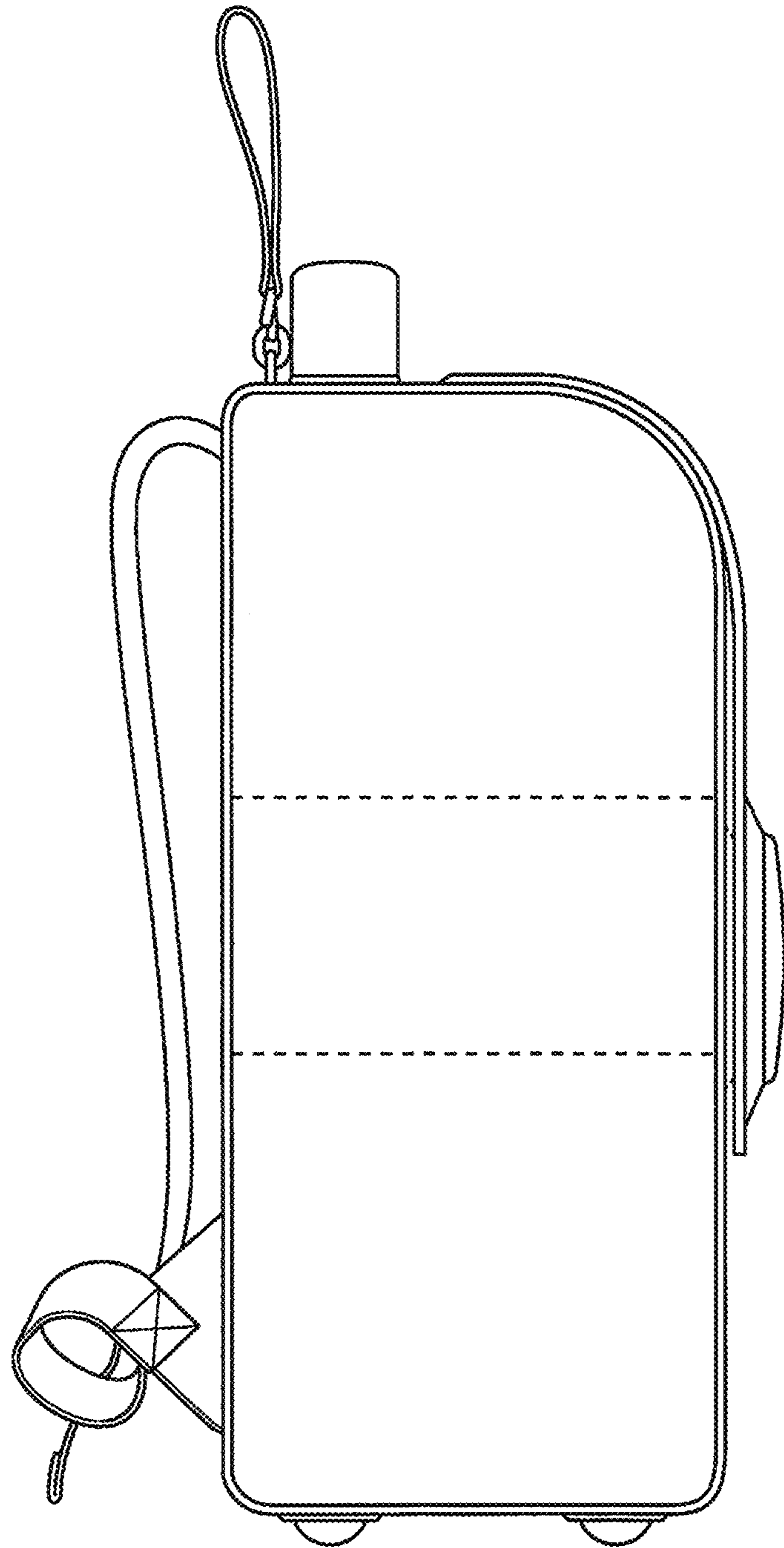


1.6



1.7





1.8