



US00D856665S

(12) **United States Design Patent** (10) **Patent No.:** **US D856,665 S**  
**Tooze et al.** (45) **Date of Patent:** **\*\* Aug. 20, 2019**

(54) **HANDBAG**  
 (71) Applicant: **Emmanuel Rey**, London (GB)  
 (72) Inventors: **Dominic Tooze**, London (GB);  
**Emmanuel Rey**, London (GB)  
 (\*\*) Term: **15 Years**

D668,042 S \* 10/2012 Nannestad ..... D3/232  
 D711,095 S \* 8/2014 Chen ..... D3/232  
 D712,651 S \* 9/2014 Proteau ..... D3/232  
 D718,931 S \* 12/2014 Brundl ..... D3/232  
 D724,317 S \* 3/2015 Proteau ..... D3/232  
 D724,836 S \* 3/2015 Thai ..... D3/232  
 D745,268 S \* 12/2015 Slimane ..... D3/232  
 D757,426 S \* 5/2016 Molina ..... D3/232  
 D761,012 S \* 7/2016 Quarless ..... D3/232

(21) Appl. No.: **35/503,235**

\* cited by examiner

(22) Filed: **Jun. 6, 2017**

*Primary Examiner* — Holly E Thurman

(80) **Hague Agreement Data**

(74) *Attorney, Agent, or Firm* — Sean L. Sweeney; Taylor A. Noonan; Tredecim LLC

Int. Filing Date: **Jun. 6, 2017**  
 Int. Reg. No.: **DM/096359**  
 Int. Reg. Date: **Jun. 6, 2017**  
 Int. Reg. Pub. Date: **Jun. 23, 2017**

(57) **CLAIM**

The ornamental design for a handbag, as shown and described.

(51) **LOC (12) Cl.** ..... **03-01**

**DESCRIPTION**

(52) **U.S. Cl.**  
USPC ..... **D3/232**

(58) **Field of Classification Search**  
USPC ..... D3/232–233, 240–243, 245–247,  
D3/249–253

1. Handbag
  - 1.1 : Right
  - 1.2 : Front
  - 1.3 : Bottom
  - 1.4 : Top
  - 1.5 : Back
  - 1.6 : Left
  - 1.7 : Perspective
  - 1.8 : Perspective
- A pyramidal shaped bag.

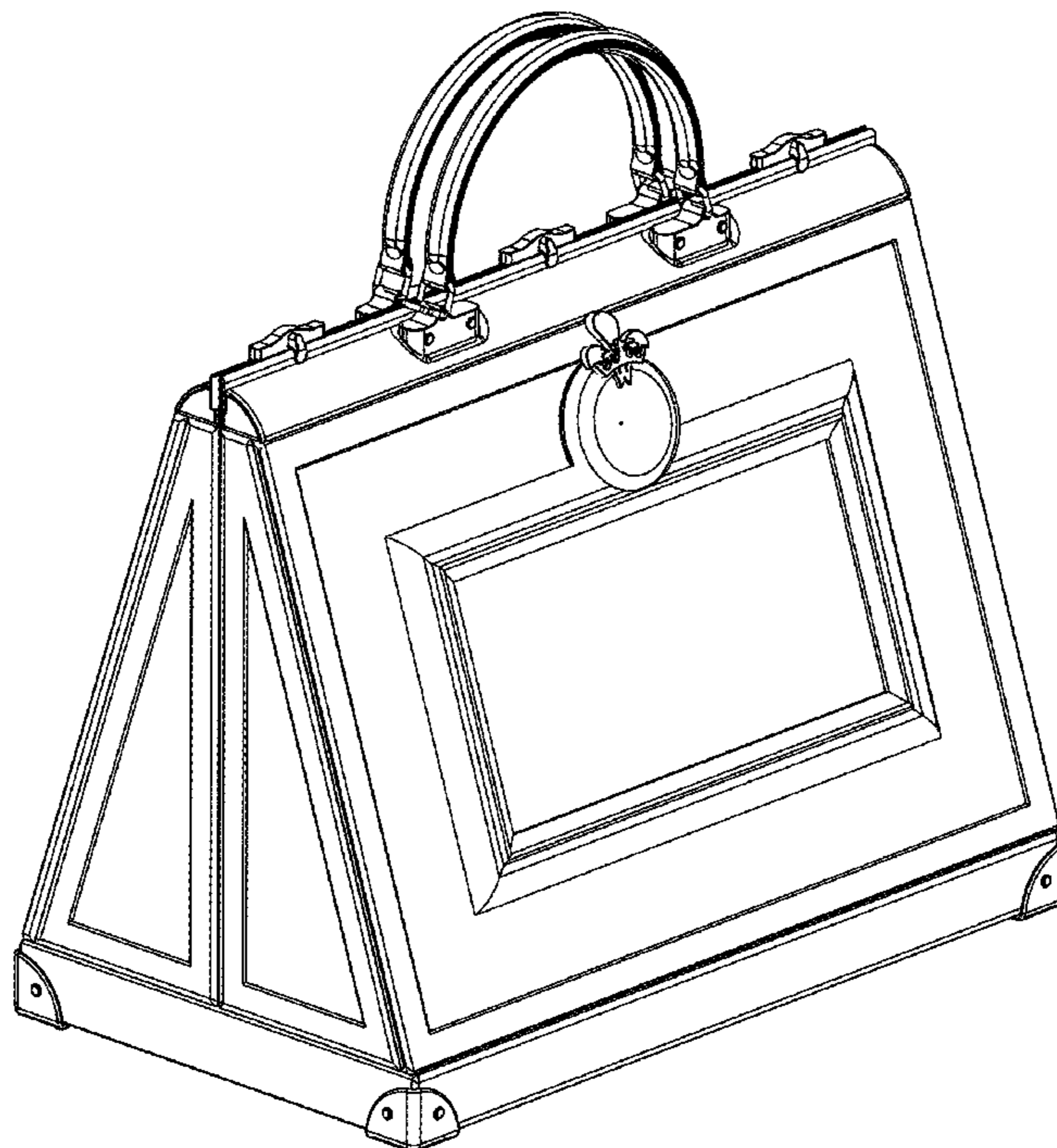
CPC ..... A45C 1/024; A45C 3/06  
See application file for complete search history.

(56) **References Cited**

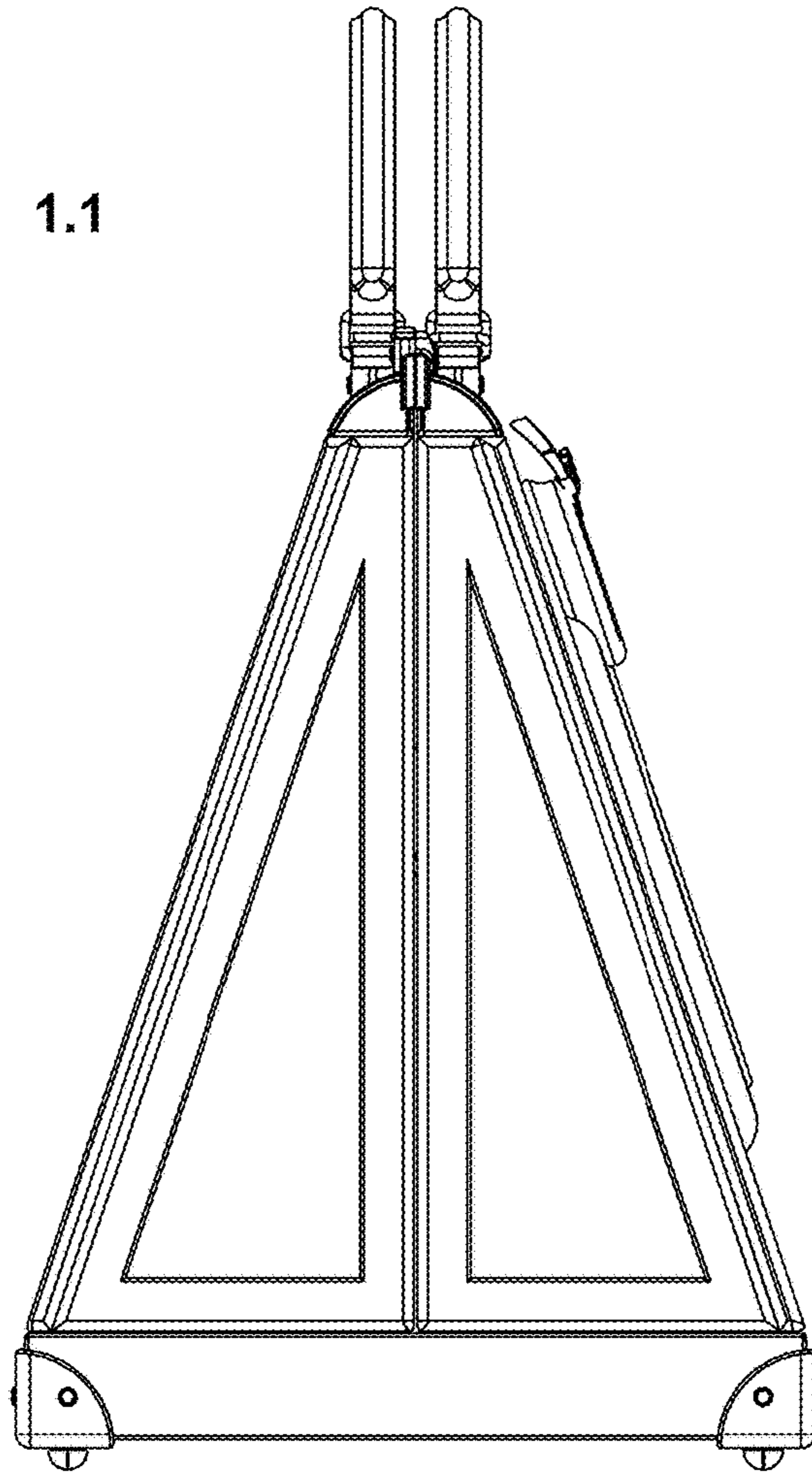
**U.S. PATENT DOCUMENTS**

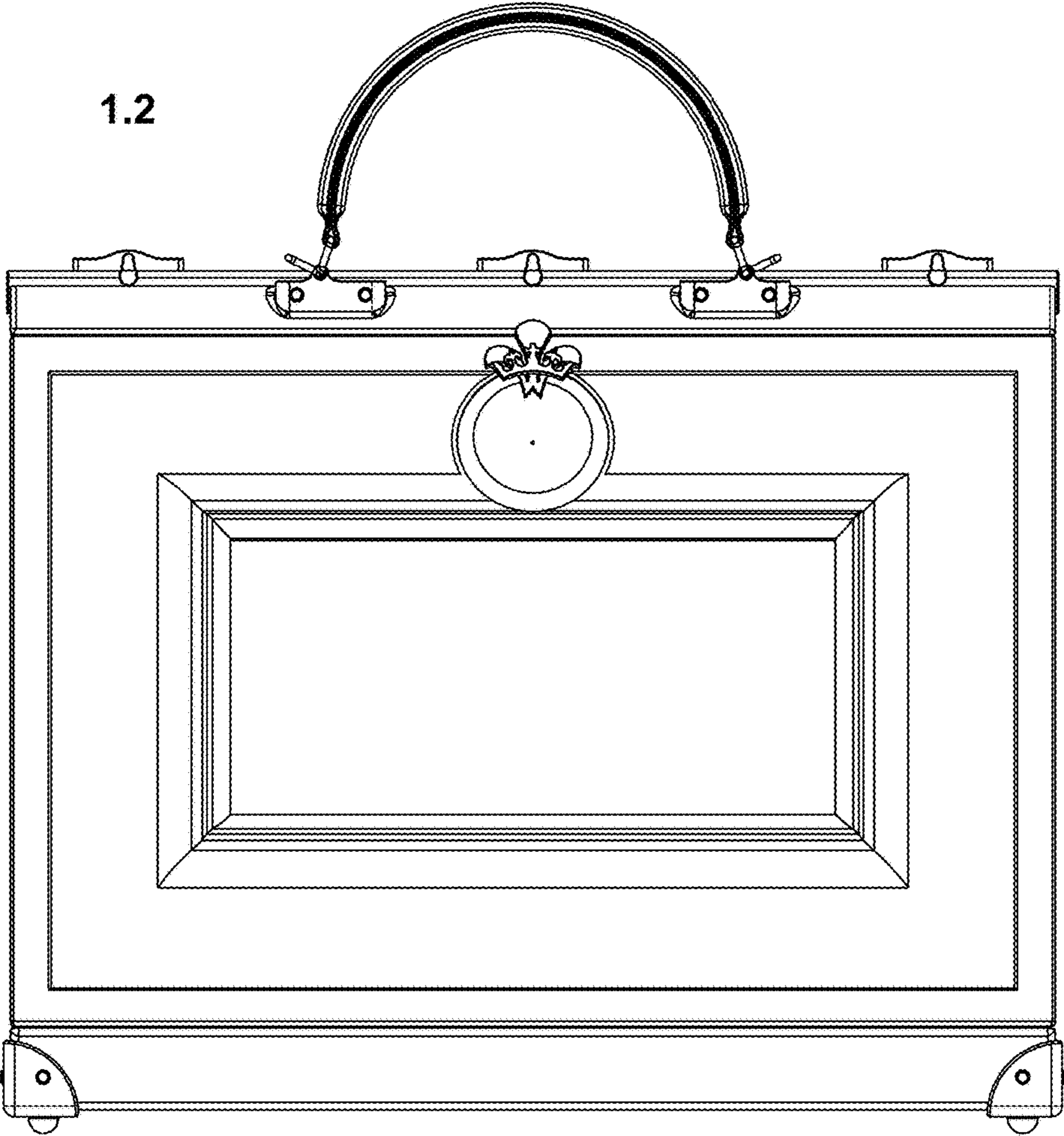
D610,801 S \* 3/2010 Romero ..... D3/232  
 D636,988 S \* 5/2011 Romero ..... D3/232

**1 Claim, 8 Drawing Sheets**

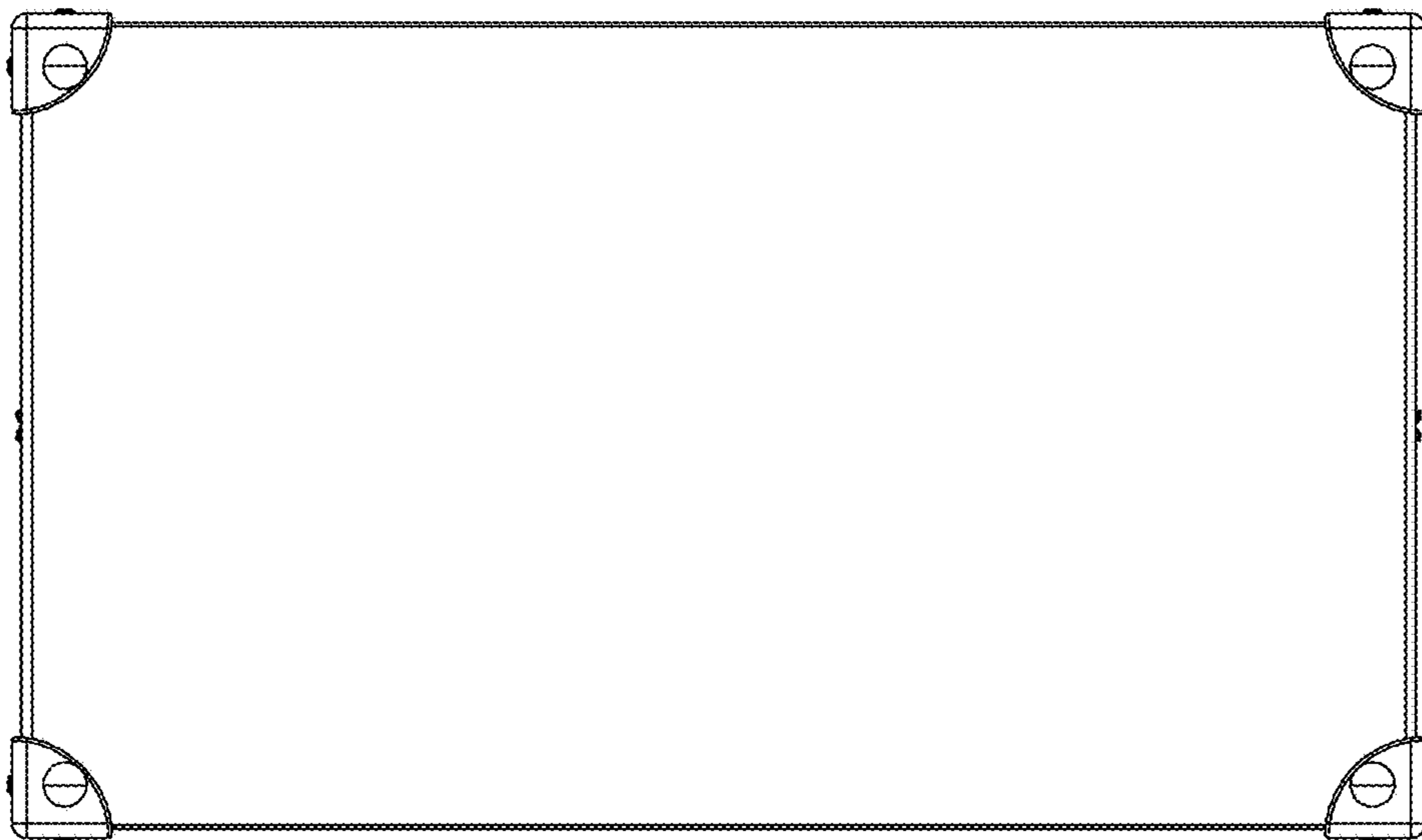


1.1

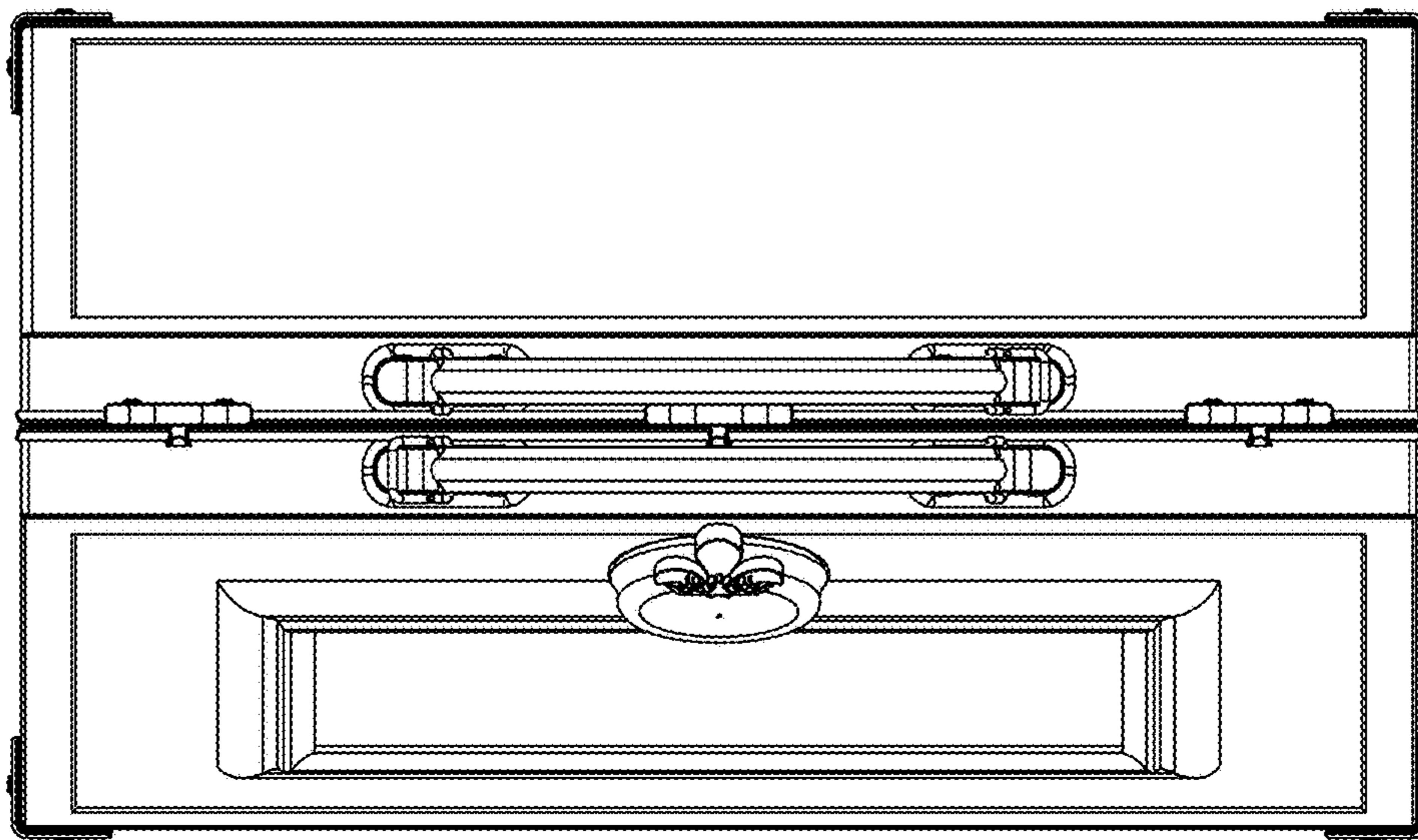


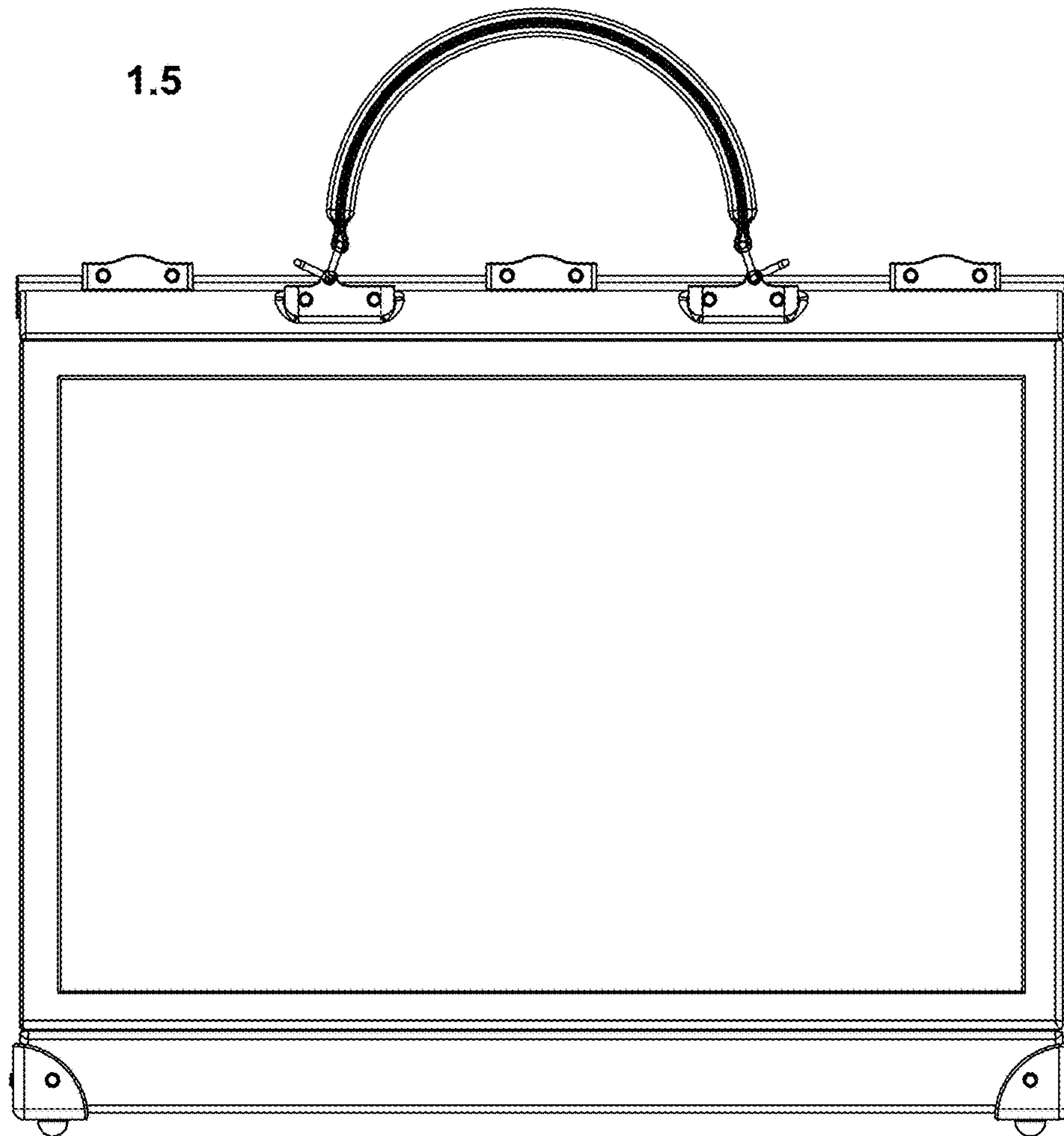


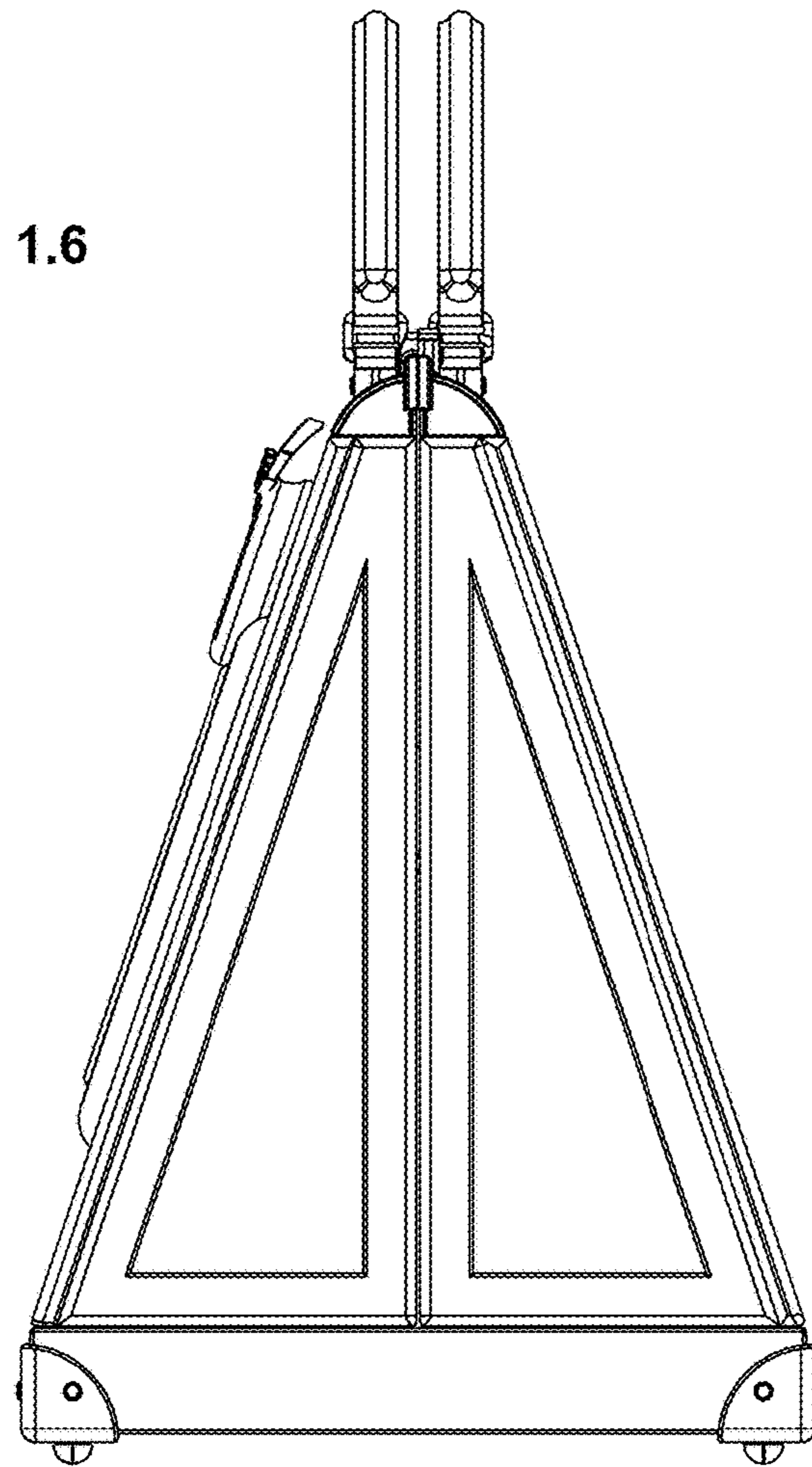
1.3



1.4







1.7

