



US00D856664S

(12) **United States Design Patent** (10) **Patent No.:** **US D856,664 S**
Swartzel (45) **Date of Patent:** **** Aug. 20, 2019**

- (54) **UTILITY TOTE PANEL INSERT**
- (71) Applicant: **Thirty-One Gifts LLC**, Columbus, OH (US)
- (72) Inventor: **Elizabeth Ann Swartzel**, Columbus, OH (US)
- (73) Assignee: **Thirty-One Gifts LLC**, Columbus, OH (US)
- (**) Term: **15 Years**
- (21) Appl. No.: **29/564,975**
- (22) Filed: **May 17, 2016**

- 2,507,842 A 5/1950 Waddill
- 2,679,877 A 6/1954 Leggett
- 2,697,465 A 12/1954 Johnson
- 3,041,638 A 7/1962 Lo Vico
- 3,533,459 A 10/1970 Ody
- 3,550,663 A 12/1970 Johnston
- 3,777,862 A 12/1973 Zipper

(Continued)

Primary Examiner — Derrick E Holland
Assistant Examiner — Jennifer O King
 (74) *Attorney, Agent, or Firm* — Porter, Wright, Morris & Arthur, LLP

(57) **CLAIM**

The ornamental design for a utility tote panel insert, as shown and described.

Related U.S. Application Data

- (63) Continuation-in-part of application No. 29/495,009, filed on Jun. 26, 2014, now Pat. No. Des. 759,372, which is a continuation-in-part of application No. 29/493,802, filed on Jun. 13, 2014, now Pat. No. Des. 752,861.
- (51) **LOC (12) Cl.** **03-01**
- (52) **U.S. Cl.**
USPC **D3/232**
- (58) **Field of Classification Search**
USPC D3/232, 233, 240–243, 245–246, 303, D3/310, 315, 318, 319, 900; 150/100, 150/103–110, 113–114, 117–119; D7/605, 607; 383/39, 106, 38; 190/107, 190/901; D6/315
CPC A45C 1/024; A45C 3/06; A45C 13/02; A45C 7/0054
See application file for complete search history.

DESCRIPTION

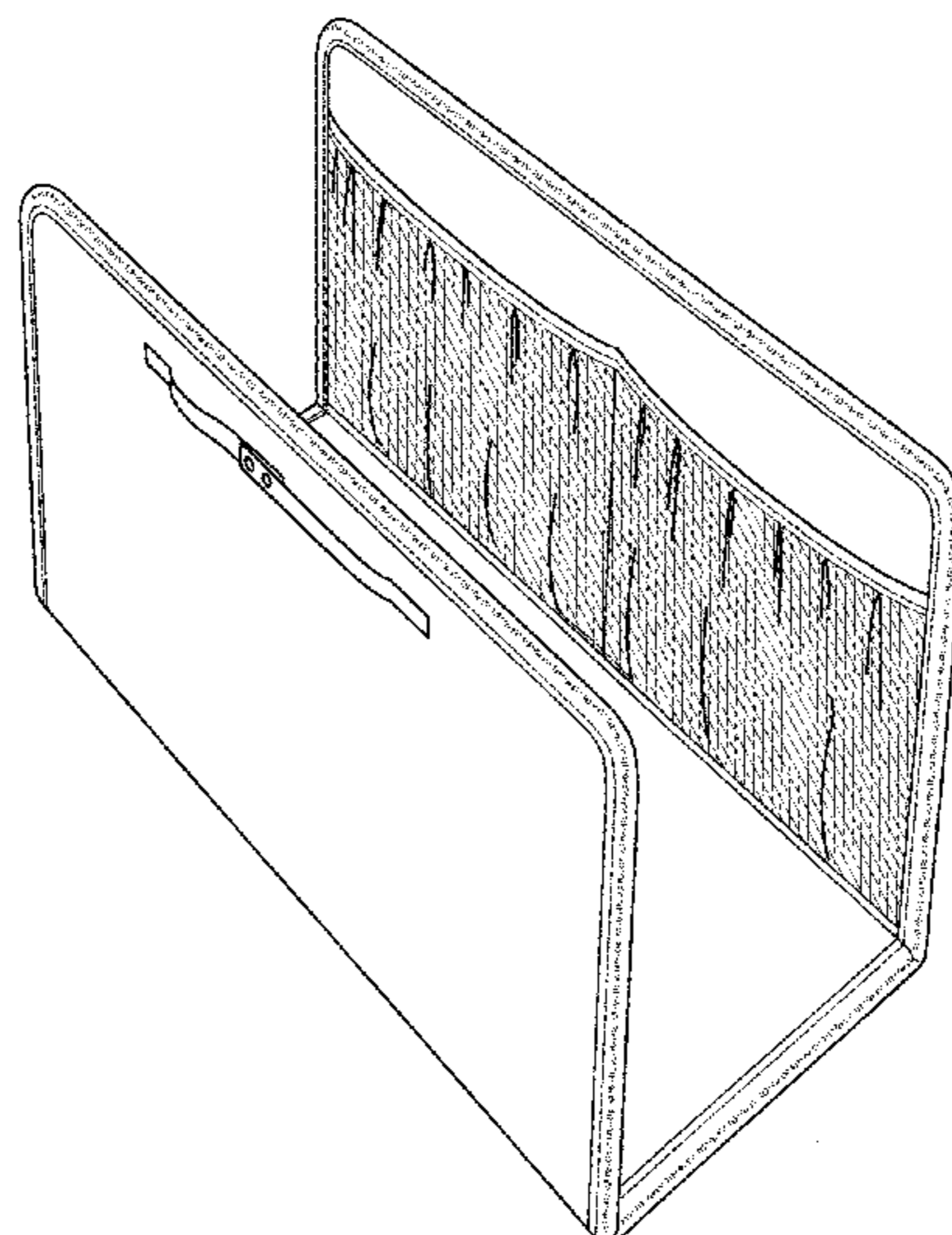
FIG. 1 is a front perspective view of a utility tote panel insert according to our new design, wherein the utility tote panel insert is in a folded configuration;
 FIG. 2 is a rear view thereof;
 FIG. 3 is a front view thereof;
 FIG. 4 is a top view thereof;
 FIG. 5 is a bottom view thereof;
 FIG. 6 is a left-side view thereof;
 FIG. 7 is a right-side view thereof;
 FIG. 8 is a top perspective view of the utility tote panel insert of FIGS. 1 to 7, but wherein the utility tote panel insert is in a flat or unfolded configuration;
 FIG. 9 is a bottom perspective view thereof;
 FIG. 10 is a top view thereof;
 FIG. 11 is a bottom view thereof;
 FIG. 12 is a rear view thereof;
 FIG. 13 is a front view thereof; and,
 FIG. 14 is a left-side view thereof, the right side view being a mirror image thereof.
 The broken lines in the figures indicate stitching and form a part of the claimed design.

(56) **References Cited**

U.S. PATENT DOCUMENTS

- 954,840 A 4/1910 Wiedemann
- 1,559,046 A 10/1925 McLeran
- 1,684,232 A 9/1928 Levit

1 Claim, 8 Drawing Sheets



(56)

References Cited

U.S. PATENT DOCUMENTS

3,994,372 A	11/1976	Geller	7,543,701 B2	6/2009	Suda	
4,101,994 A	7/1978	Hoyt	D596,396 S	7/2009	McCoy	
D252,596 S	8/1979	Adler	D593,752 S	9/2009	de Natale	
4,188,988 A	2/1980	Agyagos	D600,918 S	9/2009	Carlevale	
4,535,878 A	8/1985	Grahl	D603,606 S	11/2009	Wang	
4,716,947 A	1/1988	Haddock	D609,473 S *	2/2010	Boonma	D3/318
D328,522 S	8/1992	Buck	D630,013 S	1/2011	Yu	
D334,661 S	4/1993	Kohn	D630,844 S	1/2011	Wang	
D347,115 S	5/1994	Breedlove	7,896,152 B1	3/2011	Bruht	
D354,399 S	1/1995	Tucker	D637,809 S	5/2011	Meldeau	
D388,250 S	12/1997	Robinson et al.	D641,549 S	7/2011	Caldwell	
5,692,604 A	12/1997	Houk	8,225,829 B2 *	7/2012	Melamed	A45C 1/024 150/113
5,779,033 A	7/1998	Roegner	D669,683 S	10/2012	Caperon	
D397,871 S	9/1998	Bellehchilli	8,312,568 B2	11/2012	Marois	
D408,146 S	4/1999	Briganti	D679,091 S	4/2013	Zidlick	
5,911,463 A	6/1999	Fesko	D683,137 S	5/2013	Davis	
5,918,711 A	7/1999	Godshaw	D688,449 S	8/2013	Schinasi	
D420,510 S	2/2000	Ratan	D702,043 S	4/2014	Johnson et al.	
D422,411 S	4/2000	Martin	D711,096 S	8/2014	Hanna	
6,129,210 A	10/2000	Rustemeyer	D713,644 S	9/2014	Johnson et al.	
6,296,094 B1	10/2001	Knecht	D717,040 S	11/2014	Swartzel	
6,341,894 B1	1/2002	Quinines	D720,537 S	1/2015	Jones	
D456,517 S	4/2002	Kraska	D723,278 S	3/2015	Van Migem	
D460,622 S	7/2002	Wong	D732,294 S	6/2015	Hu	
D476,150 S	6/2003	Stulman	D732,829 S	6/2015	Johnson et al.	
D491,354 S	6/2004	Chapelier	D733,342 S	7/2015	Johnson et al.	
6,874,624 B2	4/2005	Redzisz	D736,521 S	8/2015	Tarter	
6,948,599 B2	9/2005	Rodrigue et al.	D744,235 S	12/2015	Eskandry	
6,994,050 B2	2/2006	Johnson et al.	D768,989 S *	10/2016	Johnson	D3/319
7,028,870 B2	4/2006	Valdez-Campbell	9,565,914 B1 *	2/2017	Marraccini	A45C 13/02
D535,820 S	1/2007	Kamiya	D784,020 S *	4/2017	Kutting	D3/319
D569,610 S	5/2008	Wang	D785,335 S *	5/2017	Halliday	D3/319
D572,006 S	7/2008	Preston et al.	D792,090 S *	7/2017	Chandra	D3/232
D572,472 S	7/2008	Saconay-Duhart	D798,055 S *	9/2017	Duzoglou	D3/303
D587,010 S	2/2009	Deck	D815,437 S *	4/2018	Wright	D3/319
			2003/0164216 A1	9/2003	Starr	
			2013/0201666 A1	8/2013	Melamed	

* cited by examiner

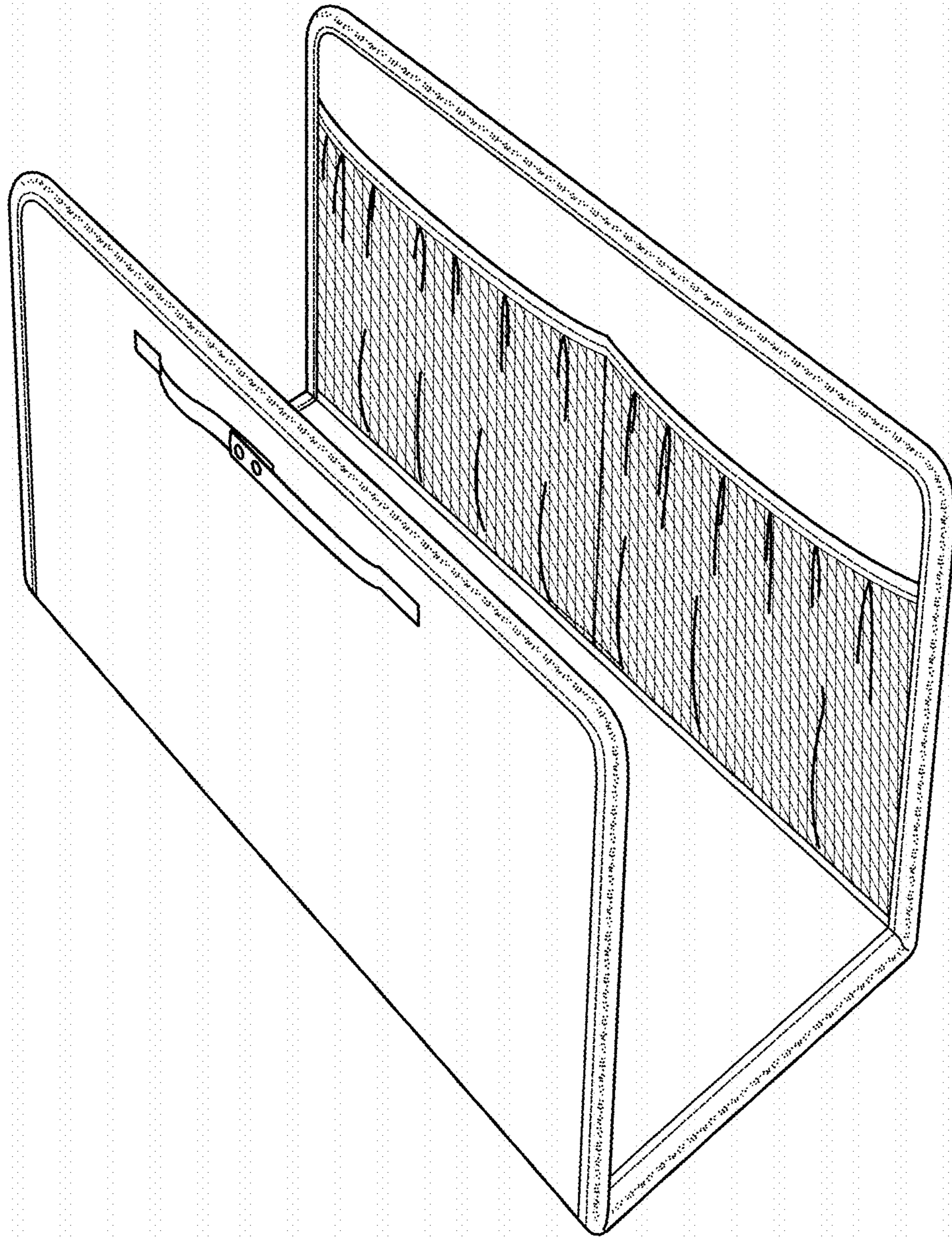


Fig. 1

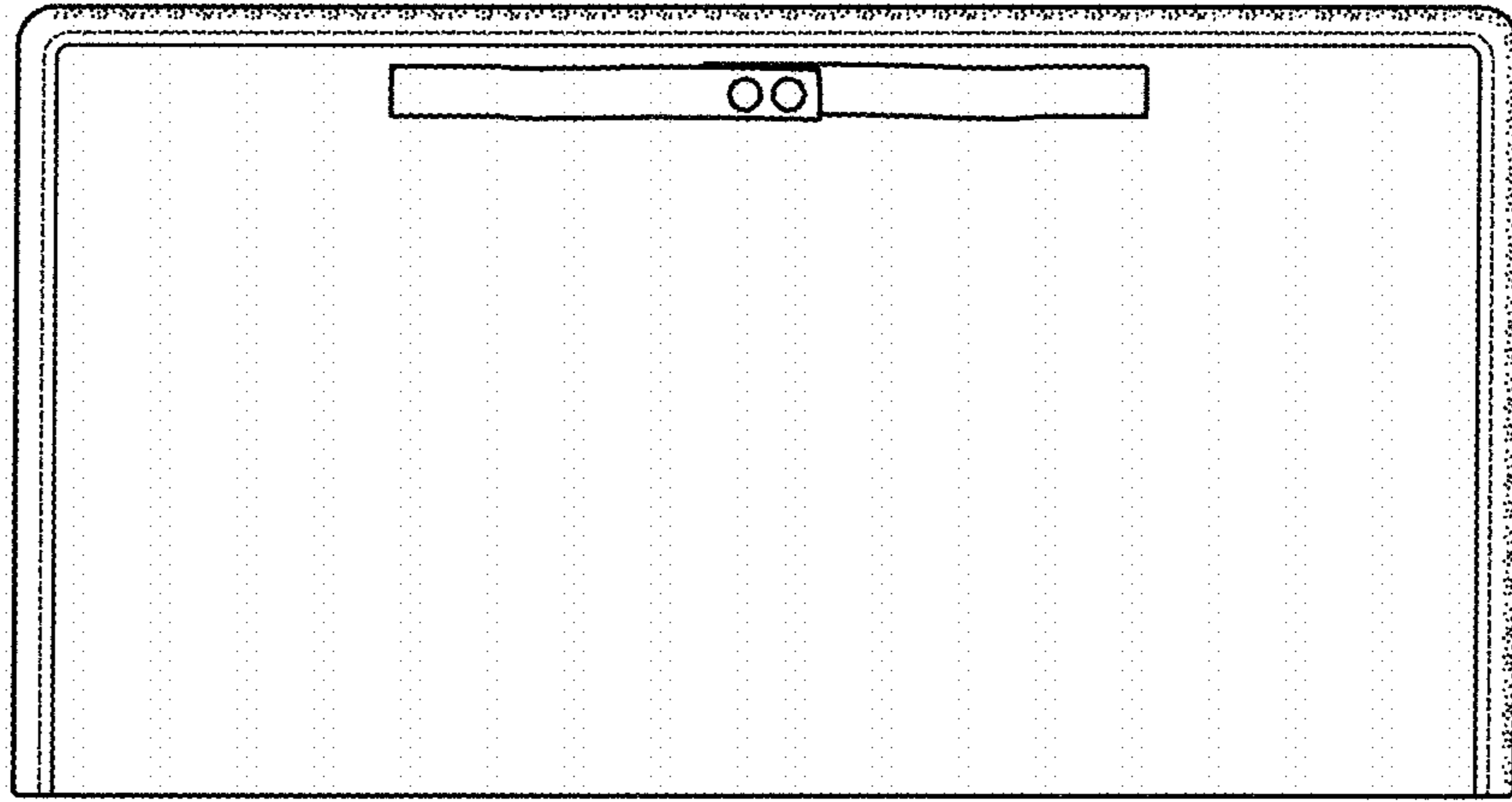


Fig. 2

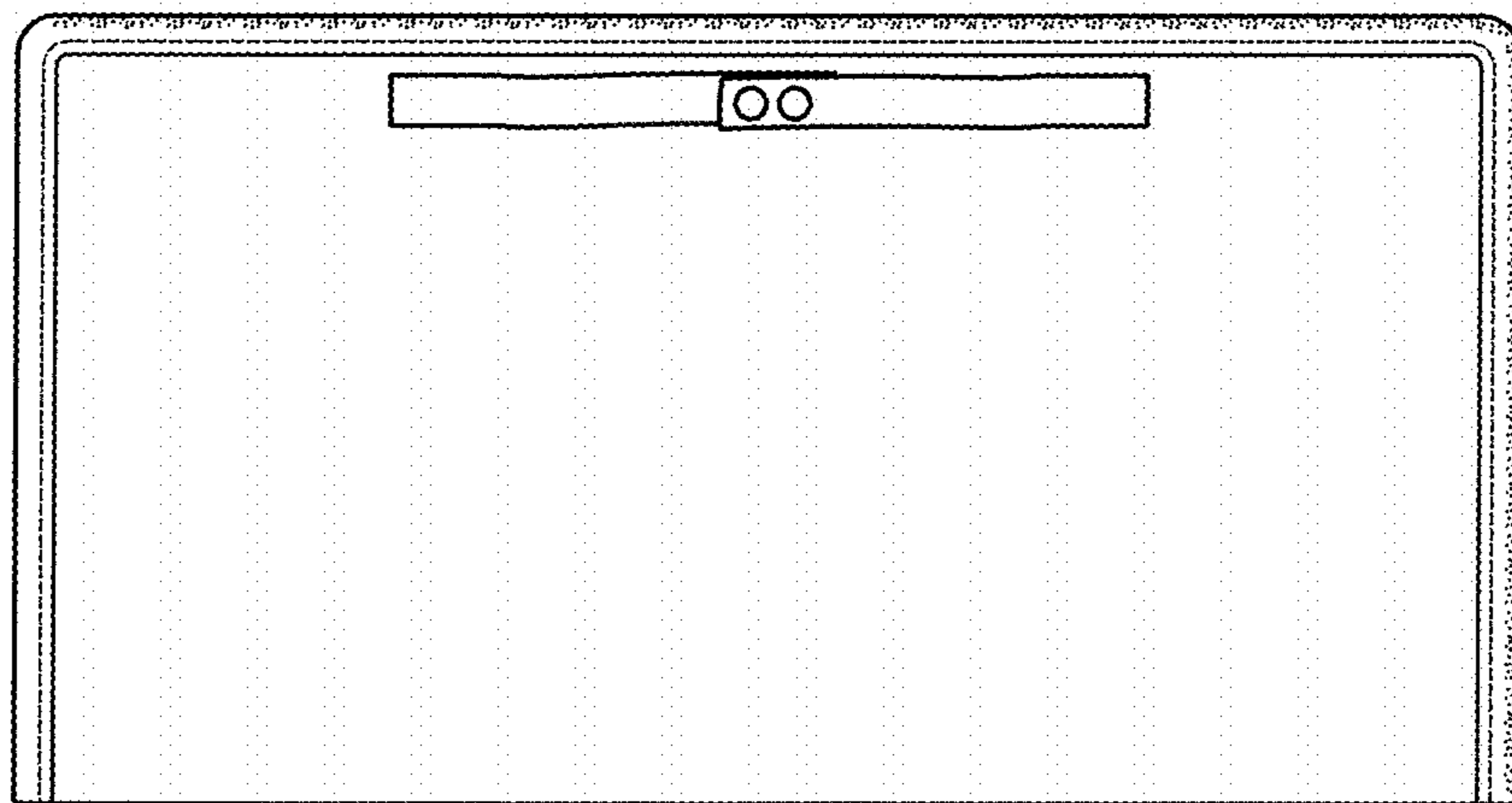


Fig. 3

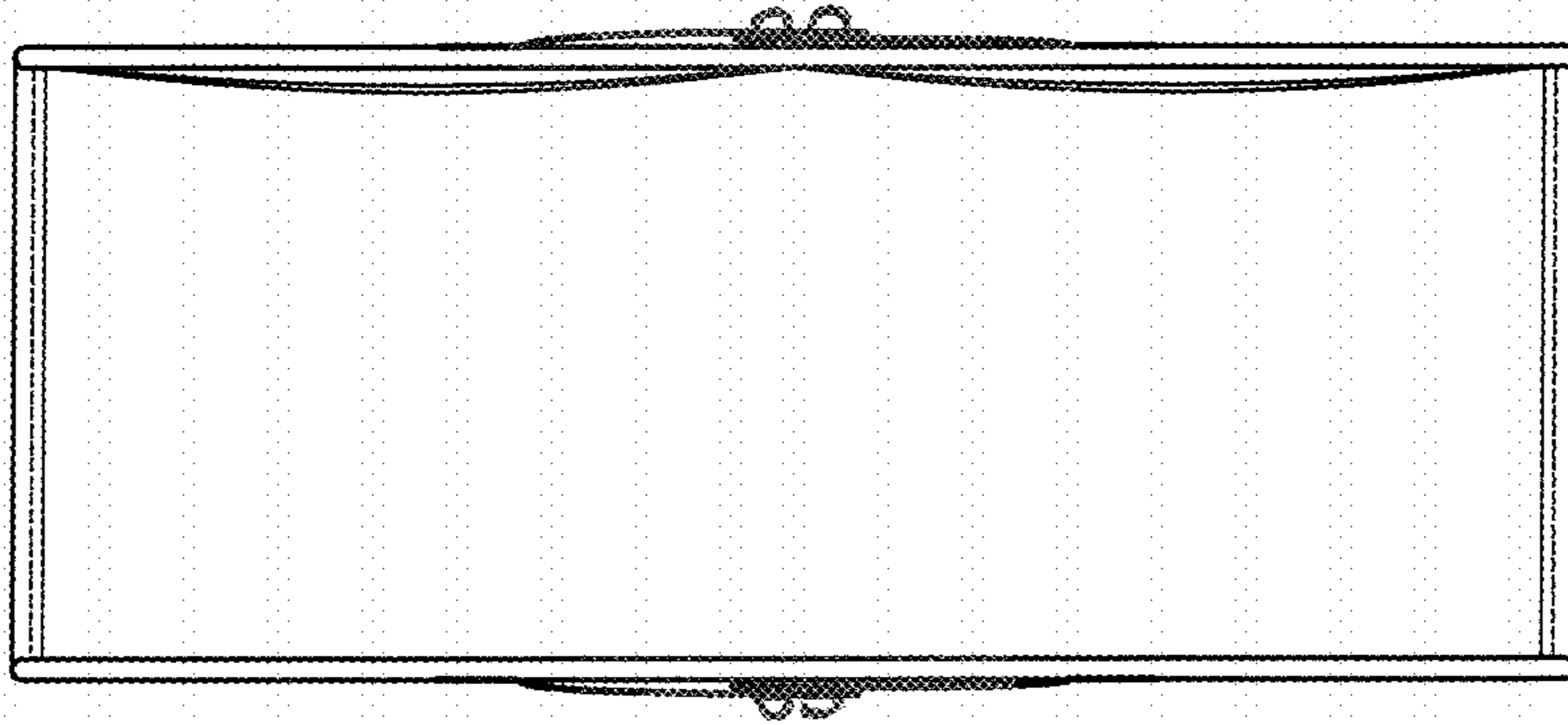


Fig. 4

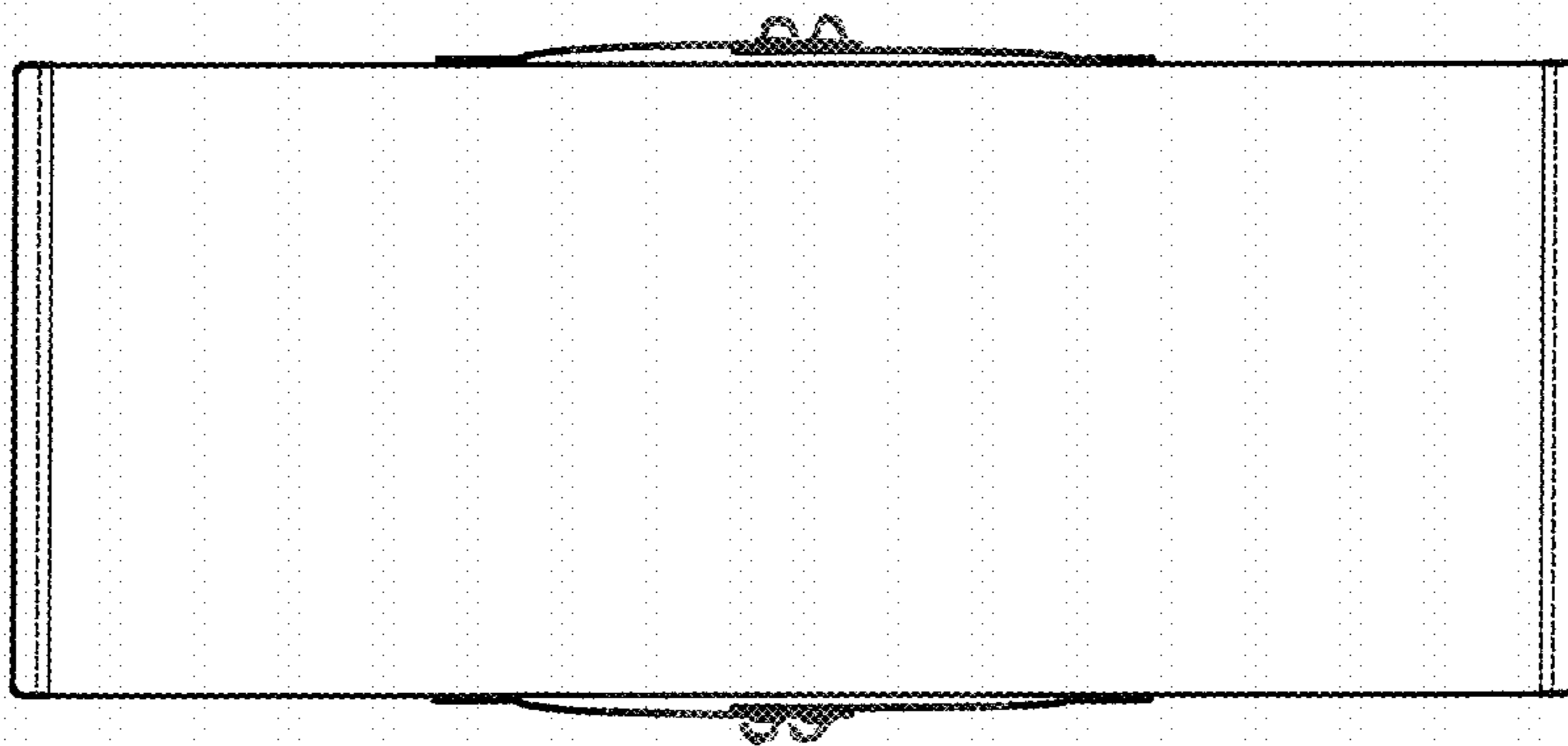


Fig. 5

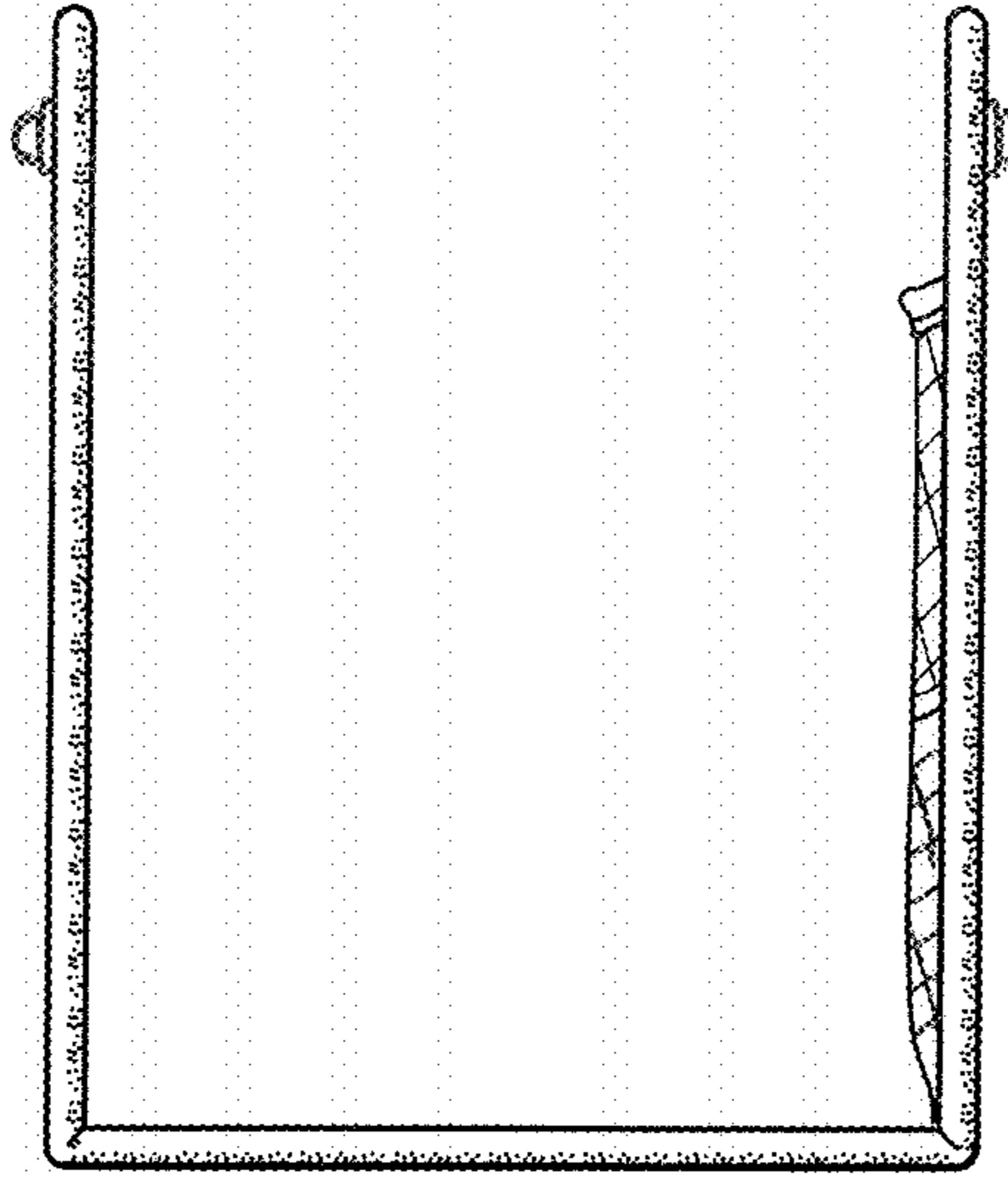


Fig. 6

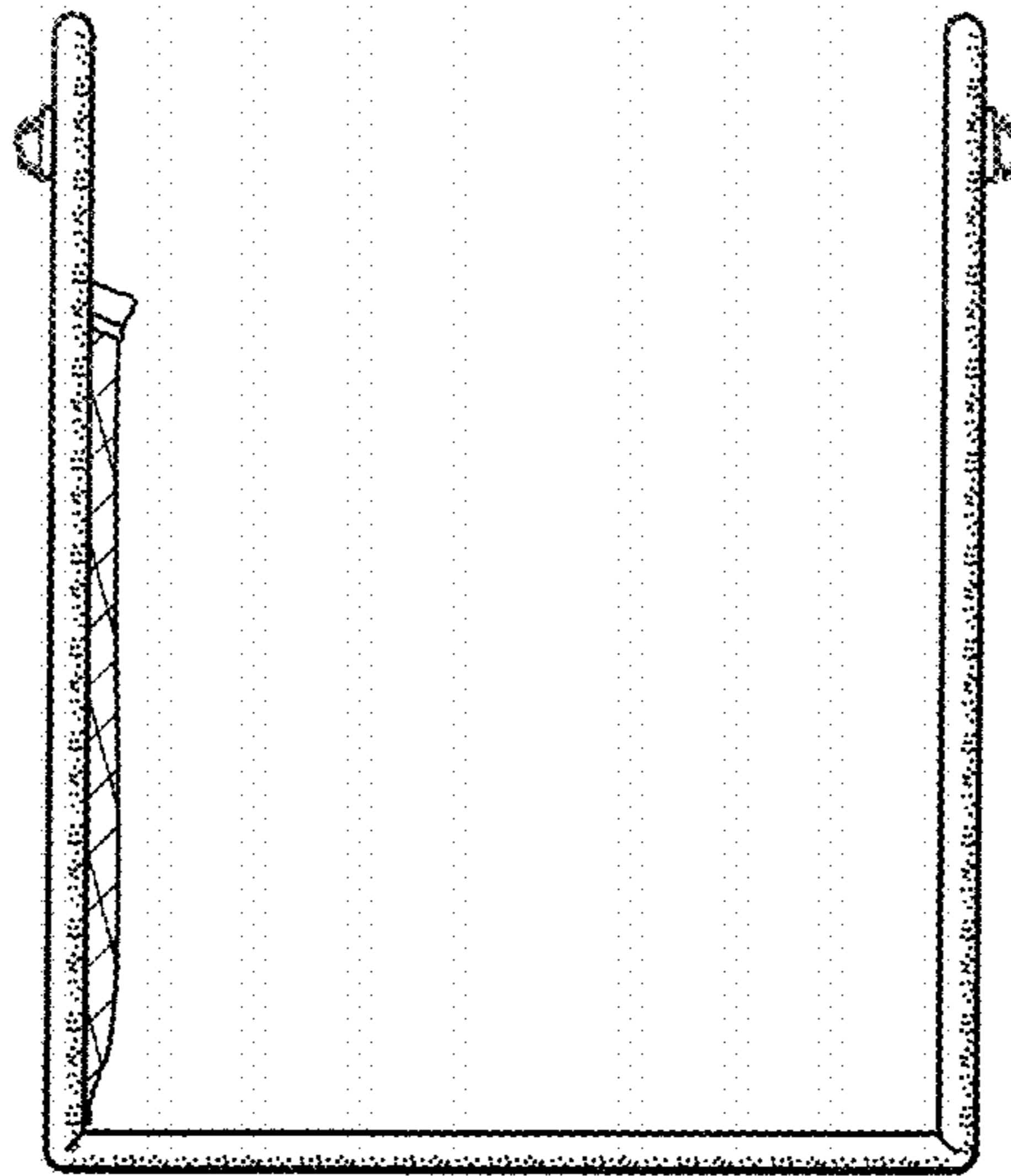


Fig. 7

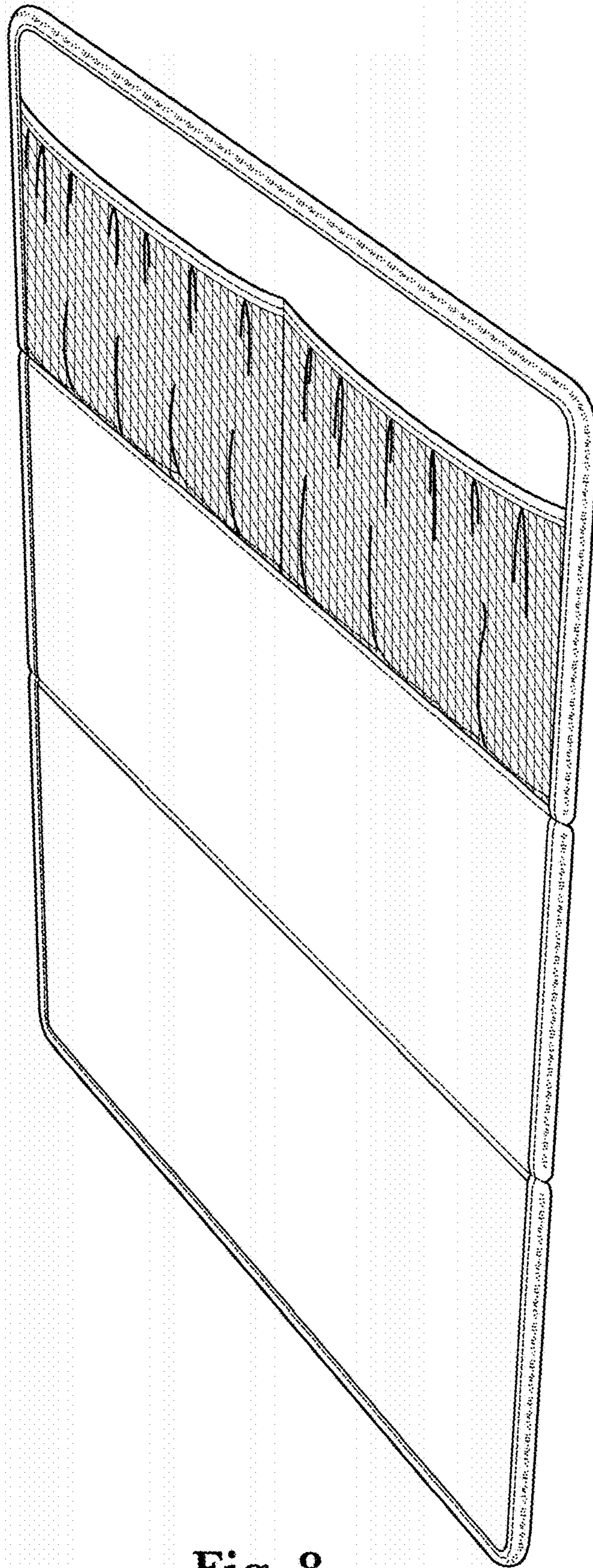


Fig. 8

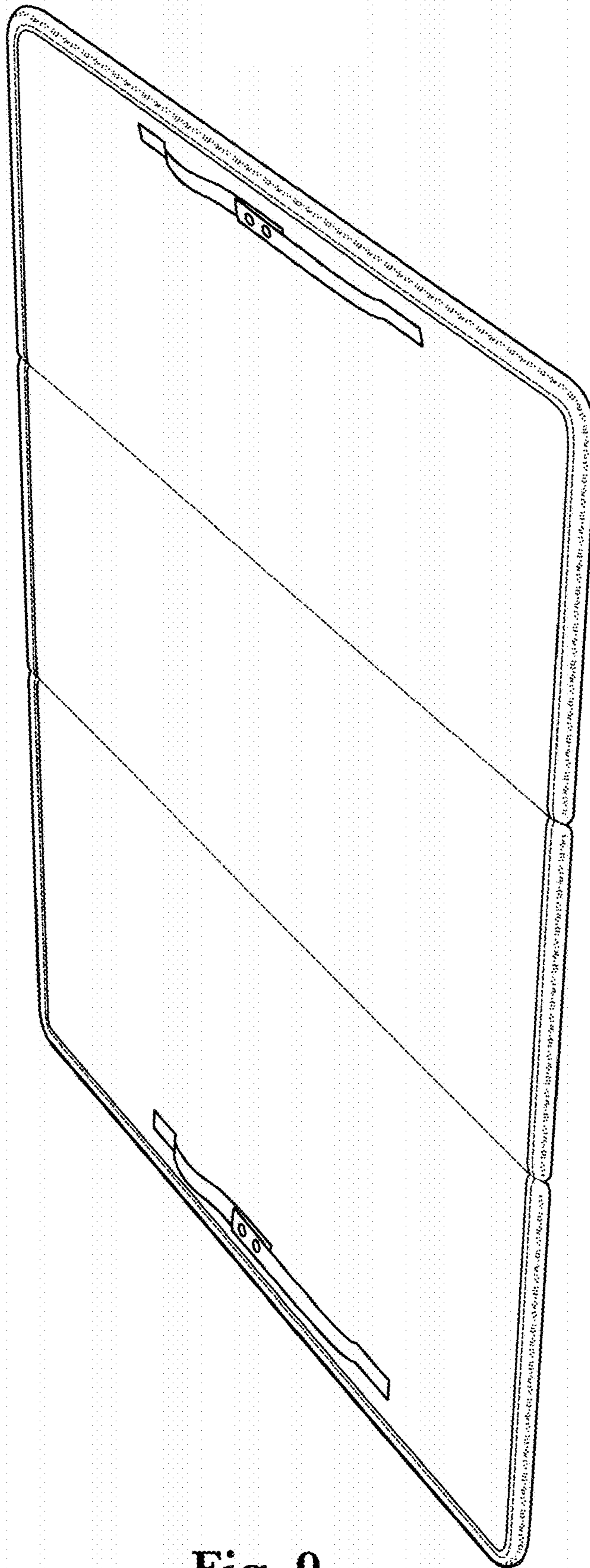


Fig. 9

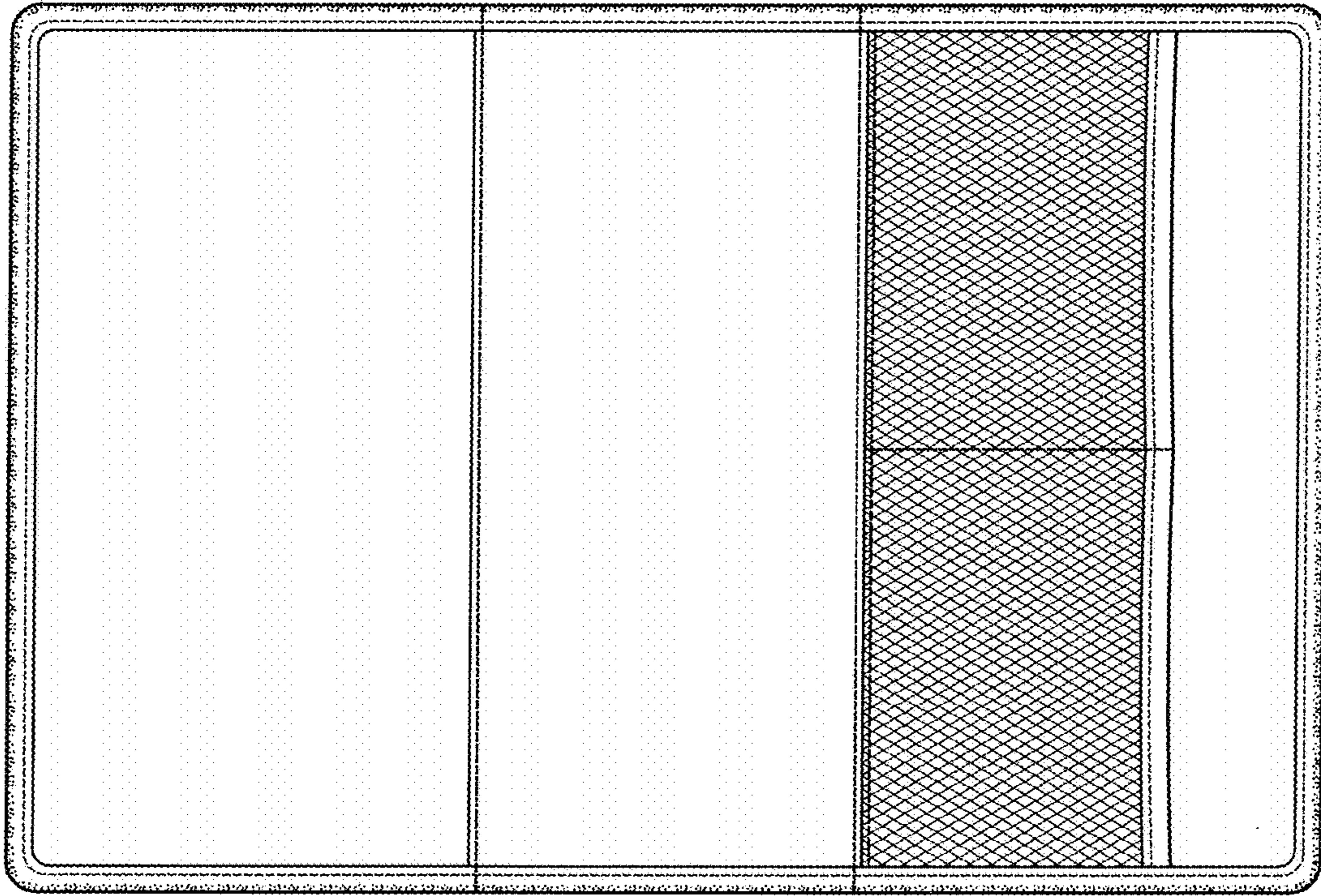


Fig. 10

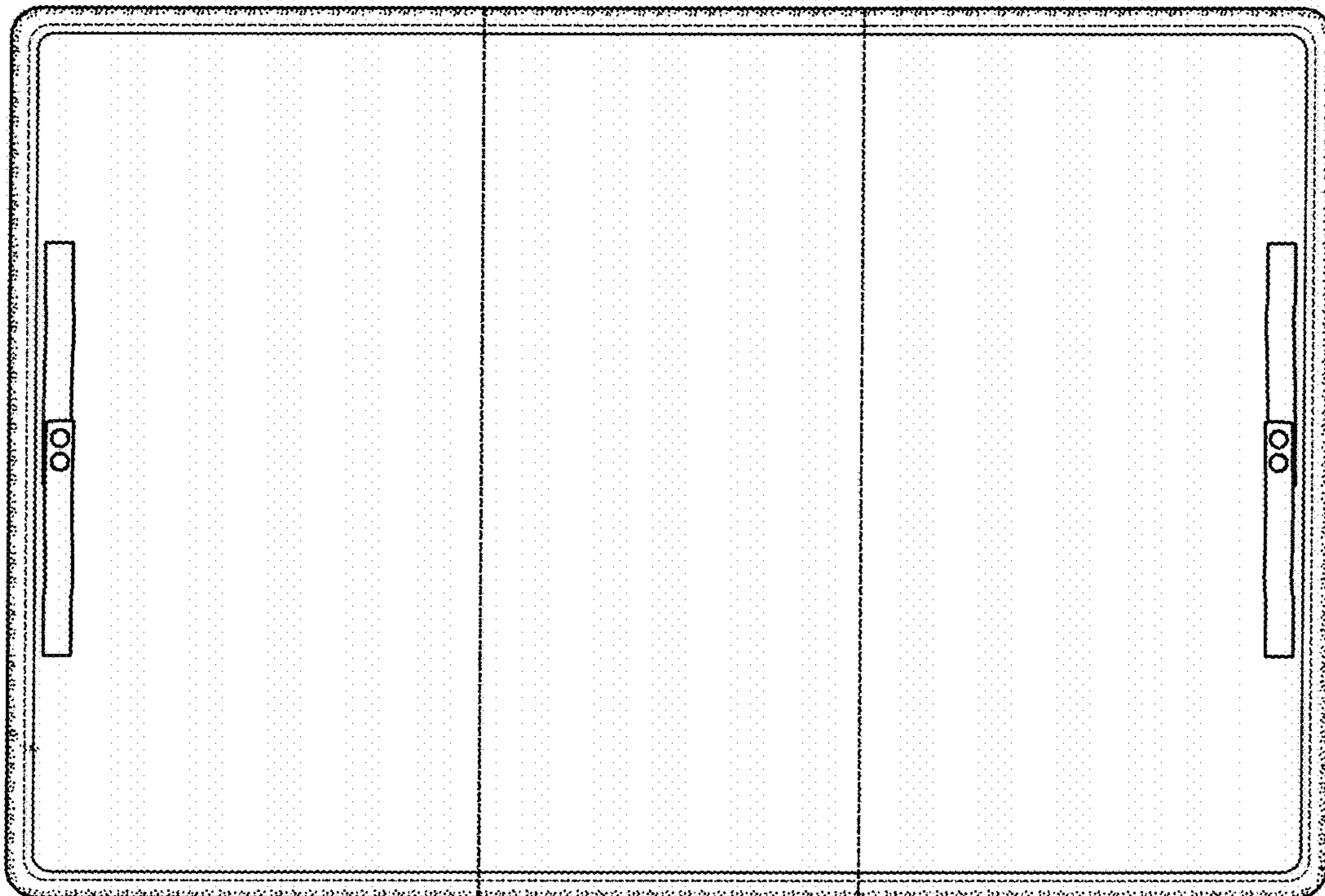


Fig. 11



Fig. 12



Fig. 13

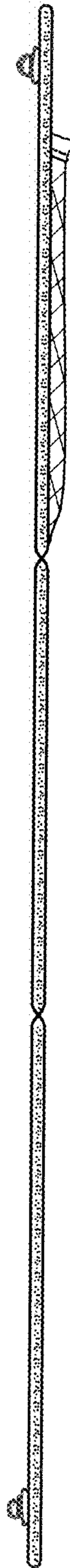


Fig. 14