



US00D856663S

(12) **United States Design Patent**
Ackerman

(10) **Patent No.:** **US D856,663 S**

(45) **Date of Patent:** **** Aug. 20, 2019**

(54) **FLEX ARM BAND**

(71) Applicant: **LIFEWORKS TECHNOLOGY GROUP, LLC**, New York, NY (US)

(72) Inventor: **Omer Ackerman**, New York, NY (US)

(**) Term: **15 Years**

(21) Appl. No.: **29/610,561**

(22) Filed: **Jul. 13, 2017**

(51) **LOC (12) Cl.** **03-01**

(52) **U.S. Cl.**
USPC **D3/218**

(58) **Field of Classification Search**
USPC D3/218, 215, 224, 226; 224/219, 222, 224/267, 269, 240-241, 268, 587, 224/666-667, 651, 673, 218, 637, 648, 224/652, 658, 662, 684
CPC A45F 5/00; A45F 5/02; A45F 5/021; A45F 2005/008; A45C 11/00; A45C 13/002; A45C 13/10; A45C 2011/003; A45C 2013/1015; F21V 33/2004
See application file for complete search history.

(56) **References Cited**

U.S. PATENT DOCUMENTS

4,135,653 A * 1/1979 Sieloff A45F 5/00
224/222
D716,040 S * 10/2014 Soriano D3/218
D762,971 S * 8/2016 Gronewoller D3/218
9,615,650 B2 * 4/2017 Soriano A45F 5/00

D821,743 S * 7/2018 Cao D3/218

* cited by examiner

Primary Examiner — Catherine R Oliver-Garcia

(74) *Attorney, Agent, or Firm* — Ezra Sutton

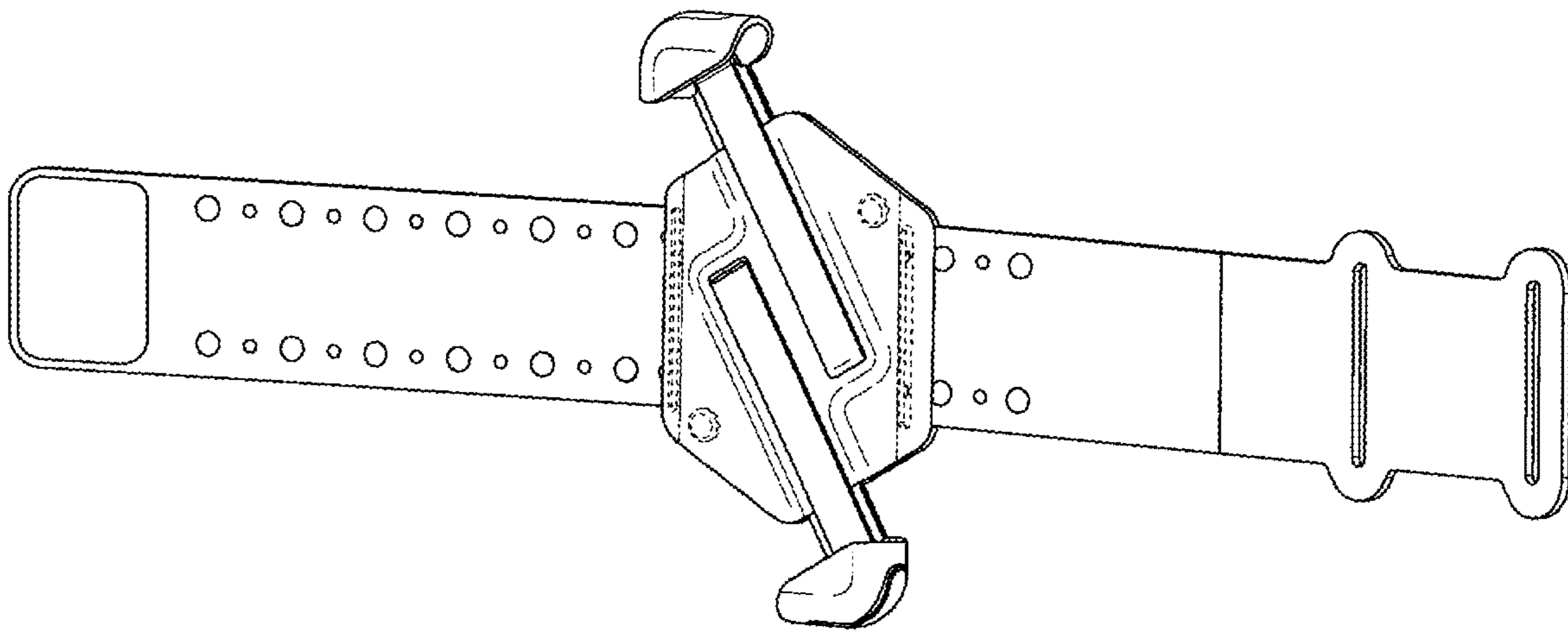
(57) **CLAIM**

The ornamental design for a flex arm band, as shown and described.

DESCRIPTION

FIG. 1 is a front perspective view of the flex arm band embodying my new design;
FIG. 2 is a rear perspective view thereof;
FIG. 3 is a top perspective view thereof;
FIG. 4 is a bottom perspective view thereof;
FIG. 5 is a left side view thereof;
FIG. 6 is a right side view thereof;
FIG. 7 is a left end view thereof;
FIG. 8 is a right end view thereof;
FIG. 9 is a front perspective view of a second embodiment of the flex arm band embodying my new design;
FIG. 10 is a rear perspective view thereof;
FIG. 11 is a top view thereof;
FIG. 12 is a bottom view thereof;
FIG. 13 is a left side view, with the cellular device holder shown removed from the band; and
FIG. 14 is a right side view, with the cellular device holder shown removed from the band.
FIG. 15 is a top view thereof;
FIG. 16 is a bottom view thereof;
FIG. 17 is a top view thereof; and
FIG. 18 is a perspective view holding a case shown in dotted lines.

1 Claim, 9 Drawing Sheets



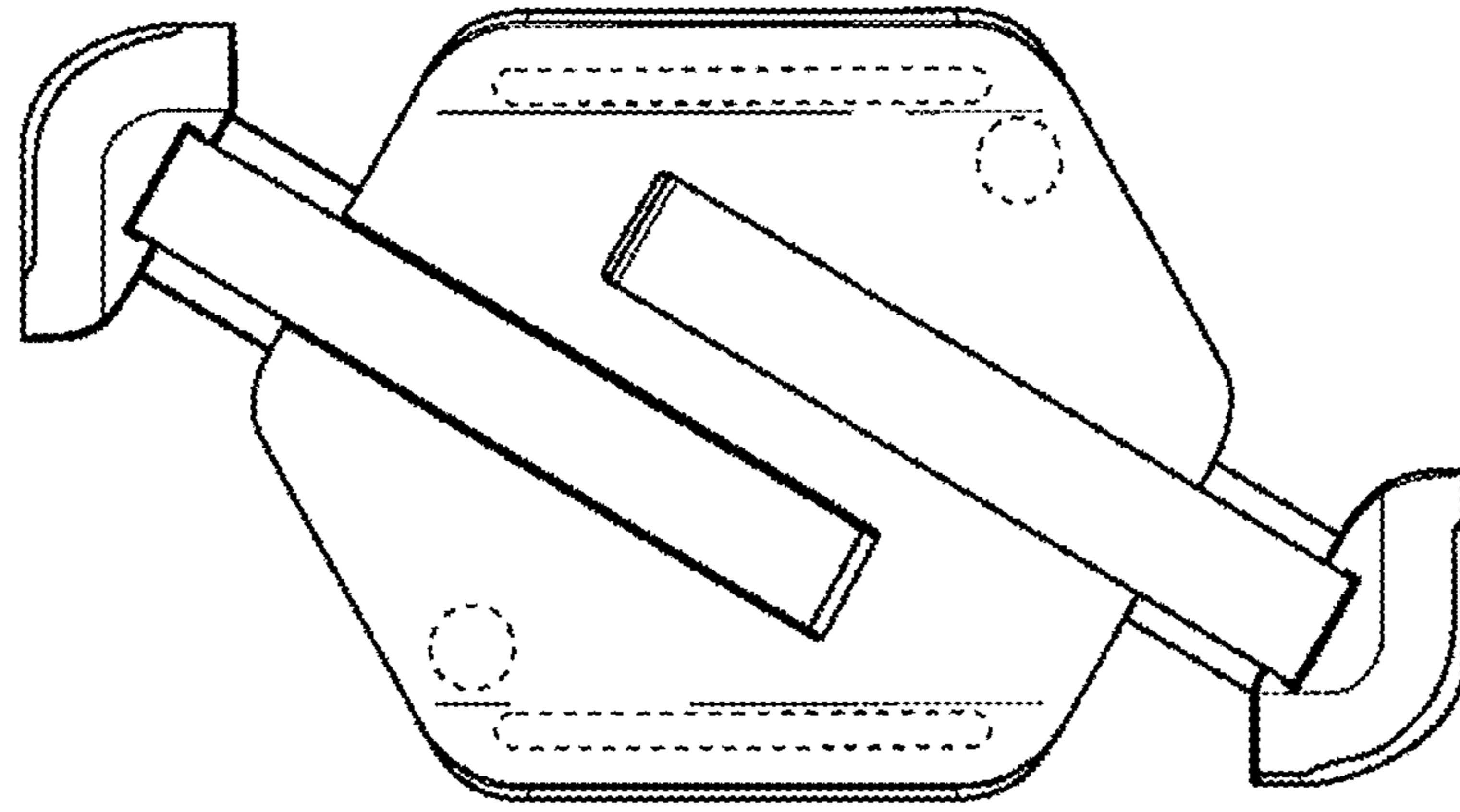


FIG. 2

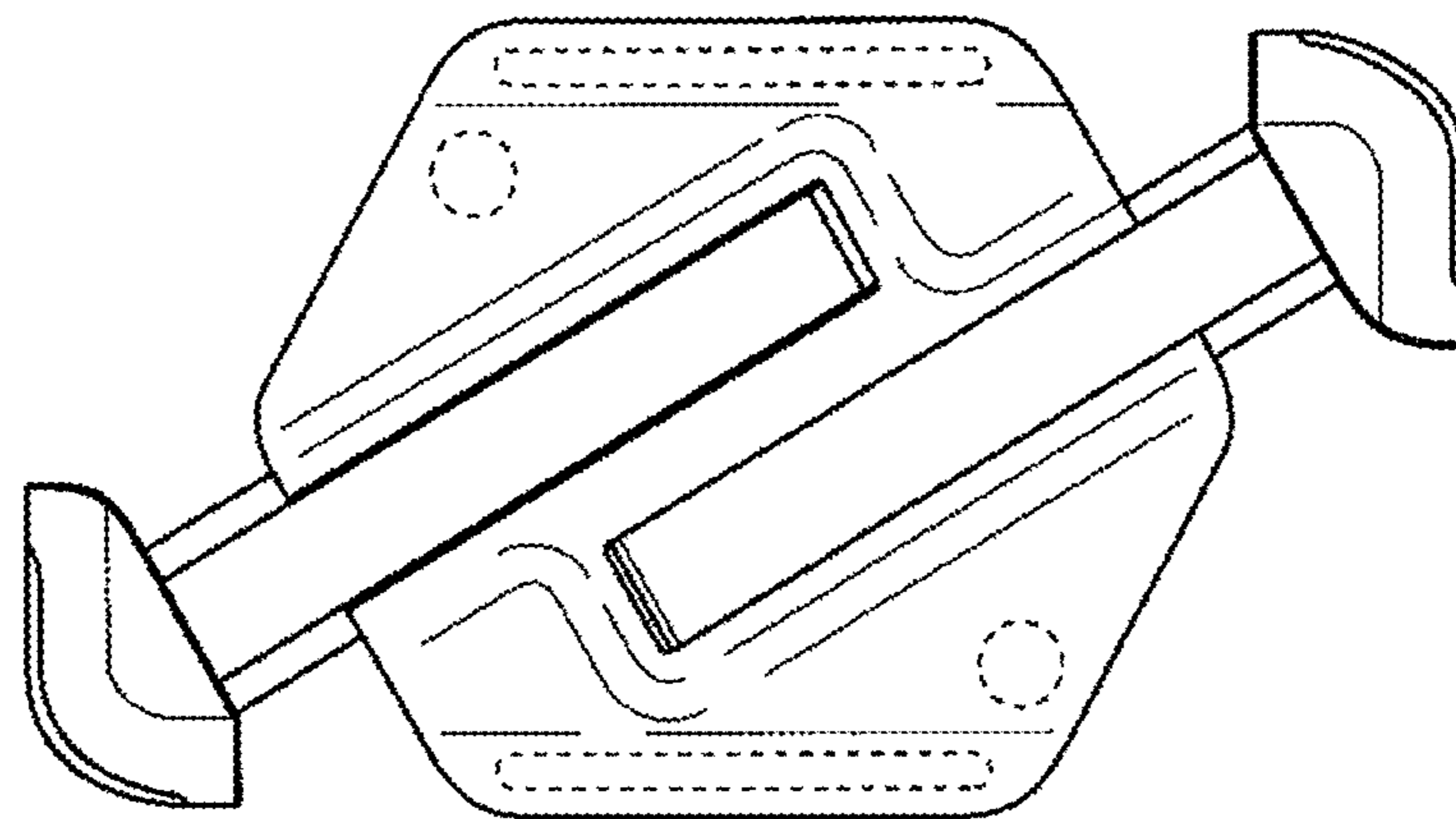


FIG. 1

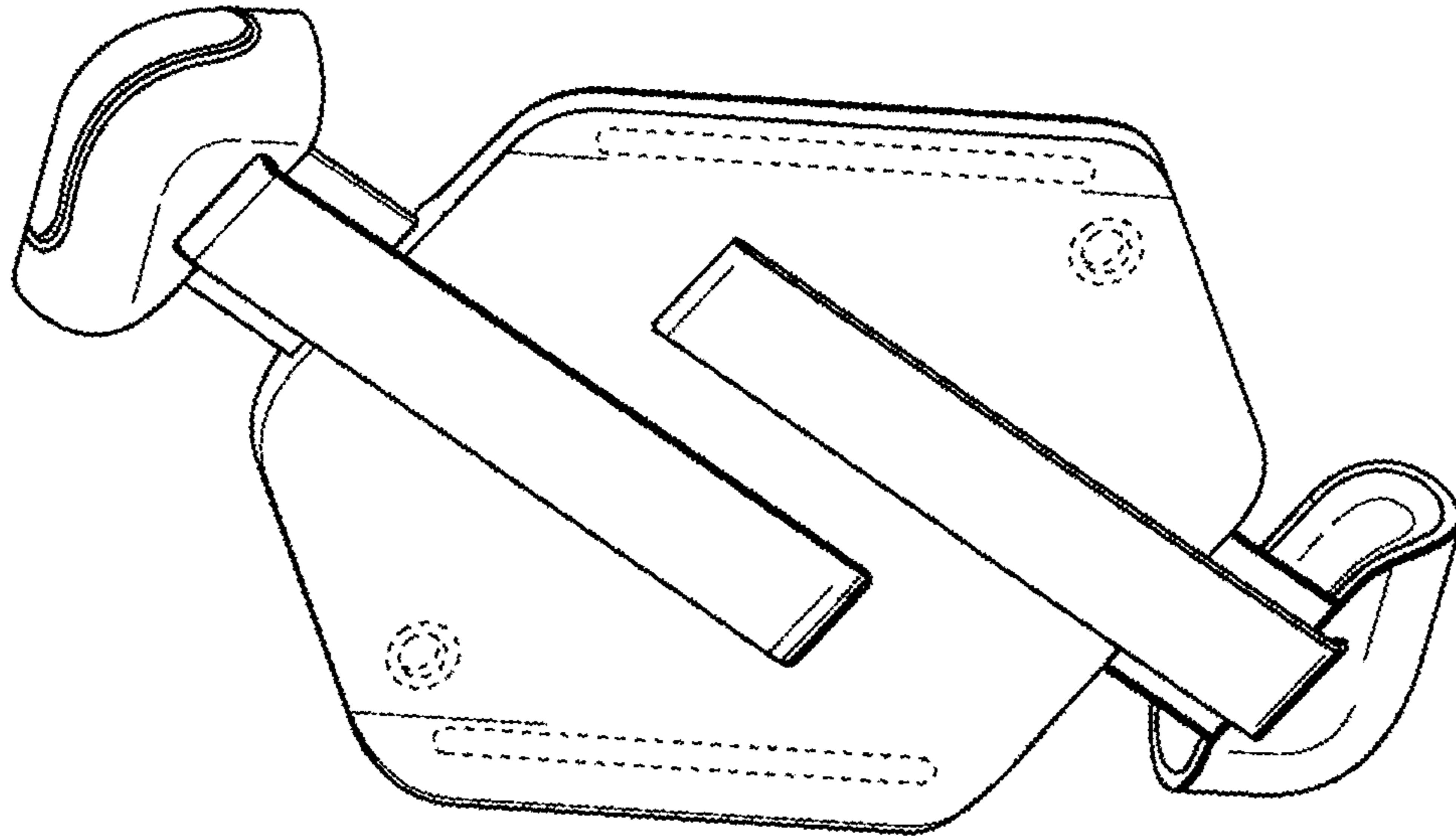


FIG. 4

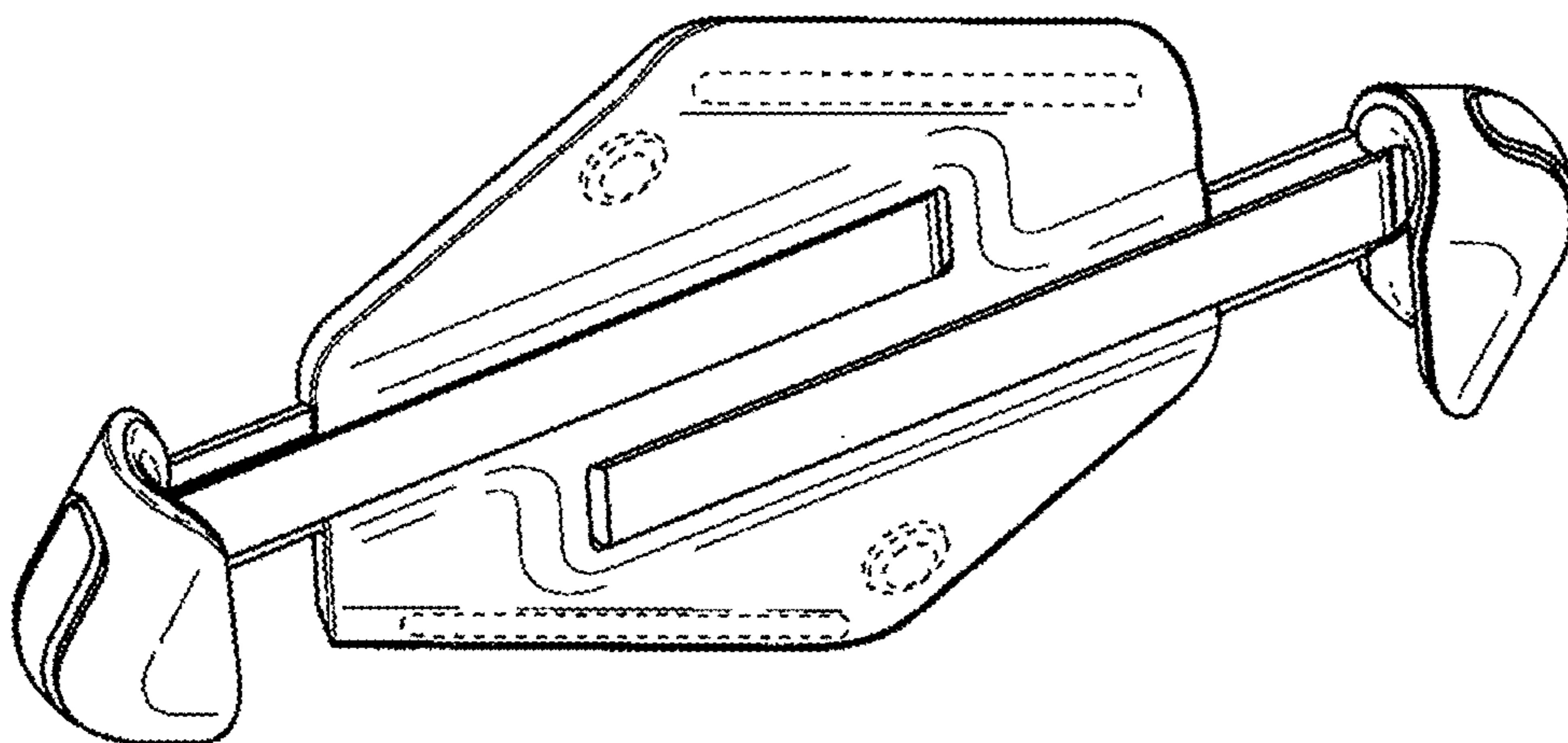


FIG. 3

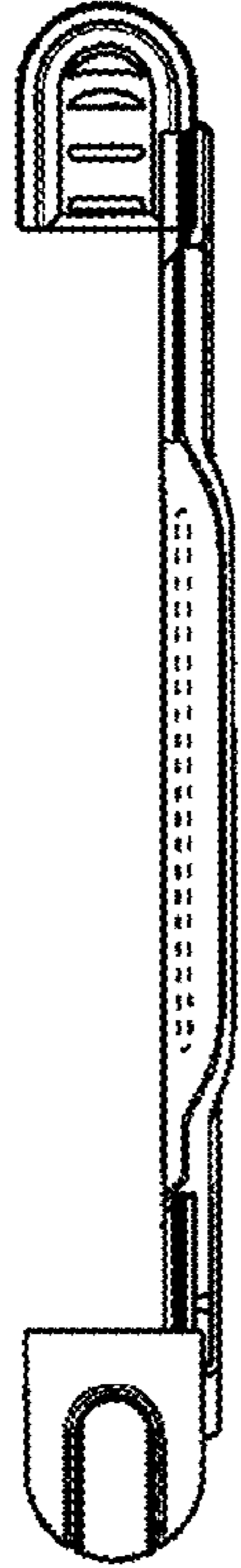


FIG. 5

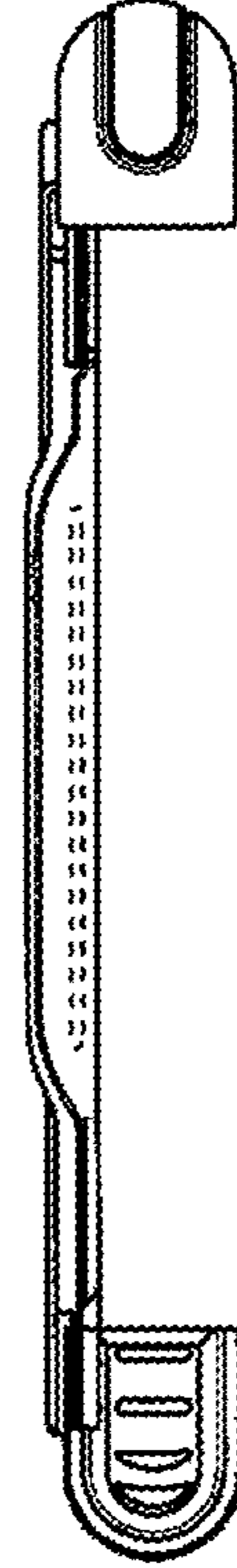


FIG. 6

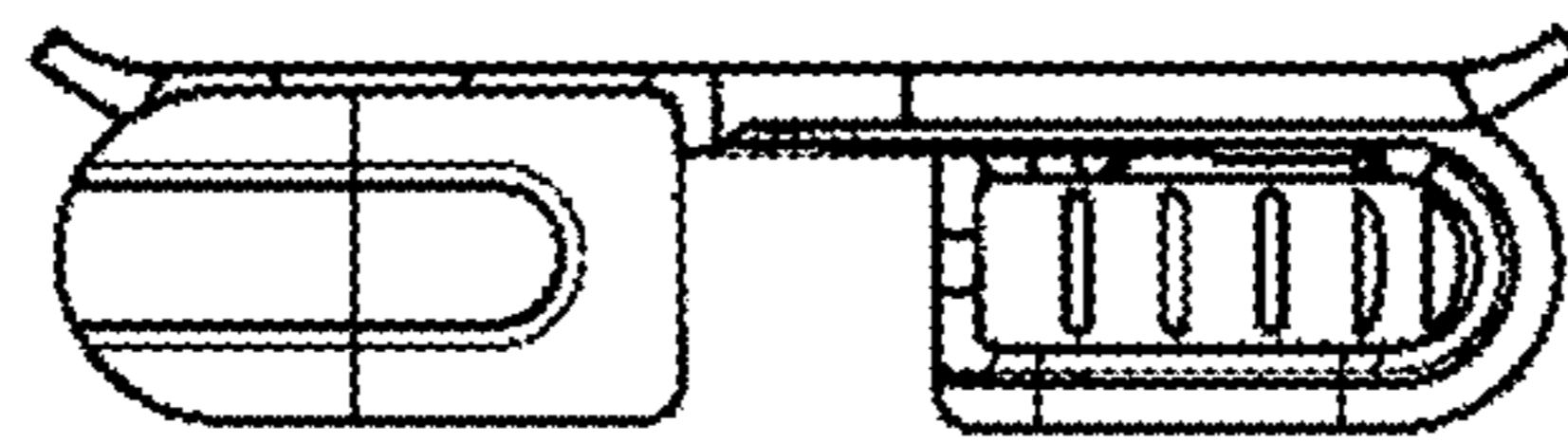


FIG. 7

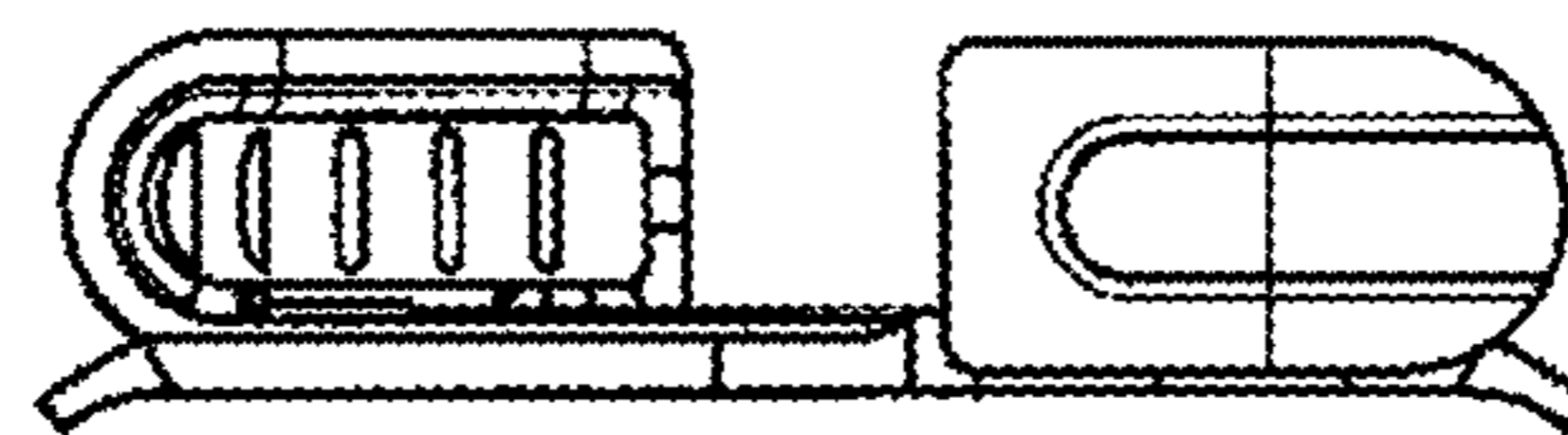


FIG. 8

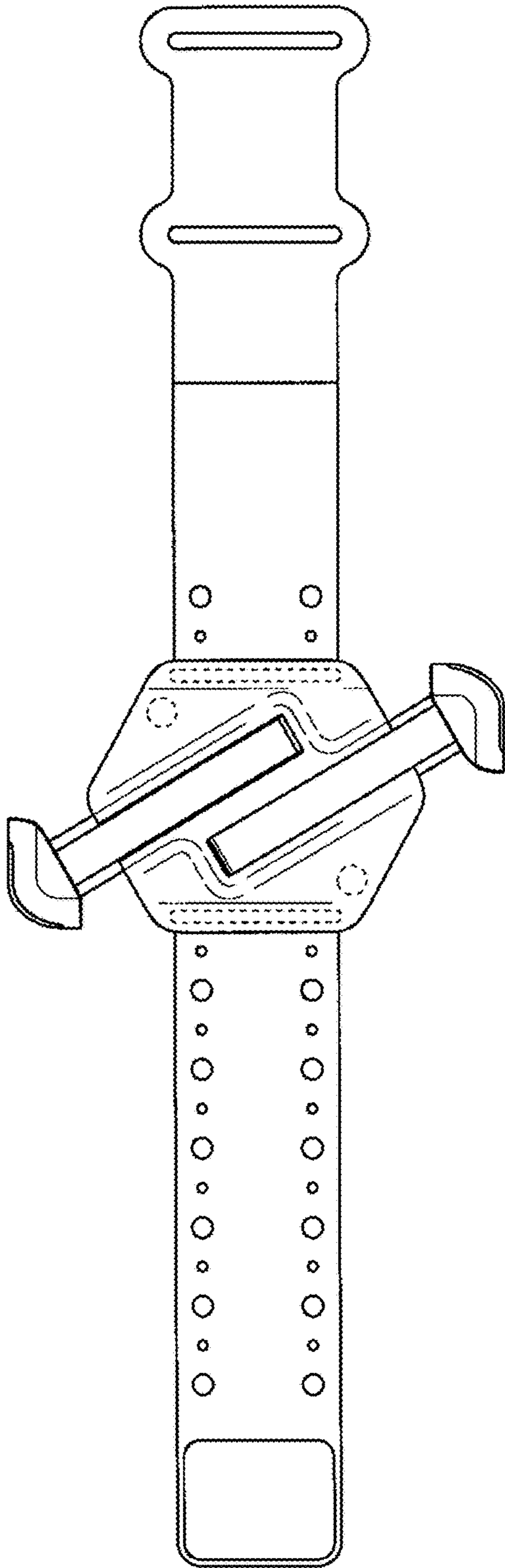


FIG. 9

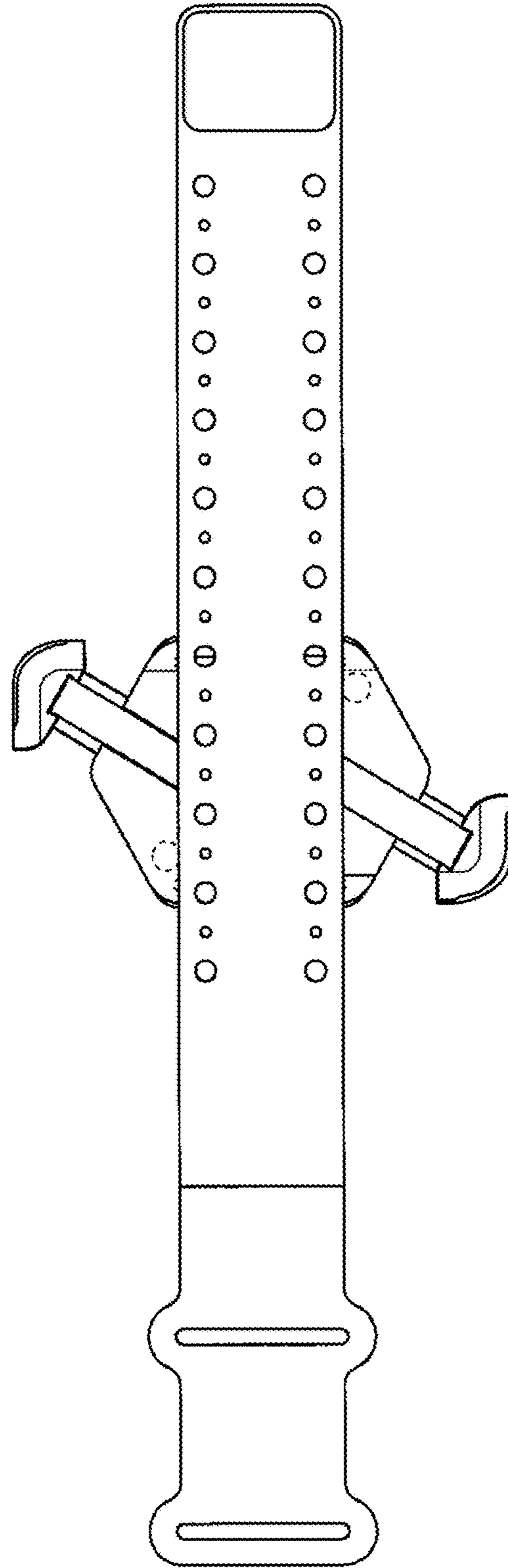


FIG. 10

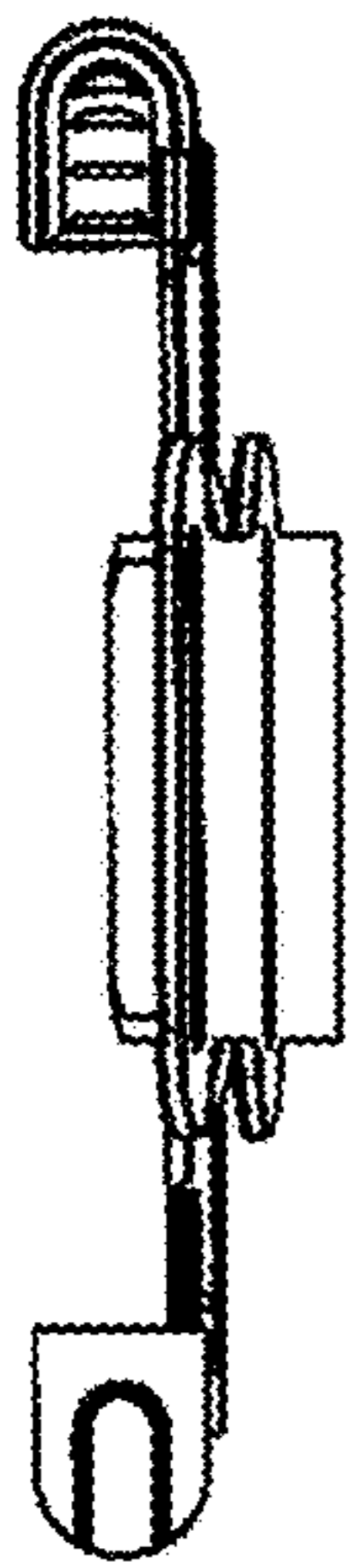


FIG. 11

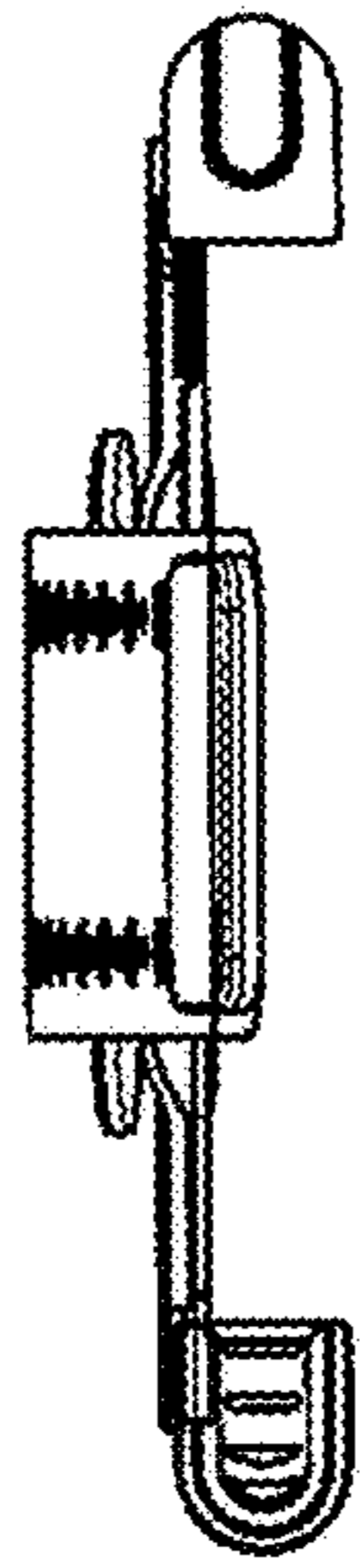


FIG. 12

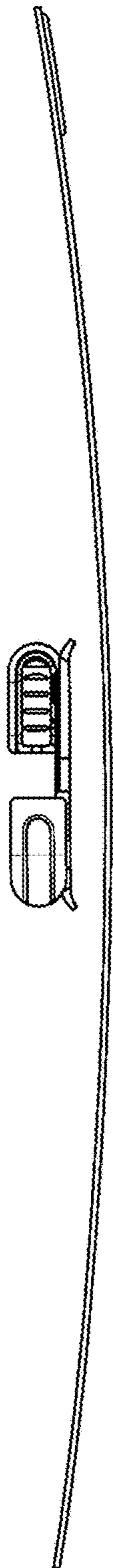


FIG. 13



FIG. 14

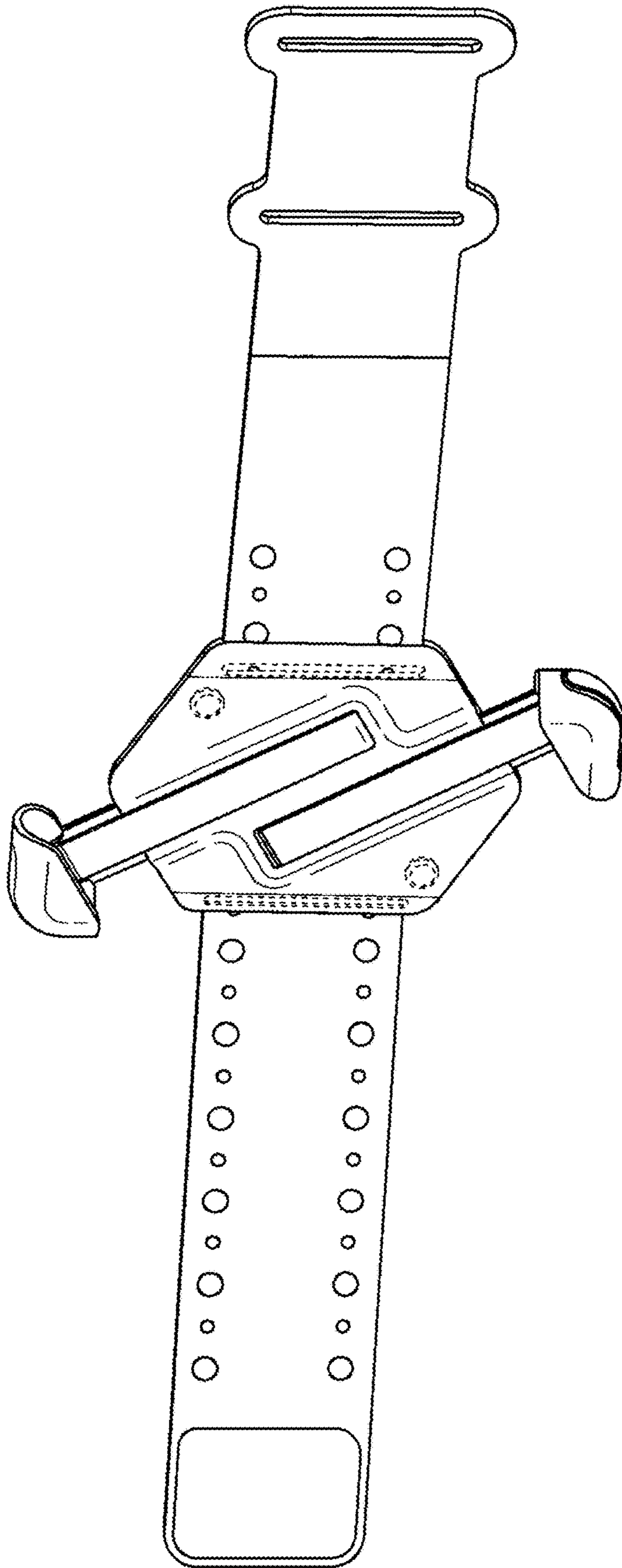


FIG. 15

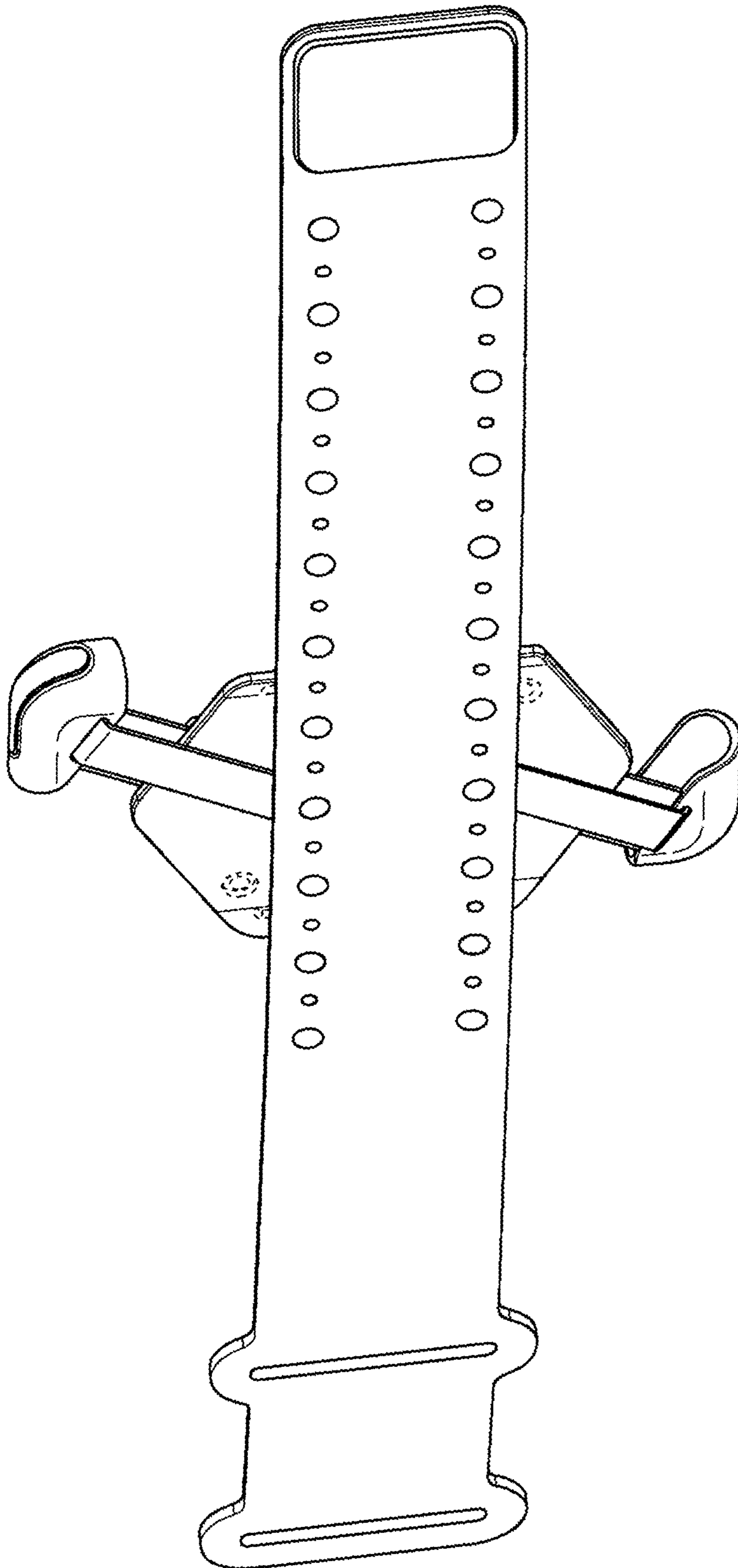


FIG. 16

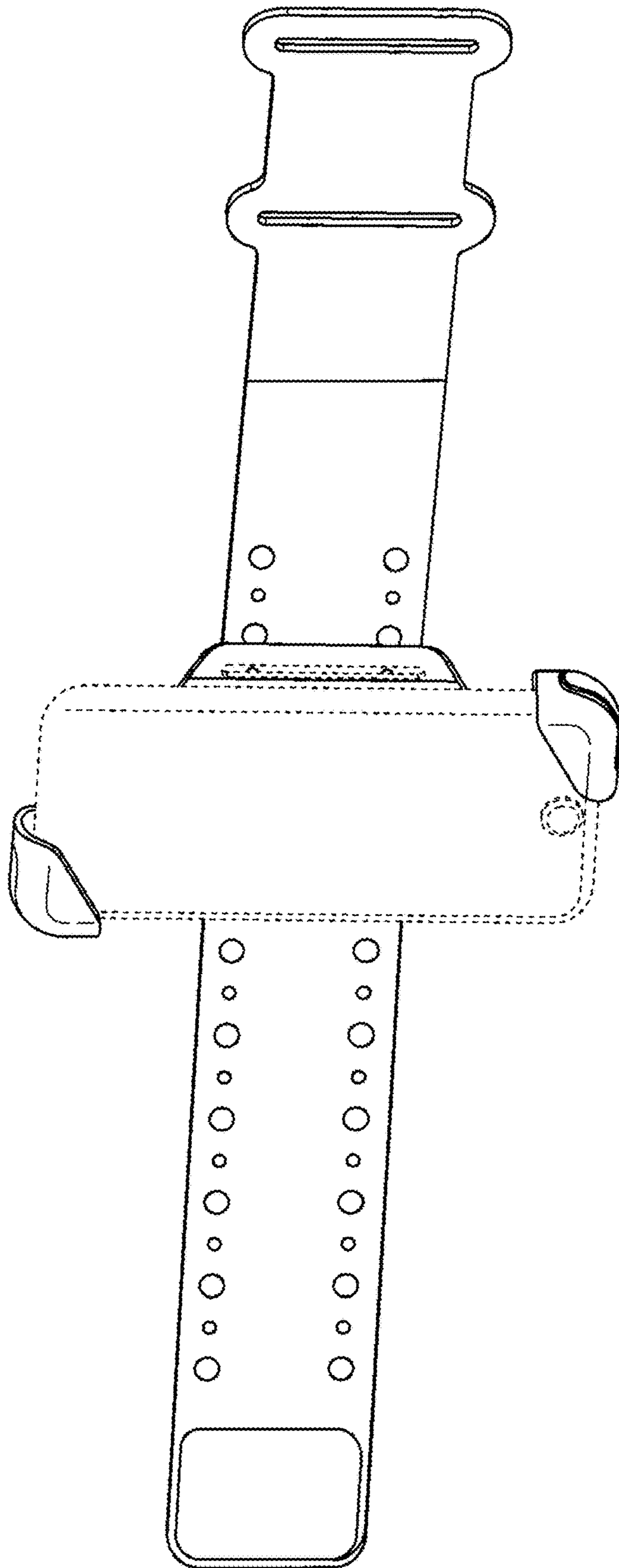


FIG. 17

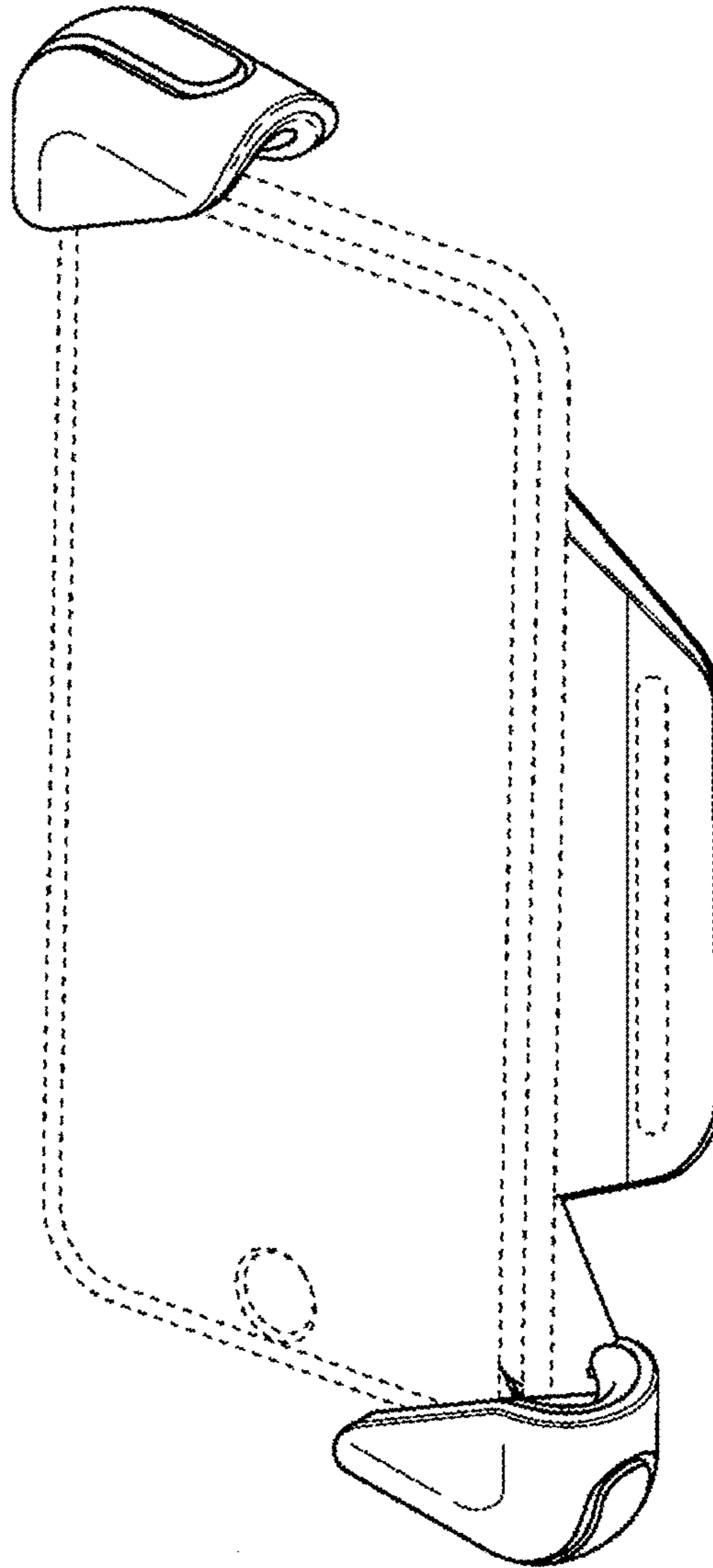


FIG. 18