



US00D856662S

(12) **United States Design Patent** (10) **Patent No.:** **US D856,662 S**
Breines (45) **Date of Patent:** **** Aug. 20, 2019**

(54) **BACKPACK**

(71) Applicant: **Robert Breines**, Westlake Village, CA (US)

(72) Inventor: **Robert Breines**, Westlake Village, CA (US)

(**) Term: **15 Years**

(21) Appl. No.: **29/626,511**

(22) Filed: **Nov. 17, 2017**

(51) **LOC (12) Cl.** **03-01**

(52) **U.S. Cl.**
USPC **D3/217**

(58) **Field of Classification Search**
USPC D3/215-217, 273, 289, 290, 318, 321,
D3/322, 323, 267, 268
CPC .. A45F 3/04; A45F 3/042; A45F 3/047; A45F
3/08; A45F 3/10; A45F 3/14; A45F 4/02;
A45F 4/08; A45F 2200/05; A45F
2200/0525; A45C 13/08; A45C 13/083
See application file for complete search history.

(56) **References Cited**

U.S. PATENT DOCUMENTS

D543,021 S * 5/2007 Lee D3/216
D596,398 S * 7/2009 Chu D3/283
D596,401 S * 7/2009 Chu D3/319
8,522,937 B2 * 9/2013 Saetia A45C 5/143
190/102
D691,793 S * 10/2013 Anigwe D3/217
D692,654 S * 11/2013 Irwin A47L 13/22
D3/217
D694,002 S * 11/2013 Bland D29/101.3
D746,049 S * 12/2015 Zwetzig D3/217

D787,816 S * 5/2017 Slimane D3/217
D819,327 S * 6/2018 Jusic D3/217
2004/0094583 A1 * 5/2004 Bernbaum A45C 9/00
224/153

OTHER PUBLICATIONS

GOgroove DSLR Camera Backpack (Gray), posted at bhphotovideo.com, no posting date available, online, URL: https://www.bhphotovideo.com/c/product/1345513-REG/gogroove_ggbcbk100grew_camera_backpack_with_waterproof.html (Year: 2018).*
GOgroove Full-size Green Digital SLR Camera Backpack, posted at amazon.com, available Sep. 5, 2017, online, URL: https://www.amazon.com/GOgroove-Full-size-Digital-Camera-Backpack/dp/B075F3T2LB/ref=sr_1_2?ie=UTF8&qid=1532710610&sr=8-2&keywords=gogroove+full+size (Year: 2017).*

* cited by examiner

Primary Examiner — Anhdao Doan
Assistant Examiner — Mary Shannon Malley

(57) **CLAIM**

I claim the ornamental design for a backpack, as shown and described.

DESCRIPTION

FIG. 1 is a front left perspective view of a backpack, showing the new design;
FIG. 2 is a front right perspective view thereof;
FIG. 3 is a front elevational view thereof;
FIG. 4 is a rear elevational view thereof;
FIG. 5 is a left-side elevational view thereof;
FIG. 6 is a right-side elevational view thereof;
FIG. 7 is a top plan view thereof; and,
FIG. 8 is a bottom plan view thereof.
The broken lines showing stitching form no part of the claimed design.

1 Claim, 8 Drawing Sheets

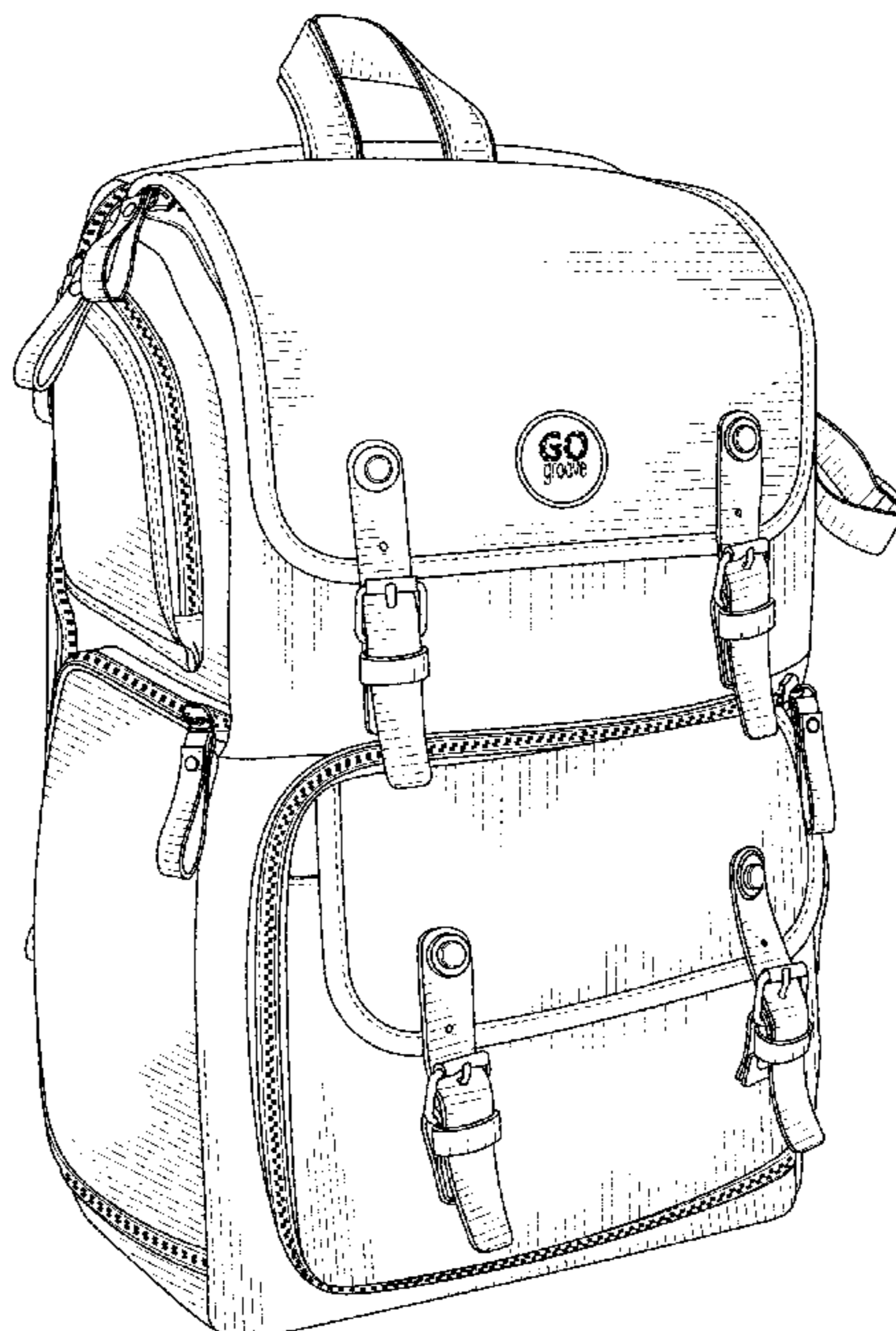




FIG. 1

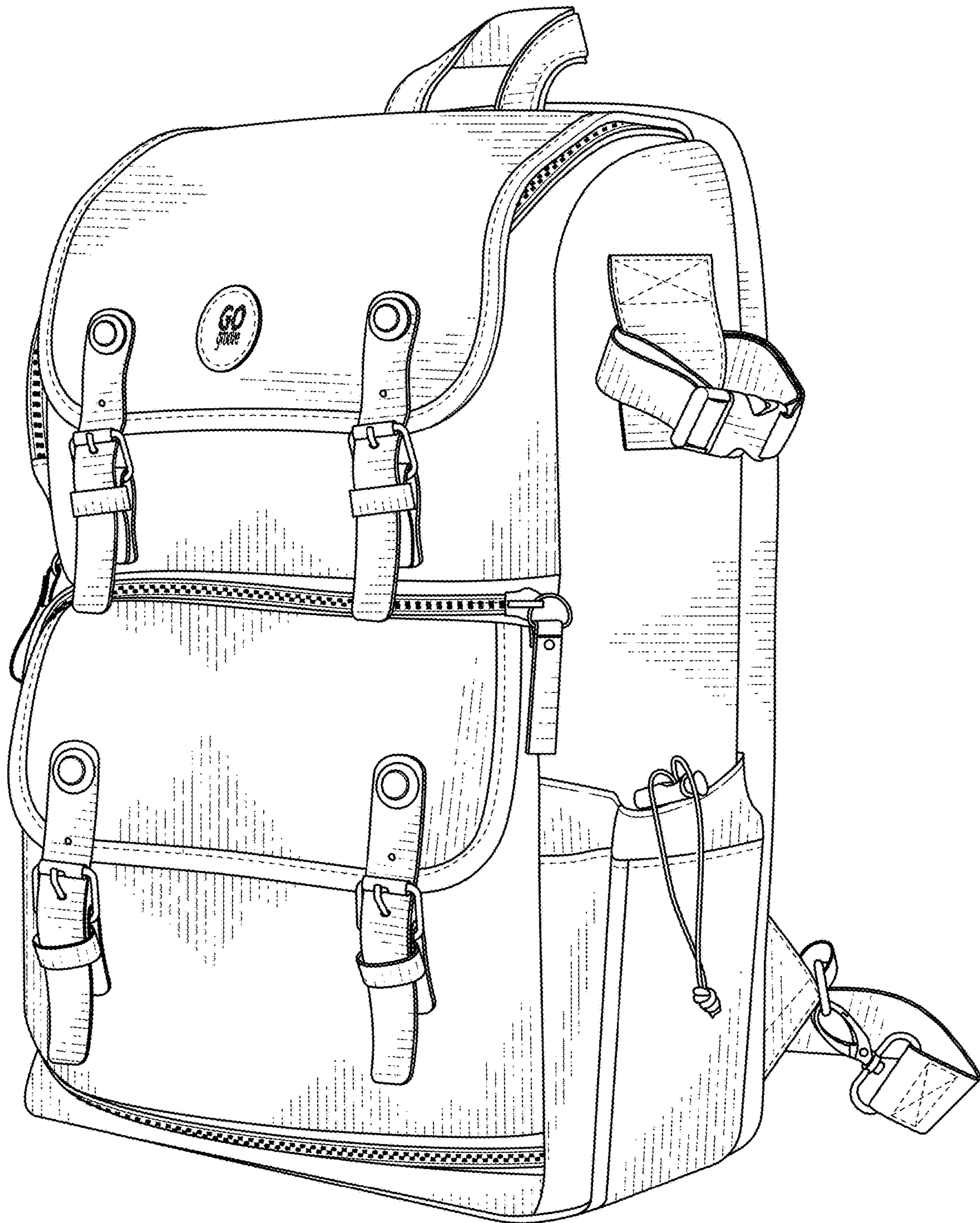


FIG. 2

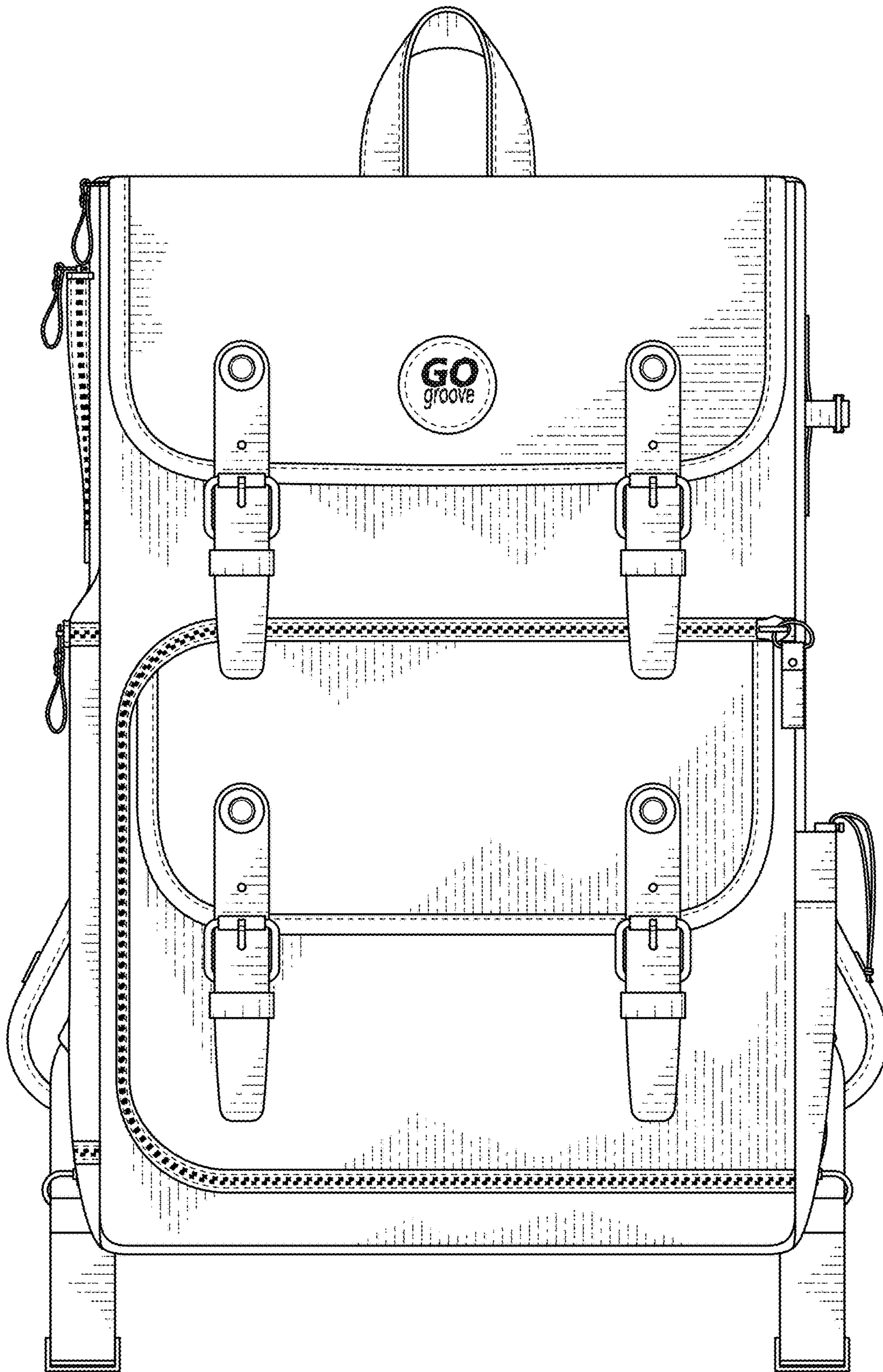


FIG. 3

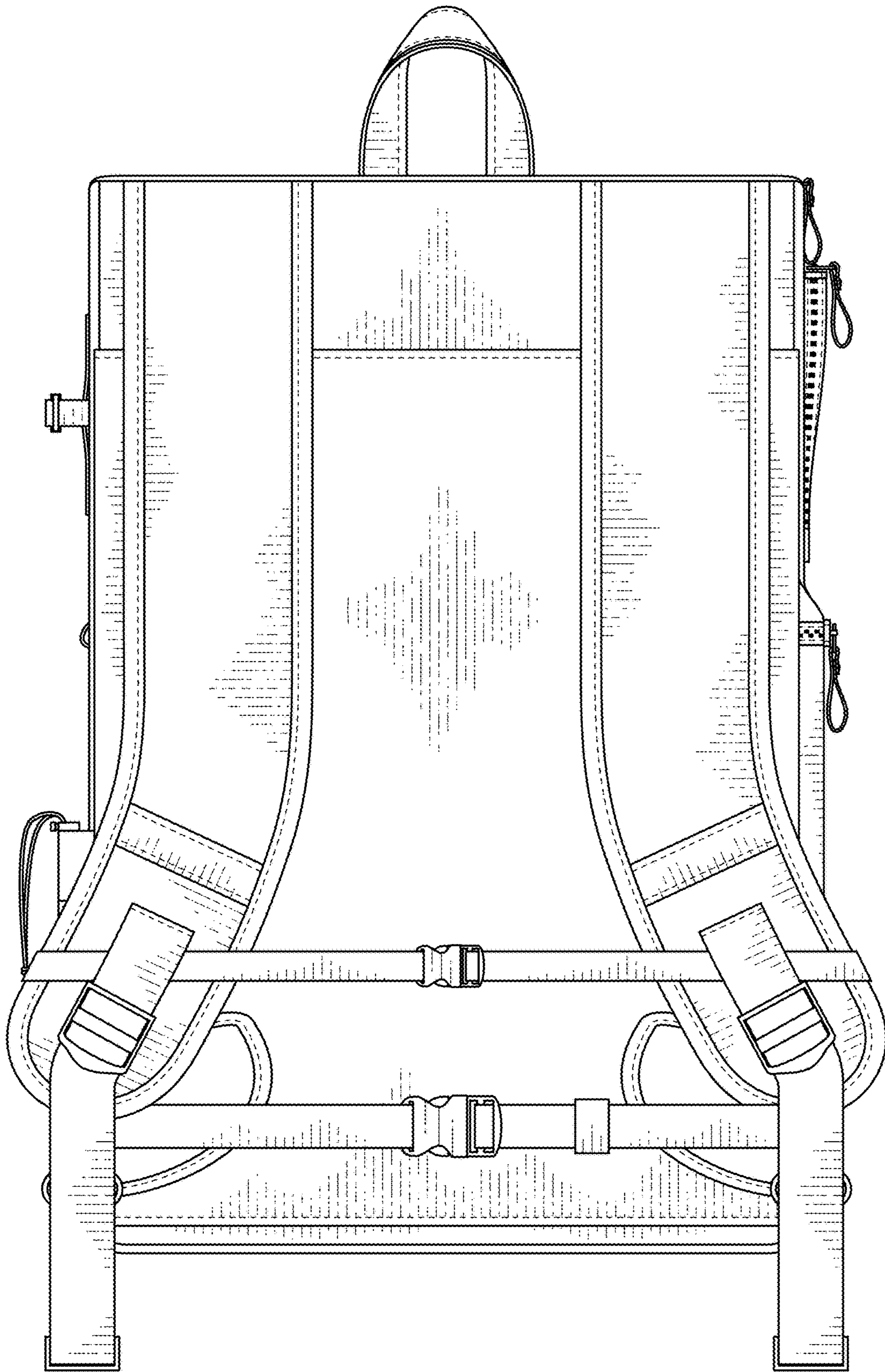


FIG. 4

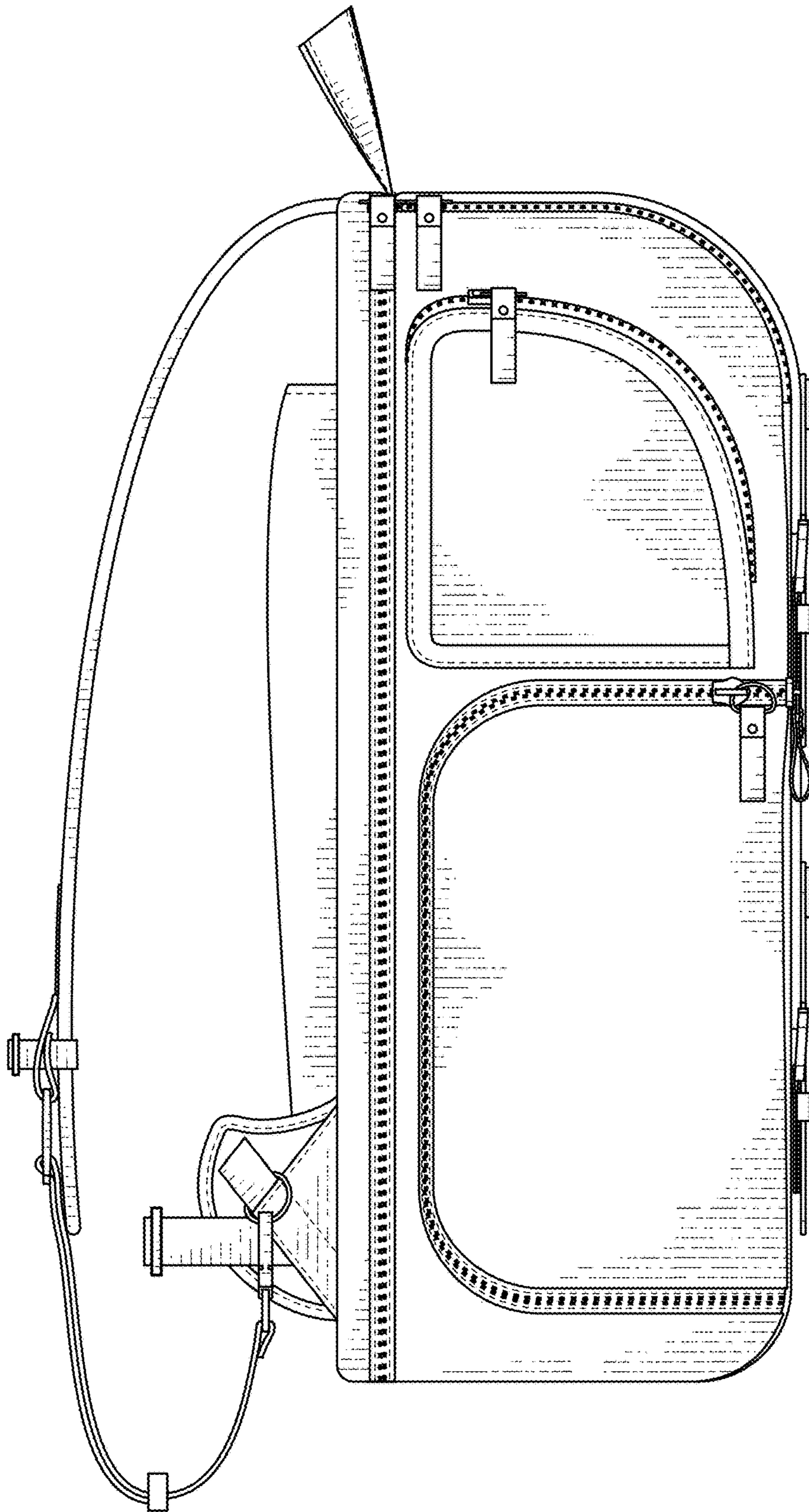


FIG. 5

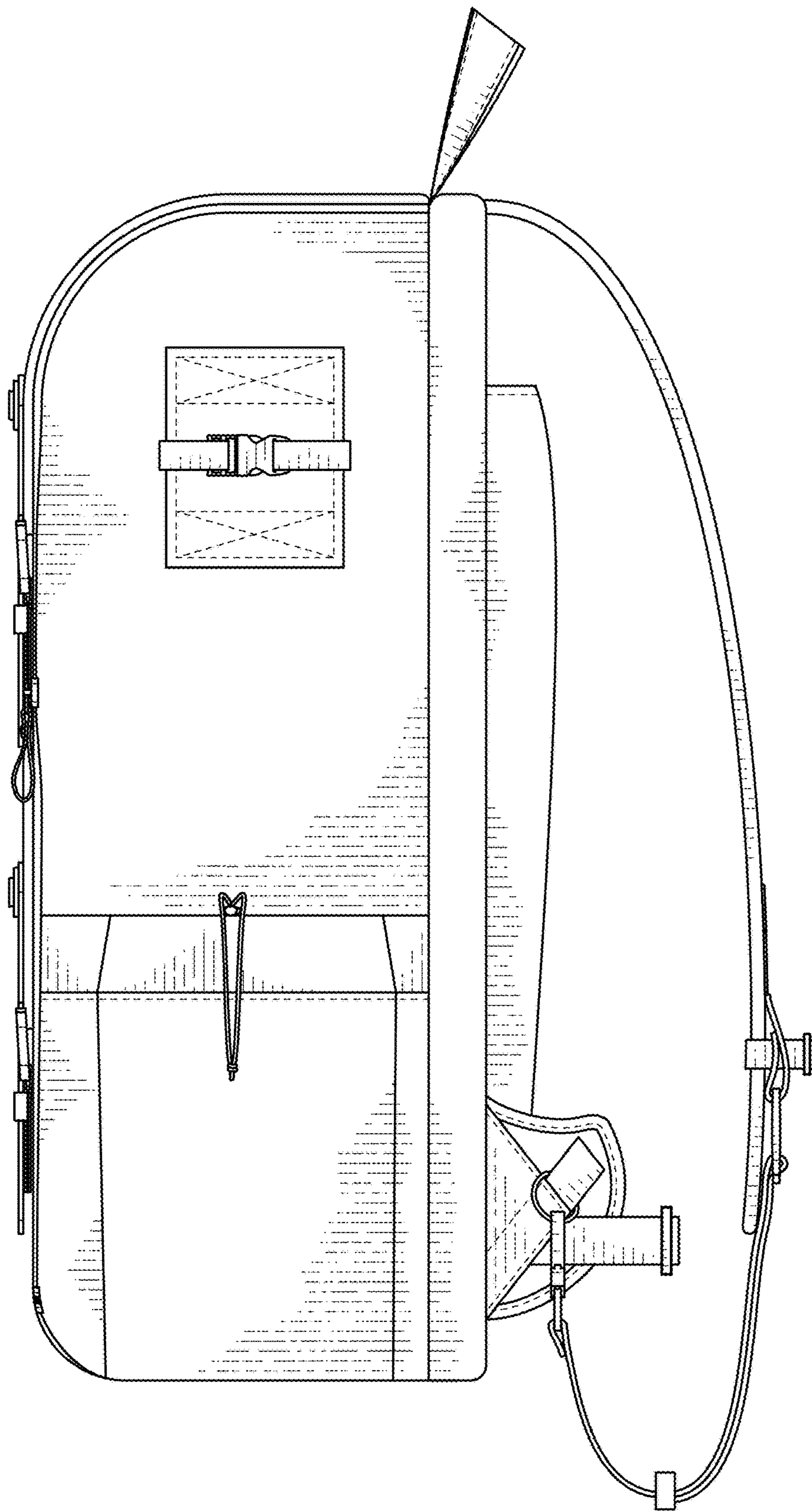


FIG. 6

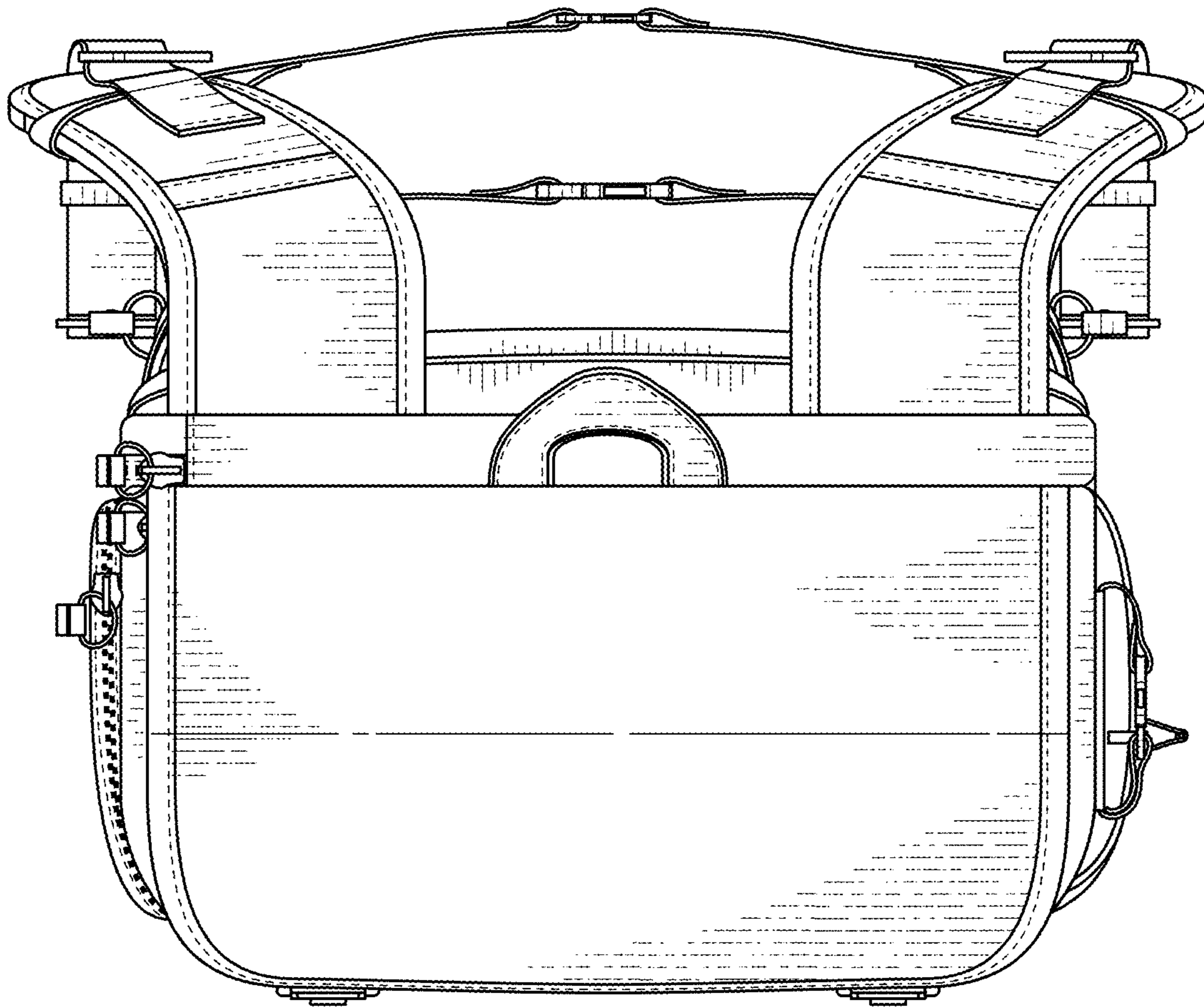


FIG. 7

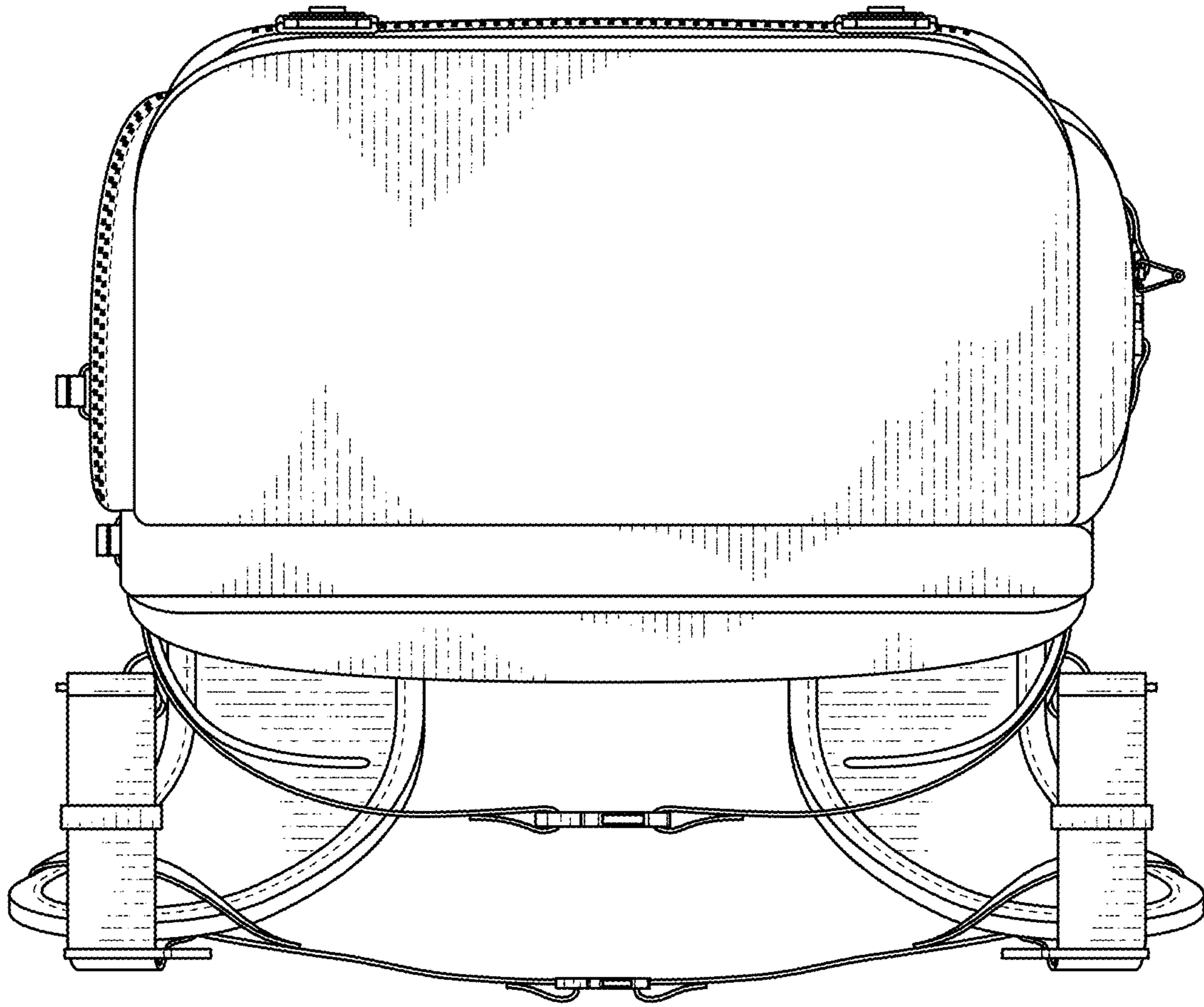


FIG. 8