



US00D856661S

(12) **United States Design Patent** (10) **Patent No.:** **US D856,661 S**
Lee (45) **Date of Patent:** **** Aug. 20, 2019**

(54) **BABY CARRIER**
(71) Applicant: **PETIT ELIN CO., LTD.**, Seoul (KR)
(72) Inventor: **Nam Jin Lee**, Seoul (KR)
(73) Assignee: **PETIT ELIN CO., LTD.**, Seoul (KR)
(**) Term: **15 Years**
(21) Appl. No.: **29/610,966**
(22) Filed: **Jul. 18, 2017**
(30) **Foreign Application Priority Data**

8,701,949 B1 * 4/2014 Lehan A45F 3/047
224/160
8,752,739 B2 * 6/2014 Bergkvist A47D 13/025
224/158
D714,045 S * 9/2014 Stave D3/213
8,973,794 B2 * 3/2015 Bergkvist A47D 13/025
224/159
D733,419 S * 7/2015 Wikner D3/214
9,185,993 B2 * 11/2015 Telford A47D 13/025
D748,907 S * 2/2016 Figler D3/213
D753,385 S * 4/2016 Stave D3/213
9,314,112 B2 * 4/2016 Chuah A47D 13/025
9,314,113 B1 * 4/2016 Lehan A47D 13/025
D755,508 S * 5/2016 Chuah D3/213
9,386,863 B1 * 7/2016 Antunovic A47D 13/025
D770,166 S * 11/2016 Figler D3/213
D783,269 S * 4/2017 Lucas D3/213

(Continued)

Apr. 26, 2017 (KR) 30-2017-0019585
(51) **LOC (12) Cl.** **03-01**
(52) **U.S. Cl.**
USPC **D3/214**
(58) **Field of Classification Search**
USPC D3/213, 214
CPC A45F 3/04; A47D 13/02; A47D 13/025
See application file for complete search history.

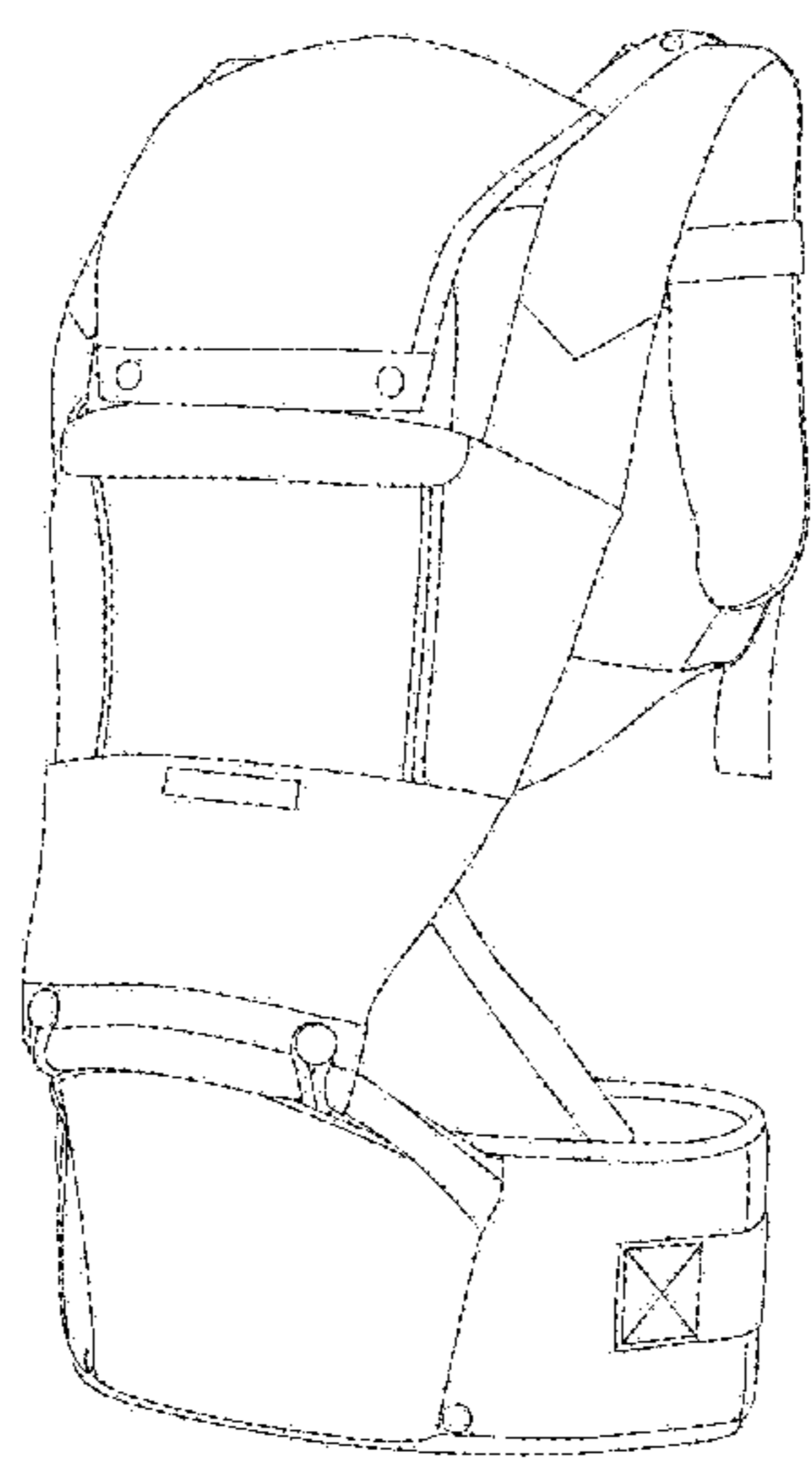
Primary Examiner — John Windmuller
Assistant Examiner — Steven J Czyz
(74) *Attorney, Agent, or Firm* — IPLA P.A.; James E. Bame

(57) **CLAIM**
The ornamental design for a baby carrier, as shown and described.

(56) **References Cited**
U.S. PATENT DOCUMENTS
7,484,645 B2 * 2/2009 Hoff A47D 13/025
224/159
7,766,199 B1 * 8/2010 Caperon A47D 13/025
224/160
8,028,871 B2 * 10/2011 Gray A47D 15/006
224/158
D649,345 S * 11/2011 Bergkvist D3/214
D655,495 S * 3/2012 Sauer D3/214
D657,132 S * 4/2012 Caperon D3/214
8,172,116 B1 * 5/2012 Lehan A45F 3/04
224/159
D664,351 S * 7/2012 Bergkvist D3/214
D692,227 S * 10/2013 Andren D3/213
D698,142 S * 1/2014 Cha D3/213

DESCRIPTION
FIG. 1 is a perspective view of a baby carrier according to my new design;
FIG. 2 is a front elevational view thereof;
FIG. 3 is a rear elevational view thereof;
FIG. 4 is a left side elevational view thereof;
FIG. 5 is a right side elevational view thereof;
FIG. 6 is a top plan view thereof;
FIG. 7 is a bottom plan view thereof;
FIG. 8 is a front elevation view of the baby carrier shown disassembled; and,
FIG. 9 is a rear elevation view of the baby carrier shown disassembled.

1 Claim, 9 Drawing Sheets



(56)

References Cited

U.S. PATENT DOCUMENTS

D796,834 S * 9/2017 Pos D3/213
D803,549 S * 11/2017 Warfaa D3/214
9,848,713 B2 * 12/2017 Rosen A47D 13/025
D807,025 S * 1/2018 Elmberg D3/214
9,949,575 B2 * 4/2018 Pond A47D 13/025
10,076,194 B2 * 9/2018 Wikner A47D 13/025

* cited by examiner

FIG. 1

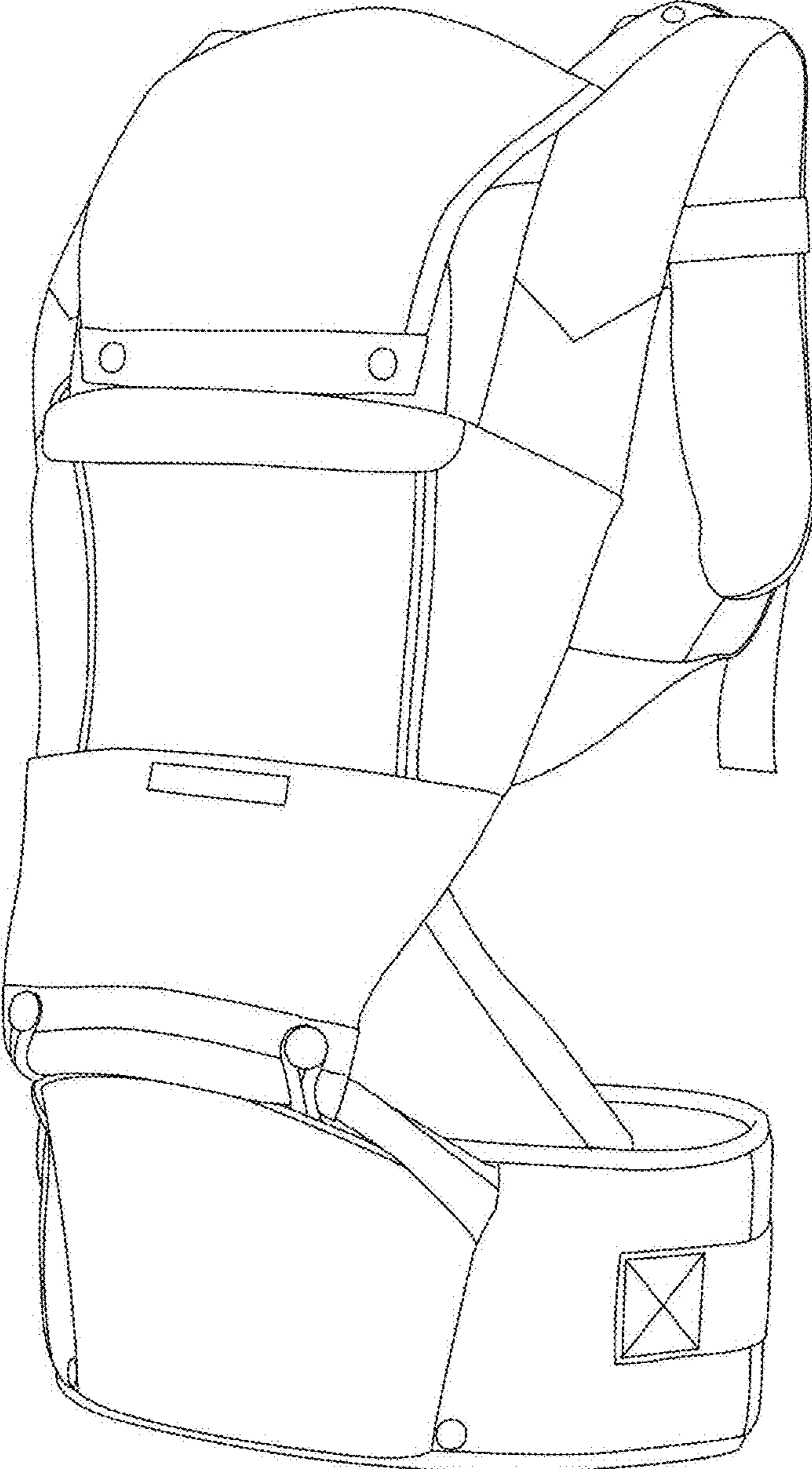


FIG. 2

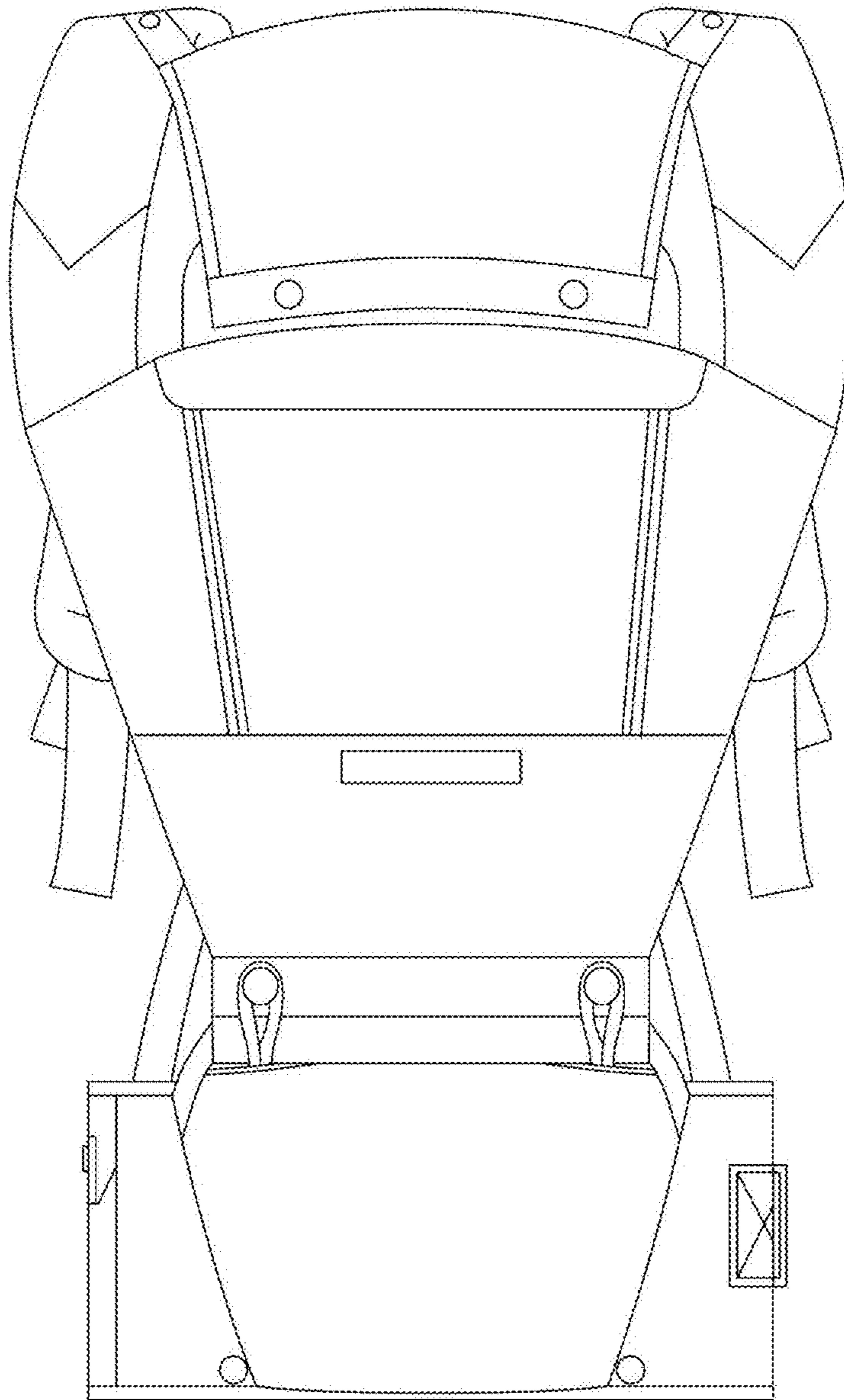


FIG. 3

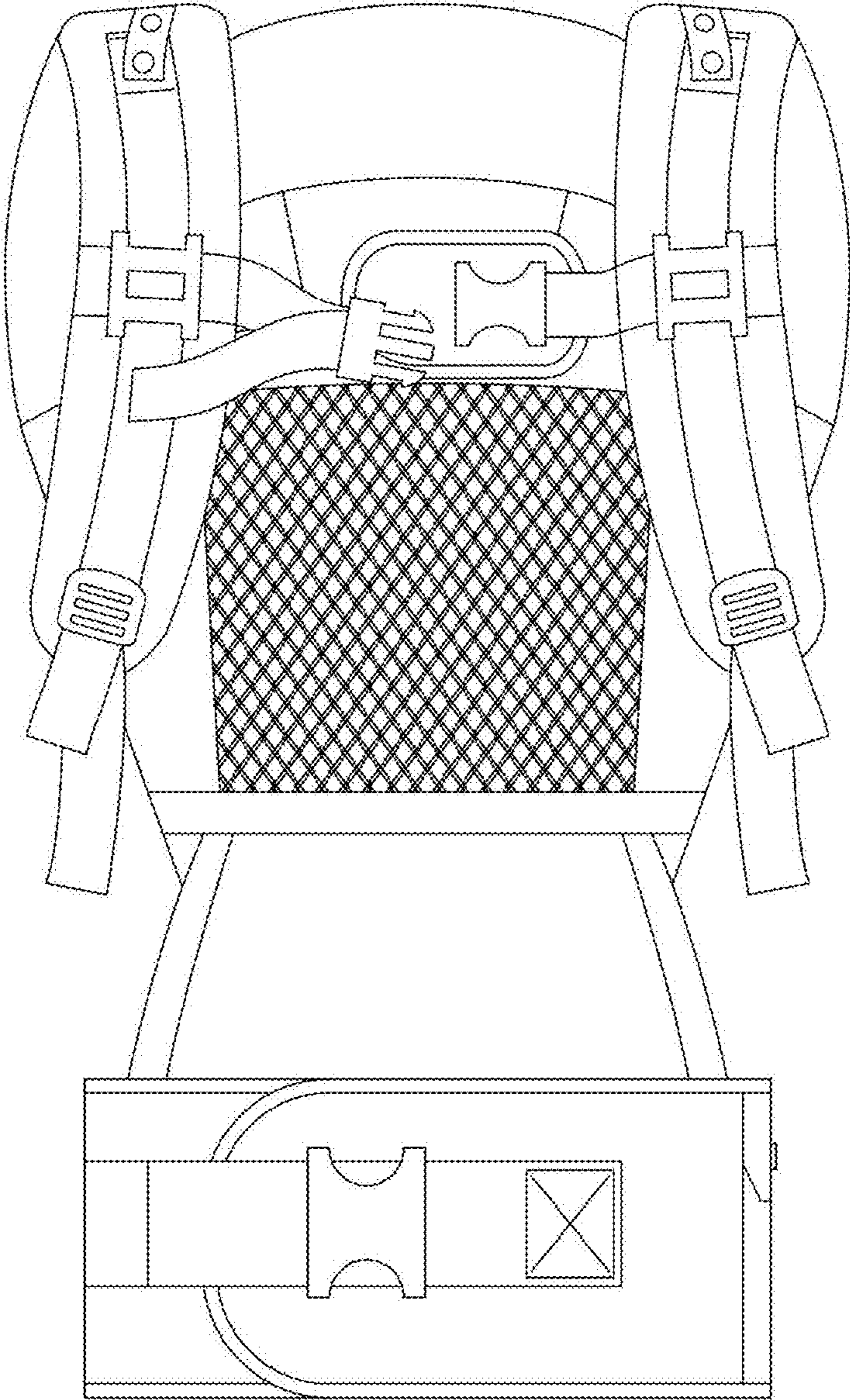


FIG. 4

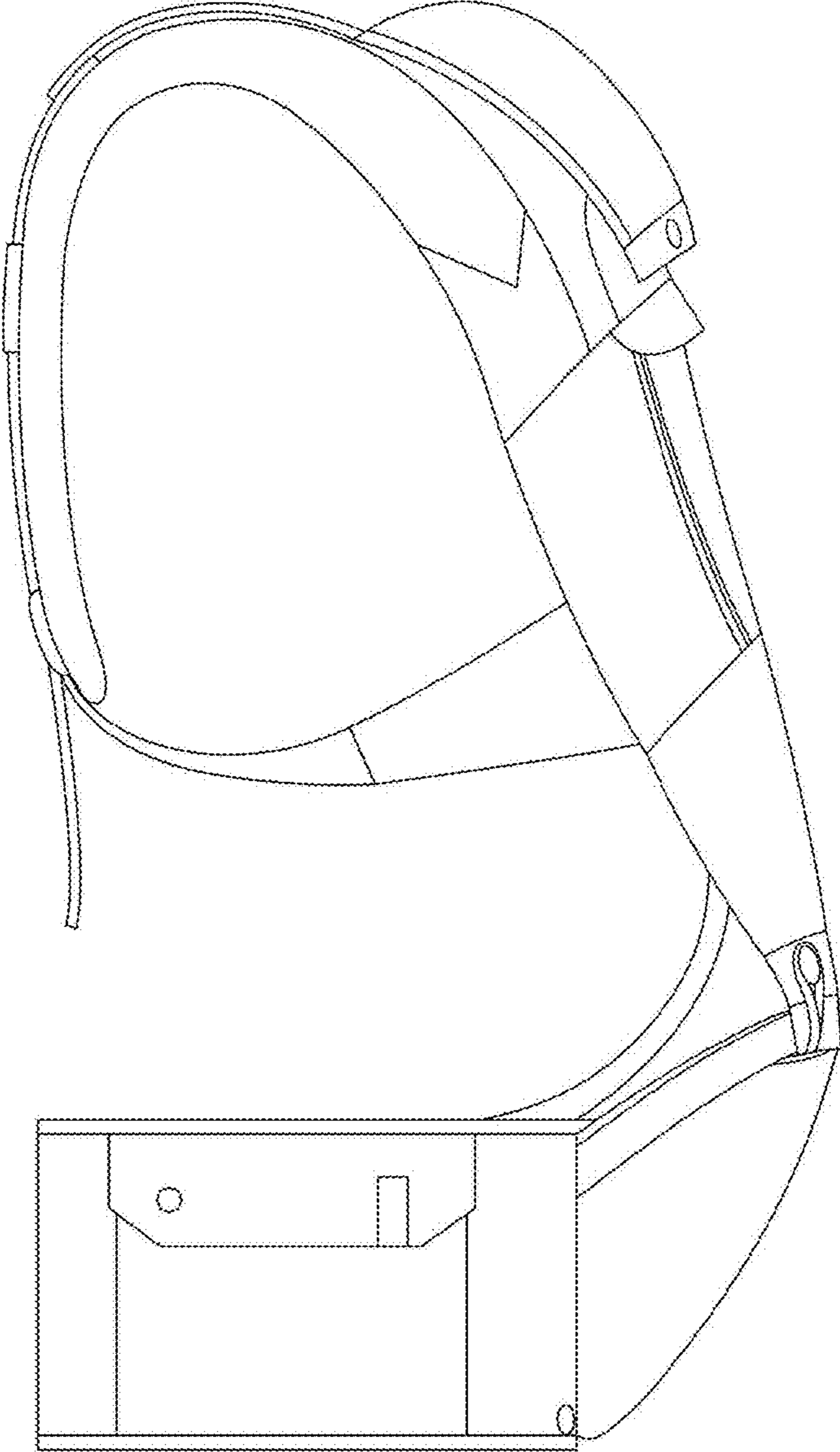


FIG. 5

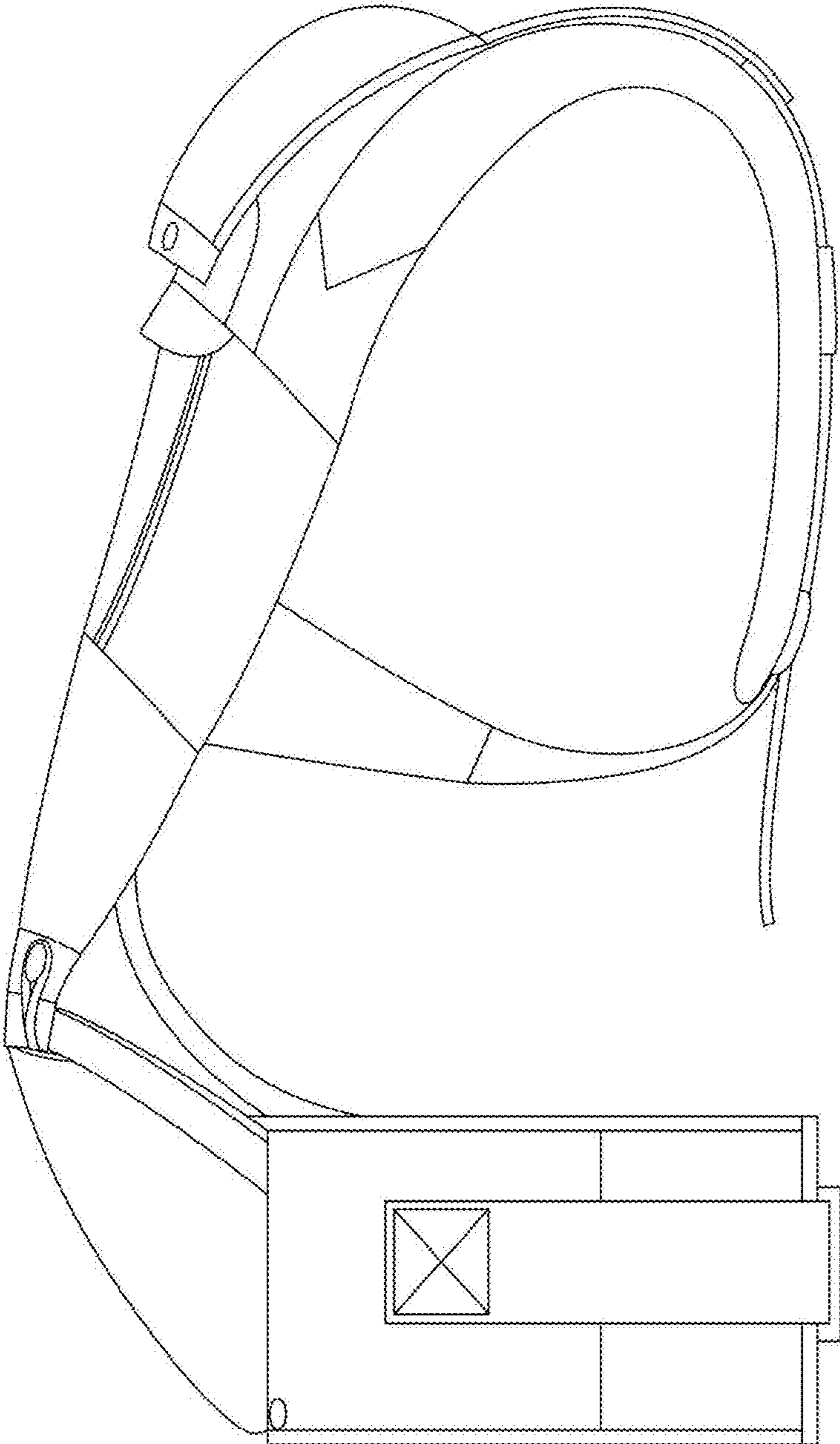


FIG. 6

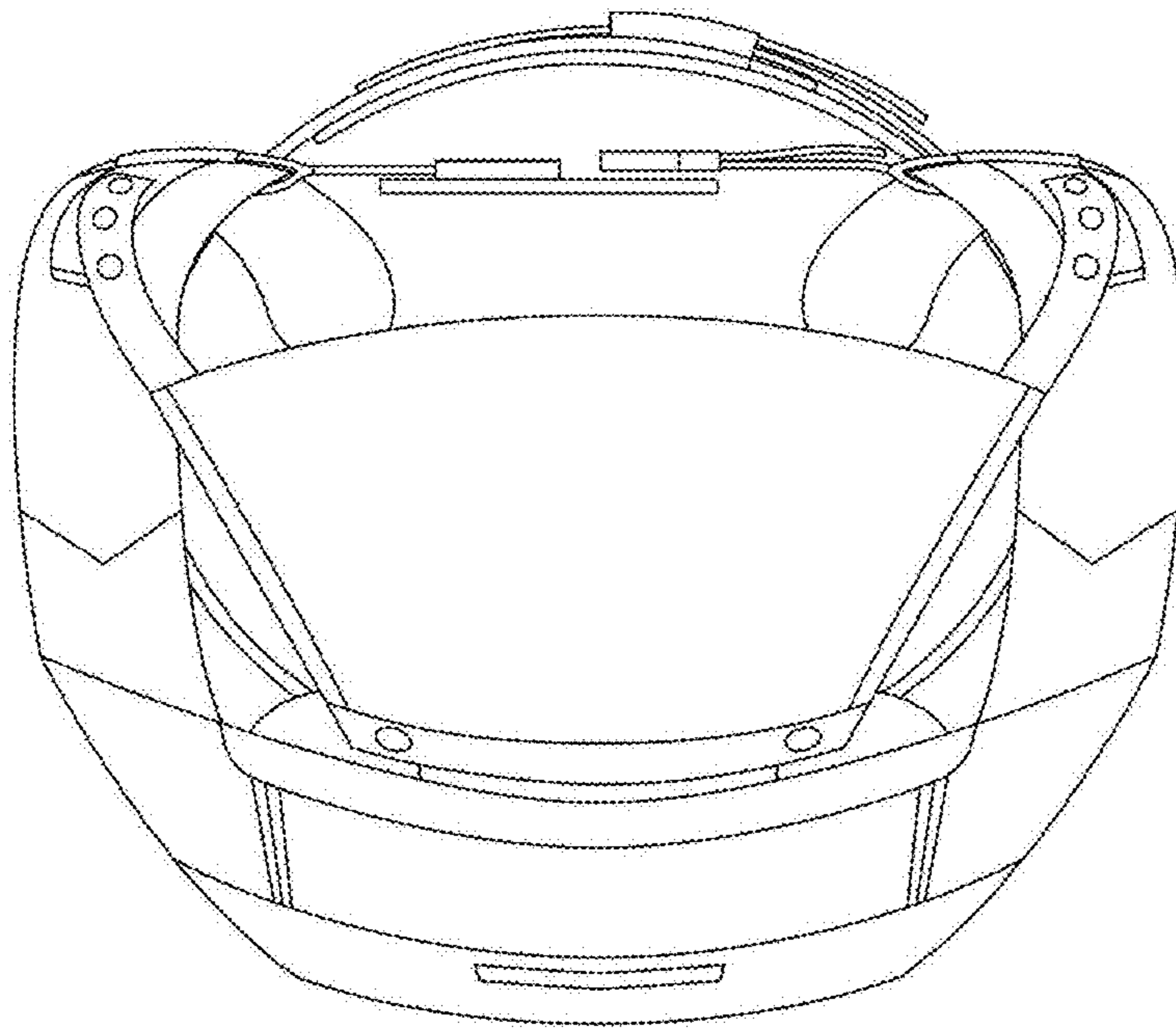


FIG. 7

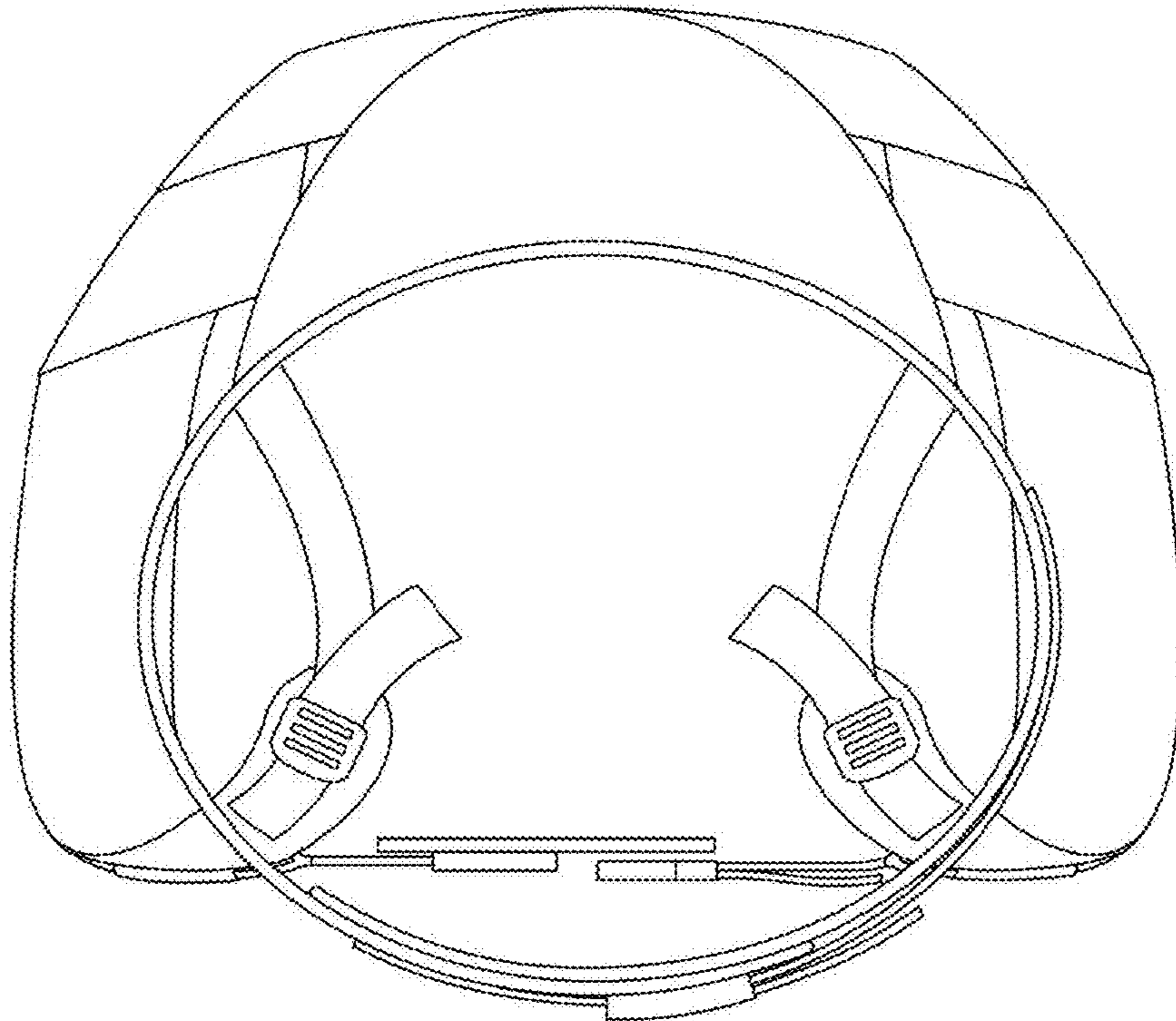


FIG. 8

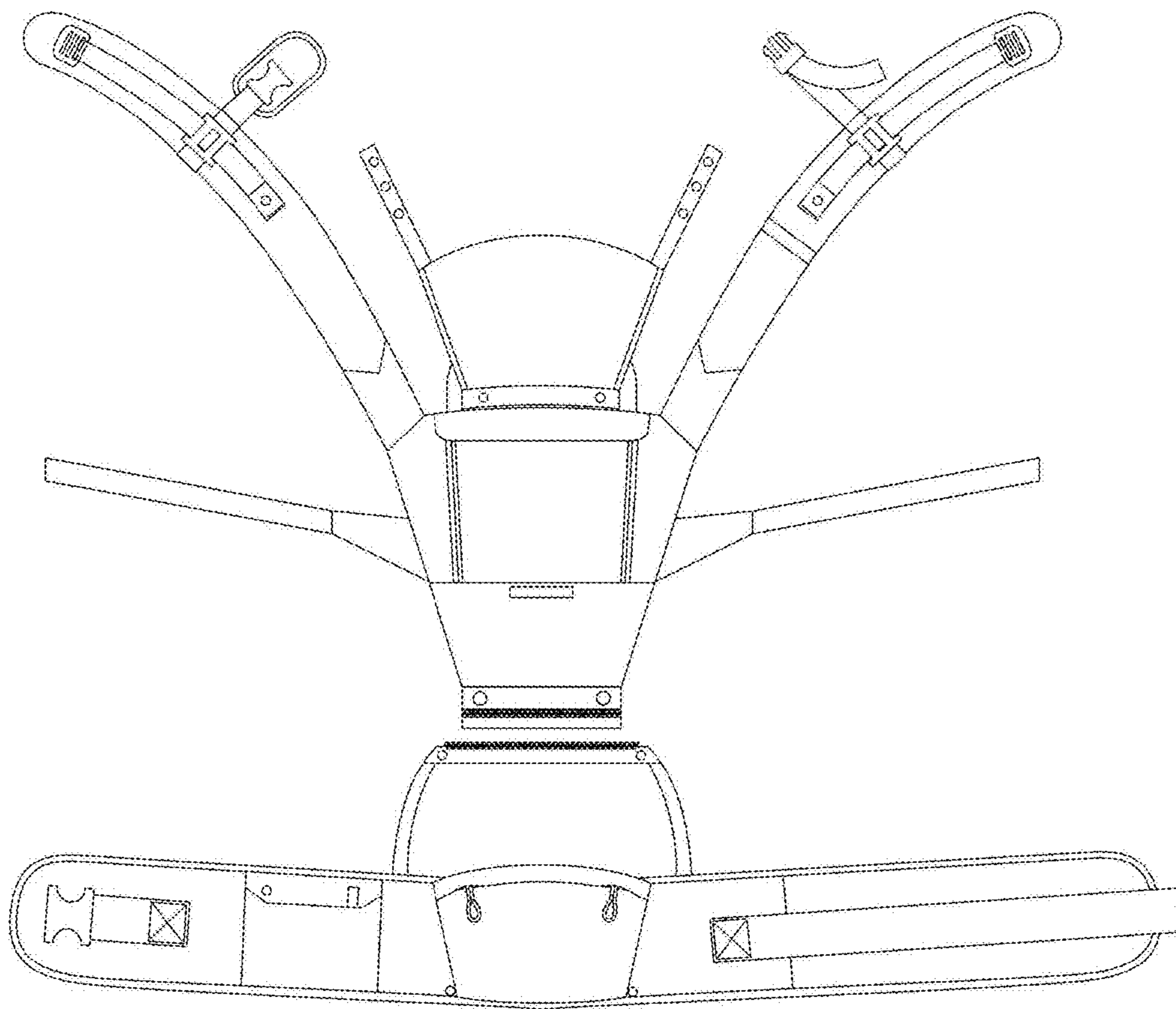


FIG. 9

