



US00D856660S

(12) **United States Design Patent** (10) **Patent No.:** **US D856,660 S**
Lu (45) **Date of Patent:** **** Aug. 20, 2019**

(54) **KEY COLLECTOR**

(71) Applicant: **AUTEL INTELLIGENT TECHNOLOGY CORP., LTD.**,
Shenzhen, Guangdong (CN)

(72) Inventor: **Boming Lu**, Guangdong (CN)

(73) Assignee: **AUTEL INTELLIGENT TECHNOLOGY CORP., LTD.**,
Shenzhen, Guangdong (CN)

(**) Term: **15 Years**

(21) Appl. No.: **29/654,035**

(22) Filed: **Jun. 20, 2018**

(30) **Foreign Application Priority Data**

Dec. 26, 2017 (CN) 2017 3 0670518

(51) **LOC (12) Cl.** **03-01**

(52) **U.S. Cl.**
USPC **D3/207**

(58) **Field of Classification Search**
USPC D3/207-212; 70/456 B, 457, 458, 408,
70/456 R; D13/168; D8/347; D10/104;
D14/496, 411; 206/37.1; D21/604, 605,
D21/656, 658, 659; 24/3.6; D11/11, 79,
D11/81, 82, 87
CPC H04B 1/034; F04B 15/00; E05B 19/00;
E05B 19/04; A44B 15/00; A44B 15/002;
A44B 15/005; A44B 15/007
See application file for complete search history.

(56) **References Cited**

U.S. PATENT DOCUMENTS

6,979,099 B2 * 12/2005 Harris, Jr. F21L 4/025
200/1 B
D541,040 S * 4/2007 Cui D3/207

D587,449 S * 3/2009 Oksanen D3/207
D587,899 S * 3/2009 Oksanen D3/207
D624,220 S * 9/2010 Shaljian D26/38
D636,175 S * 4/2011 Edocs D3/207
D636,986 S * 5/2011 Idsoe D3/208
D661,889 S * 6/2012 Wu D3/207
D680,732 S * 4/2013 Nagy D3/207
D704,931 S * 5/2014 Abellera D3/207
D725,374 S * 3/2015 Oksanen D3/209
D762,507 S * 8/2016 Pipkin D10/106.9
D790,848 S * 7/2017 Byrd D3/208

* cited by examiner

Primary Examiner — Michael A. Pratt

(74) *Attorney, Agent, or Firm* — Ladas & Parry LLP

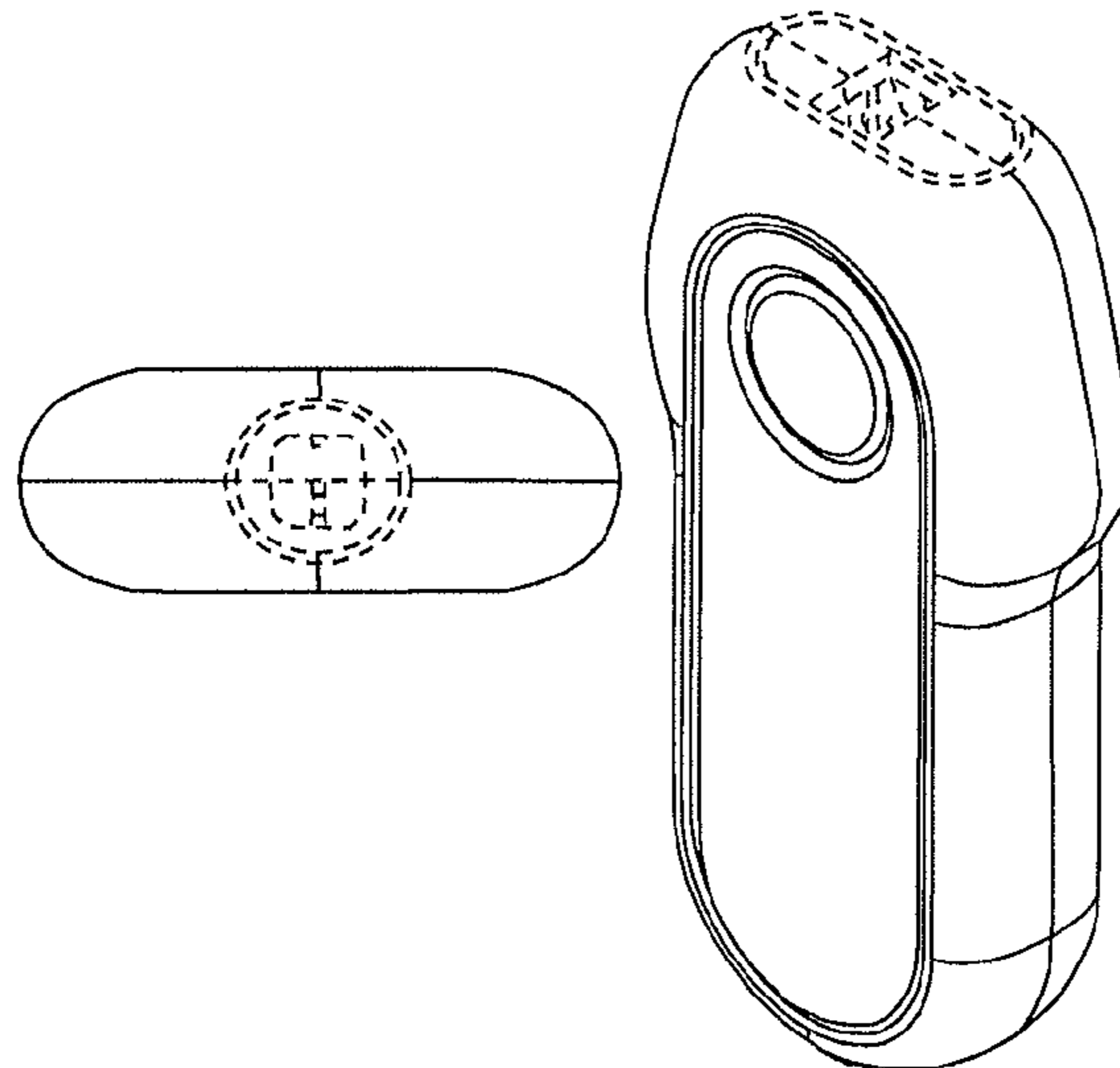
(57) **CLAIM**

The ornamental design for a key collector, as shown and described.

DESCRIPTION

FIG. 1 is a front elevational view of a key collector showing our new design;
FIG. 2 is a rear elevational view thereof;
FIG. 3 is a left side elevational view thereof;
FIG. 4 is a right side elevational view thereof;
FIG. 5 is a top plan view thereof;
FIG. 6 is a bottom plan view thereof; and,
FIG. 7 is a perspective view thereof.
The broken lines are included for the purpose of illustrating portions of the key collector that form no part of the claimed design.

1 Claim, 3 Drawing Sheets



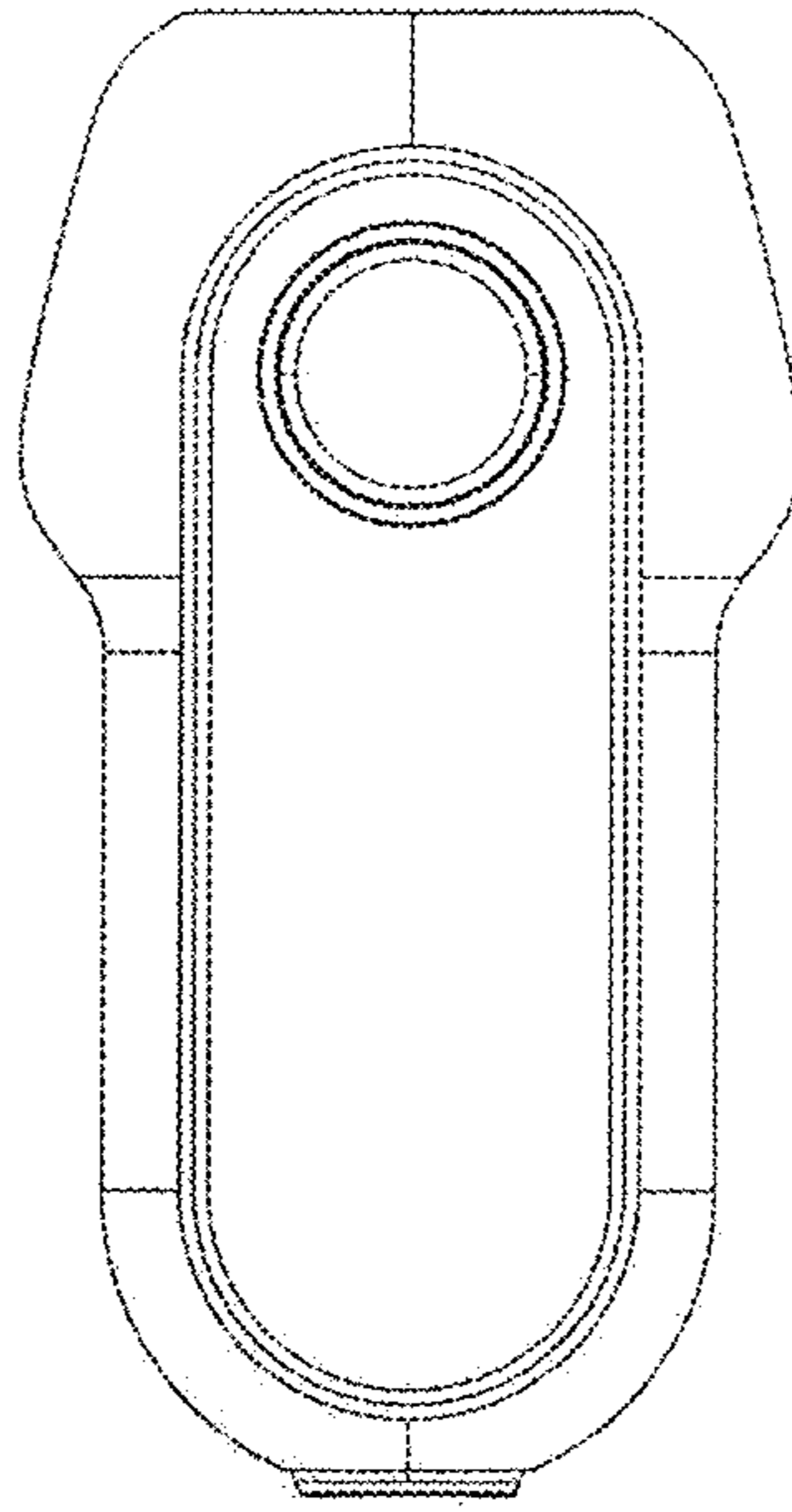


FIG.1

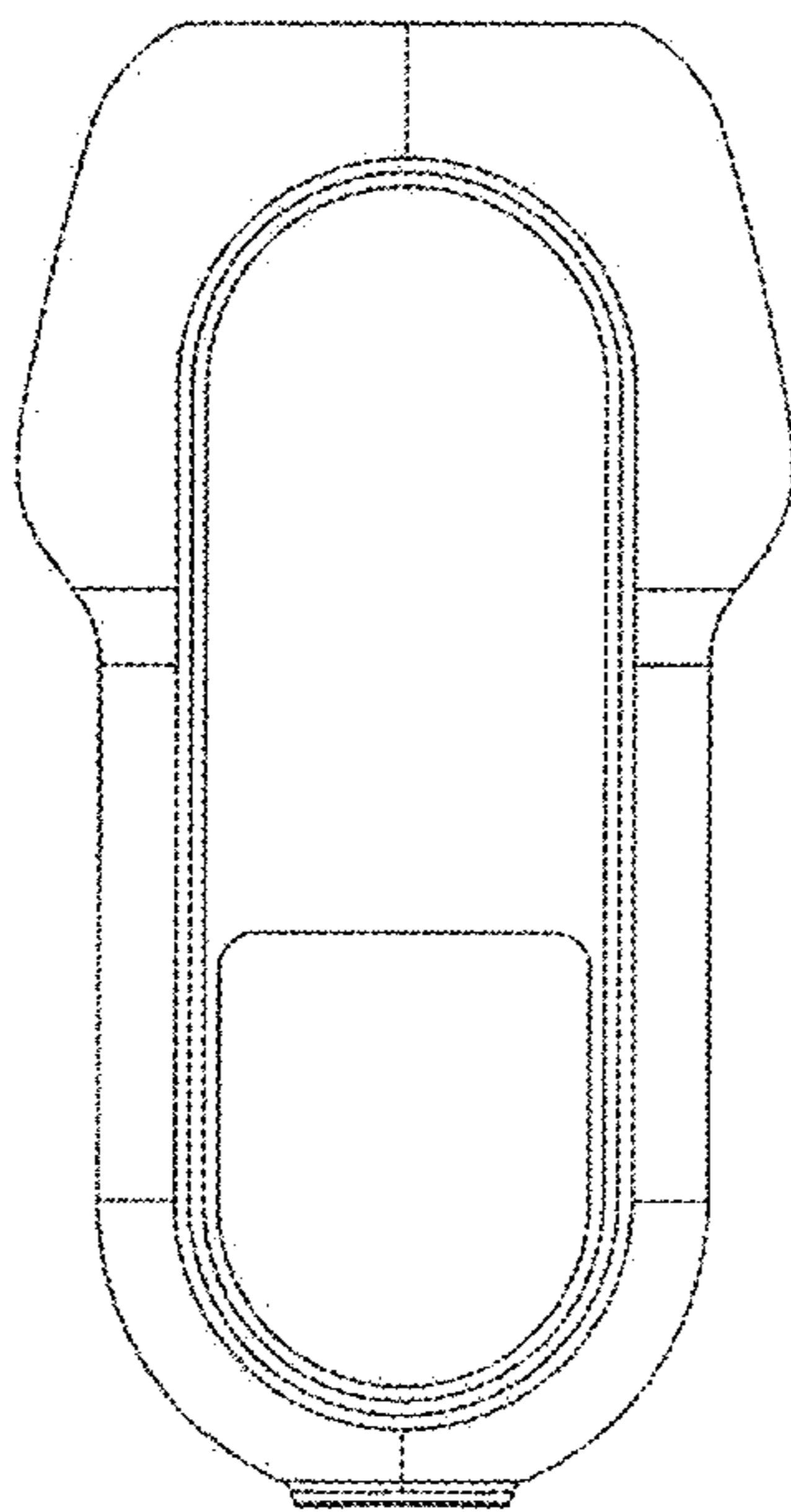


FIG.2

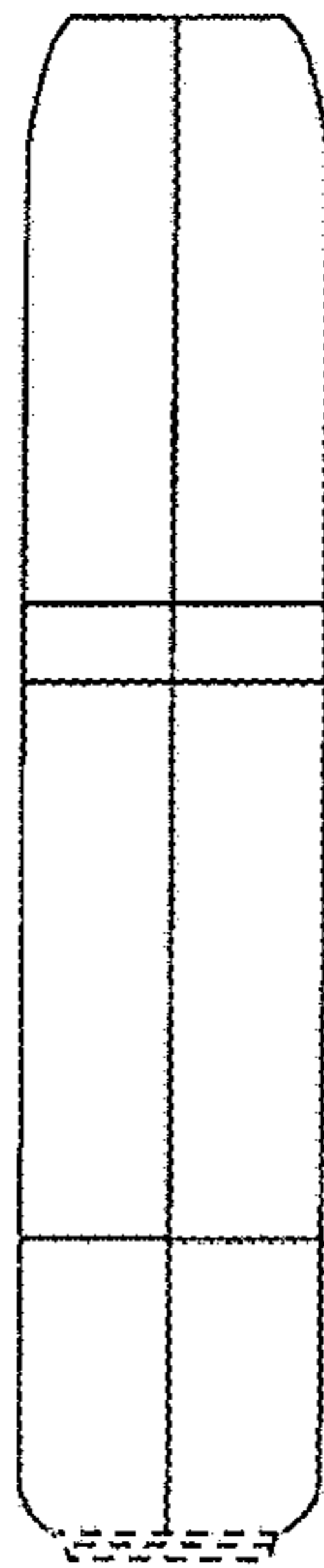


FIG. 3

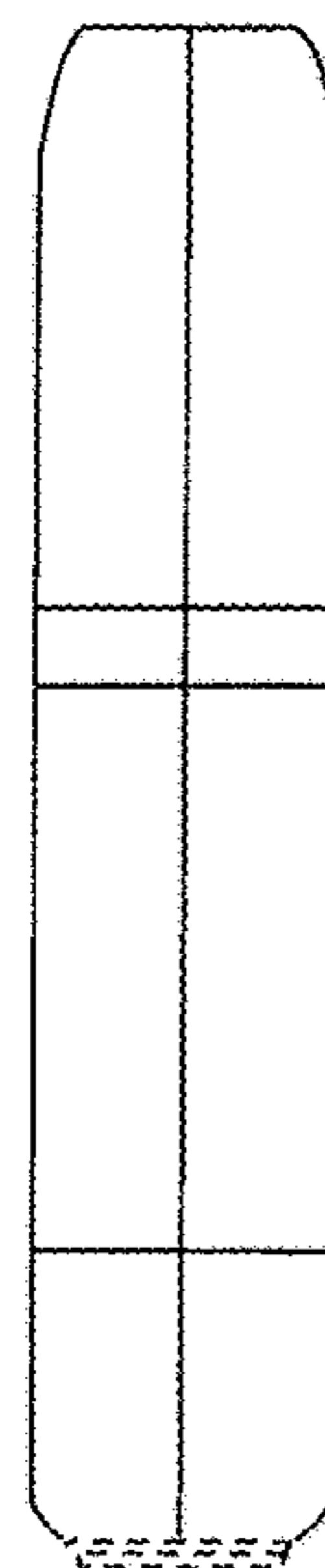


FIG. 4

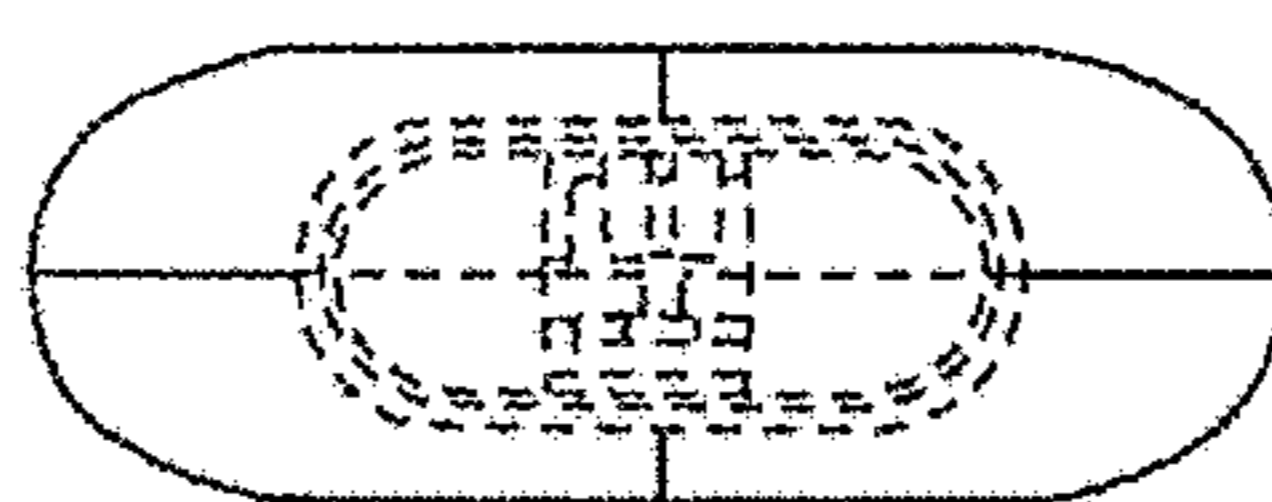


FIG. 5

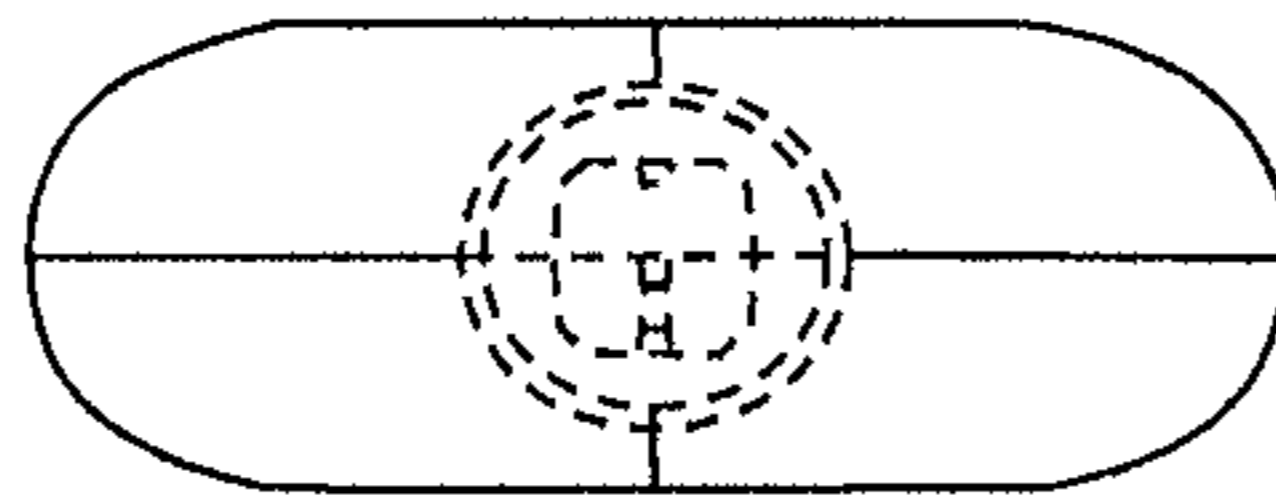


FIG. 6

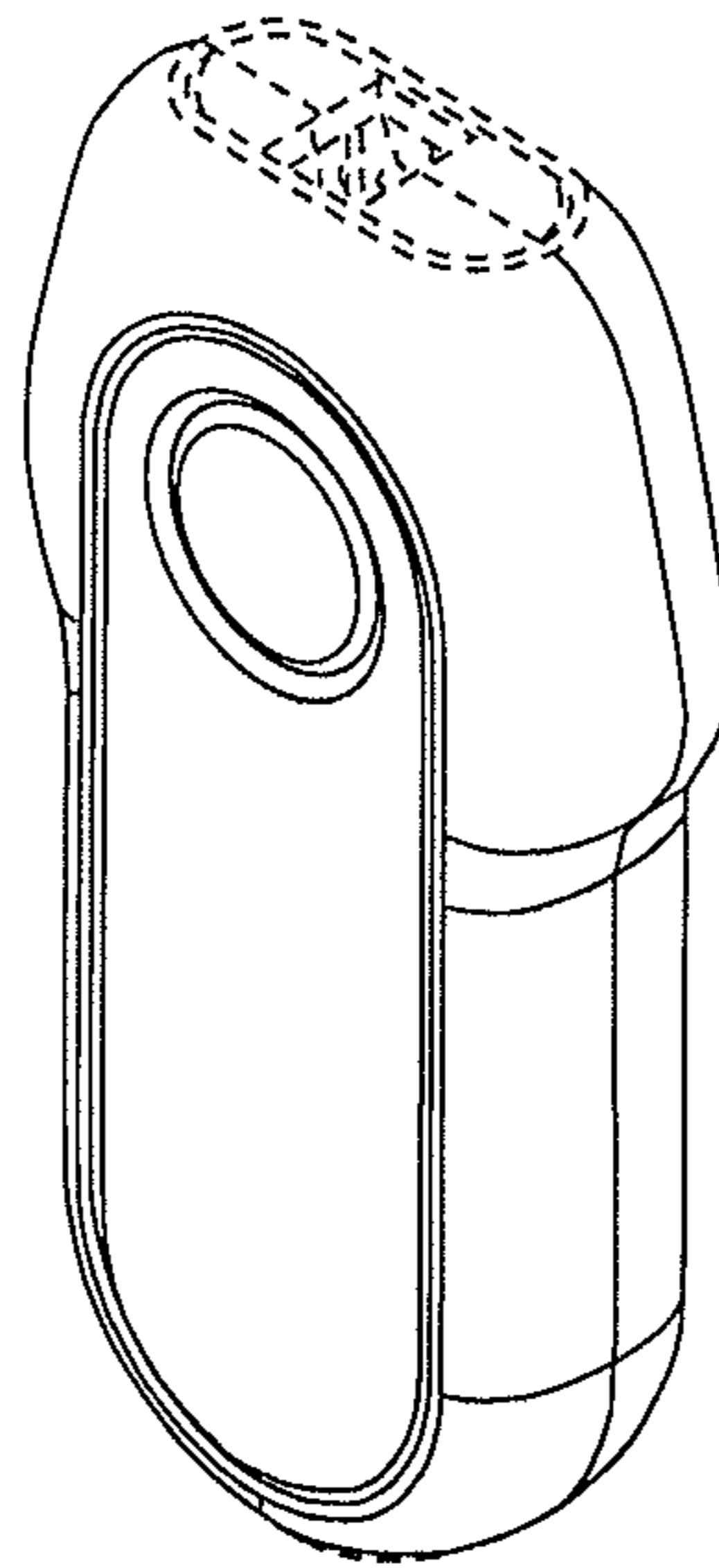


FIG. 7