



US00D856659S

(12) **United States Design Patent** (10) **Patent No.:** **US D856,659 S**
Kanstrup et al. (45) **Date of Patent:** **** Aug. 20, 2019**

(54) **INHALER COVER**
(71) Applicants: **Christopher Kanstrup**, Los Angeles, CA (US); **Troy Jamerson**, Jamaica, NY (US); **Jeffrey Higashi**, Torrance, CA (US); **Junpei Okai**, Los Angeles, CA (US)
(72) Inventors: **Christopher Kanstrup**, Los Angeles, CA (US); **Troy Jamerson**, Jamaica, NY (US); **Jeffrey Higashi**, Torrance, CA (US); **Junpei Okai**, Los Angeles, CA (US)

6,196,431 B1 * 3/2001 Underhill A45F 5/02
224/237
6,360,929 B1 * 3/2002 McCarthy A45F 5/02
224/194
D461,239 S * 8/2002 Cassidy D24/110
(Continued)

Primary Examiner — John Windmuller
Assistant Examiner — Steven J Czyz
(74) *Attorney, Agent, or Firm* — Spencer Fane LLP;
Steven J. Laureanti

(57) **CLAIM**
The ornamental design for an inhaler cover, as shown and described.

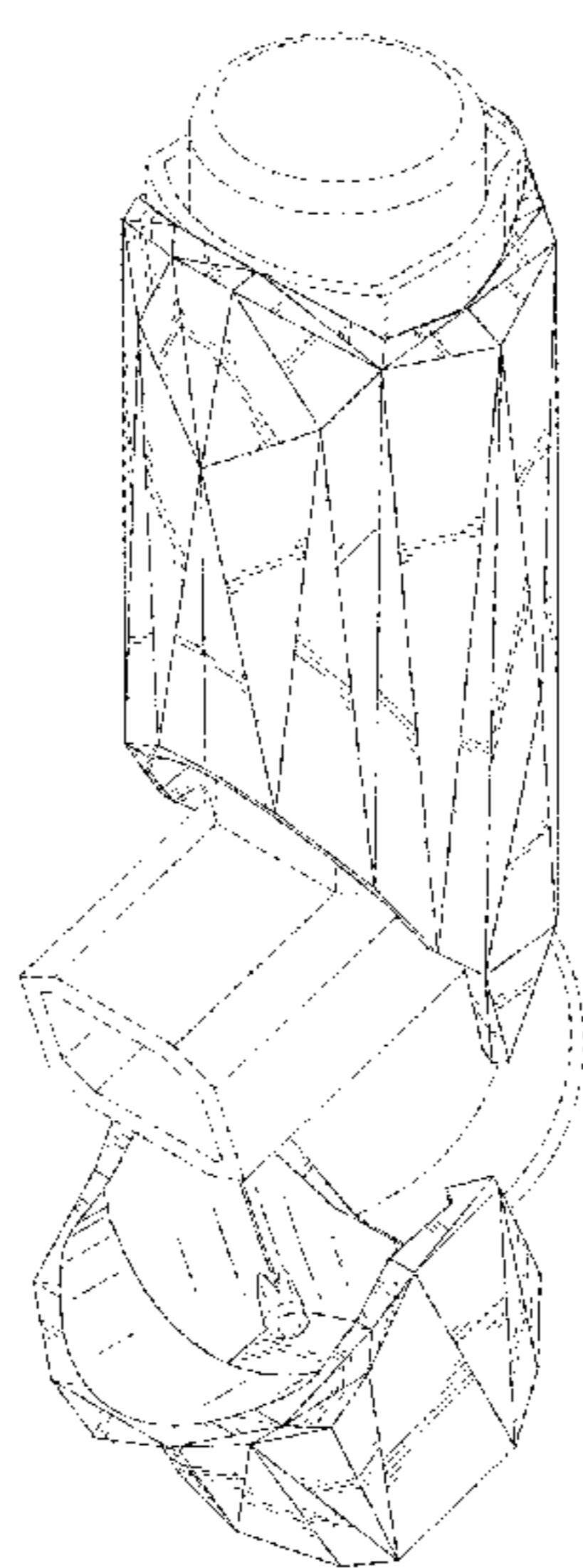
(**) Term: **15 Years**
(21) Appl. No.: **29/654,678**
(22) Filed: **Jun. 26, 2018**
(51) **LOC (12) Cl.** **03-01**
(52) **U.S. Cl.**
USPC **D3/203.1**
(58) **Field of Classification Search**
USPC D3/201, 203.1, 203.5, 203.6, 269;
D9/711, 435; D14/250; D24/127, 128,
D24/132
CPC A61M 15/00; A61M 15/009; A61M
15/0026; A45F 5/00
See application file for complete search history.

DESCRIPTION

FIG. 1 is a front perspective view of an inhaler cover of the present invention, showing the body portion separately for ease of disclosure;
FIG. 2 is a front view thereof;
FIG. 3 is a rear view thereof;
FIG. 4 is a right side view thereof;
FIG. 5 is a left side view thereof;
FIG. 6 is a top view thereof;
FIG. 7 is a bottom view thereof;
FIG. 8 is a rear perspective view thereof;
FIG. 9 is a front perspective view of the inhaler cover, showing the cap portion separately for ease of disclosure;
FIG. 10 is a front view thereof;
FIG. 11 is a rear view thereof;
FIG. 12 is a right side view thereof;
FIG. 13 is a left side view thereof;
FIG. 14 is a top view thereof;
FIG. 15 is a bottom view thereof;
FIG. 16 is a rear perspective view thereof; and,
FIG. 17 is a perspective view of the inhaler cover, showing the body and cap portions together with environment.
The broken lines depict environment that forms no part of the claimed design.

(56) **References Cited**
U.S. PATENT DOCUMENTS
D311,443 S * 10/1990 Long D24/110
D349,572 S * 8/1994 Jagnandan D24/110
D368,364 S * 4/1996 Reitano D3/215
D370,726 S * 6/1996 Padfield 128/200.21
D395,147 S * 6/1998 Vidgren D24/110
6,164,275 A * 12/2000 Van Iderstine A45F 5/00
128/200.14
D439,325 S * 3/2001 Frost D24/110

1 Claim, 13 Drawing Sheets



(56)

References Cited

U.S. PATENT DOCUMENTS

6,557,737 B1 *	5/2003	Hanson	A45F 5/00	D761,623 S *	7/2016	Leimone	D7/507
				128/200.14	D781,113 S *	3/2017	Kocsis	D7/624.2
7,082,943 B1 *	8/2006	Clark	A45F 5/00	D783,152 S *	4/2017	Fosbury	D24/110
				128/200.23	D783,153 S *	4/2017	Cottam	D24/110
D582,544 S *	12/2008	Meziere	D24/110	D783,154 S *	4/2017	Fosbury	D24/110
D607,447 S *	1/2010	Ferrari	D14/250	D783,155 S *	4/2017	Fosbury	D24/110
D618,065 S *	6/2010	Joy	D7/607	D783,156 S *	4/2017	Milton-Edwards	D24/110
D621,259 S *	8/2010	Joy	D9/444	D783,157 S *	4/2017	Milton-Edwards	D24/110
D623,737 S *	9/2010	Barker	D24/128	D783,158 S *	4/2017	Milton-Edwards	D24/110
D629,259 S *	12/2010	Joy	D7/607	D783,159 S *	4/2017	Fosbury	D24/110
D629,889 S *	12/2010	Zuyderhoudt	D24/110.5	D783,804 S *	4/2017	Fosbury	D24/110
D645,954 S *	9/2011	Hately	D24/110	D783,805 S *	4/2017	Milton-Edwards	D24/110
D653,747 S *	2/2012	Anderson	D24/110	D783,806 S *	4/2017	Milton-Edwards	D24/110
D660,411 S *	5/2012	Zuyderhoudt	D24/110	D783,807 S *	4/2017	Fosbury	D24/110
D681,803 S *	5/2013	Sheehy	D24/110	D784,294 S *	4/2017	Fields	D14/217
D681,804 S *	5/2013	Sheehy	D24/110	D787,810 S *	5/2017	Wang	D3/203.1
8,931,476 B2 *	1/2015	Kaar	A61M 15/009	D822,834 S *	7/2018	Harper, IV	D24/167
				128/200.23	D830,786 S *	10/2018	Miller	D7/624.2
					D838,471 S *	1/2019	Young	D3/201
					D841,011 S *	2/2019	Mecchella	D14/440
					D842,050 S *	3/2019	Laustsen	D7/624.2

* cited by examiner

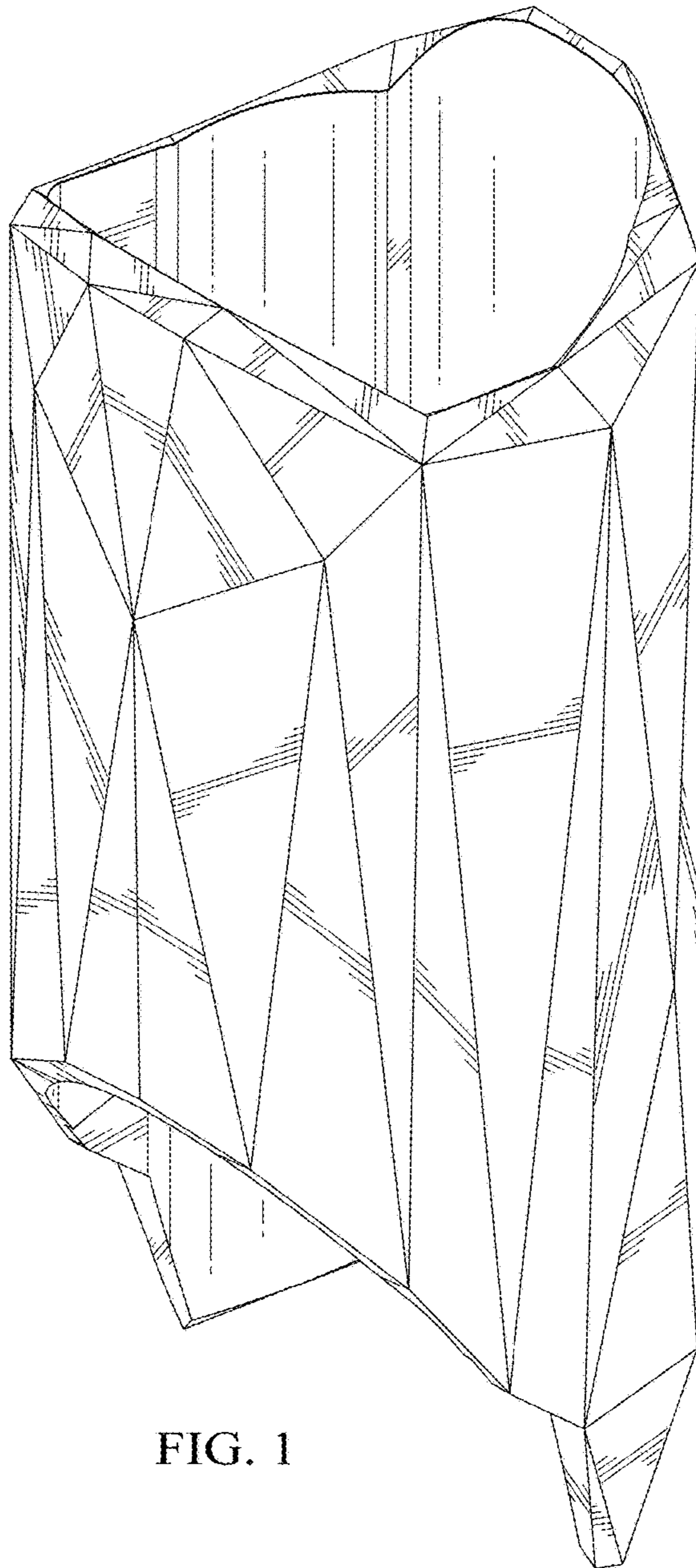


FIG. 1

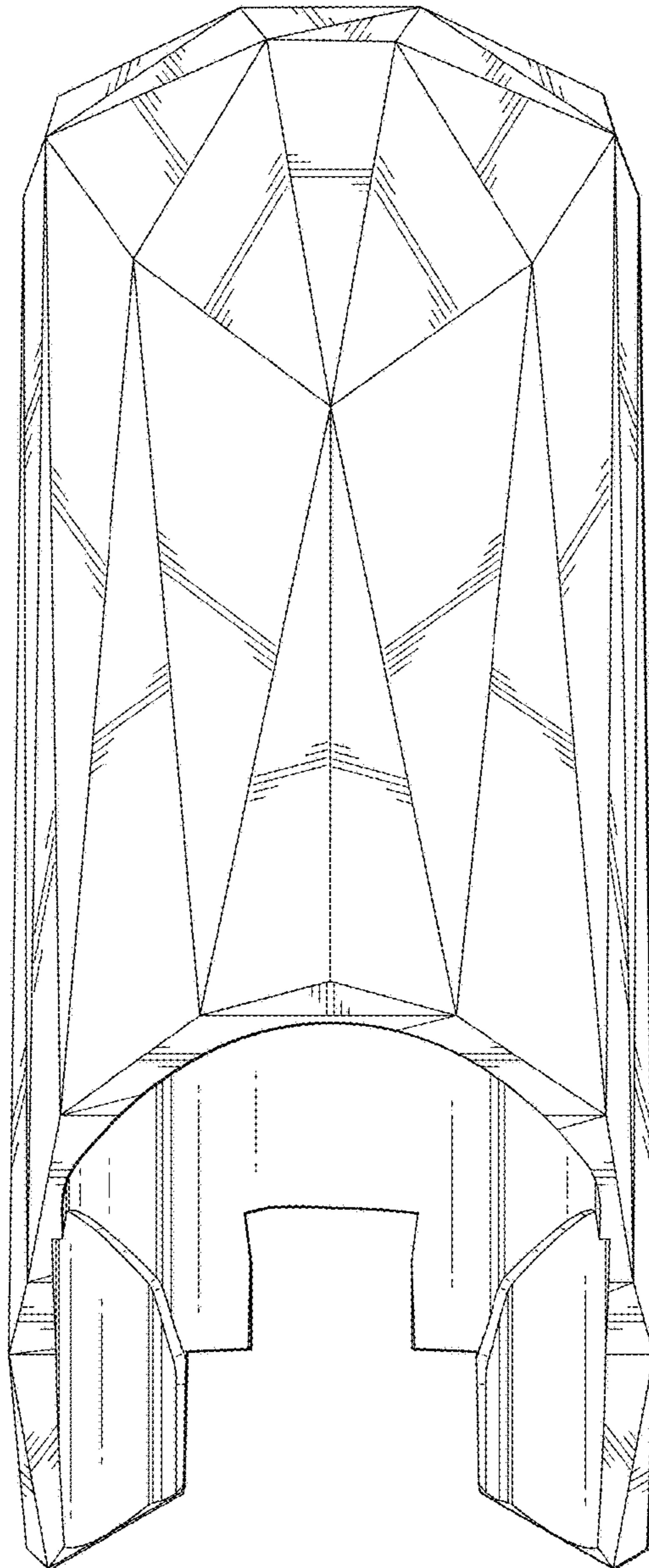


FIG. 2

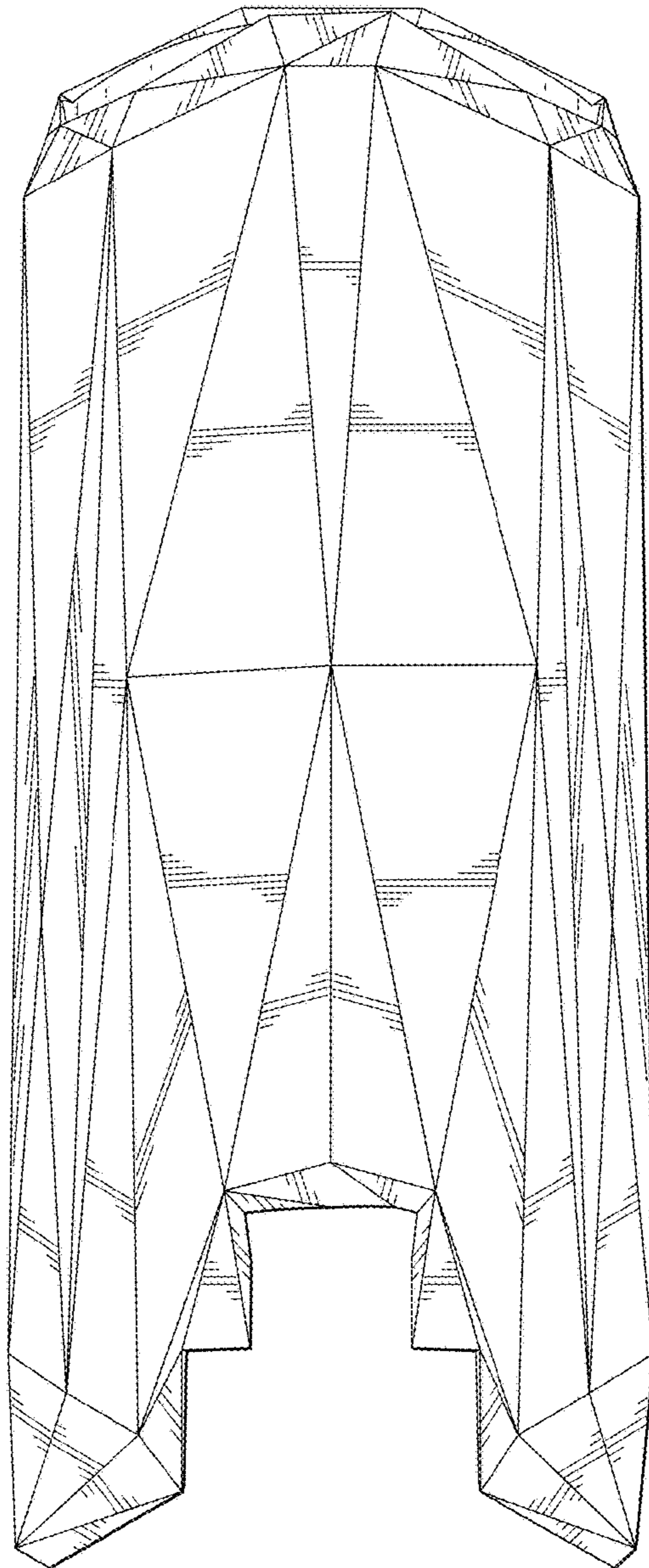


FIG. 3

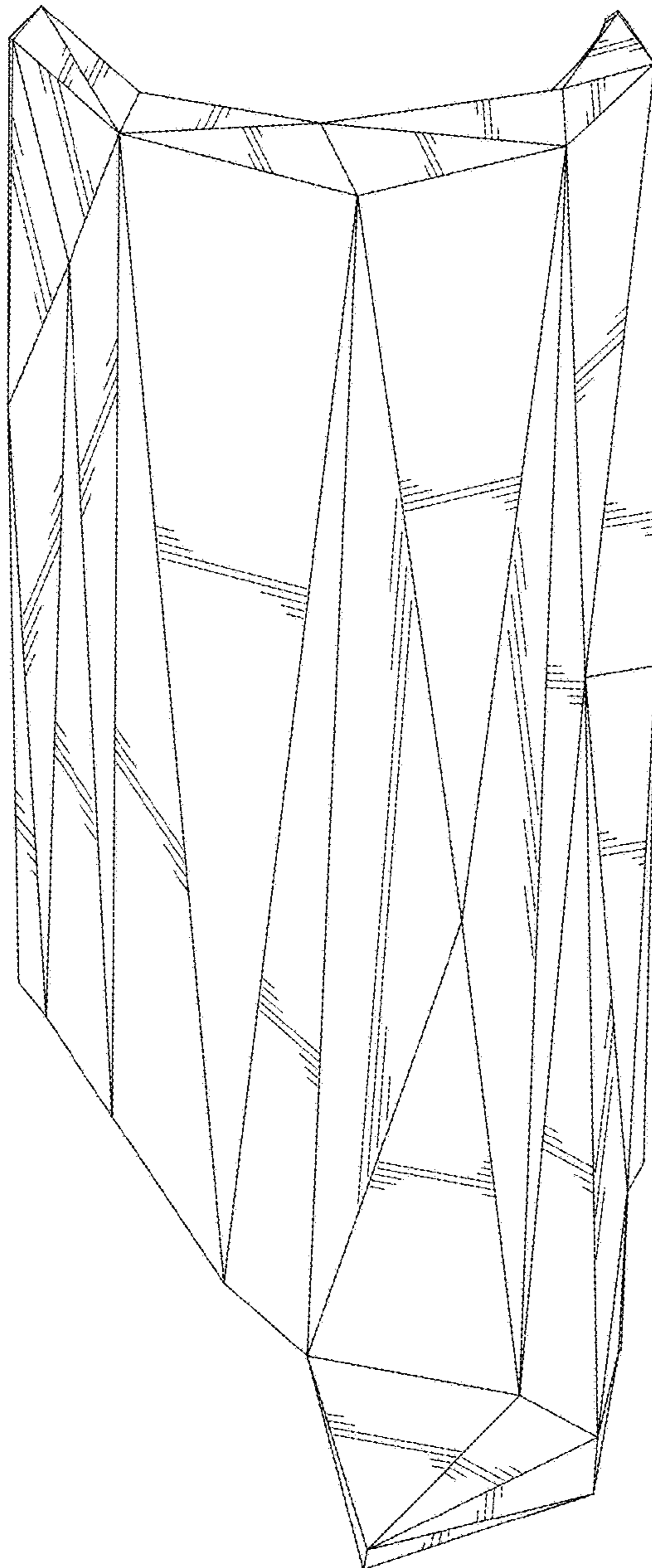


FIG. 4

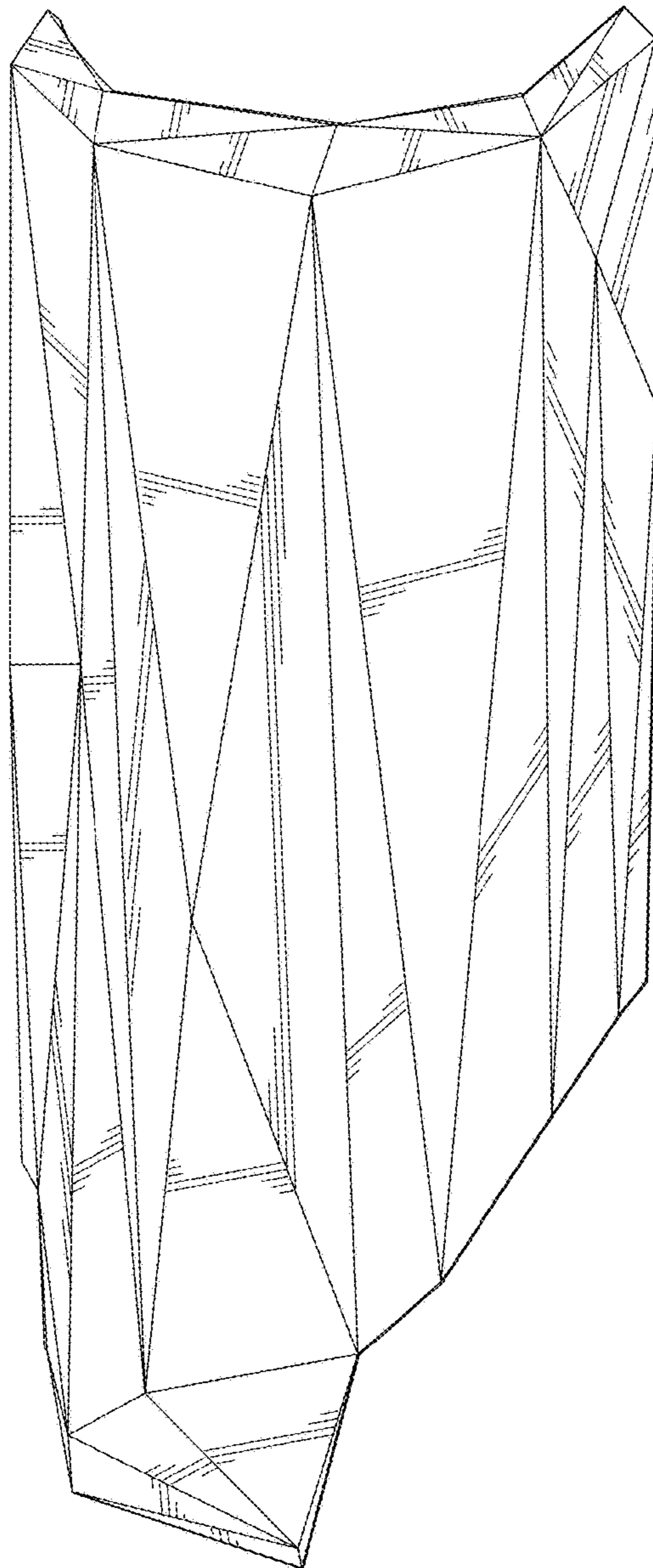


FIG. 5

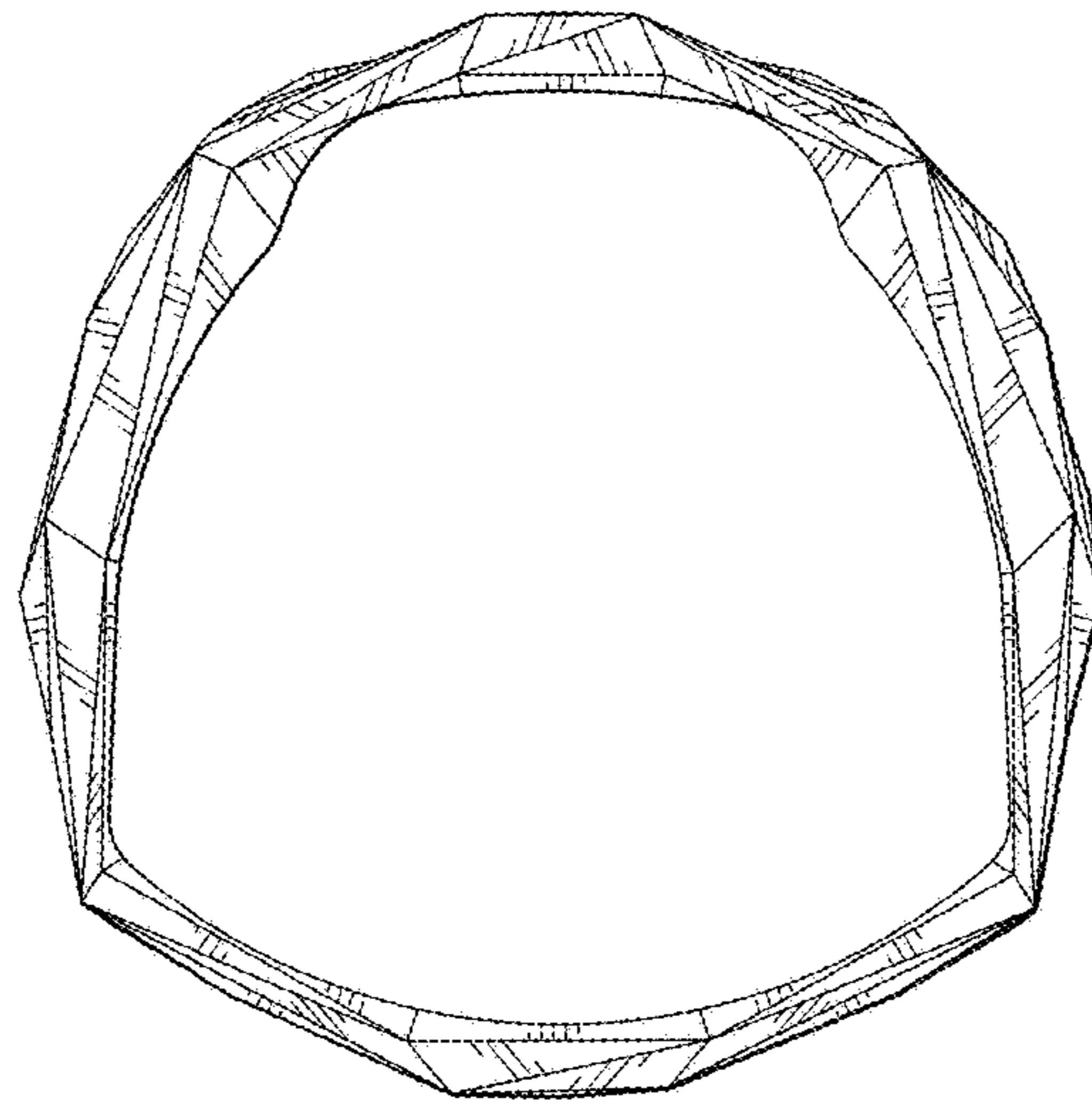


FIG. 6

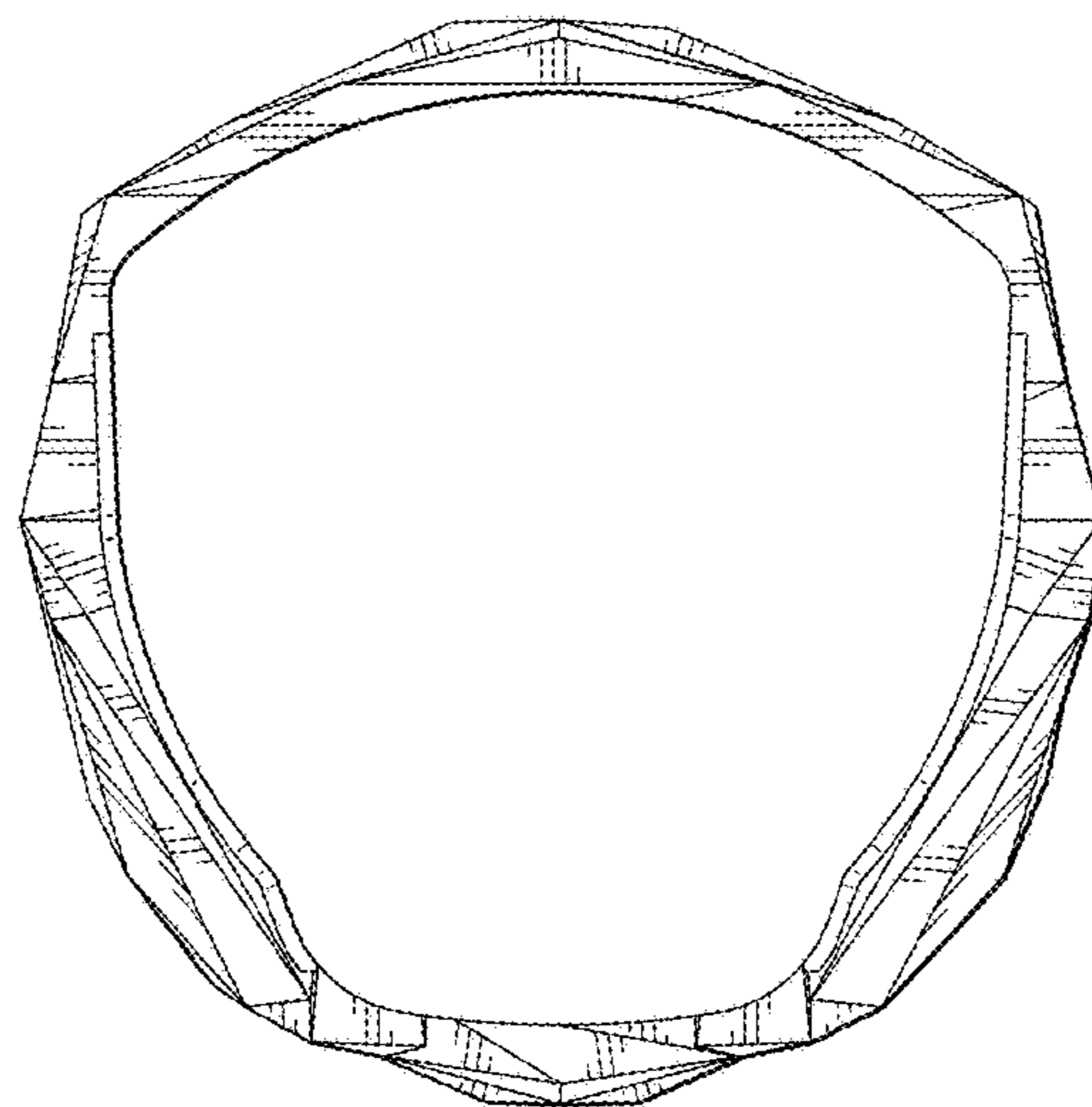


FIG. 7

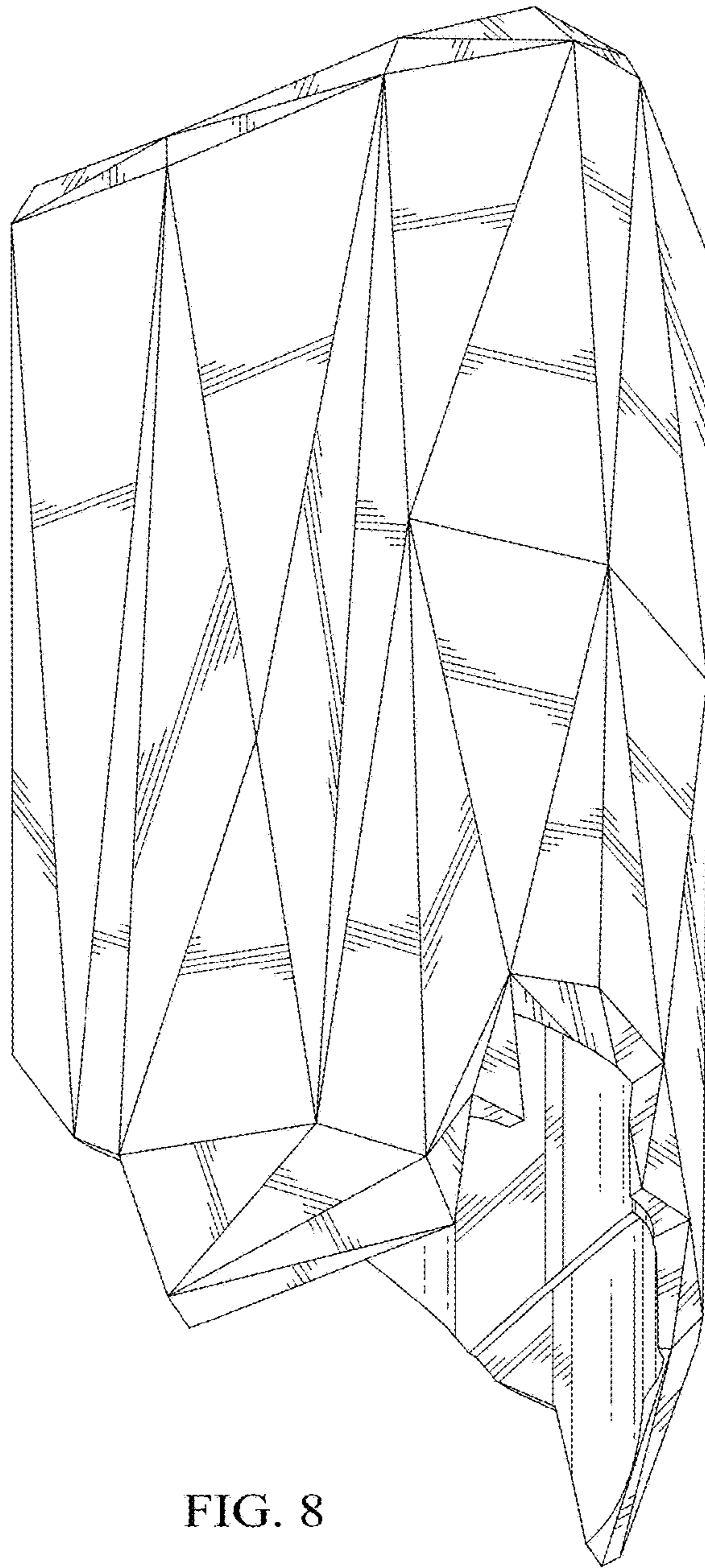


FIG. 8

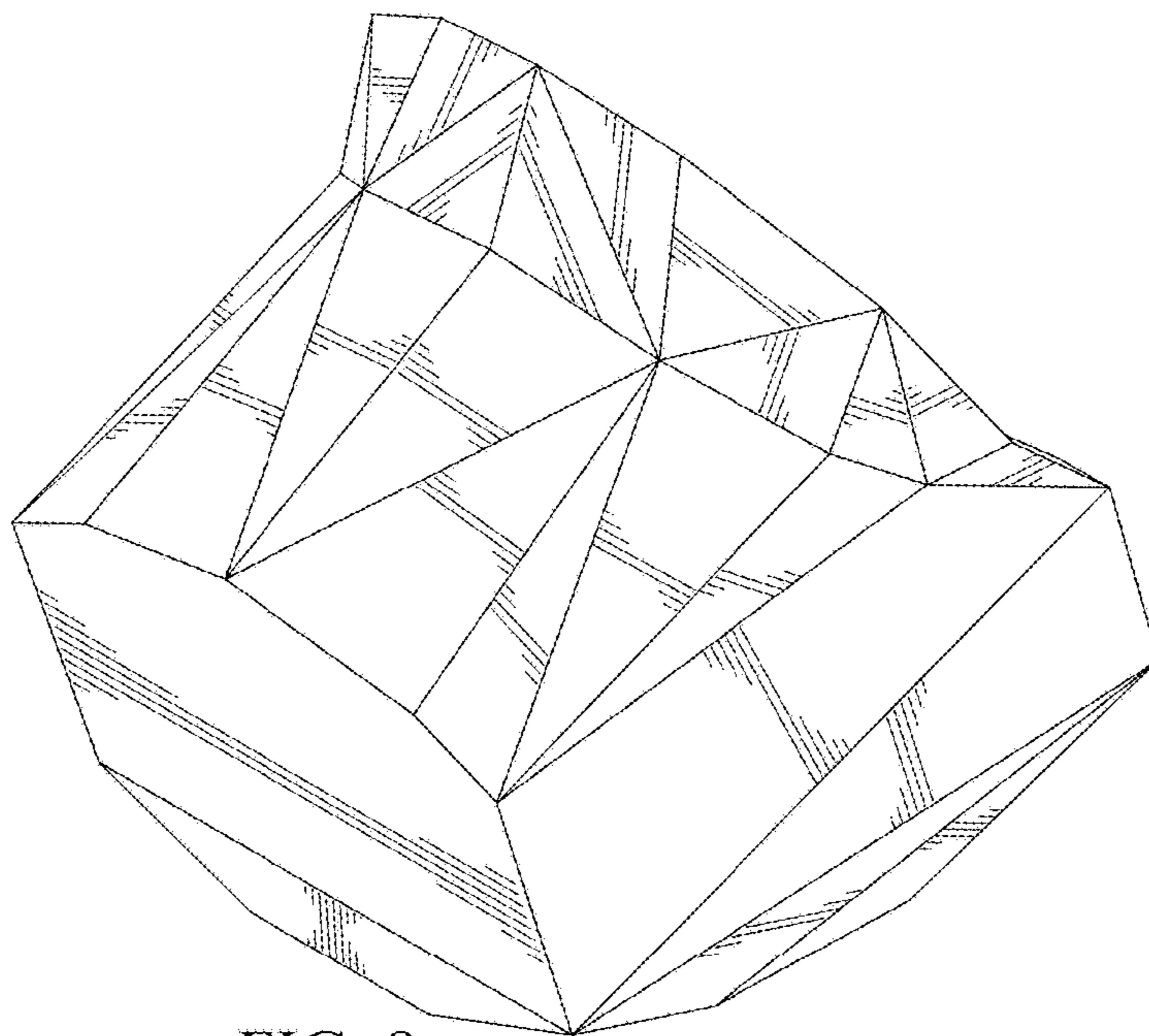


FIG. 9

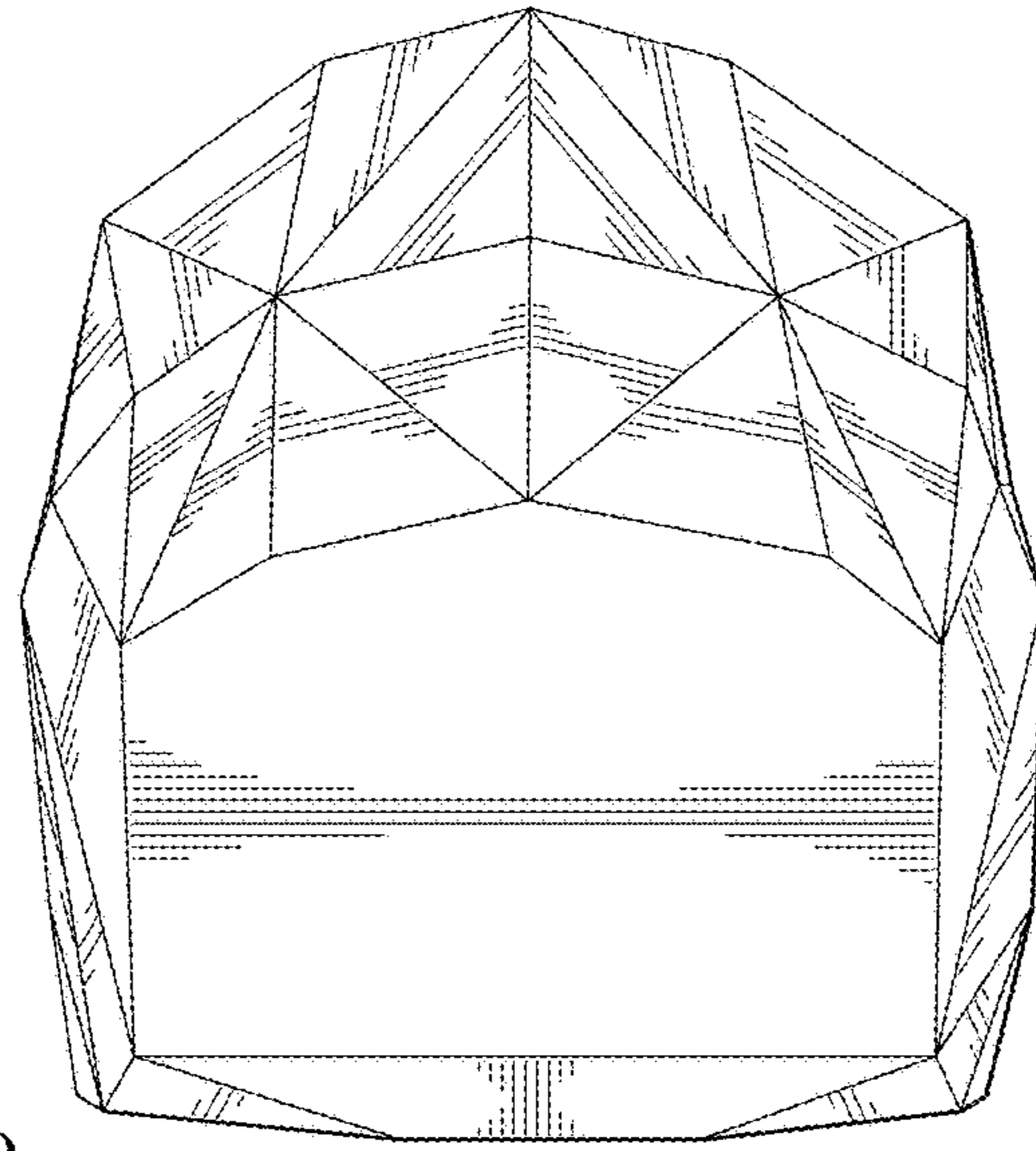


FIG. 10

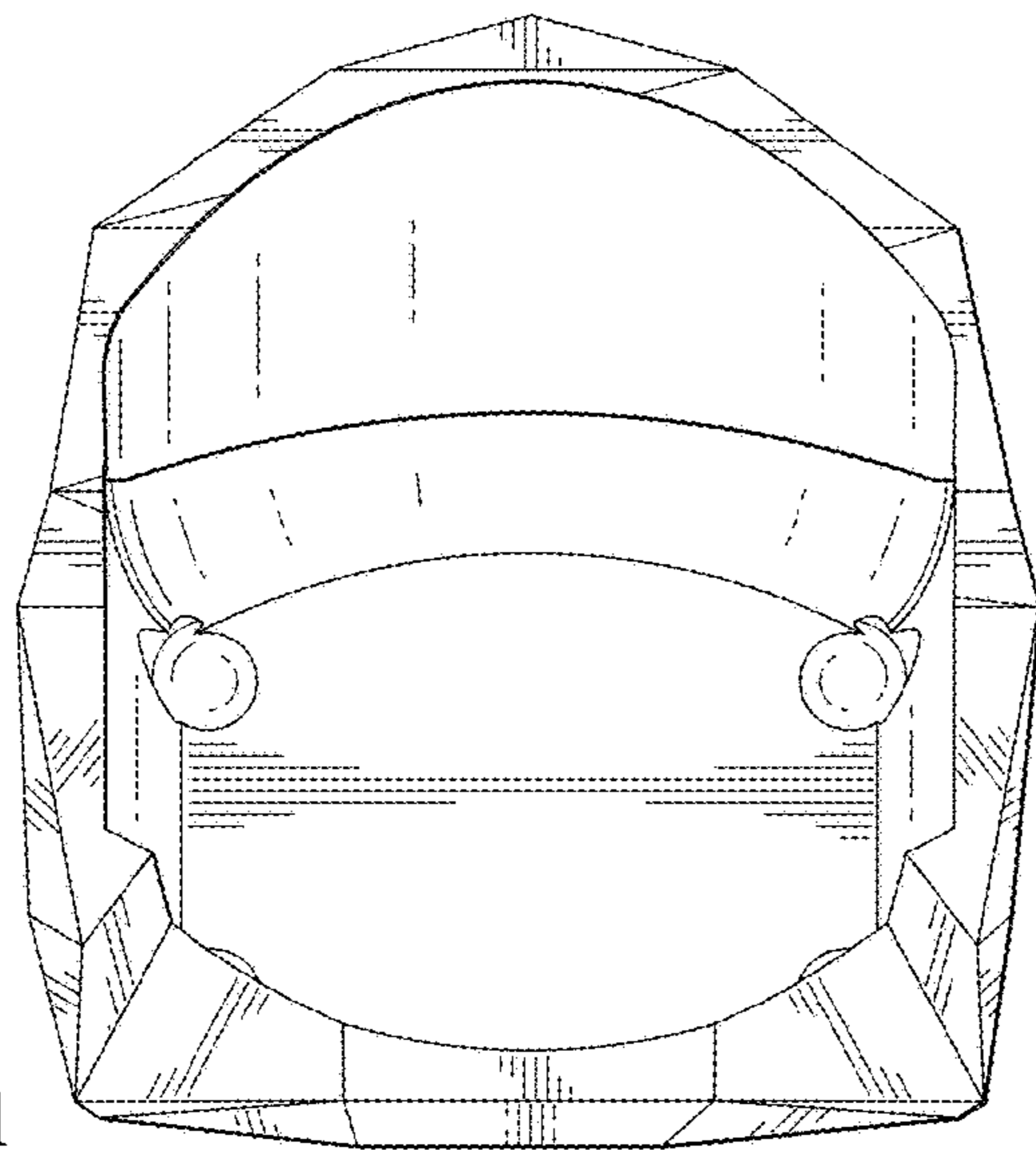


FIG. 11

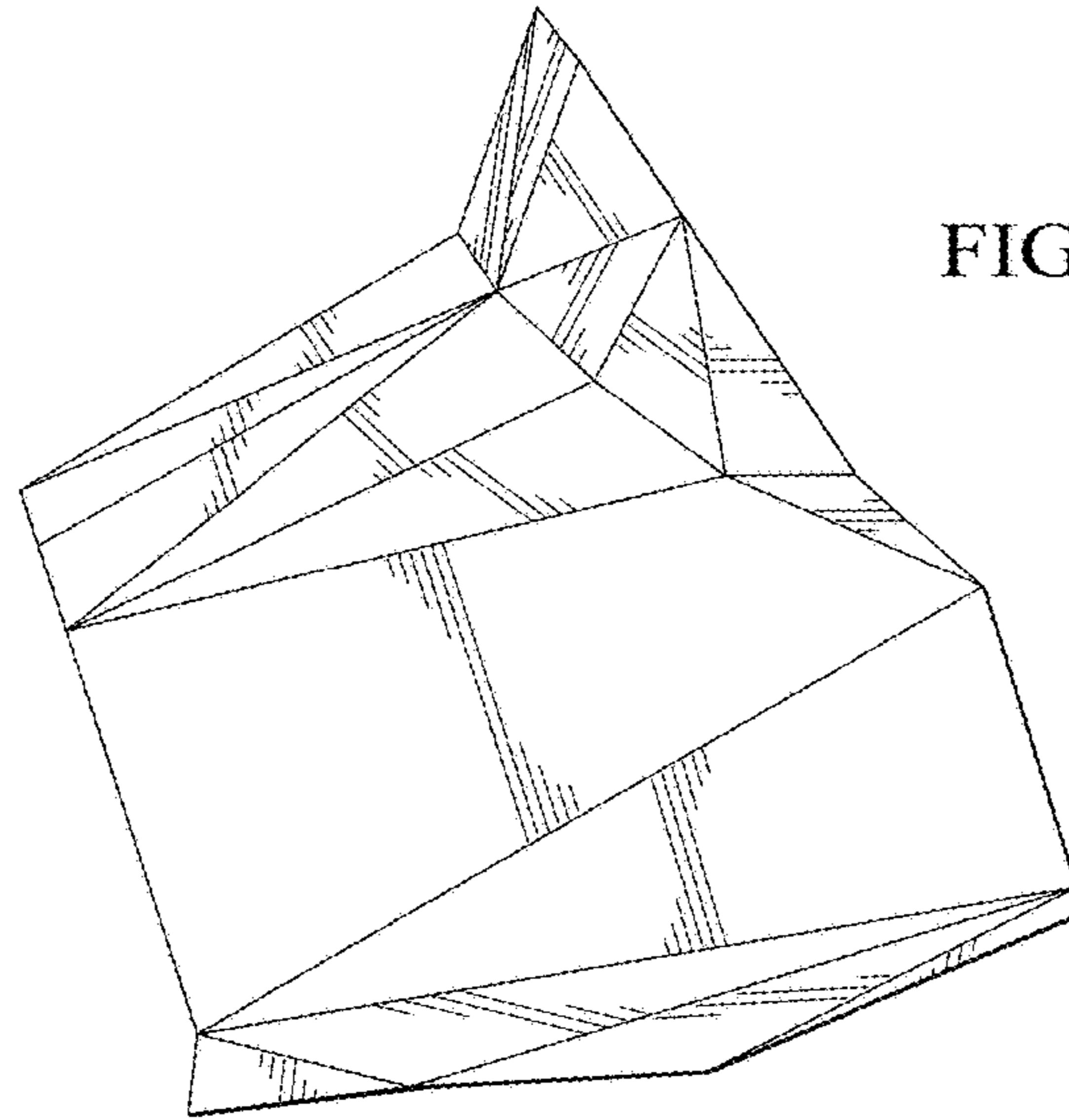


FIG. 12

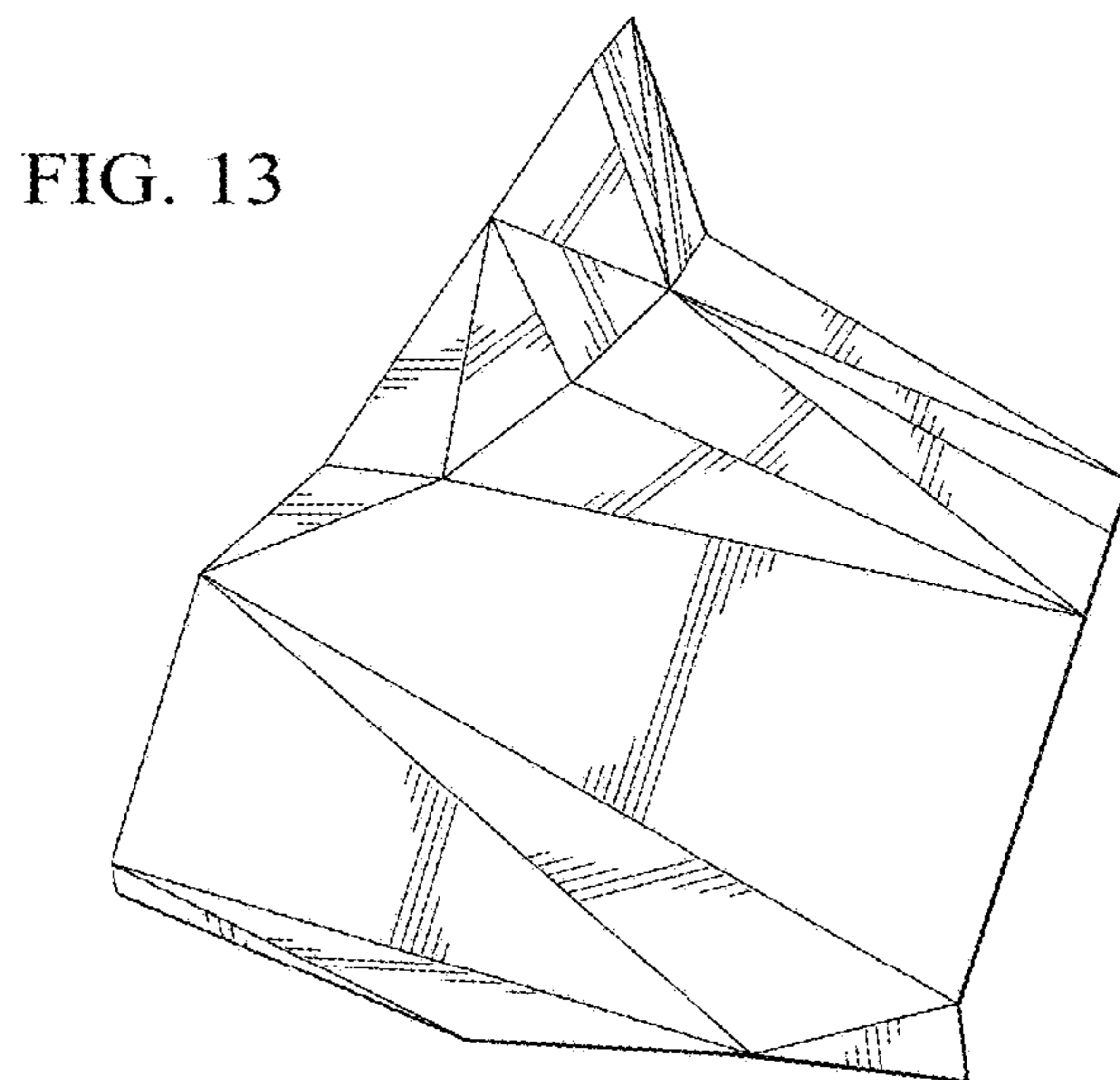


FIG. 13

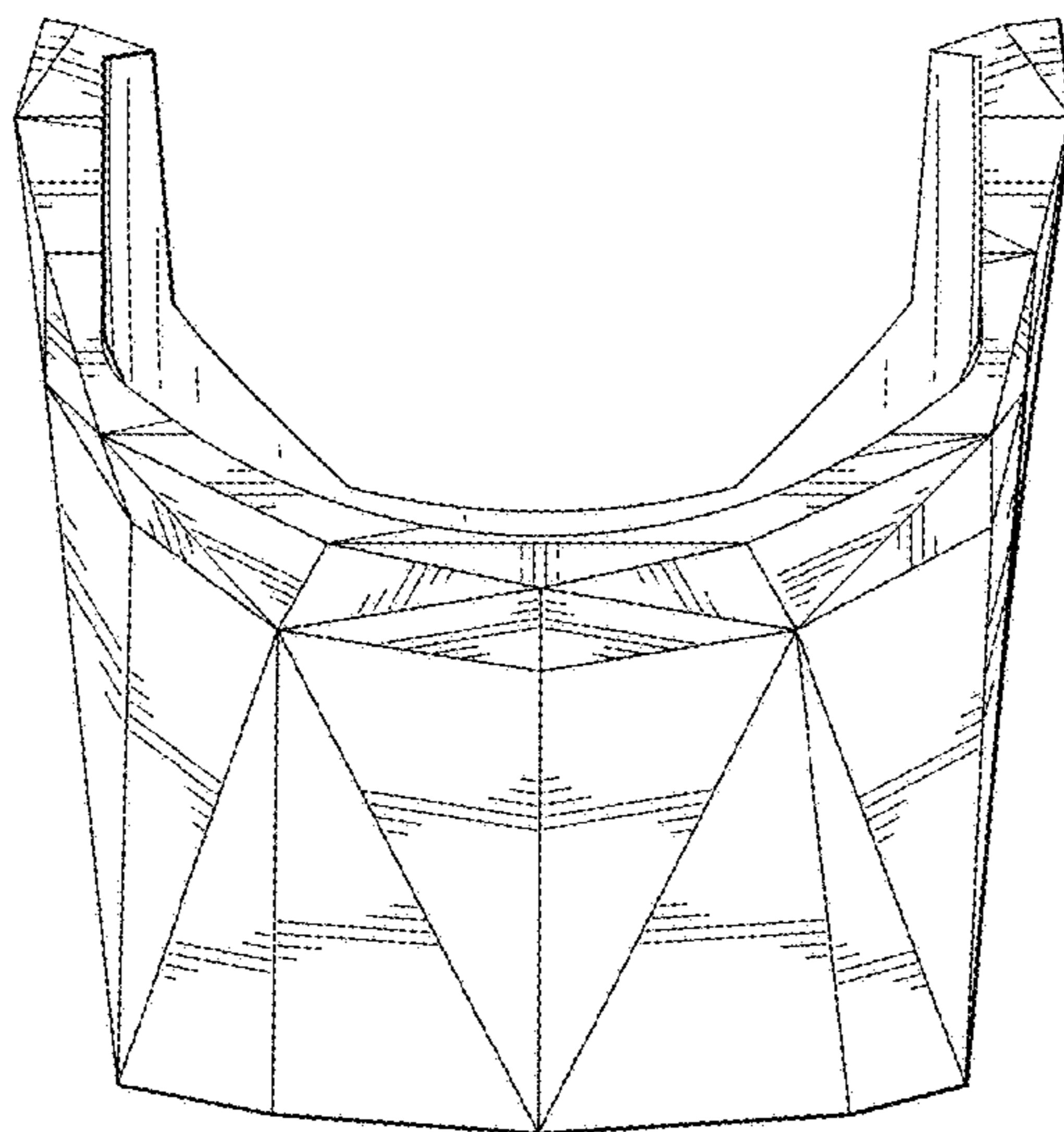


FIG. 14

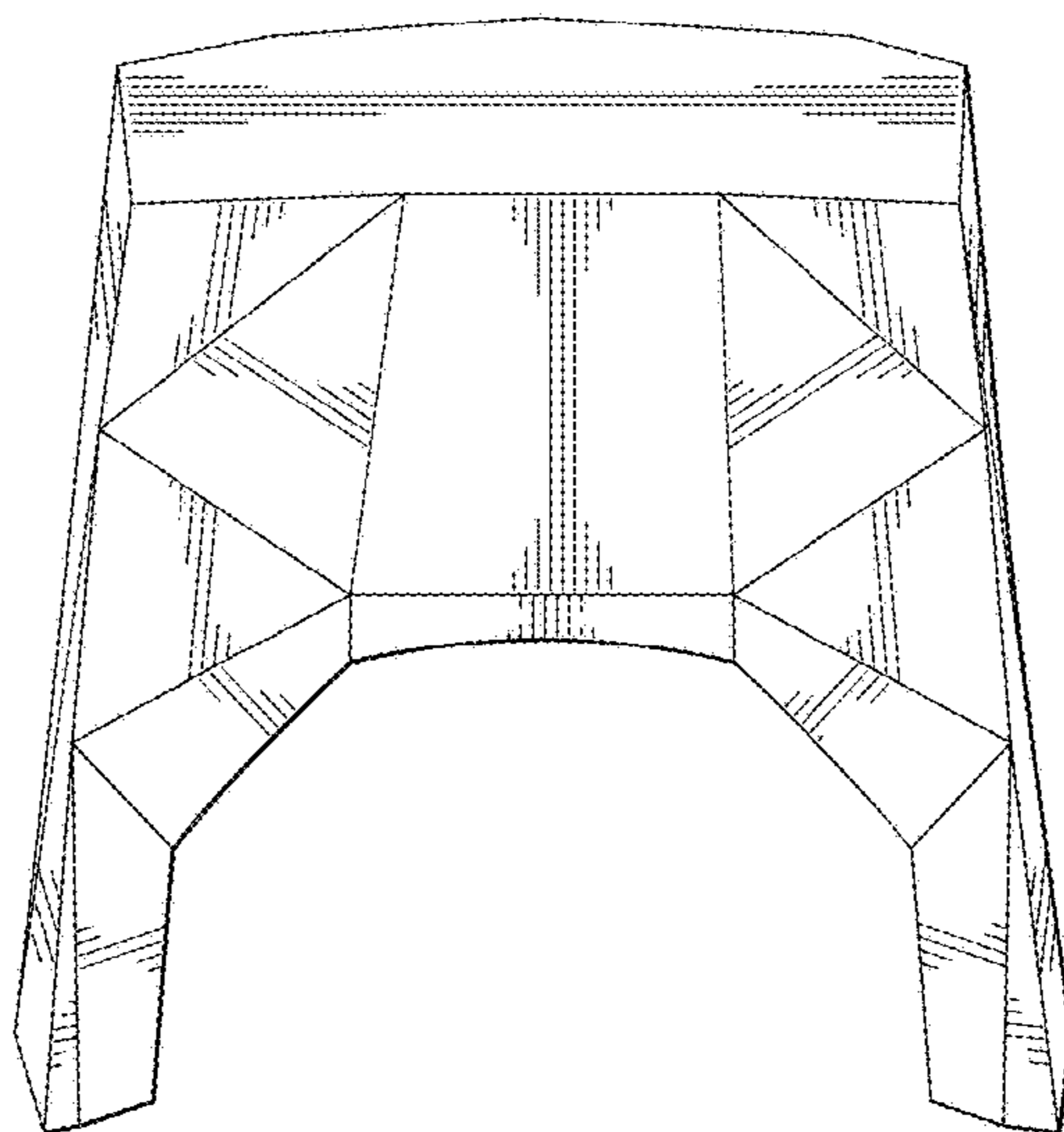


FIG. 15

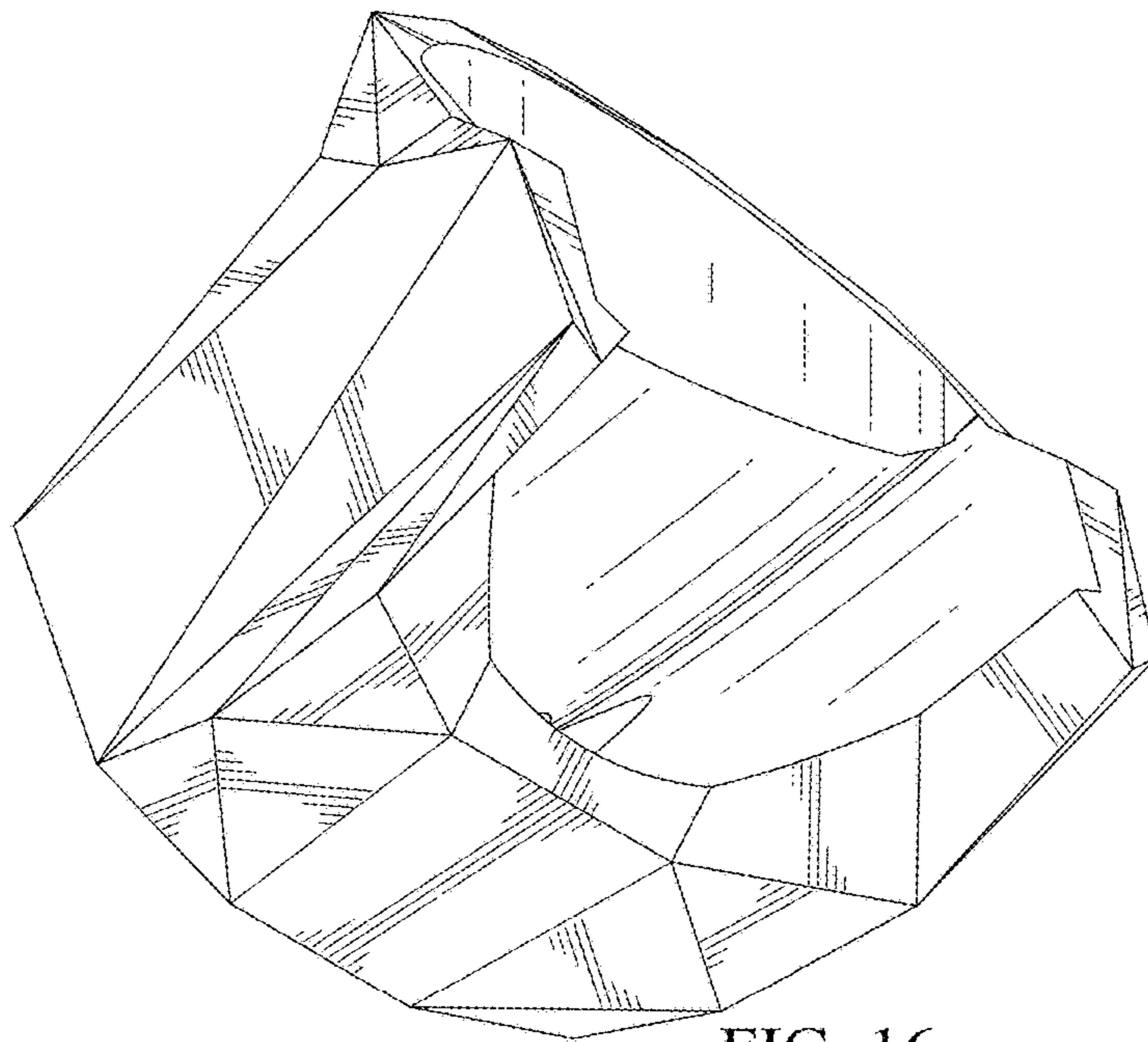


FIG. 16

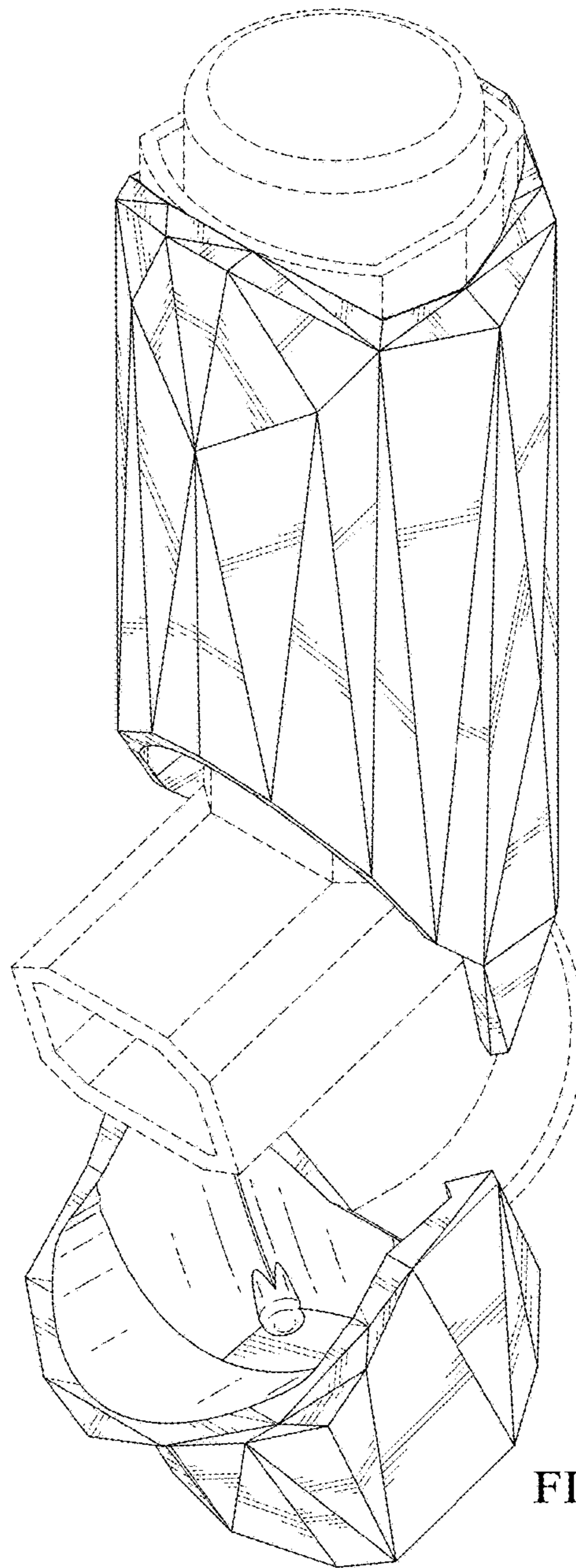


FIG. 17