

US00D856658S

(12) **United States Design Patent** (10) **Patent No.:** **US D856,658 S**  
**Betesh et al.** (45) **Date of Patent:** **\*\* Aug. 20, 2019**

(54) **POCKET FOR POWER BANK CHARGER**

(71) Applicant: **SME Consolidated Ltd**, Newark, NJ (US)

(72) Inventors: **Elliot Betesh**, Brooklyn, NY (US);  
**Alan Yampolsky**, New York, NY (US)

(73) Assignee: **SME Consolidated Ltd**, Newark, NJ (US)

(\*\*) Term: **15 Years**

(21) Appl. No.: **29/558,192**

(22) Filed: **Mar. 15, 2016**

(51) **LOC (12) Cl.** ..... **03-01**

(52) **U.S. Cl.**  
USPC ..... **D3/201**

(58) **Field of Classification Search**  
USPC ..... D3/201, 215, 226, 228, 230, 269, 273,  
D3/290, 299, 303, 318; D9/702, 703,  
D9/705, 707, 709, 710  
CPC ..... B65D 83/384; F41H 9/10  
See application file for complete search history.

(56) **References Cited**

**U.S. PATENT DOCUMENTS**

3,445,046 A \* 5/1969 Wilson ..... B65D 83/384  
222/175  
5,111,968 A \* 5/1992 Wilkerson ..... F41H 9/10  
222/175  
D501,311 S \* 2/2005 Passmore ..... D3/208  
D606,299 S \* 12/2009 Boomhour ..... D3/201

D620,258 S \* 7/2010 Fahrendorff ..... D3/299  
D666,410 S \* 9/2012 Phillips ..... D3/218  
D694,013 S \* 11/2013 Hyzdu ..... D3/303  
D731,781 S \* 6/2015 Behar ..... D3/201  
D794,943 S \* 8/2017 Schlang ..... D3/201

\* cited by examiner

*Primary Examiner* — Holly E Thurman

(74) *Attorney, Agent, or Firm* — Gabriel & Pelaez, PLLC;  
Michael G. Gabriel

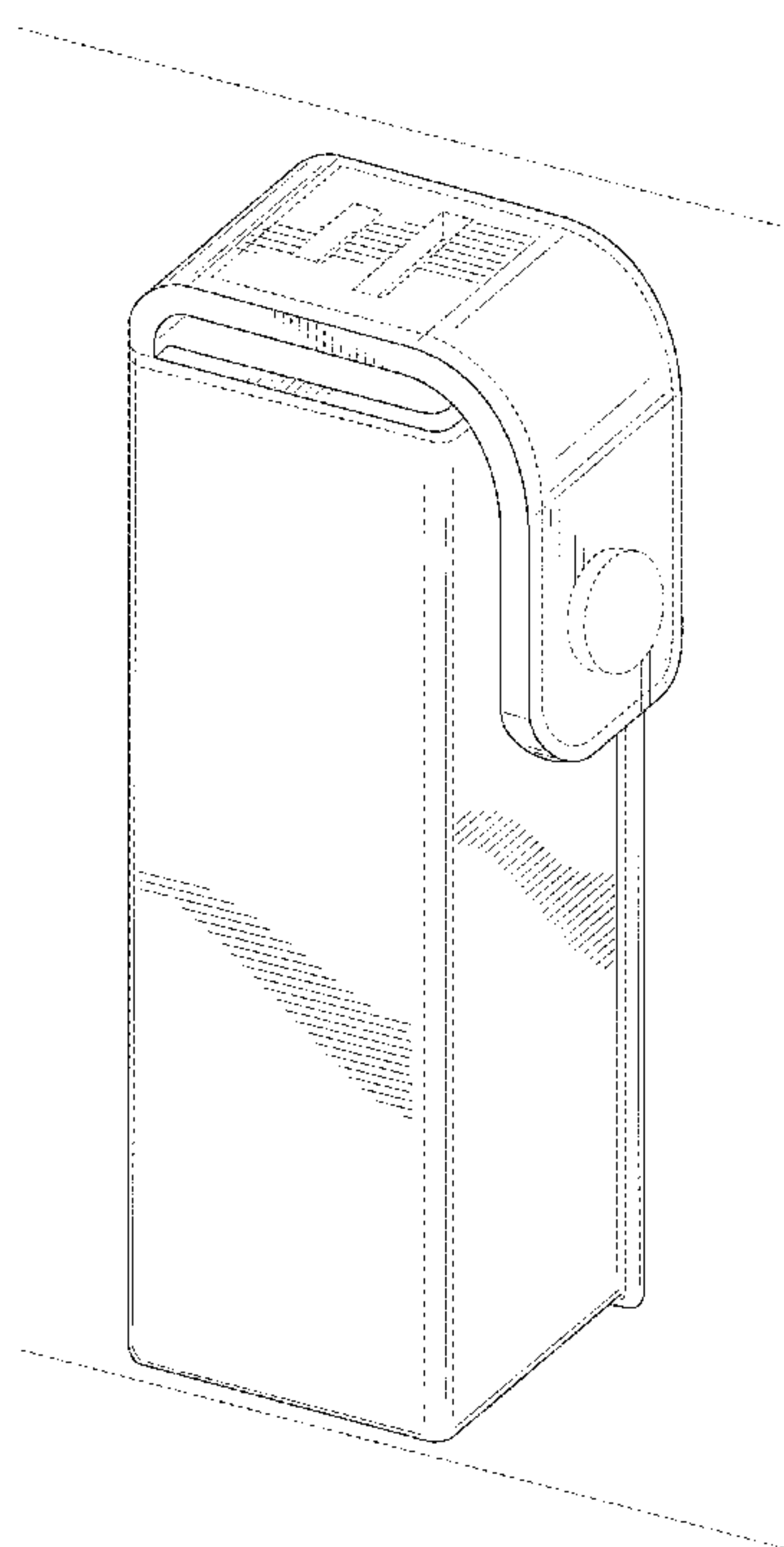
(57) **CLAIM**

The ornamental design for a pocket for power bank charger, as shown.

**DESCRIPTION**

FIG. 1 is a perspective view of the pocket for power bank charger of the present invention shown attached to an unclaimed surface;  
FIG. 2 is a front view thereof shown attached to an unclaimed surface;  
FIG. 3 is a right side view thereof shown attached to an unclaimed surface;  
FIG. 4 is a left side view thereof shown attached to an unclaimed surface;  
FIG. 5 is a top view thereof shown attached to an unclaimed surface;  
FIG. 6 is a bottom view thereof shown attached to an unclaimed surface; and,  
FIG. 7 is another perspective view thereof shown attached to an unclaimed surface.  
In the drawings, all broken lines illustrate environment and form no part of the claimed design.

**1 Claim, 6 Drawing Sheets**



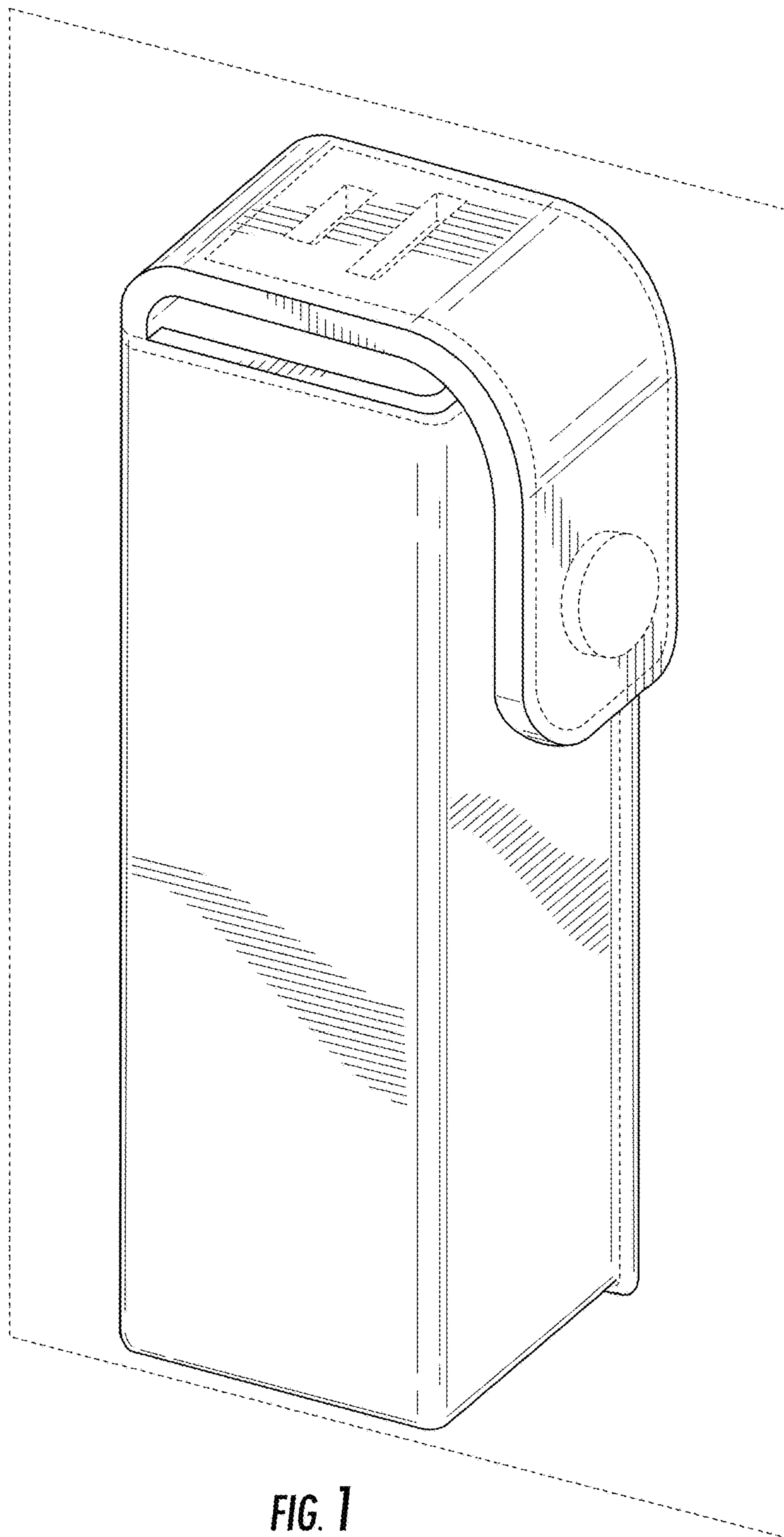


FIG. 1

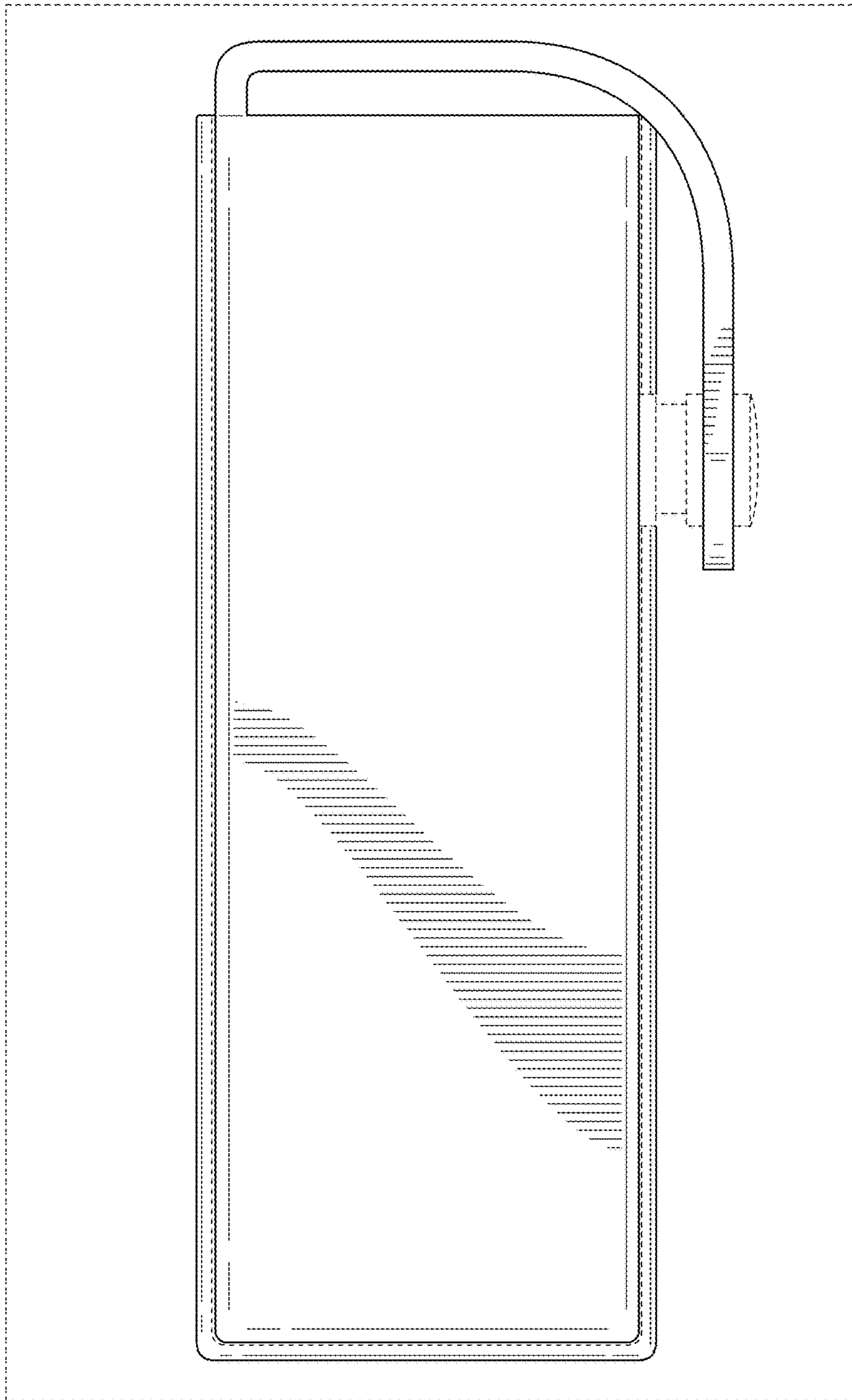


FIG. 2

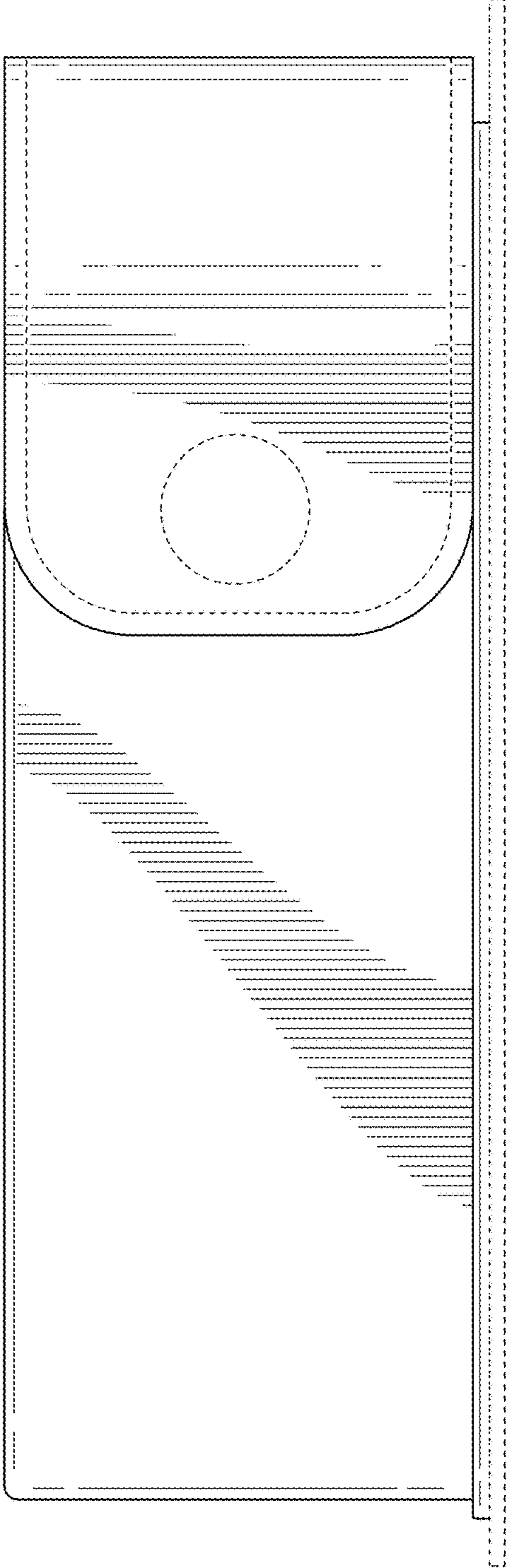


FIG. 3

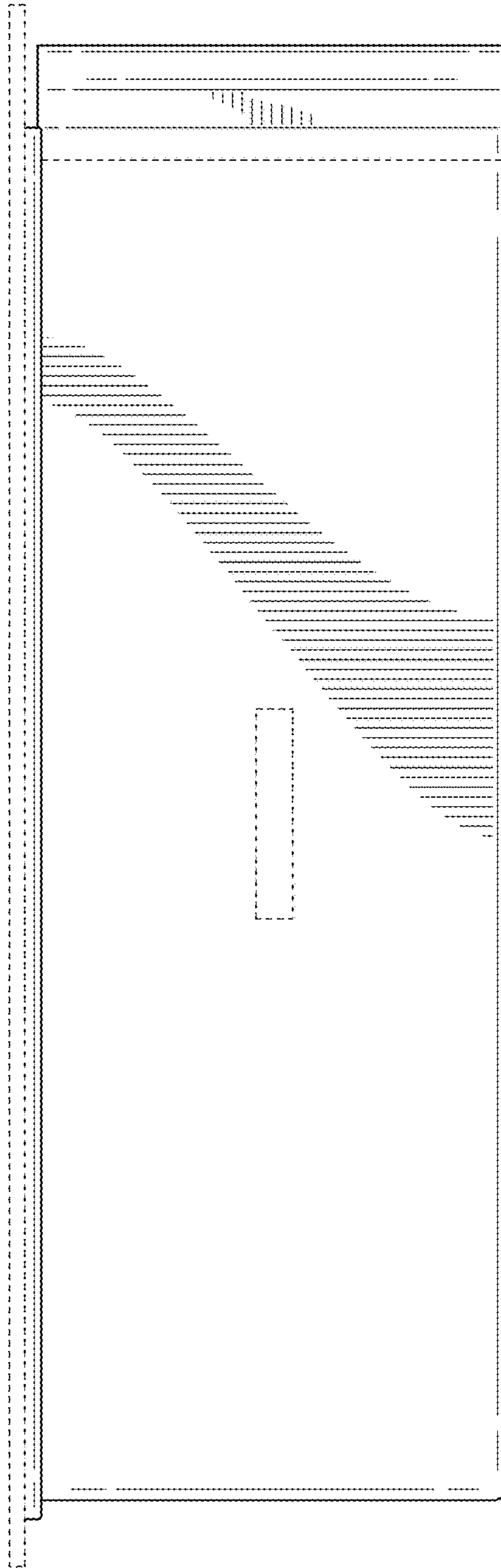


FIG. 4



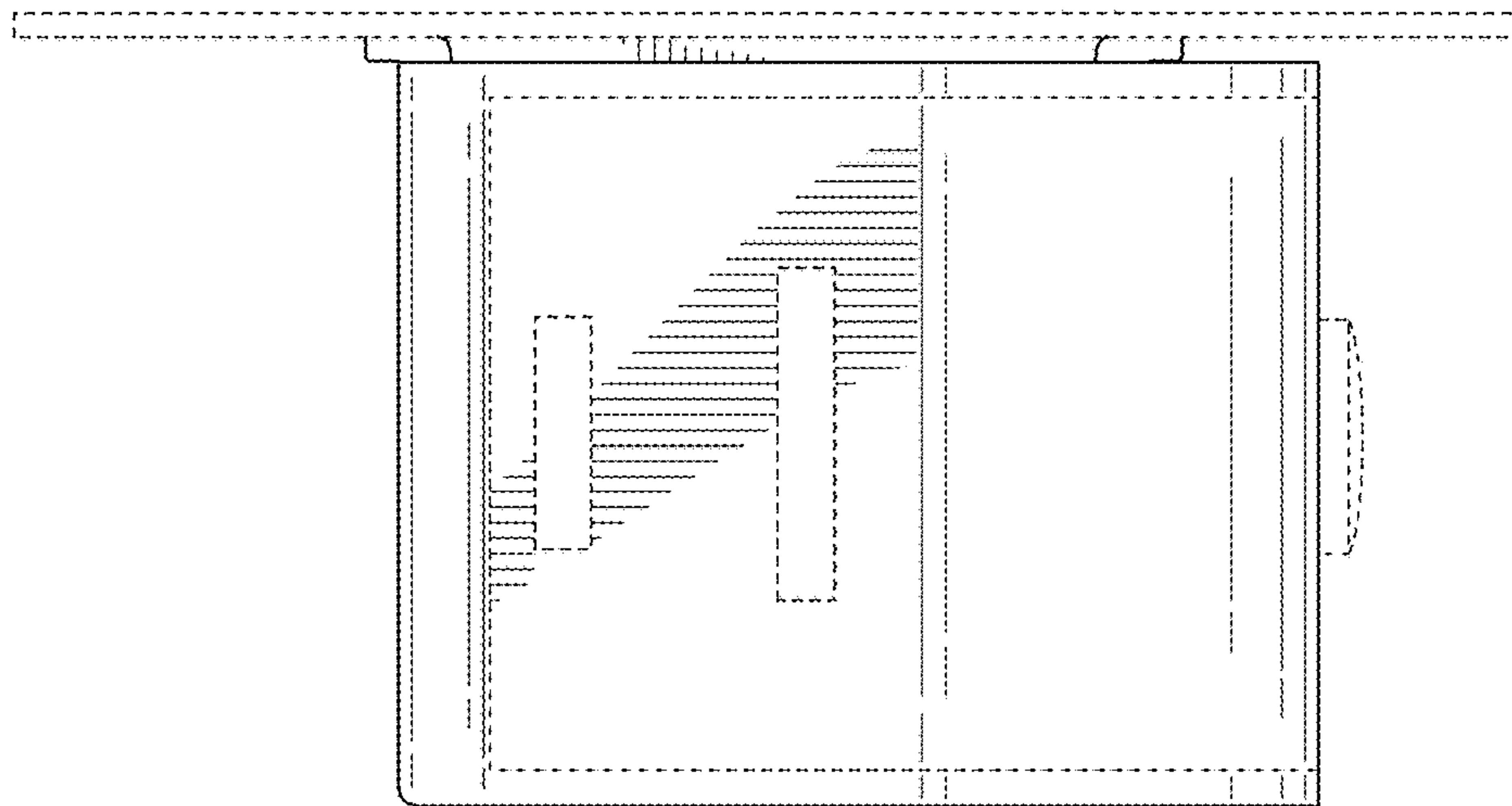


FIG. 5

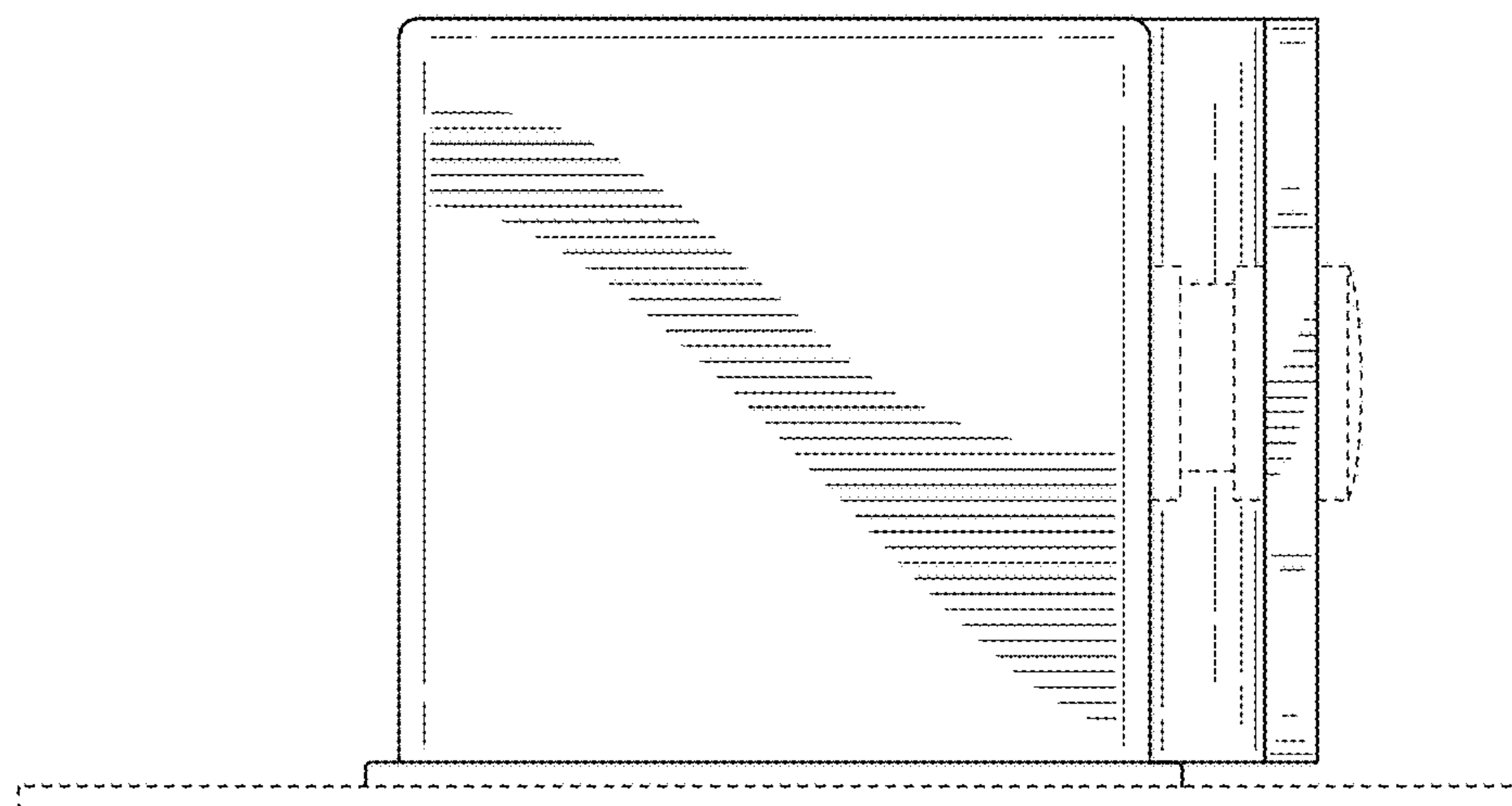


FIG. 6

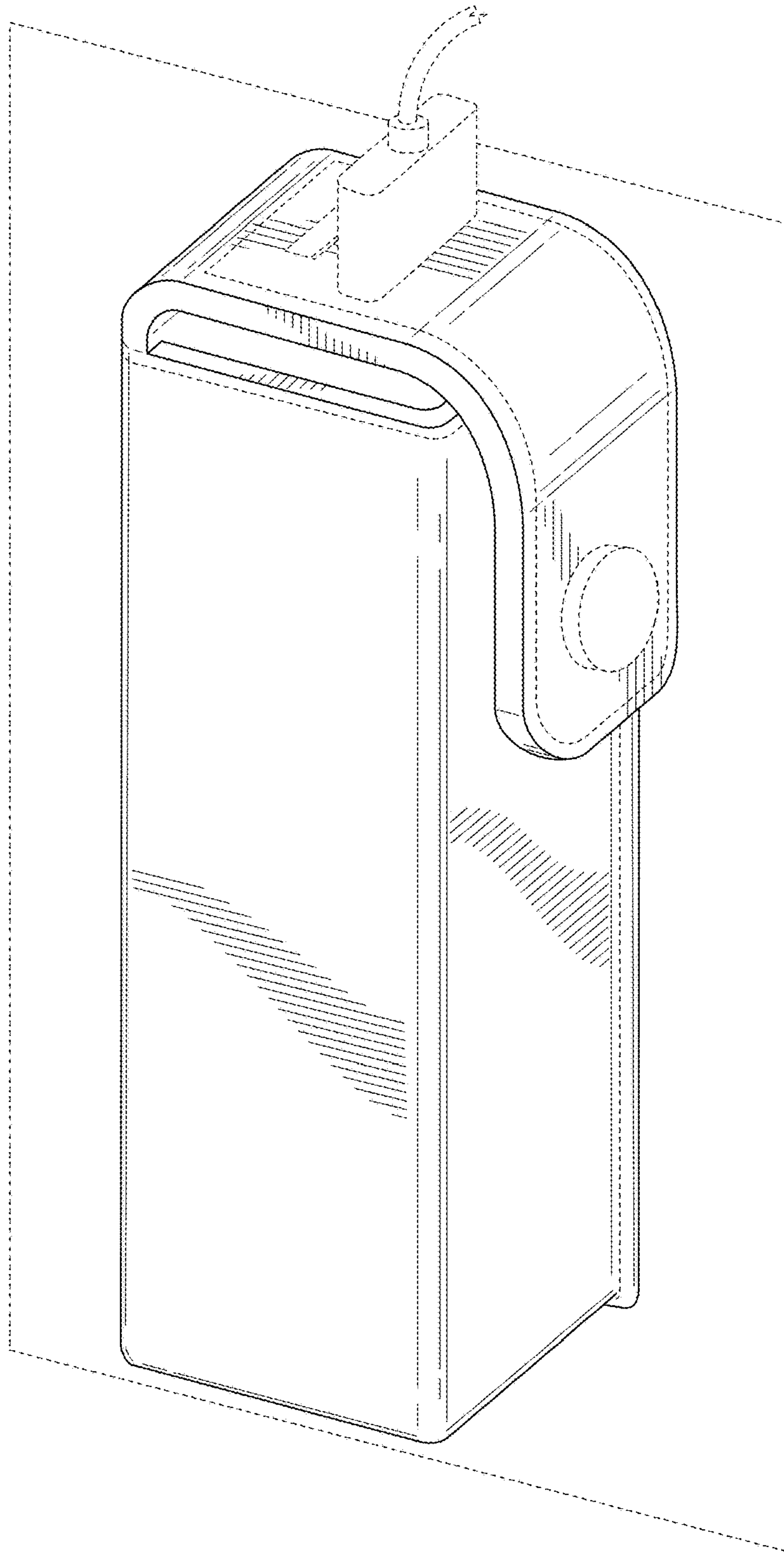


FIG. 7