



US00D856643S

(12) **United States Design Patent** (10) **Patent No.:** **US D856,643 S**
Liu (45) **Date of Patent:** **** Aug. 20, 2019**

(54) **HEEL WEDGE**

(71) Applicant: **Xinchuan Liu**, Glen Allen, VA (US)

(72) Inventor: **Xinchuan Liu**, Glen Allen, VA (US)

(**) Term: **15 Years**

(21) Appl. No.: **29/617,974**

(22) Filed: **Sep. 18, 2017**

(51) **LOC (12) Cl.** **02-04**

(52) **U.S. Cl.**
USPC **D2/927**

(58) **Field of Classification Search**
USPC D2/897, 927, 946, 947, 950, 965, 966;
36/11.5, 34 R
CPC A43B 21/24; A43B 23/227
See application file for complete search history.

(56) **References Cited**

U.S. PATENT DOCUMENTS

D121,671 S *	7/1940	Cocozella	36/34 R
D178,809 S *	9/1956	Santisi	D2/897
D255,618 S *	7/1980	Artstein	D2/950
4,245,407 A *	1/1981	Mazabras	A43B 23/227 36/11.5
D415,338 S *	10/1999	Phillips	D2/927
D563,638 S *	3/2008	Guers-Neyrud	D2/965
D597,285 S *	8/2009	Ringholz	D2/927
D631,647 S *	2/2011	Hipshman	
D632,469 S *	2/2011	Guers-Neyraud	D2/965
D666,403 S *	9/2012	Finnegan	D2/966
D675,813 S *	2/2013	Hayashi	D2/947
D768,972 S *	10/2016	Gadson	D2/946
9,491,986 B1 *	11/2016	Dixon	A43B 21/24

FOREIGN PATENT DOCUMENTS

CN 302537989 * 8/2013

OTHER PUBLICATIONS

Hasting Heeled Wedges posted by ASOS Design posted date unknown, © ASOS, [online], [site visited Apr. 18, 2019]. Available from Internet, <https://us.asos.com/asos-design/asos-design-hastings-clear-heeled-wedges-in-black> (Year: 2019).*
Fashion Wedges posted by Coolcept posted date Jul. 26, 2016, © Coolcept, [online], [site visited Apr. 18, 2019]. Available from Internet, <https://www.amazon.com/COOLCEPT-Women-Fashion-Wedges-Slingback> (Year: 2016).*

* cited by examiner

Primary Examiner — Cynthia Ramirez
Assistant Examiner — Laura H Yu

(57) **CLAIM**

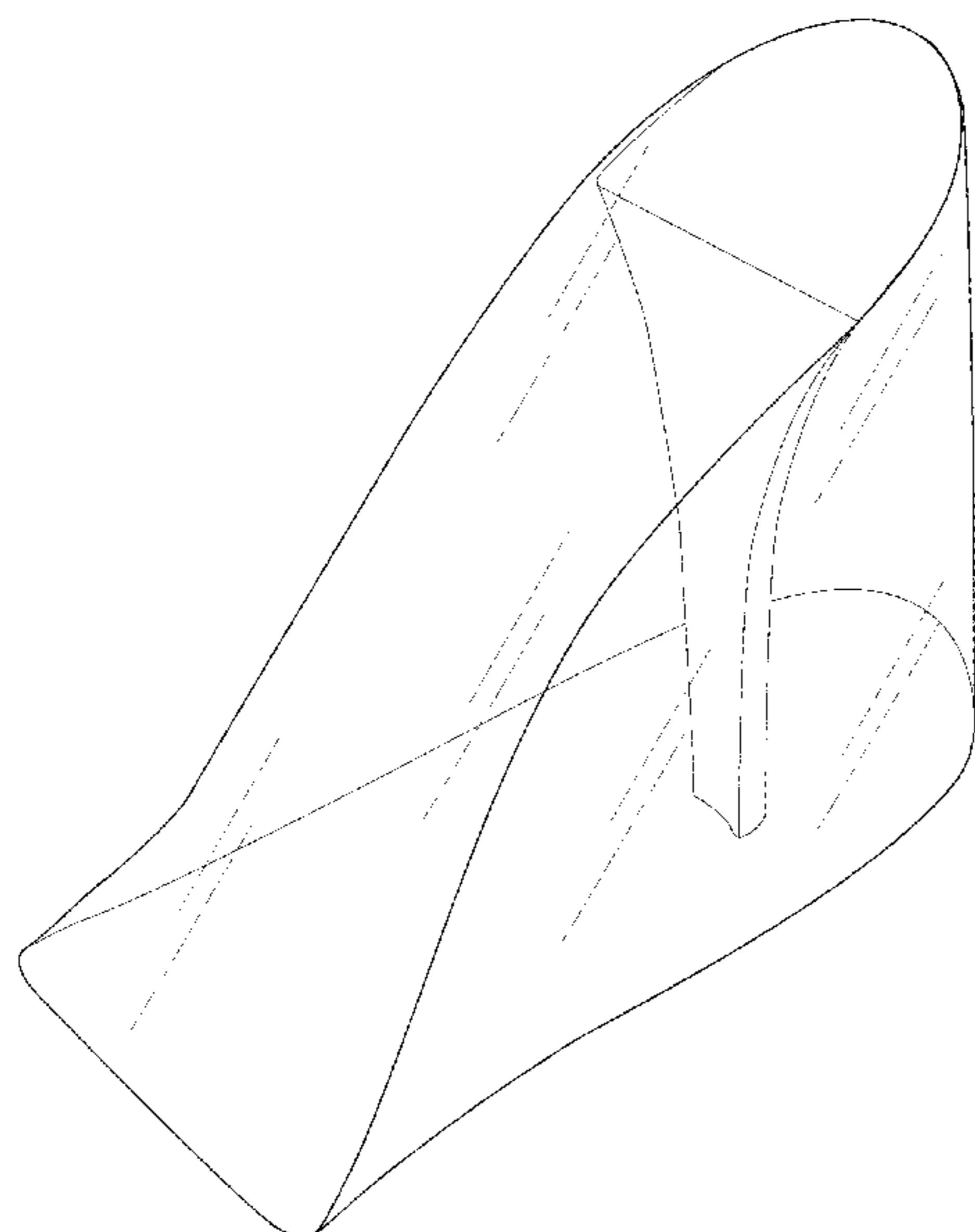
The ornamental design for a heel wedge, as shown and described.

DESCRIPTION

FIG. 1 is a perspective view of a heel wedge showing my new design;
FIG. 2 is a front elevational view thereof;
FIG. 3 is a right side elevational view thereof;
FIG. 4 is a rear elevational view thereof;
FIG. 5 is a left side elevational view thereof;
FIG. 6 is a top plan view thereof;
FIG. 7 is a bottom plan view thereof;
FIG. 8 is a perspective view of the heel wedge in use; and,
FIG. 9 is a right side elevational view of the heel wedge in use, thereof.

The broken line showing of a shoe is included for the purpose of illustrating environmental structure and forms no part of the claimed design.

1 Claim, 9 Drawing Sheets



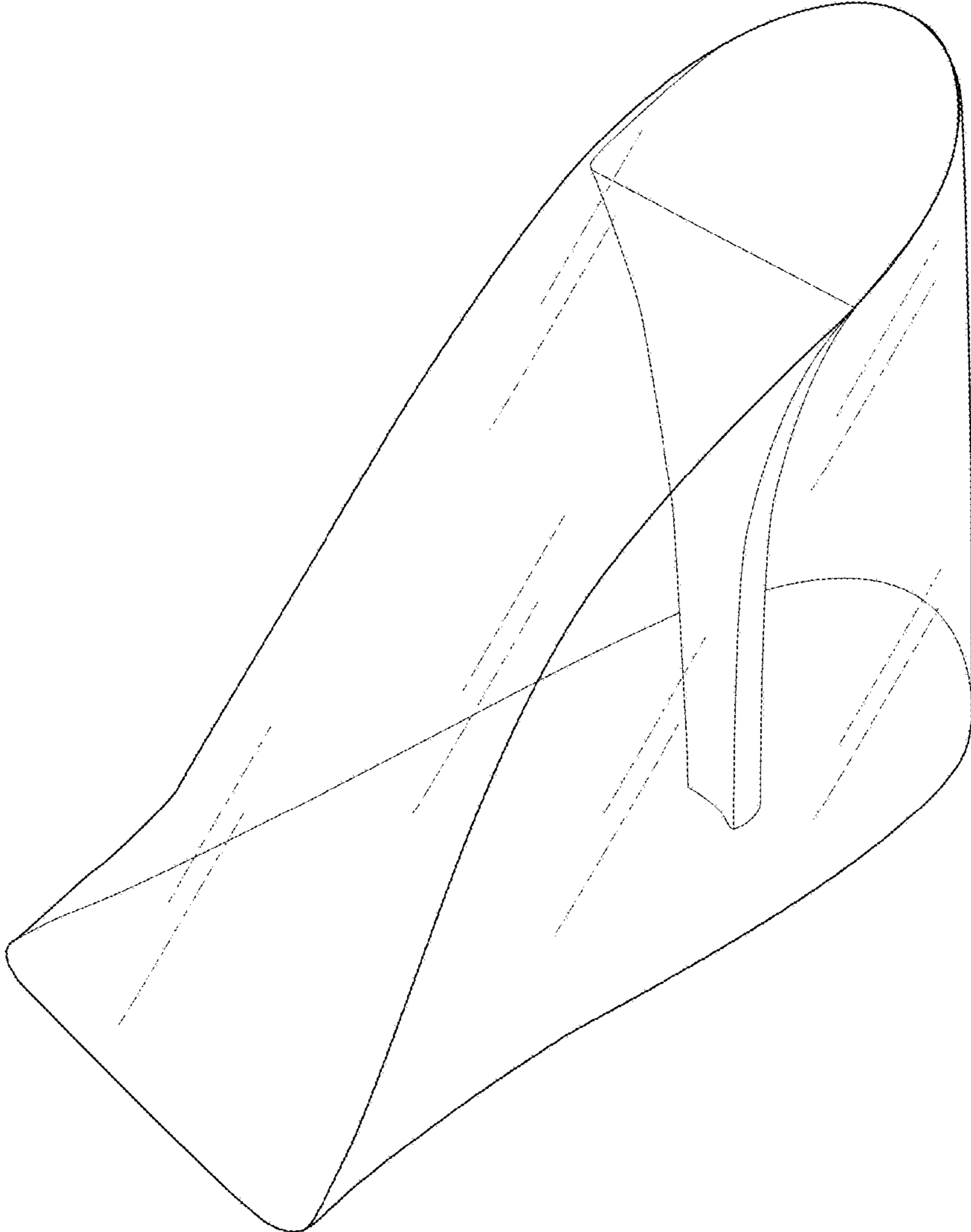


FIG. 1

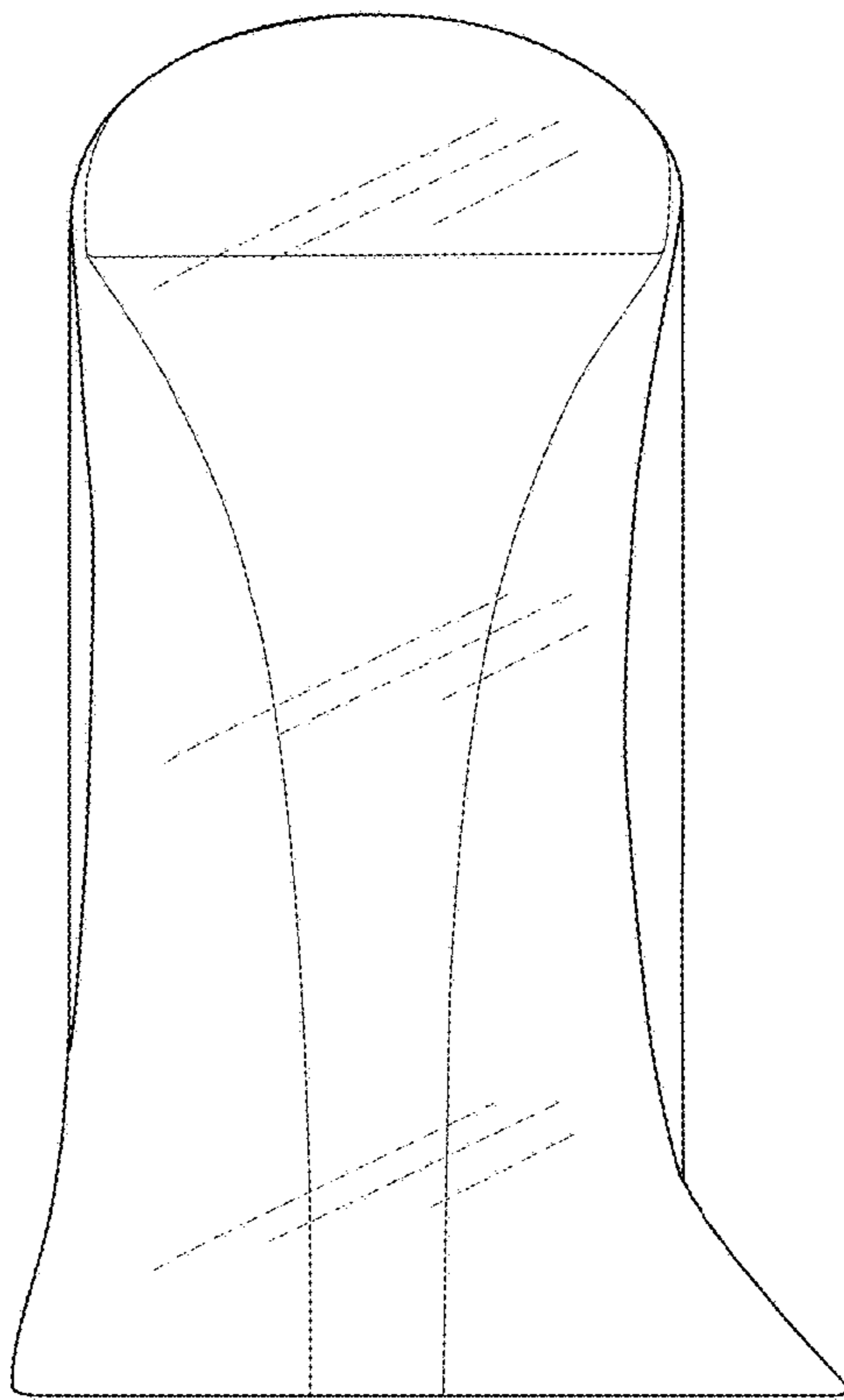


FIG. 2

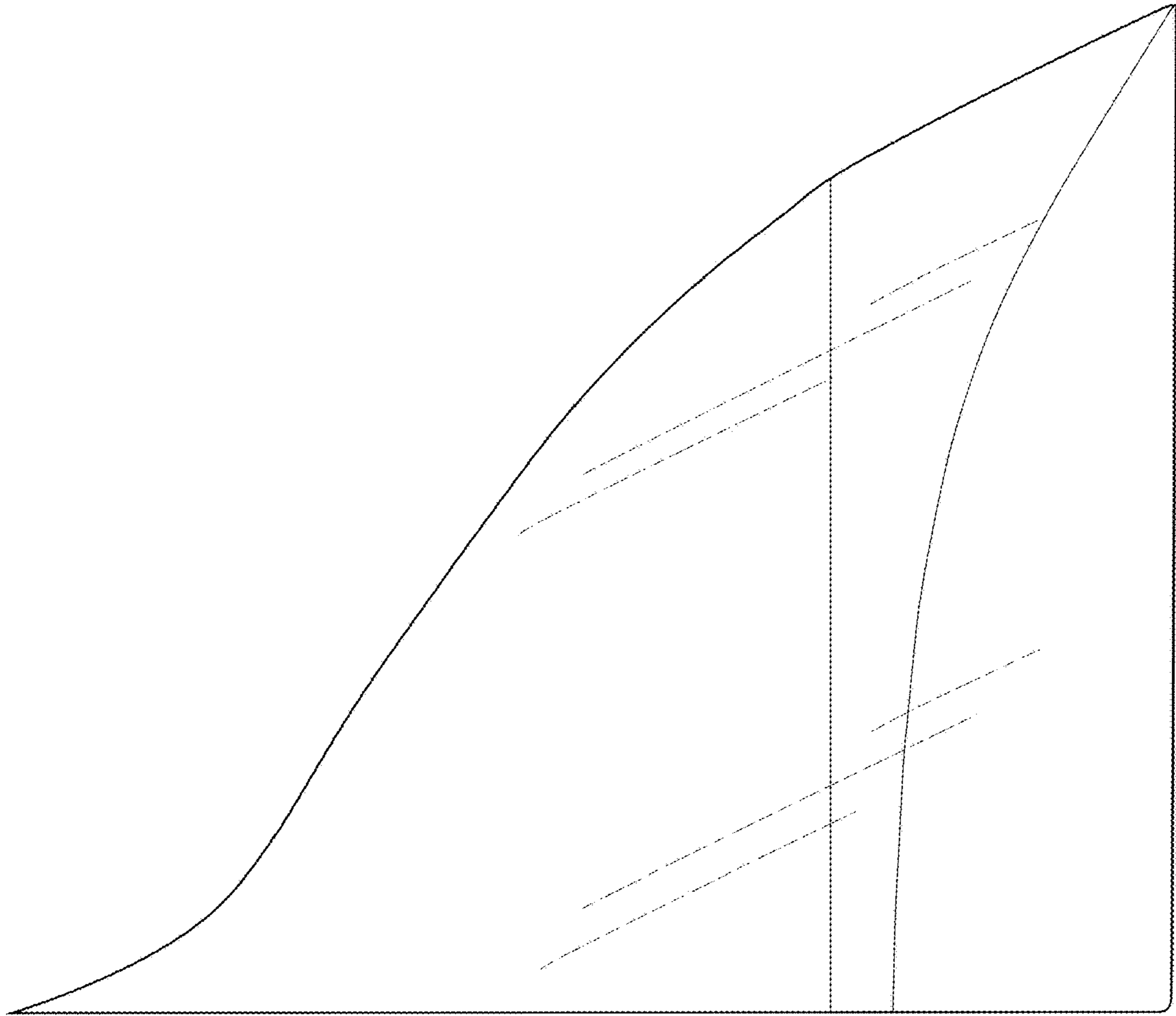


FIG. 3

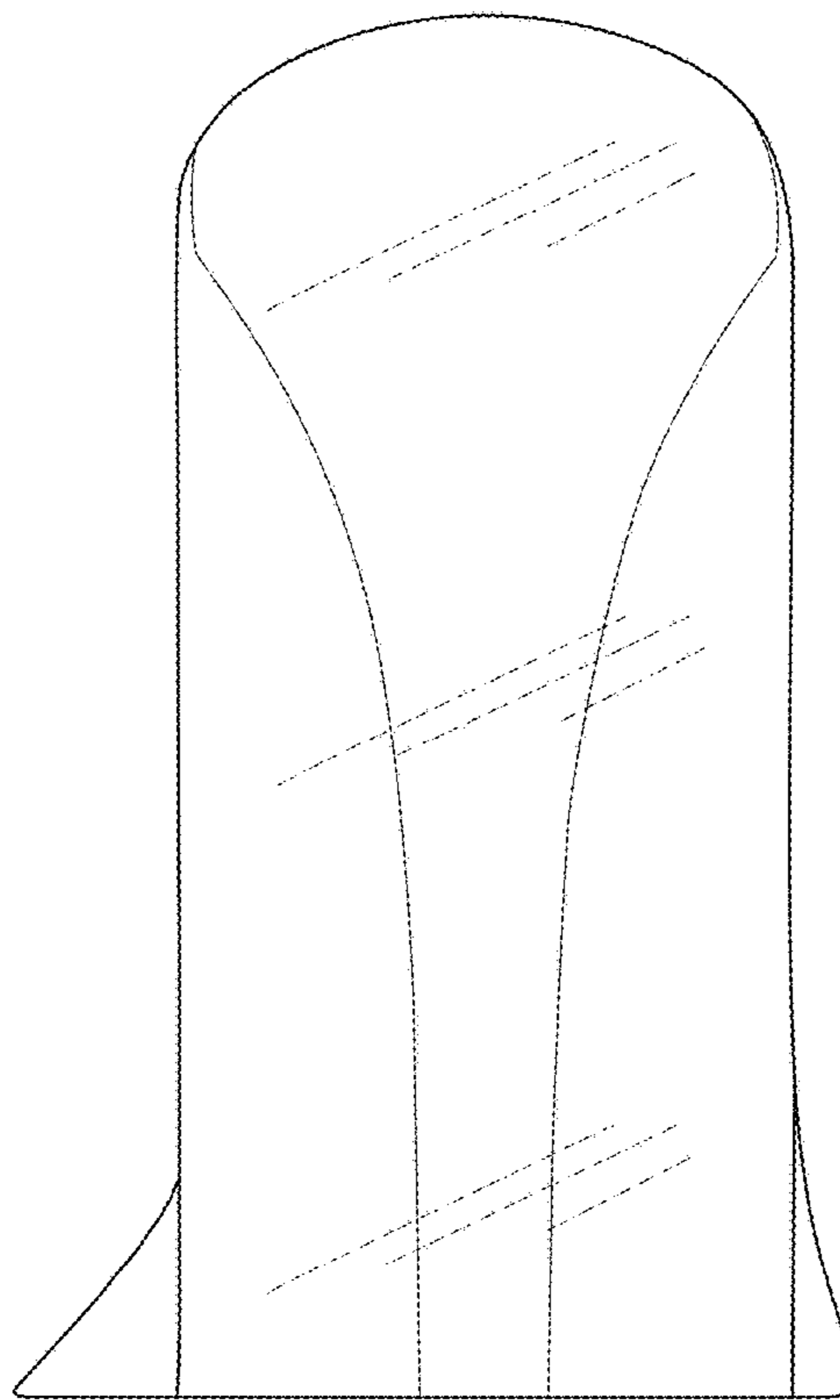


FIG. 4

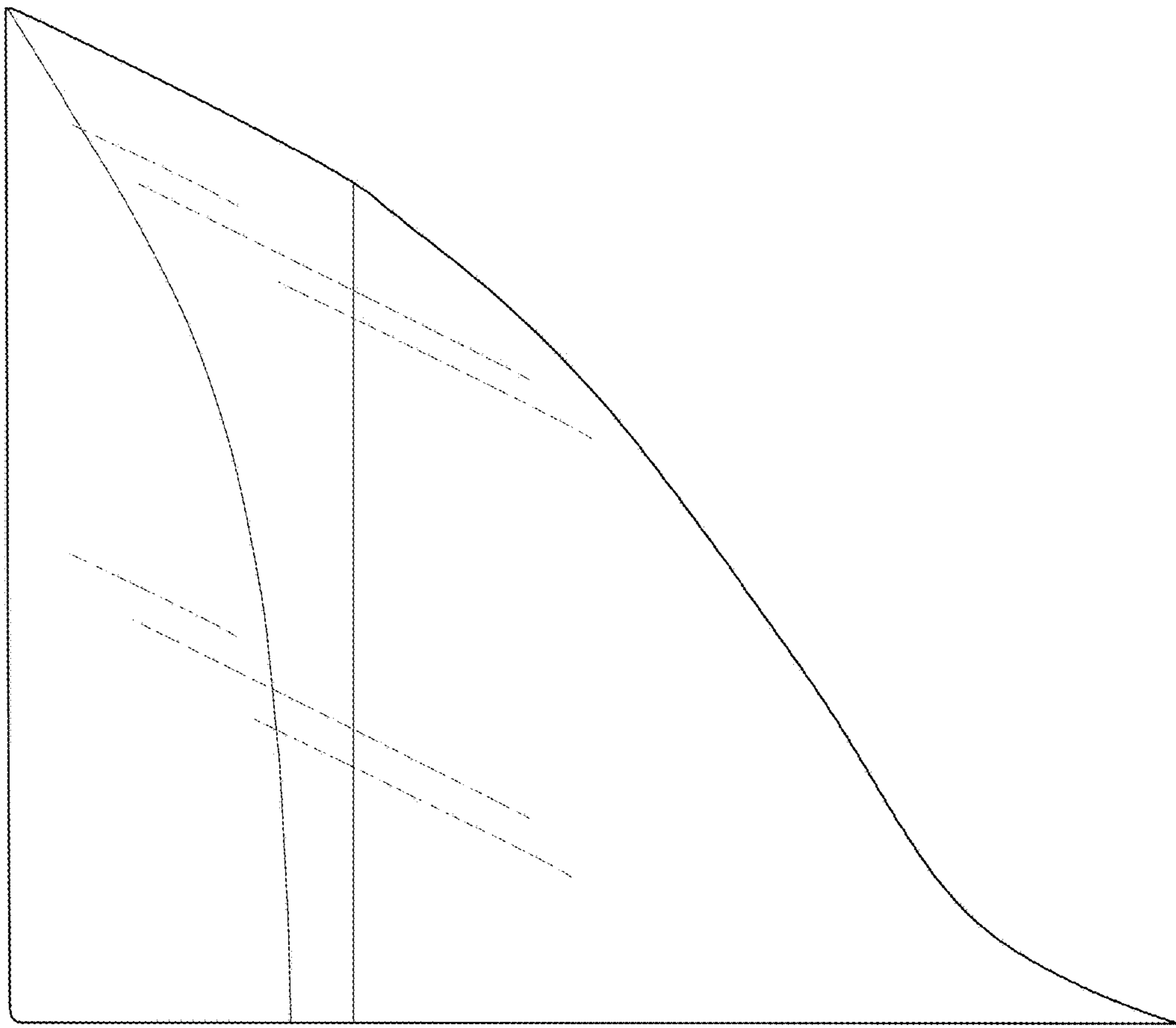


FIG. 5

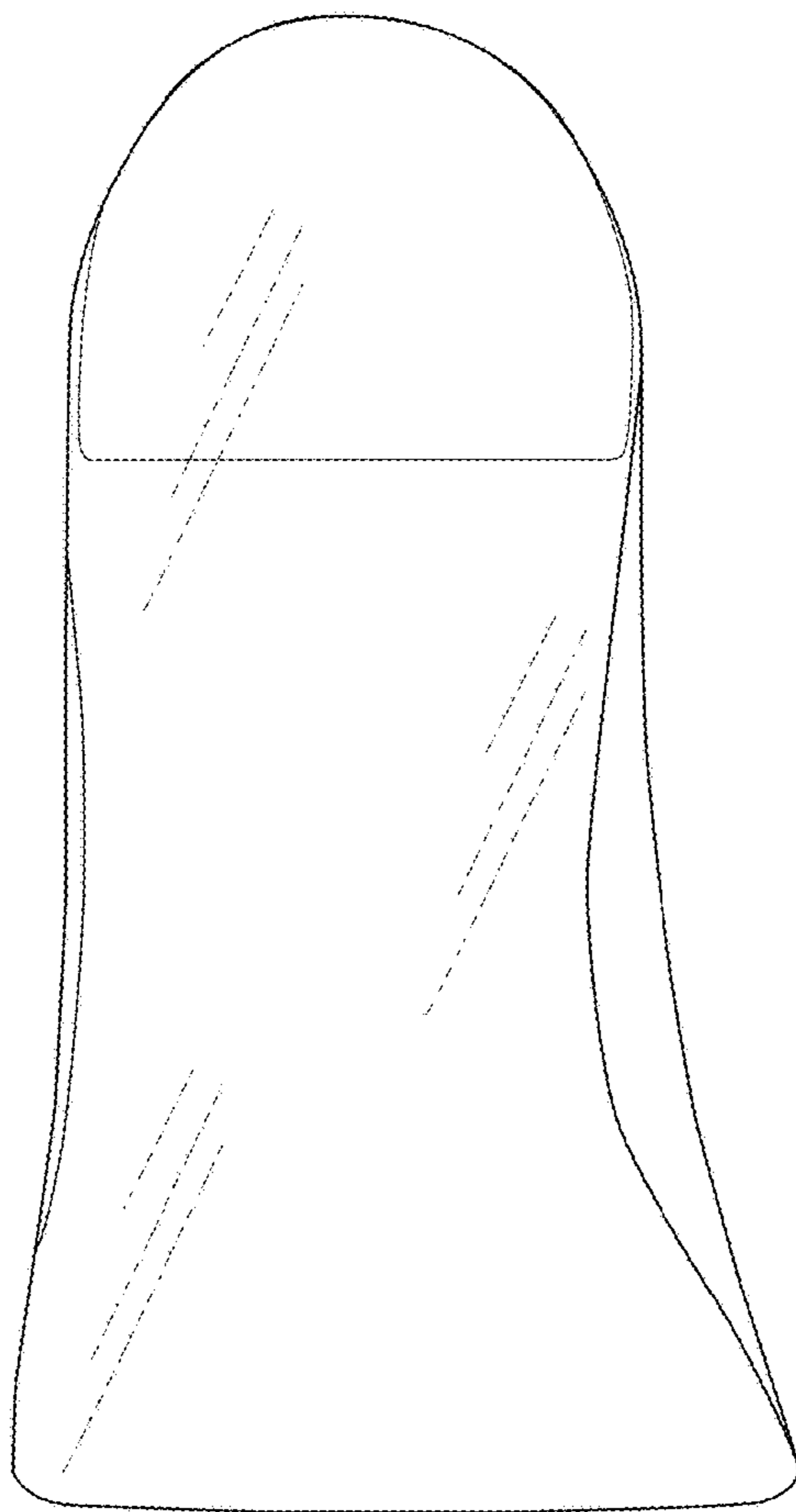


FIG. 6

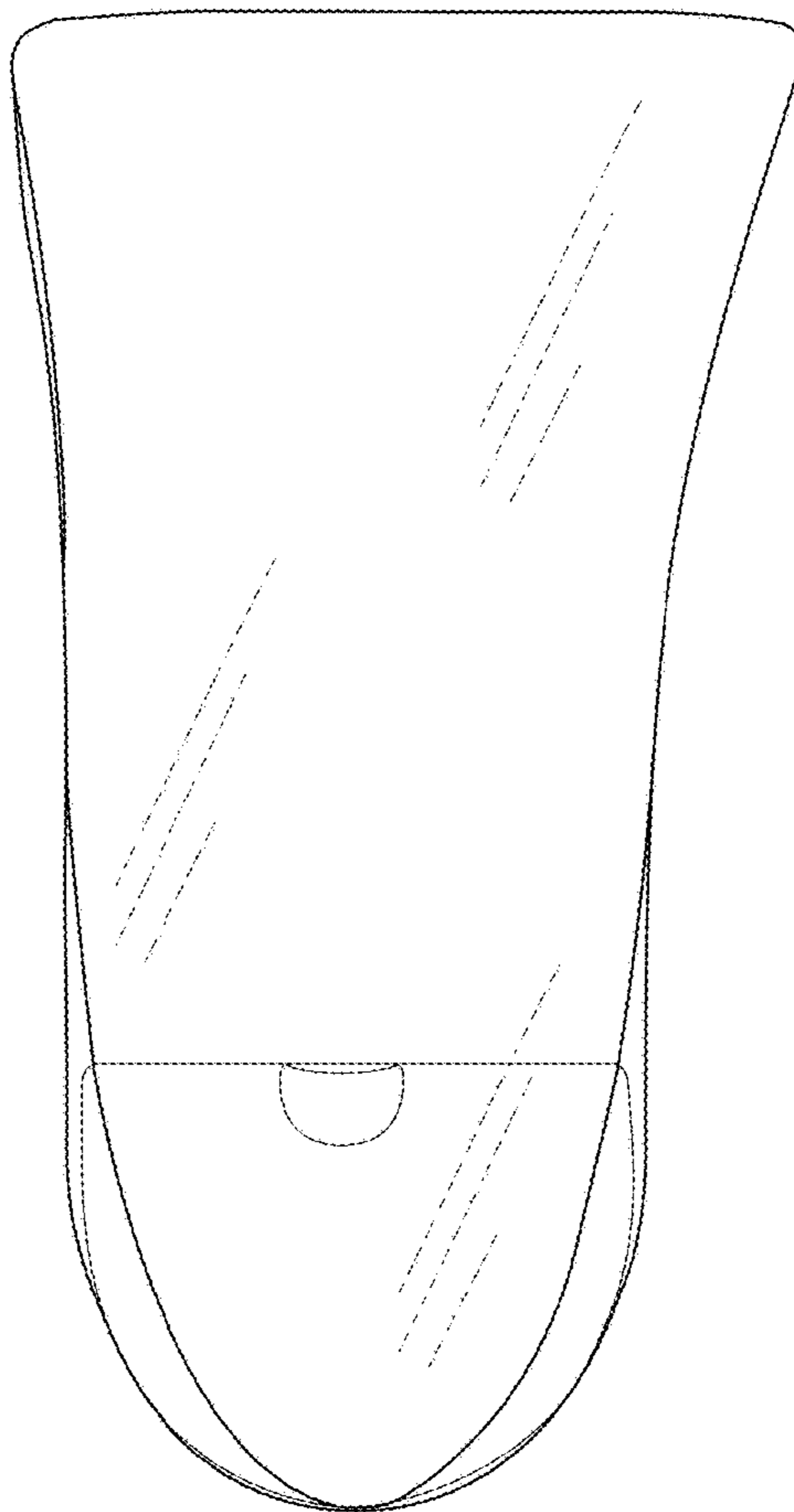


FIG. 7



FIG. 8

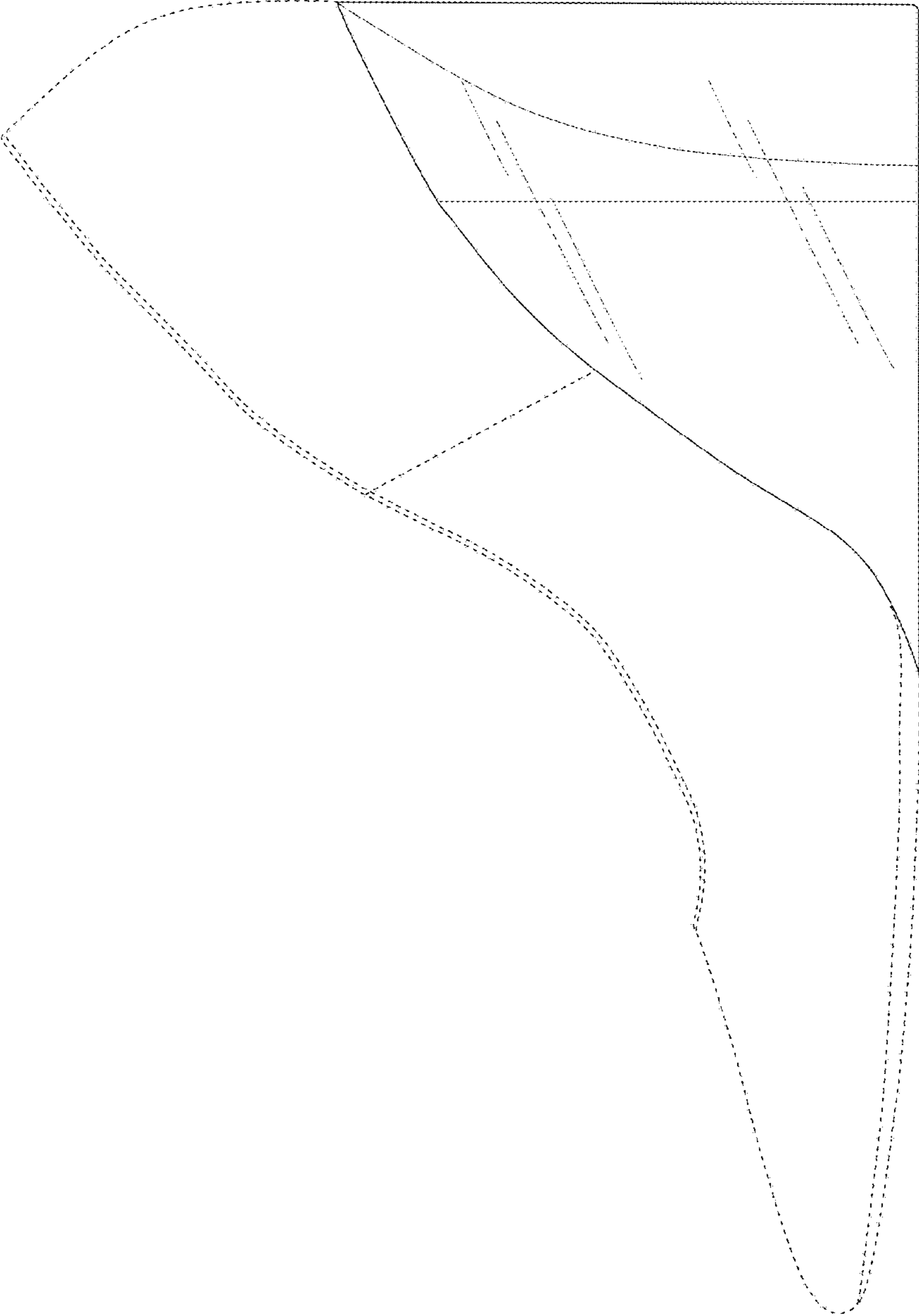


FIG. 9