



US00D856642S

(12) **United States Design Patent**  
**Abadjian**

(10) **Patent No.:** **US D856,642 S**

(45) **Date of Patent:** **\*\* Aug. 20, 2019**

(54) **FOOTWEAR**

(71) Applicant: **Crocs, Inc.**, Niwot, CO (US)

(72) Inventor: **Joseph Abadjian**, Longmont, CO (US)

(73) Assignee: **CROCS, INC.**, Niwot, CO (US)

(\*\*) Term: **15 Years**

(21) Appl. No.: **29/590,088**

(22) Filed: **Jan. 6, 2017**

(51) **LOC (12) Cl.** ..... **02-04**

(52) **U.S. Cl.**  
USPC ..... **D2/923**; D2/916

(58) **Field of Classification Search**  
USPC ..... D2/916, 917, 923, 943, 946-96, 969,  
D2/972, 976, 896-900  
CPC .... A43B 1/10; A43B 3/12; A43B 3/10; A43B  
17/18; A43B 1/12  
See application file for complete search history.

(56) **References Cited**

**U.S. PATENT DOCUMENTS**

D517,789 S	3/2006	Seamans	
D529,263 S *	10/2006	Wolf	D2/923
D532,590 S *	11/2006	Belley	D2/969
7,140,129 B2 *	11/2006	Newson	A43B 5/18
			36/100
D613,485 S *	4/2010	Meador	D2/919
D650,157 S *	12/2011	Liow	D2/923
D676,223 S *	2/2013	Dill	D2/923
D690,488 S *	10/2013	Reed	D2/923
9,282,787 B2	3/2016	Ferniani et al.	
D753,377 S *	4/2016	Bigolin	D2/907

(Continued)

**OTHER PUBLICATIONS**

U.S. Appl. No. 29/554,122, filed Feb. 8, 2016.

(Continued)

*Primary Examiner* — Rashida C. Walshon

(74) *Attorney, Agent, or Firm* — Wilmer Cutler Pickering Hale and Dorr LLP

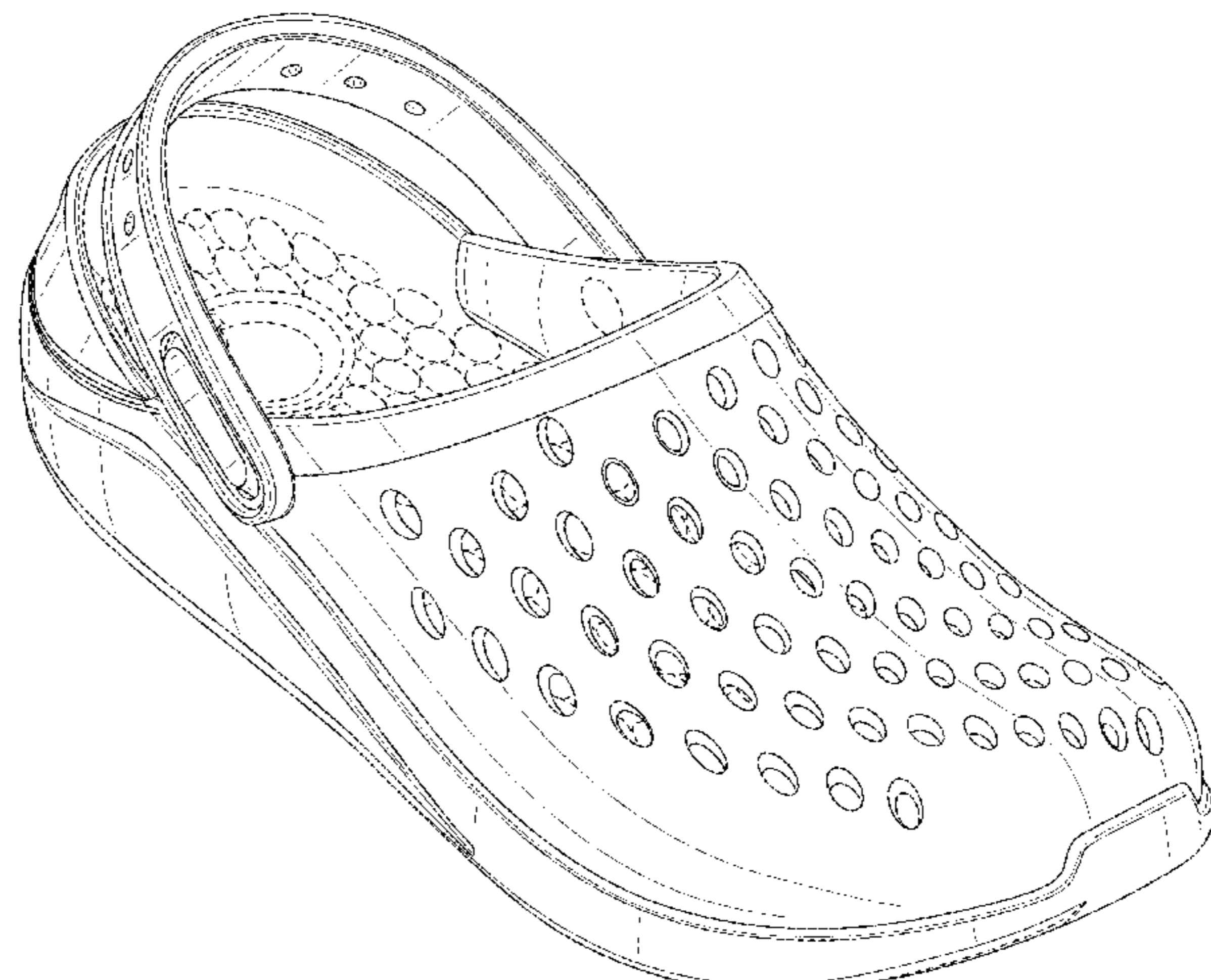
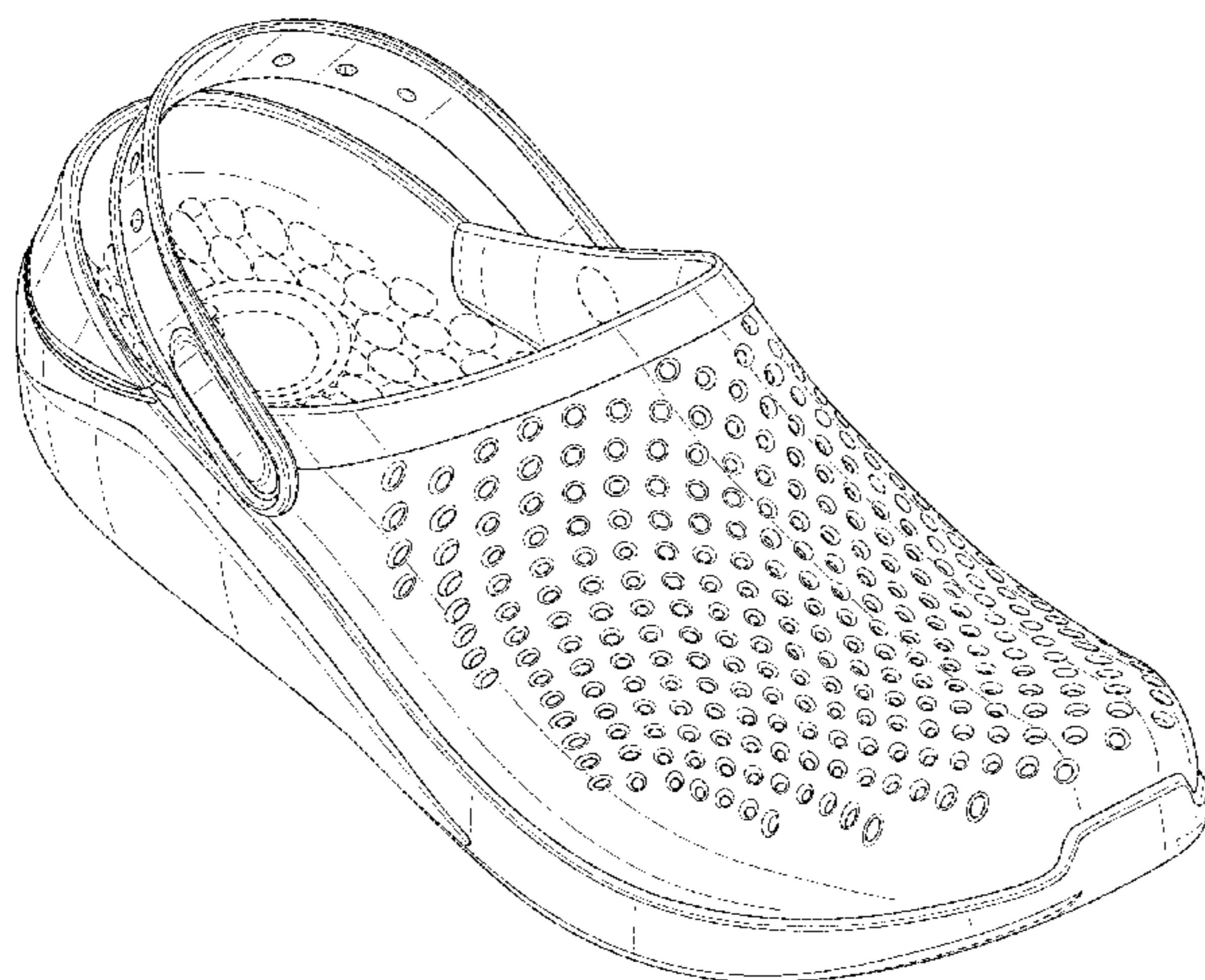
(57) **CLAIM**

The ornamental design for footwear, as shown and described.

**DESCRIPTION**

FIG. 1 is a front perspective view of a first embodiment of footwear;  
 FIG. 2 is a front view of the first embodiment of footwear;  
 FIG. 3 is a back view of the first embodiment of footwear;  
 FIG. 4 is an outer side view of the first embodiment of footwear;  
 FIG. 5 is an inner side view of the first embodiment of footwear;  
 FIG. 6 is a top view of the first embodiment of footwear;  
 FIG. 7 is a bottom view of the first embodiment of footwear;  
 FIG. 8 is a front perspective view of a second embodiment of footwear;  
 FIG. 9 is a front view of the second embodiment of footwear;  
 FIG. 10 is a back view of the second embodiment of footwear;  
 FIG. 11 is an outer side view of the second embodiment of footwear;  
 FIG. 12 is an inner side view of the second embodiment of footwear;  
 FIG. 13 is a top view of the second embodiment of footwear;  
 and,  
 FIG. 14 is a bottom view of the second embodiment of footwear.  
 The elements shown in FIGS. 1-14 in broken lines represent portions that form no part of the claimed design.

**1 Claim, 14 Drawing Sheets**



(56)

**References Cited**

U.S. PATENT DOCUMENTS

D760,484 S      7/2016   Del Biondi et al.

OTHER PUBLICATIONS

U.S. Appl. No. 29/554,125, filed Feb. 8, 2016.

U.S. Appl. No. 29/554,126, filed Feb. 8, 2016.

U.S. Appl. No. 29/590,124, filed Jan. 6, 2017.

\* cited by examiner

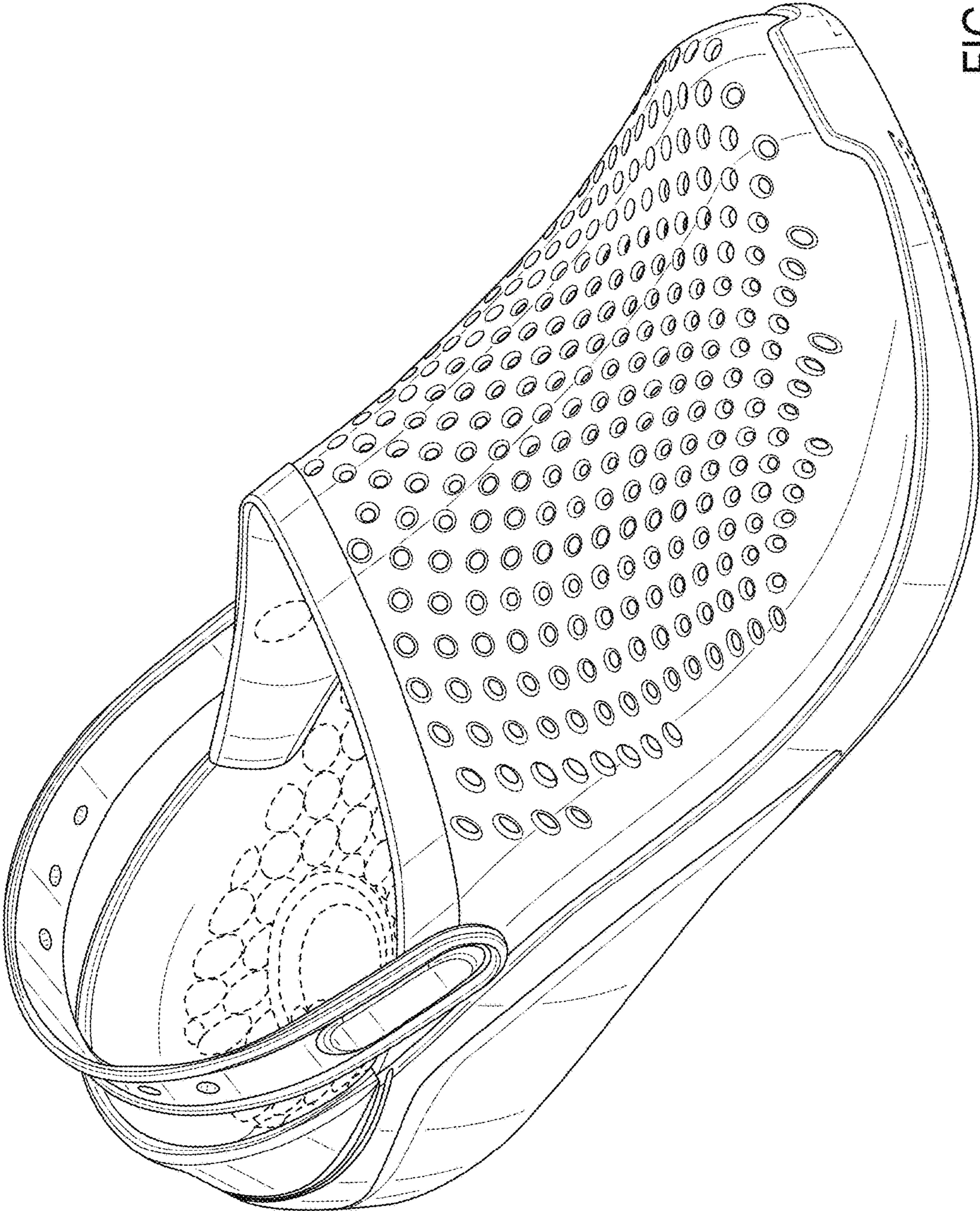


FIG. 1

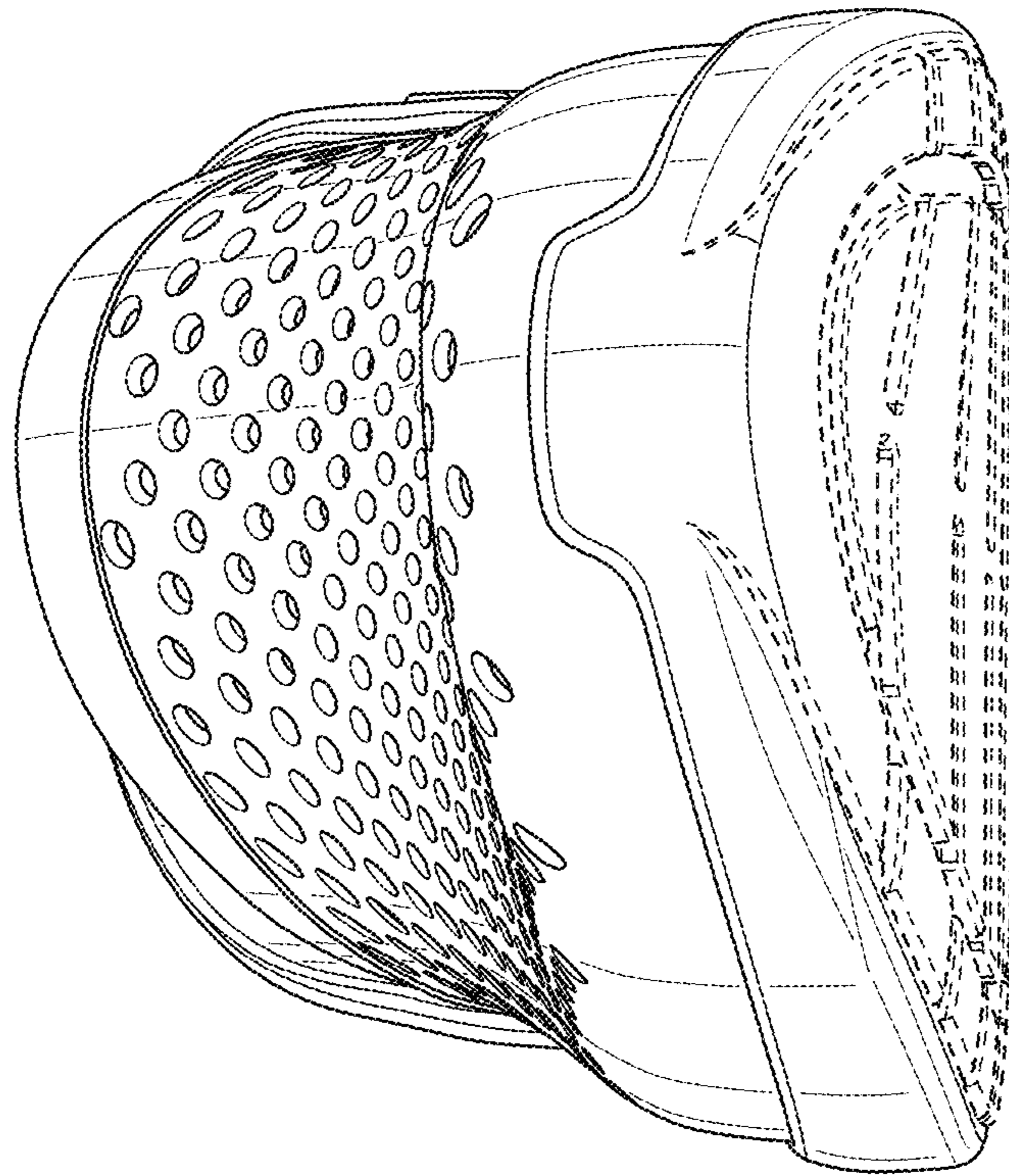


FIG. 2

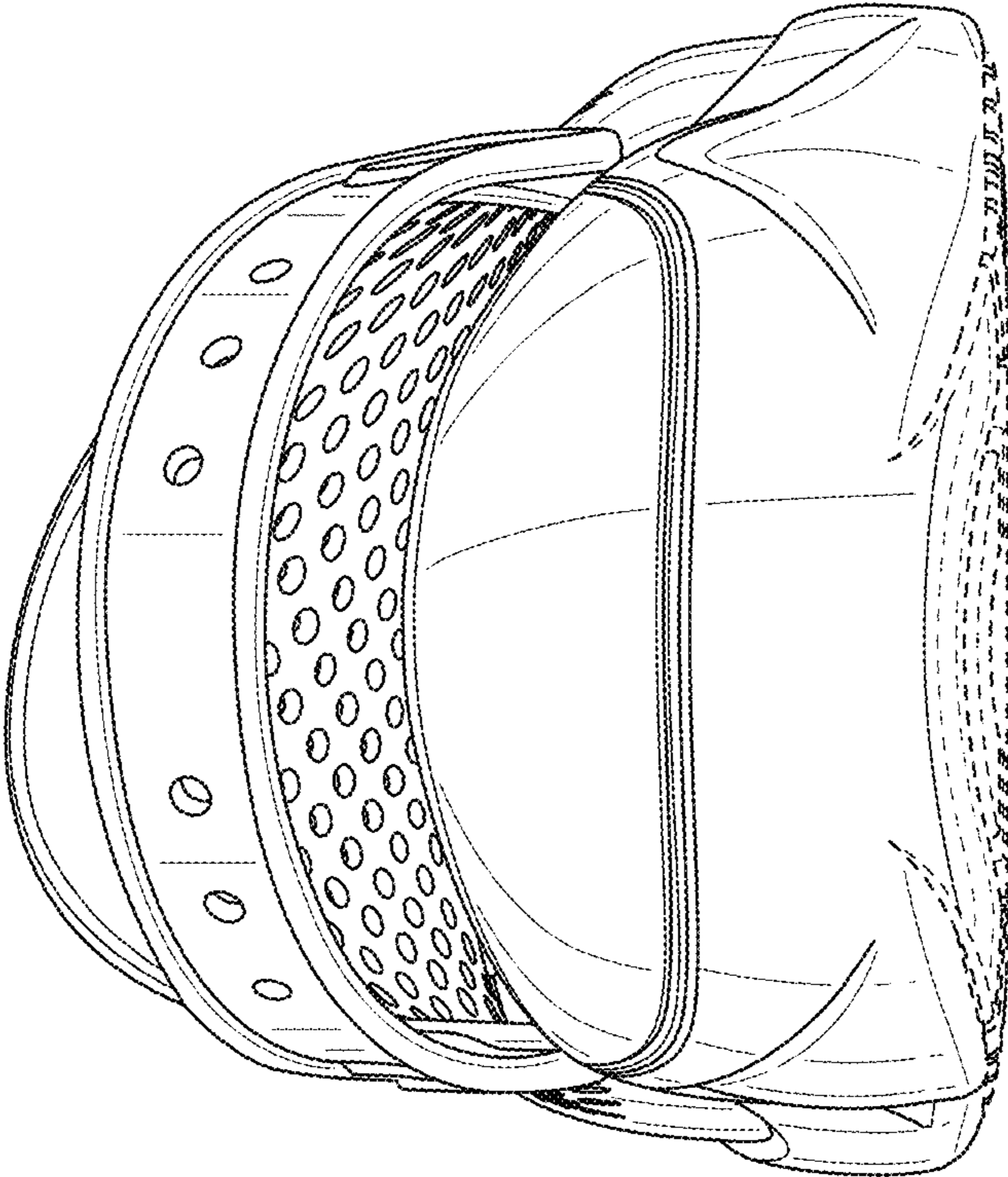


FIG. 3

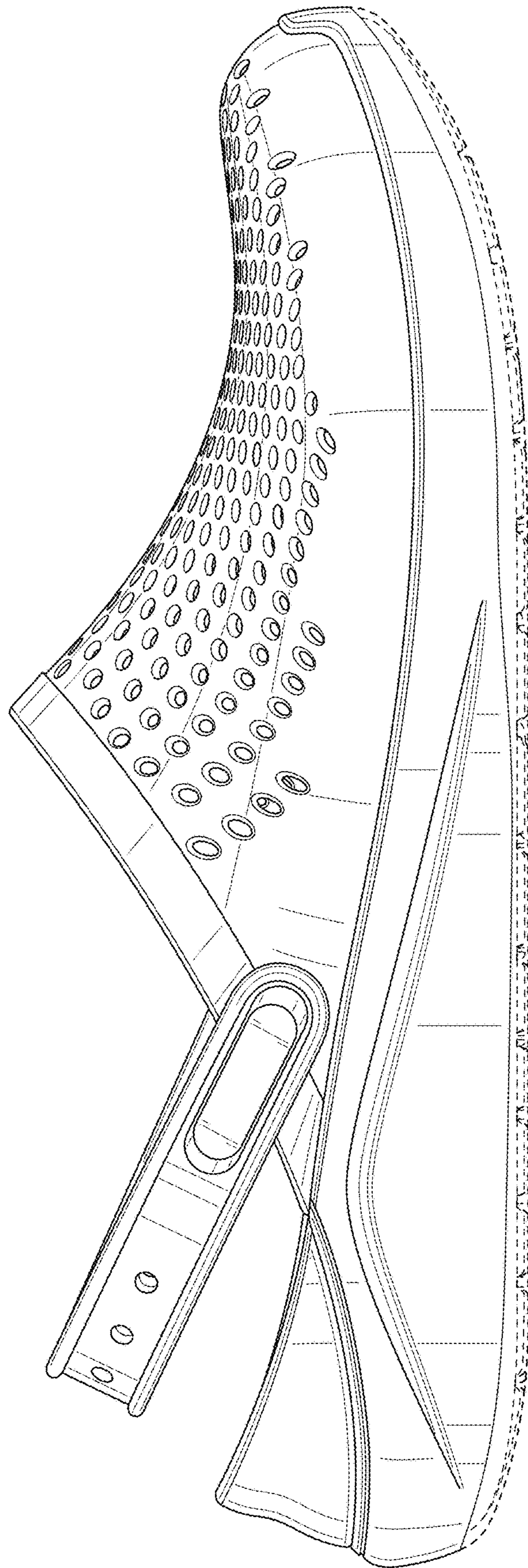


FIG. 4

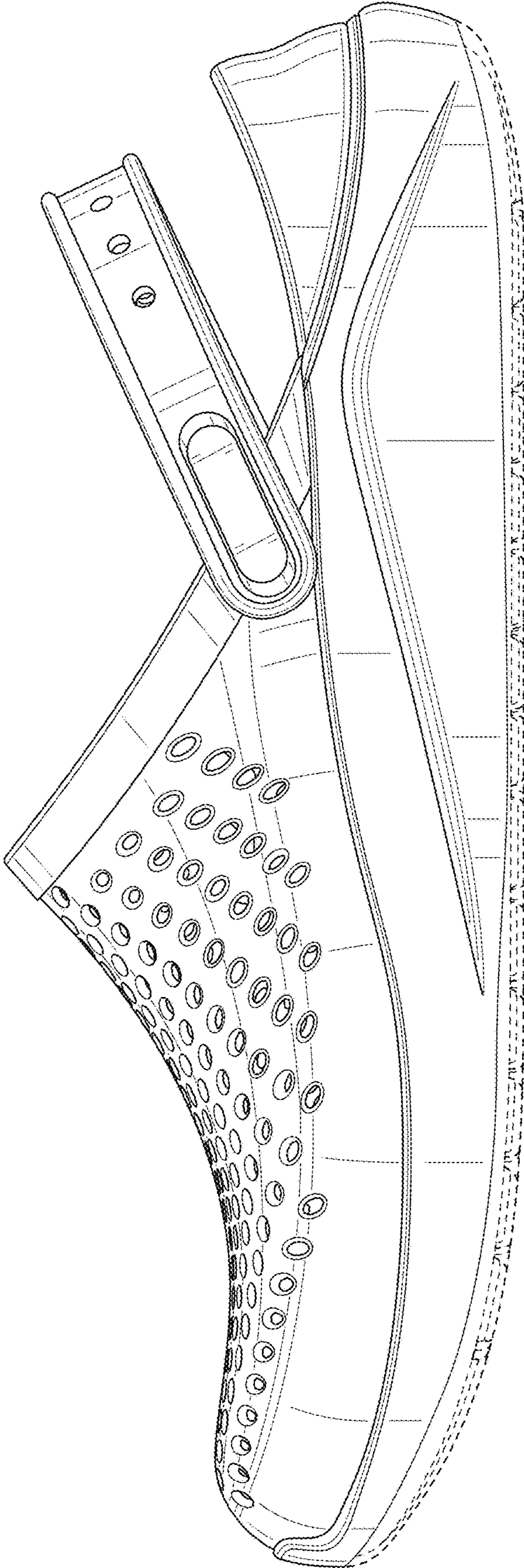


FIG. 5

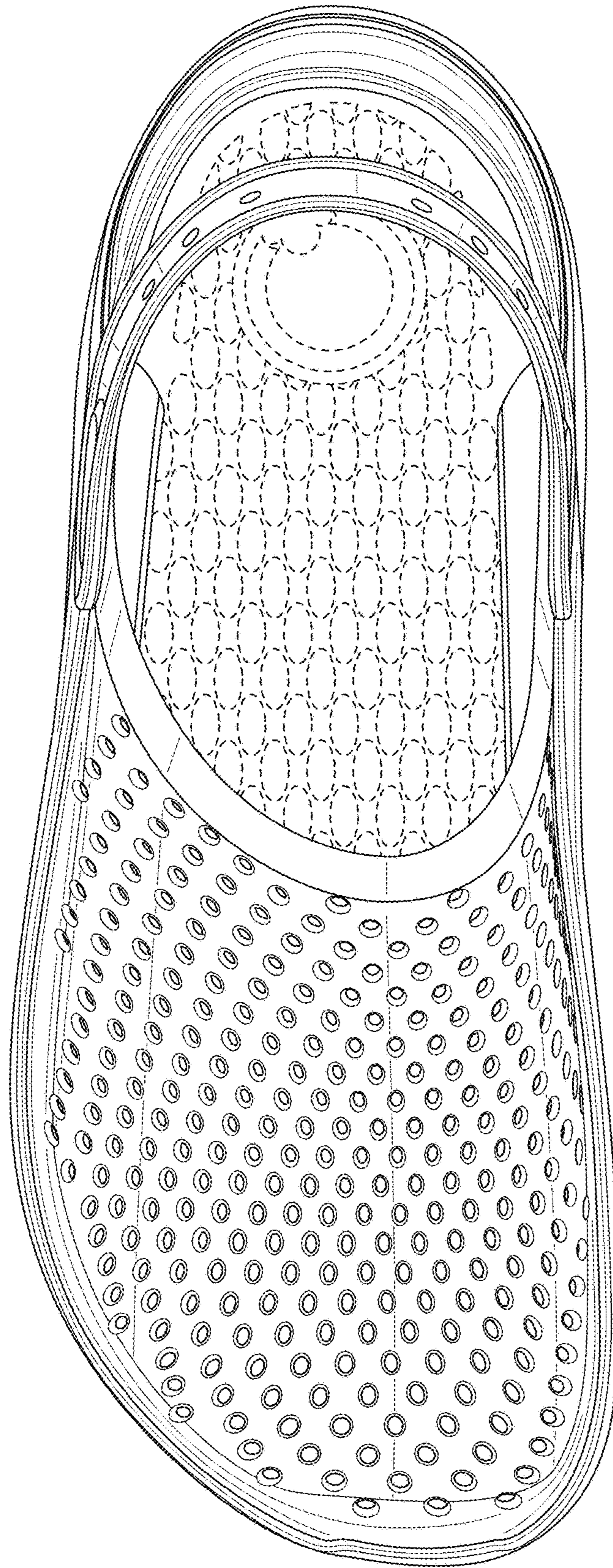


FIG. 6



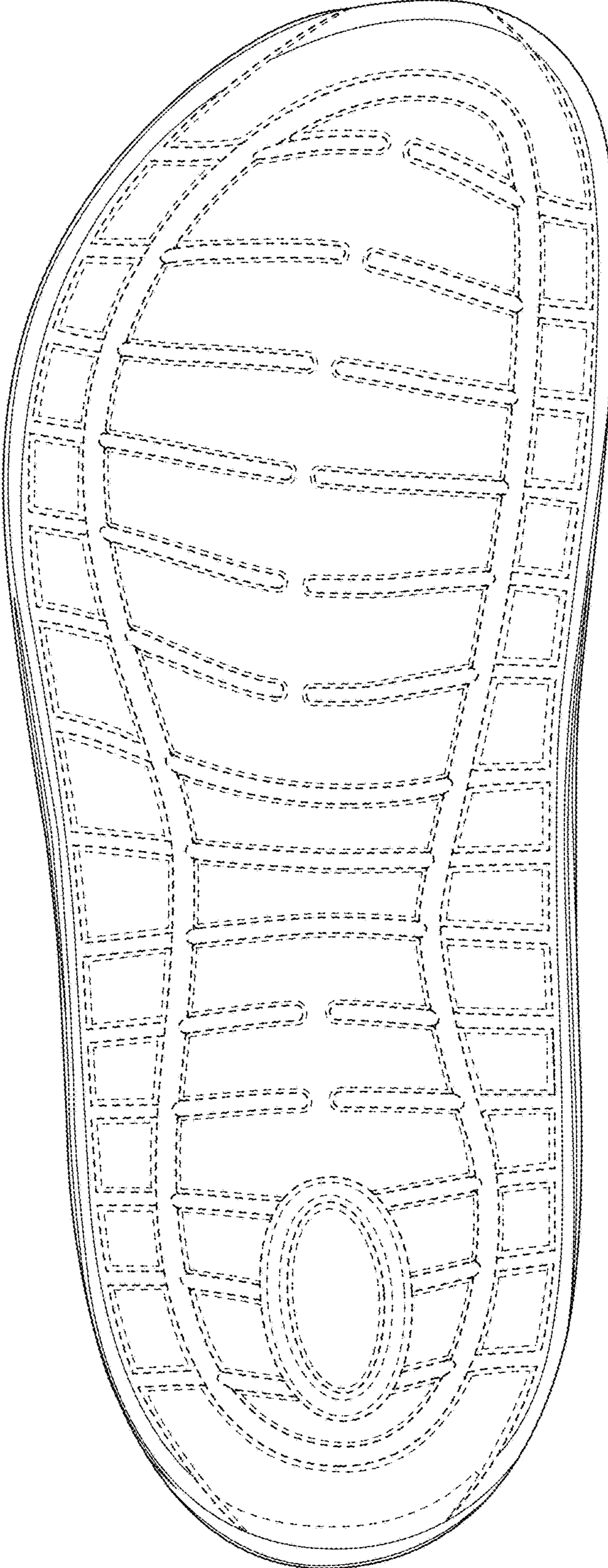


FIG. 7

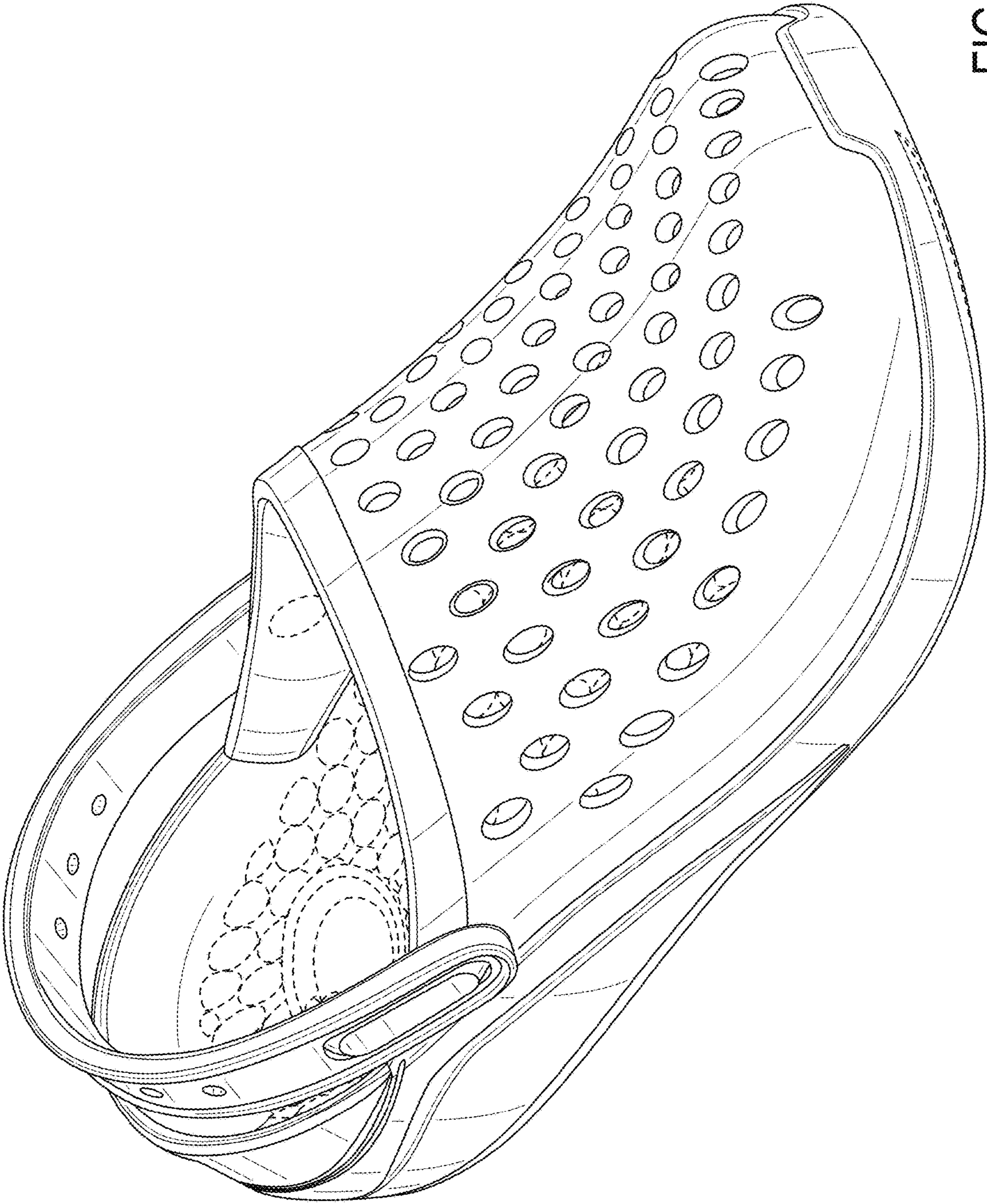


FIG. 8

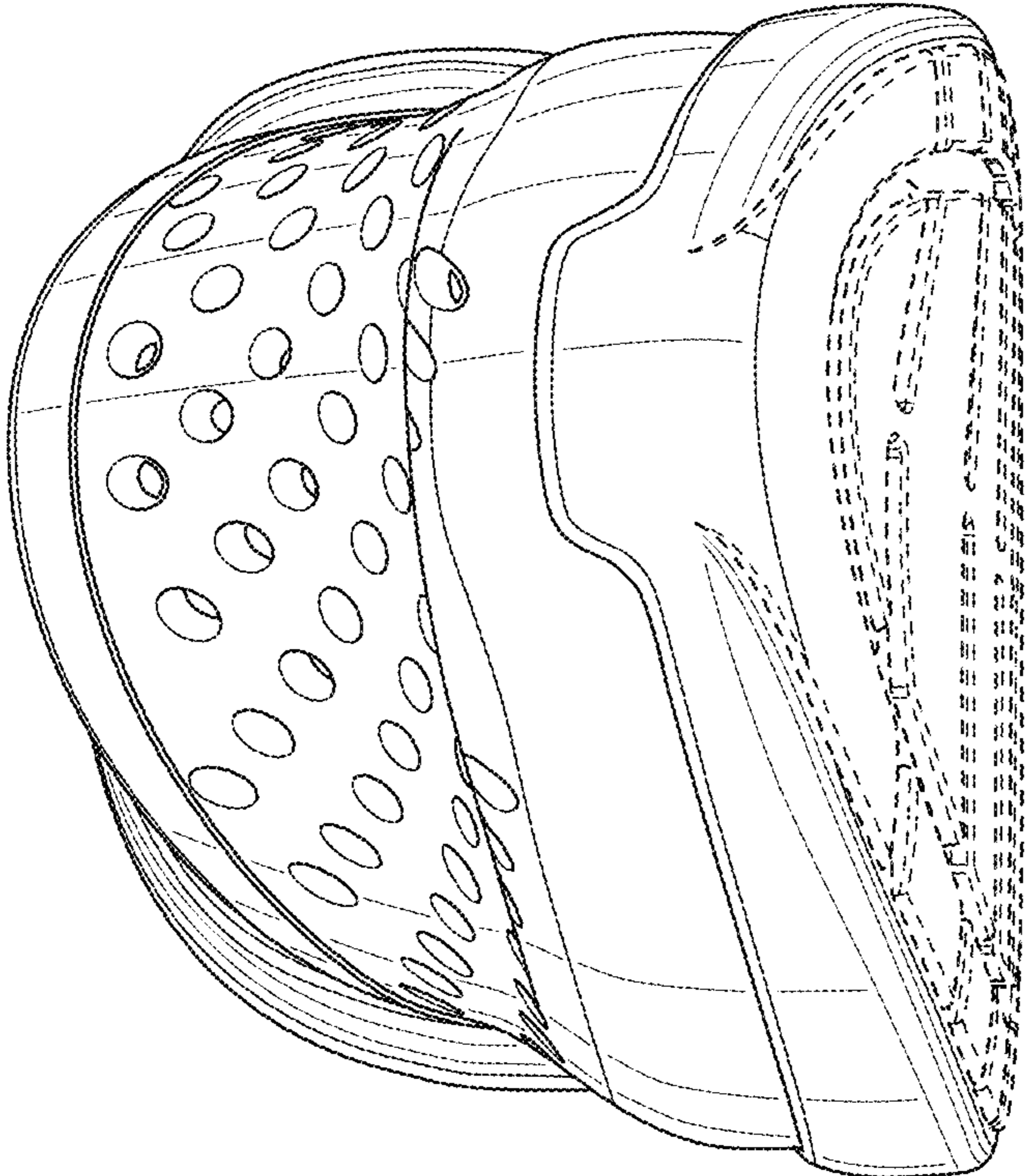


FIG. 9

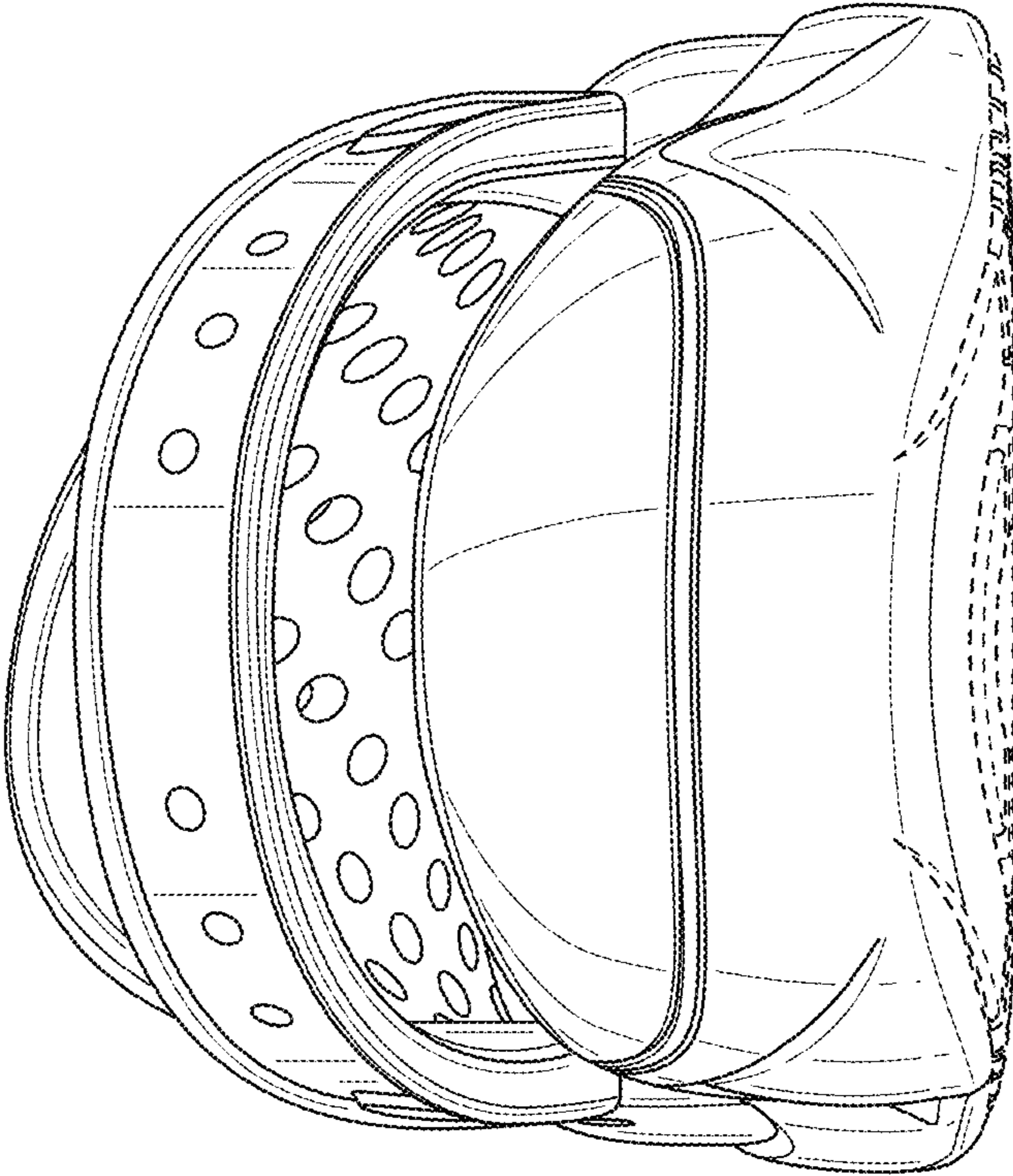


FIG. 10

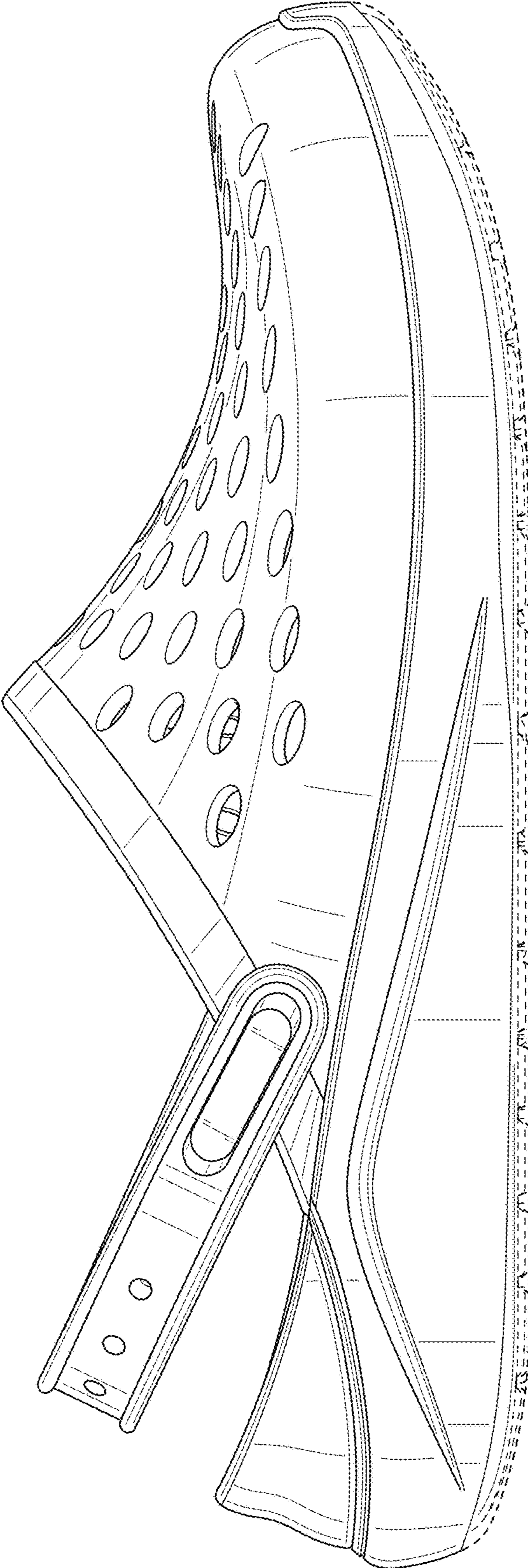


FIG. 11

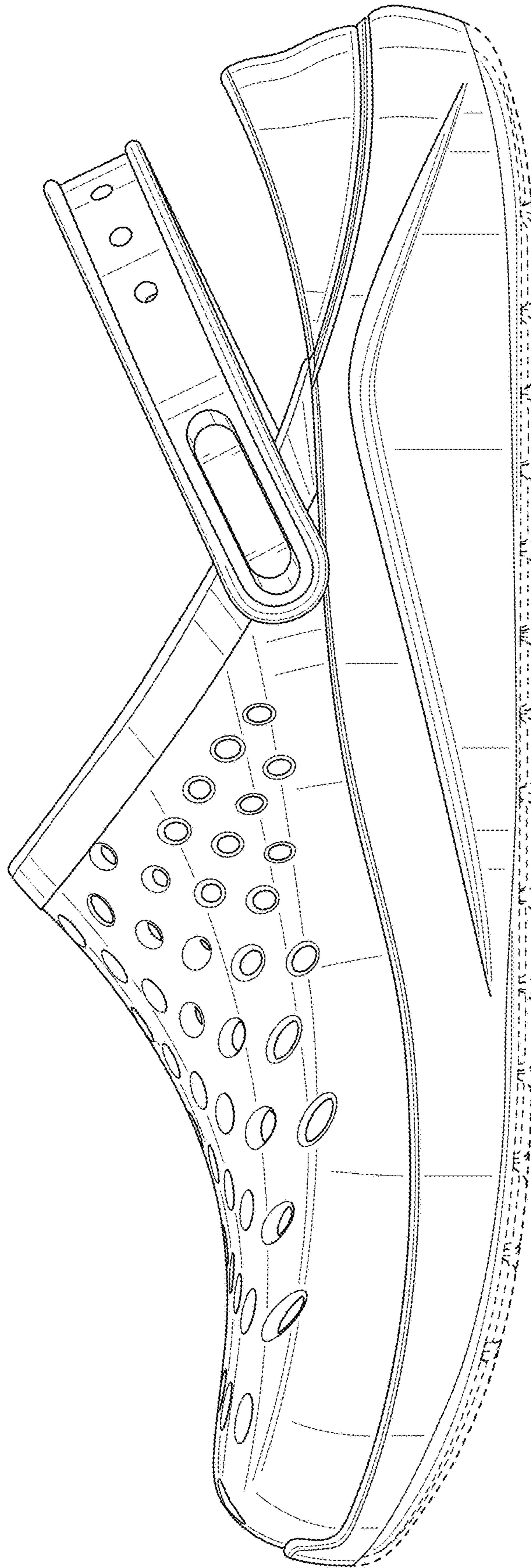


FIG. 12

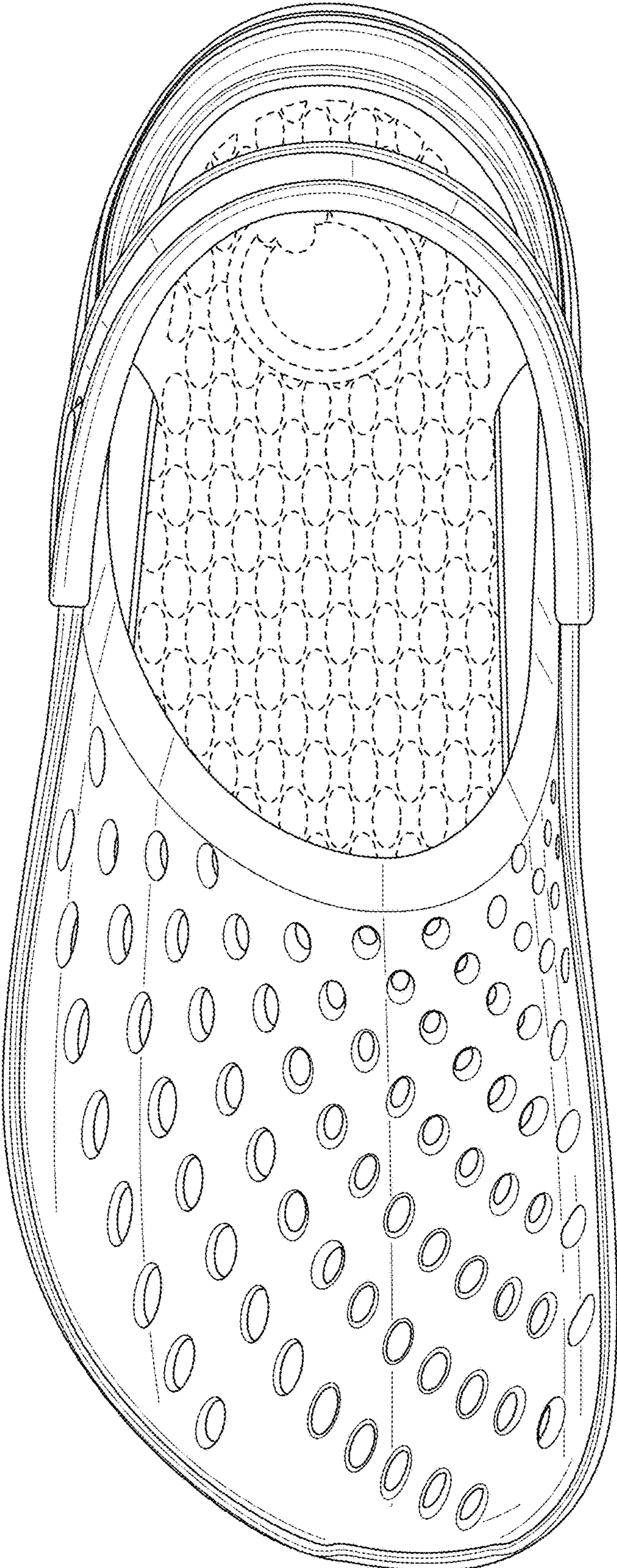


FIG. 13

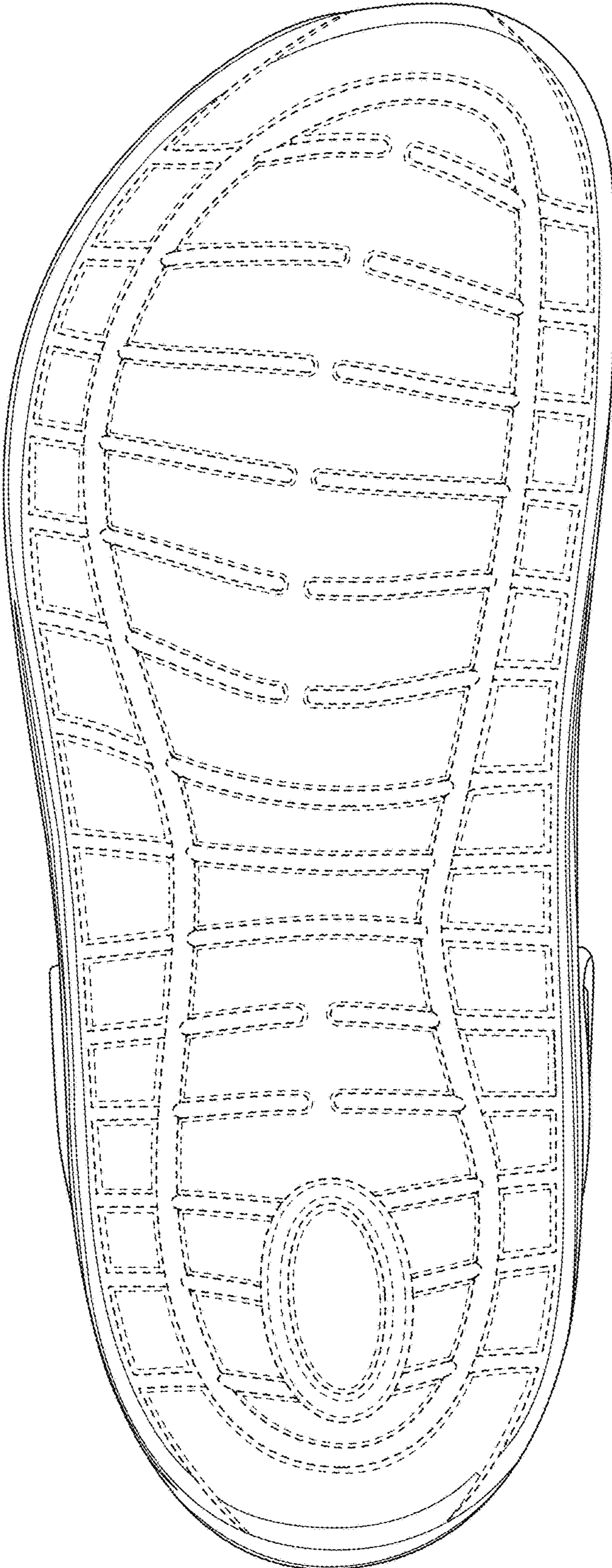


FIG. 14