



US00D856633S

(12) **United States Design Patent** (10) **Patent No.:** **US D856,633 S**  
**Morrison** (45) **Date of Patent:** **\*\* Aug. 20, 2019**

(54) **EASY-OPEN PATIENT APPAREL AND LOUNGE WEAR**

(74) *Attorney, Agent, or Firm* — Nancy J. Flint, Attorney at Law, P.A.; Nancy J. Flint, Esq.

(71) Applicant: **Yordis Morrison**, Fort Lauderdale, FL (US)

(57) **CLAIM**

The ornamental design for easy-open patient apparel & lounge wear, as shown and described.

(72) Inventor: **Yordis Morrison**, Fort Lauderdale, FL (US)

(\*\*) Term: **15 Years**

**DESCRIPTION**

(21) Appl. No.: **29/625,074**

FIG. 1 is a front view of easy-open patient apparel & lounge wear comprising a long-sleeved shirt comprising snaps along both sleeves and the front to maintain them in a closed condition showing my new design;

(22) Filed: **Nov. 7, 2017**

**Related U.S. Application Data**

FIG. 2 is a rear view of easy-open patient apparel & lounge wear comprising a long-sleeved shirt comprising snaps along both sleeves and the front to maintain them in a closed condition;

(62) Division of application No. 29/578,480, filed on Sep. 22, 2016, now Pat. No. Des. 802,254.

(51) **LOC (12) Cl.** ..... **02-01**

FIG. 3 is a left side view of easy-open patient apparel & lounge wear comprising a long-sleeved shirt comprising snaps along both sleeves and the front to maintain them in a closed condition;

(52) **U.S. Cl.**

USPC ..... **D2/720**

FIG. 4 is a right side view of easy-open patient apparel & lounge wear comprising a long-sleeved shirt comprising snaps along both sleeves and the front to maintain them in a closed condition;

(58) **Field of Classification Search**

USPC ..... D2/720, 718, 717, 739, 749–751, D2/840–842, 847–850

FIG. 5 is a front view of easy-open patient apparel & lounge wear comprising a long-sleeved shirt showing the shirt and one sleeve in an open condition;

CPC ..... A41D 13/1236; A41D 13/1245; A41D 13/1254; A41D 13/12

See application file for complete search history.

FIG. 6 is a rear view of easy-open patient apparel & lounge wear comprising a long-sleeved shirt showing the shirt and one sleeve in an open condition;

(56) **References Cited**

**U.S. PATENT DOCUMENTS**

2,262,346 A \* 11/1941 Spencer ..... A41D 1/02 2/93

FIG. 7 is a left side view of easy-open patient apparel & lounge wear comprising a long-sleeved shirt showing the shirt and one sleeve in an open condition; and,

2,617,106 A \* 11/1952 Pritzker ..... A41D 15/00 2/97

FIG. 8 is a right side view of easy-open patient apparel & lounge wear comprising a long-sleeved shirt showing the shirt and one sleeve in an open condition.

D306,791 S \* 3/1990 Hurst ..... D2/837

D336,968 S \* 7/1993 Russano ..... D2/720

D463,093 S \* 9/2002 Murray ..... D2/720

D530,885 S \* 10/2006 Barthel ..... D2/720

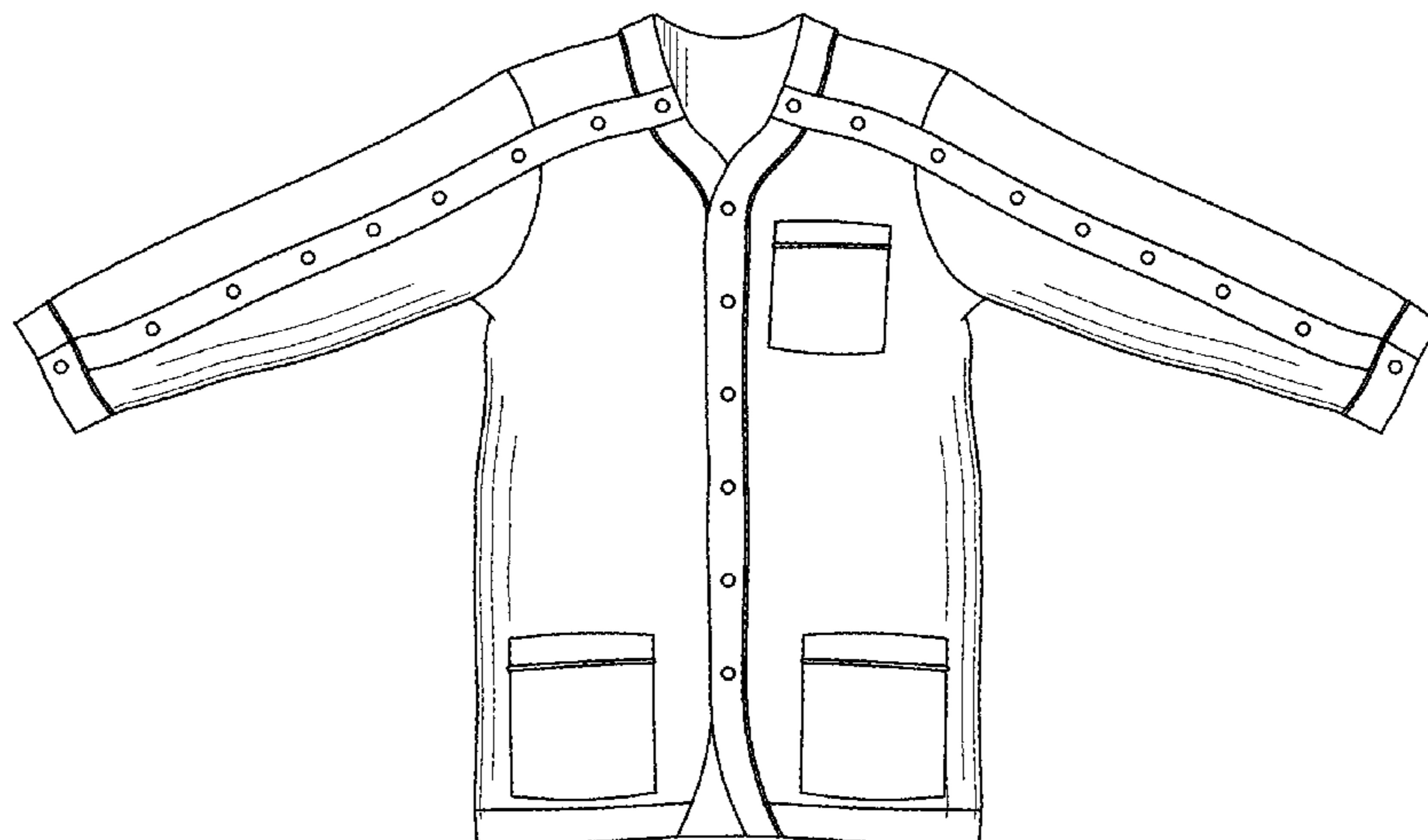
Top and bottom views not shown are not part of the design sought to be patented.

(Continued)

*Primary Examiner* — Michelle E. Wilson

**1 Claim, 6 Drawing Sheets**

*Assistant Examiner* — Clese Moore, Jr.



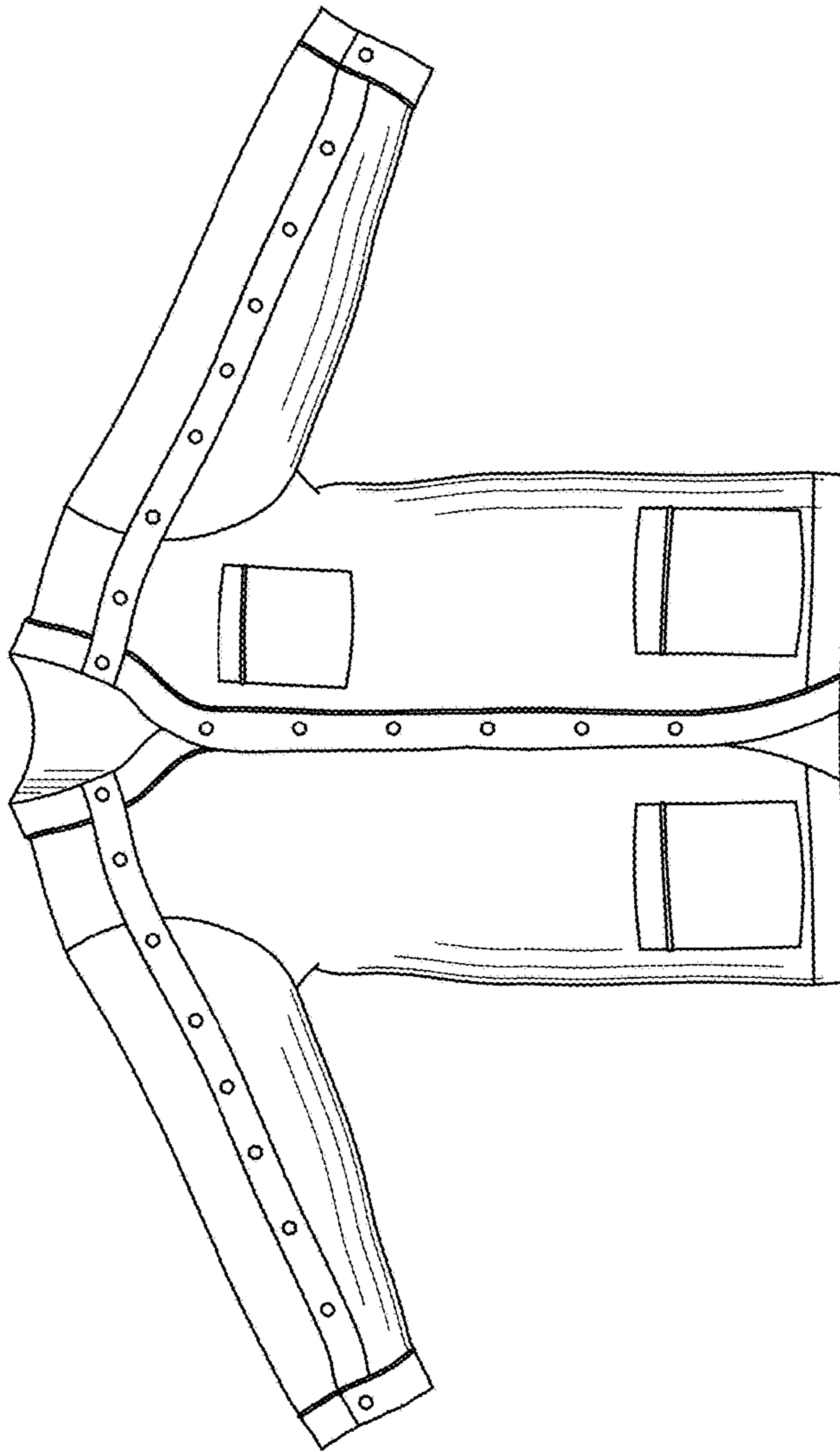
(56)

**References Cited**

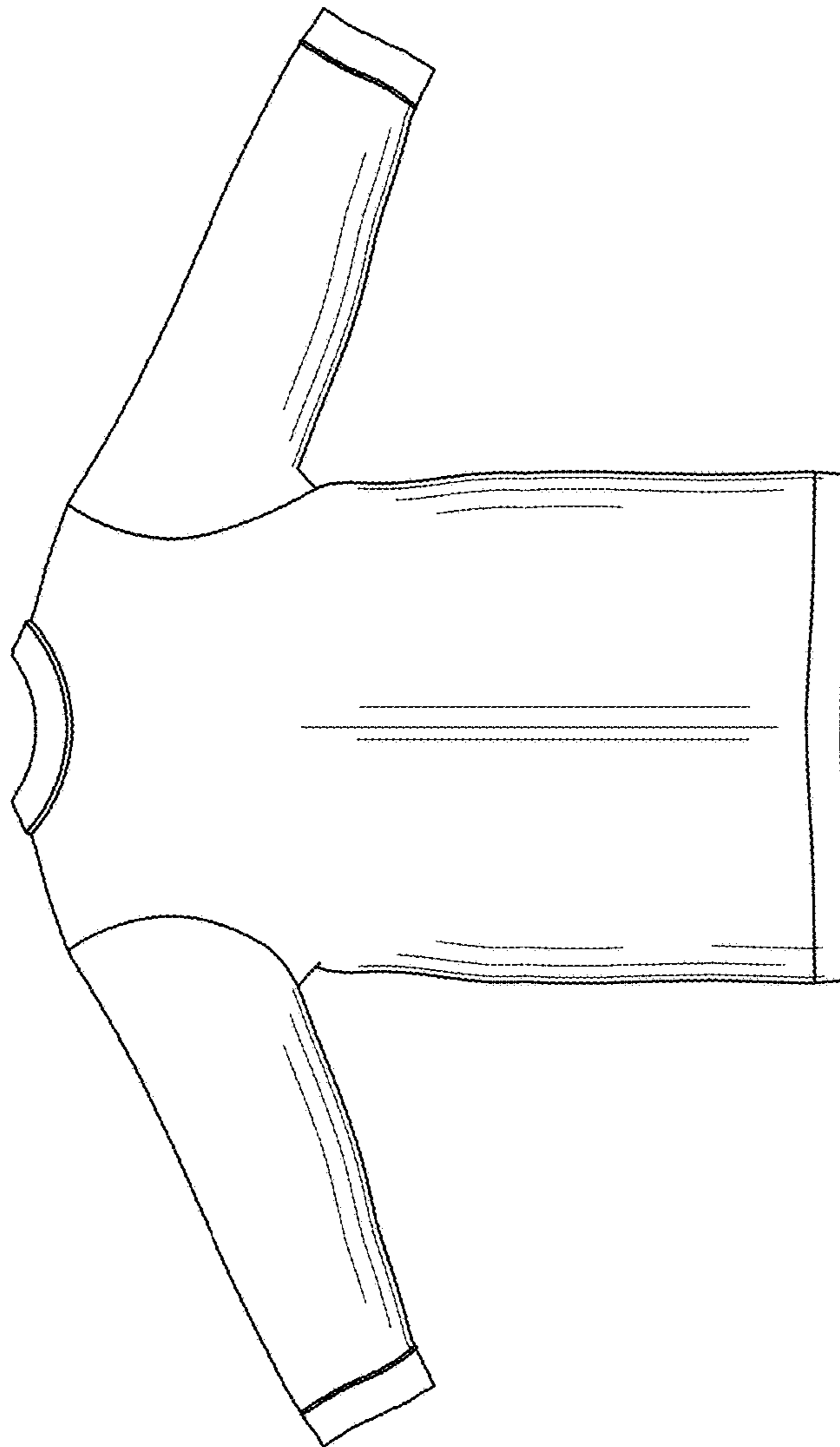
U.S. PATENT DOCUMENTS

D574,126	S	*	8/2008	McCray	.....	D2/720
D584,882	S	*	1/2009	Trouillot	.....	D2/720
D600,888	S	*	9/2009	Sky	.....	D2/739
D608,078	S	*	1/2010	Tranto	.....	D2/837
D612,126	S	*	3/2010	Milgrom	.....	D2/720
D632,460	S	*	2/2011	Kinder	.....	D2/717
D661,466	S	*	6/2012	Taft	.....	D2/743
D679,889	S	*	4/2013	Kinder	.....	D2/739
D680,709	S	*	4/2013	Blood	.....	D2/720
D707,919	S	*	7/2014	Lockwood	.....	D2/720
D733,999	S	*	7/2015	Parker	.....	D2/717
D752,318	S	*	3/2016	Powell	.....	D2/720
D802,884	S	*	11/2017	Bennett	.....	D2/739

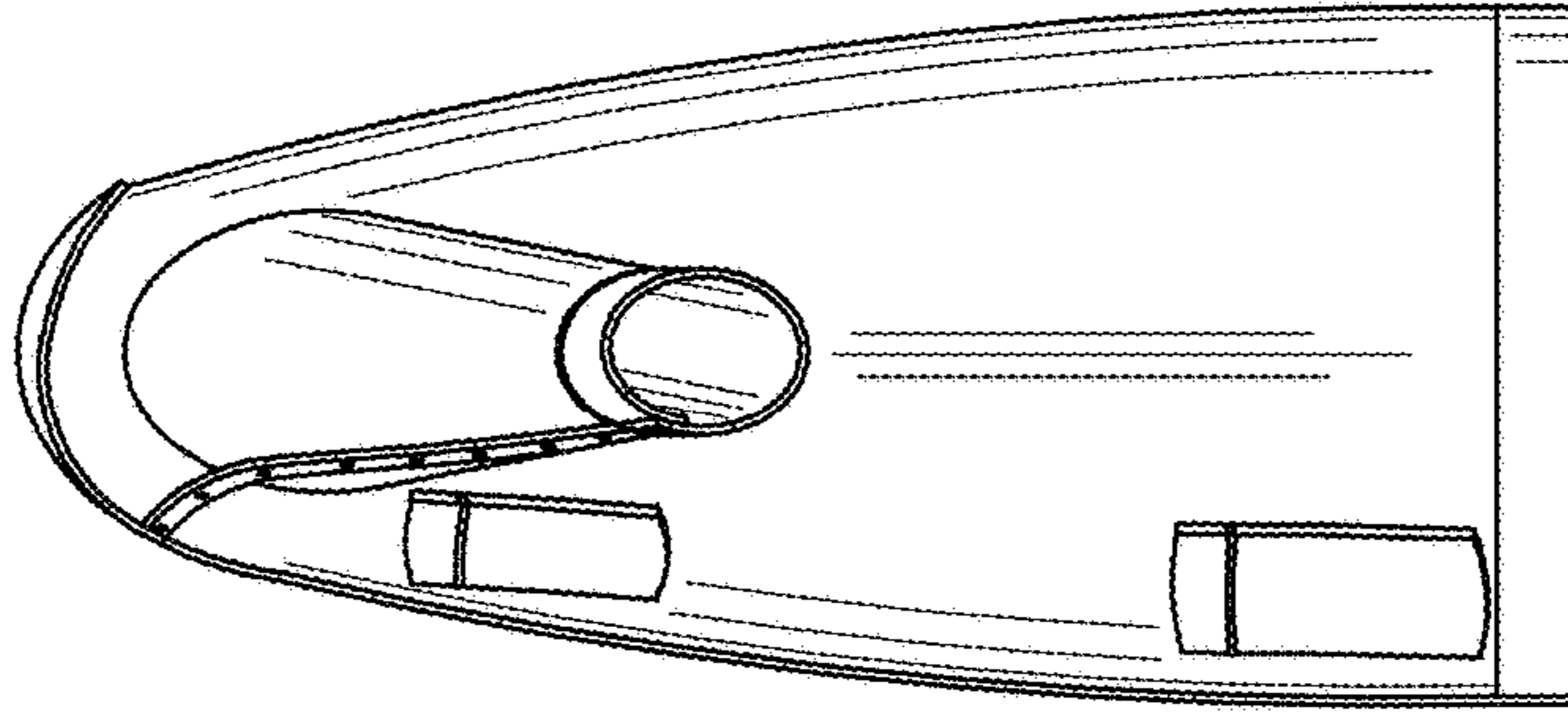
\* cited by examiner



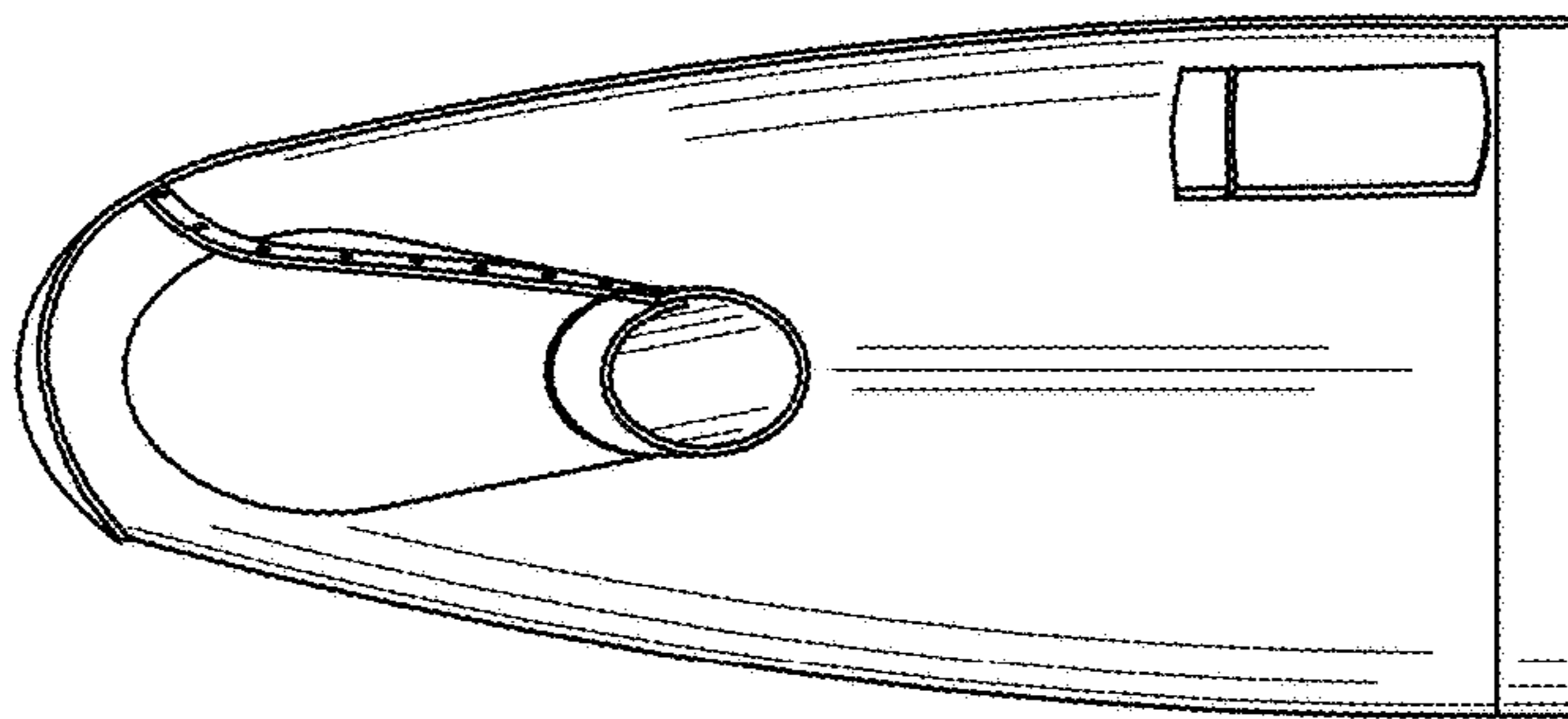
**Fig. 1**



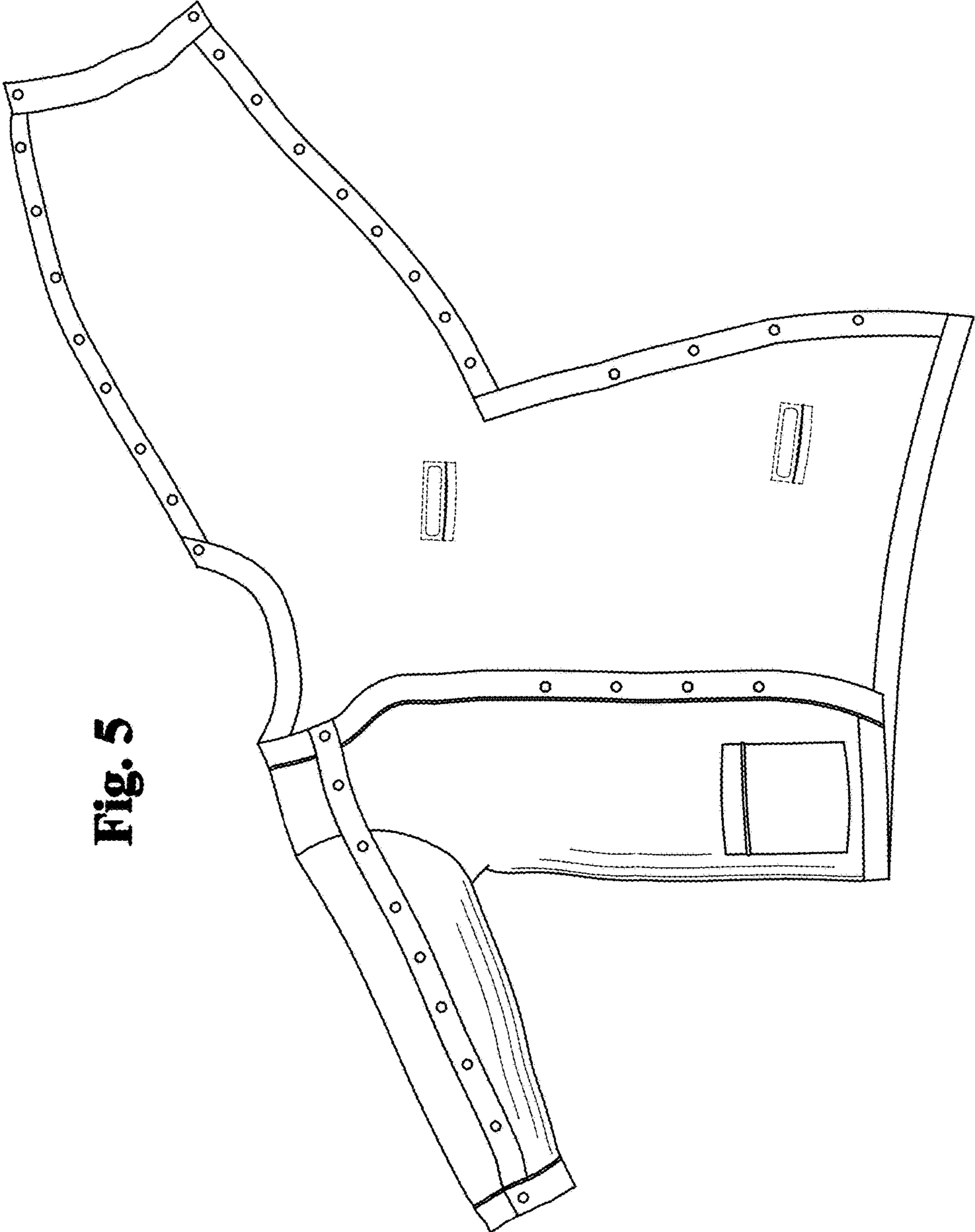
**Fig. 2**



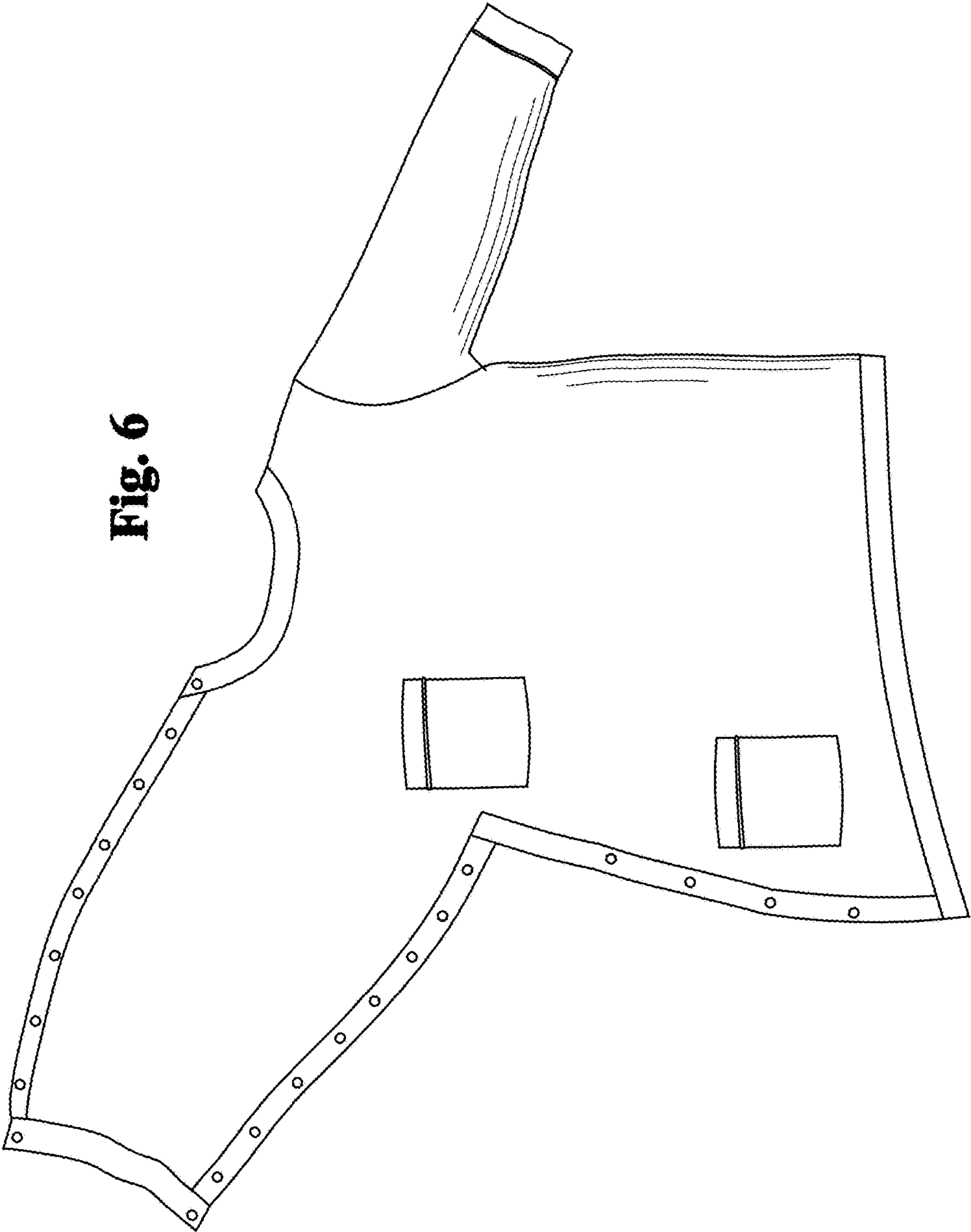
**Fig. 4**



**Fig. 3**

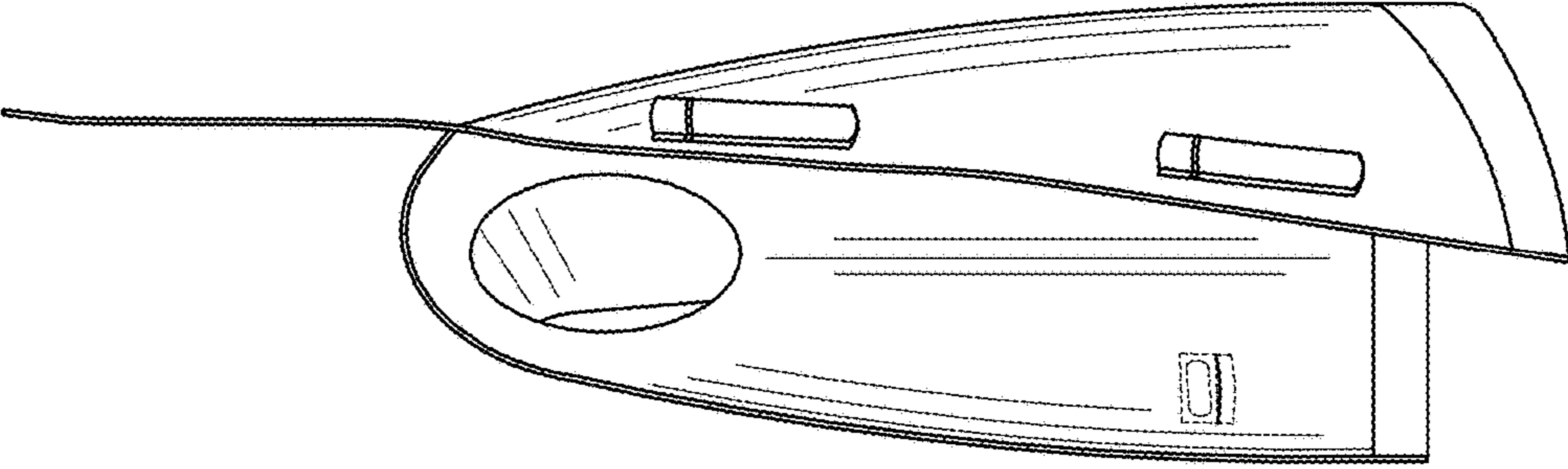


**Fig. 5**



**Fig. 6**

**Fig. 8**



**Fig. 7**

