



US00D856629S

(12) **United States Design Patent** (10) **Patent No.:** **US D856,629 S**
Reynolds (45) **Date of Patent:** **** Aug. 13, 2019**

(54) **CREMATION URN WITH DECORATIVE APPLIQUE APPLIED THERETO**

(71) Applicant: **Batesville Services, Inc.**, Batesville, IN (US)

(72) Inventor: **Kristine Ann Reynolds**, Oldenburg, IN (US)

(73) Assignee: **Batesville Services, Inc.**, Batesville, IN (US)

(**) Term: **15 Years**

(21) Appl. No.: **29/639,441**

(22) Filed: **Mar. 6, 2018**

Related U.S. Application Data

(60) Division of application No. 29/567,466, filed on Jun. 9, 2016, now Pat. No. Des. 812,337, which is a division of application No. 29/501,850, filed on Sep. 9, 2014, now Pat. No. Des. 759,338, which is a continuation of application No. 13/799,919, filed on Mar. 13, 2013, now Pat. No. 9,198,819.

(51) **LOC (12) Cl.** **99-00**

(52) **U.S. Cl.**
USPC **D99/5**

(58) **Field of Classification Search**
USPC D99/5; 27/1; D7/540, 629, 391, 392.1; D9/545, 548, 435, 434; D11/152, 153, D11/154; 206/508; 220/288; 211/85.27; 215/320, 343, 344; 63/1.11, 1.14
CPC A61G 17/08; A61B 17/00
See application file for complete search history.

(56) **References Cited**

U.S. PATENT DOCUMENTS

1,149,524 A 8/1915 Jones
D57,488 S 4/1921 Vivadow

(Continued)

FOREIGN PATENT DOCUMENTS

CN 201719497 U 1/2011
CN 201832093 U 5/2011

(Continued)

OTHER PUBLICATIONS

U.S. Appl. No. 61/675,628, filed Jul. 25, 2012.

(Continued)

Primary Examiner — Paula Allen Greene

(74) *Attorney, Agent, or Firm* — Wood Herron & Evans LLP

(57) **CLAIM**

The ornamental design for a cremation urn with decorative applique applied thereto, as shown and described.

DESCRIPTION

FIG. 1 is a top perspective view of my new, original and ornamental design for a cremation urn with decorative applique applied thereto.

FIG. 2 is a bottom perspective thereof.

FIG. 3 is a top view thereof.

FIG. 4 is a front view thereof, the back view, left side view, and right side view thereof being identical thereto.

FIG. 5 is a bottom view thereof.

FIG. 6 is a top perspective view of another embodiment of my new, original and ornamental design for a cremation urn with decorative applique applied thereto.

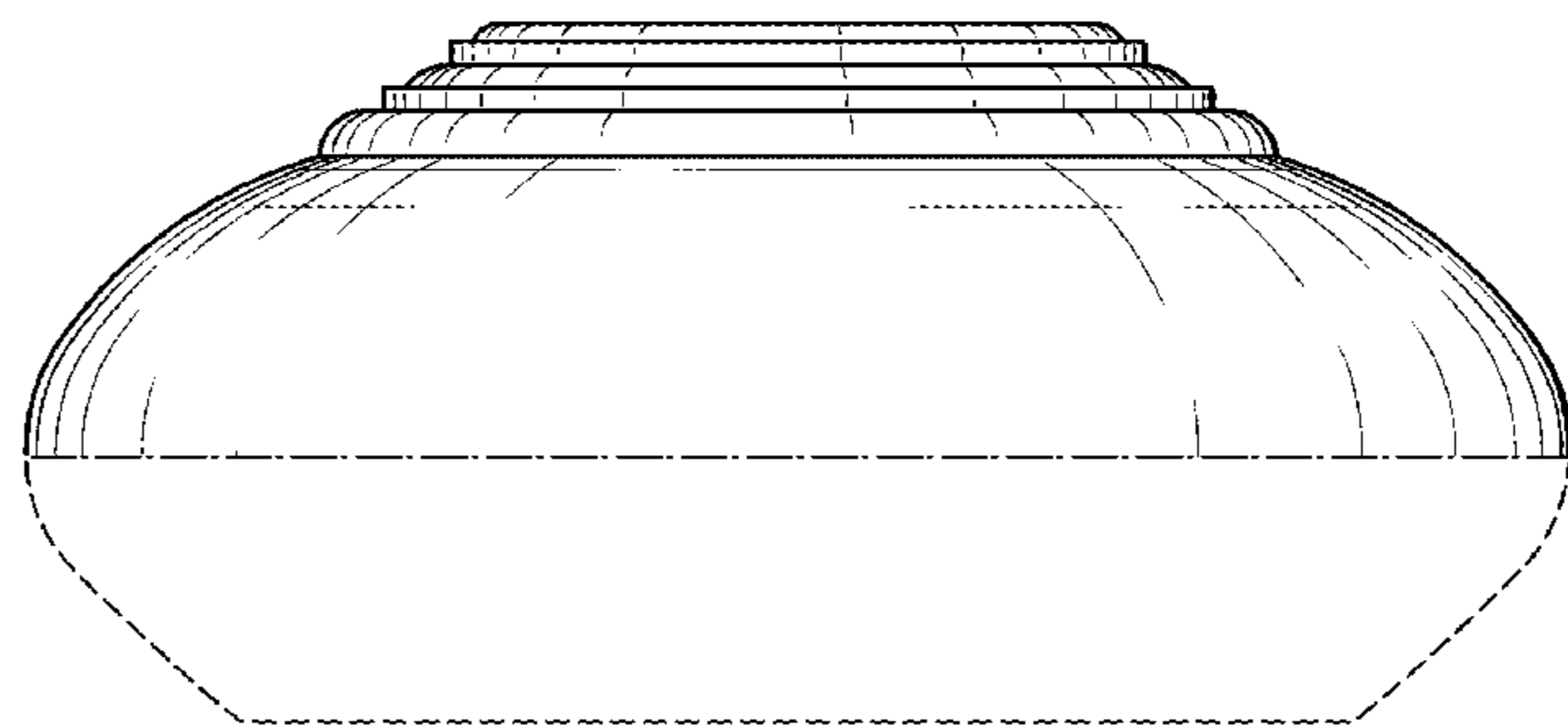
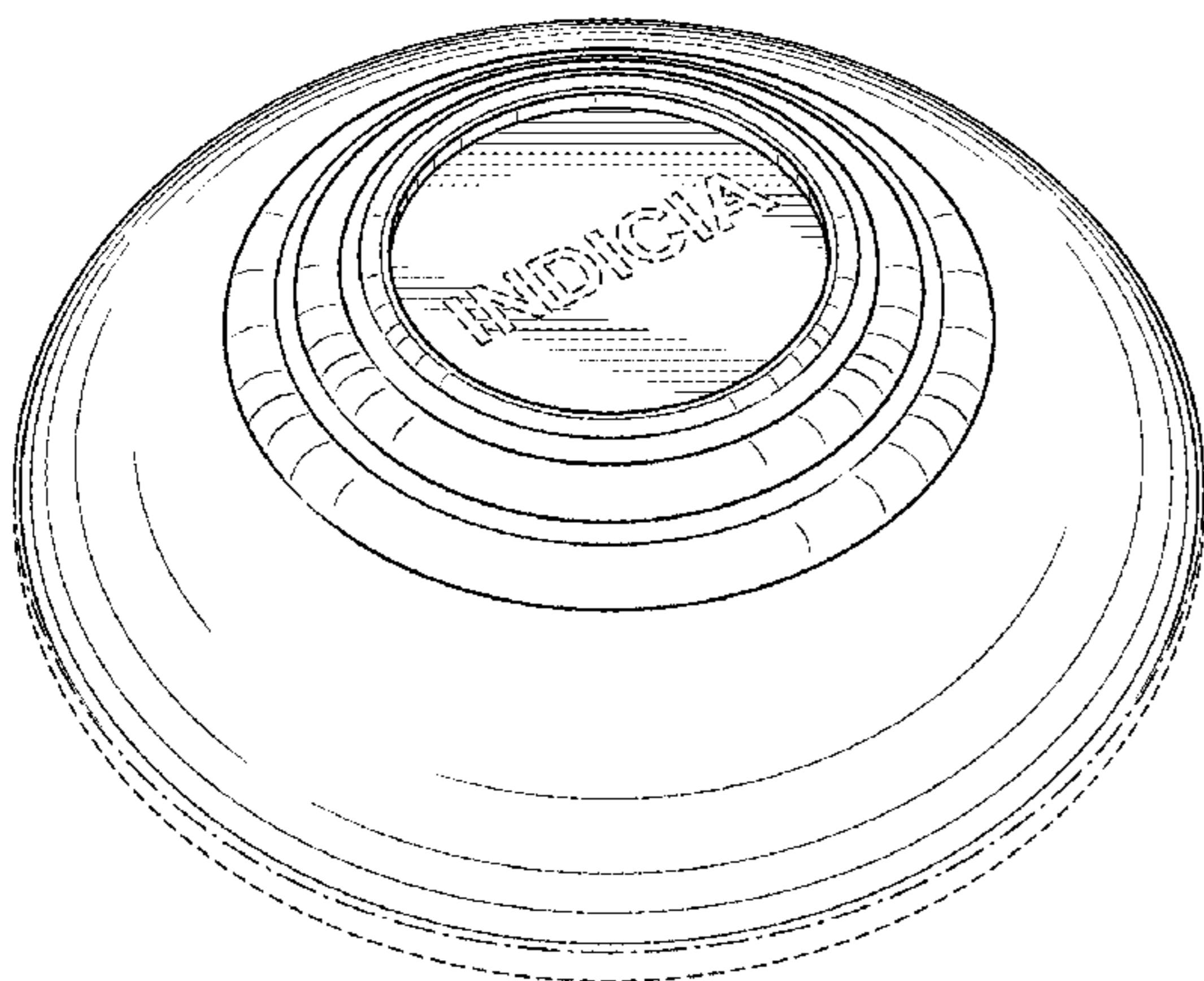
FIG. 7 is a bottom perspective view thereof.

FIG. 8 is a top view thereof; and,

FIG. 9 is a front view thereof, the back view, left side view, and right side view thereof being identical thereto.

The dash lines illustrate environment and form no part of the claimed design. The dash-dot lines represent unclaimed portions and/or unclaimed boundaries of the design.

1 Claim, 5 Drawing Sheets



(56)

References Cited

U.S. PATENT DOCUMENTS

1,509,524 A * 9/1924 Morrison A47F 3/145
206/216
1,977,641 A * 10/1934 Loeber B65F 1/1615
220/212.5
2,235,617 A 3/1941 Klinzing
2,385,520 A 9/1945 Klinzing
2,388,738 A * 11/1945 Gudheim B65D 51/20
215/232
2,465,755 A 3/1949 Sanders
2,562,726 A 7/1951 MacDonald et al.
2,765,832 A * 10/1956 Tupper A47J 43/0727
220/659
D192,757 S * 5/1962 Foss et al. D21/390
3,051,303 A * 8/1962 Daanen A47G 19/26
206/776
3,405,837 A 10/1968 Carpenter, Jr.
D212,843 S * 12/1968 Hart et al. D9/452
D214,894 S 8/1969 Chandler
3,470,929 A 10/1969 Thornton
3,732,602 A 5/1973 Vigh
3,856,171 A * 12/1974 Rossi B65D 41/485
215/256
3,957,097 A * 5/1976 Swett B65D 43/0222
220/780
D247,318 S 2/1978 Bennett
D255,215 S 6/1980 Ellinwood
D258,821 S 4/1981 Wareham et al.
D260,492 S 9/1981 Scott
D266,486 S 10/1982 Lutz
D271,945 S * 12/1983 Ochs D9/452
D275,269 S 8/1984 Sun
D281,758 S * 12/1985 Trombly D7/391
D303,584 S 9/1989 Bakic
5,029,373 A 7/1991 Raymond
5,082,136 A * 1/1992 Schumann B65D 51/228
215/228
D345,848 S 4/1994 May et al.
D345,850 S 4/1994 Nakaue
5,379,499 A 1/1995 Jackson
D356,422 S 3/1995 Parker
D360,732 S 7/1995 Parker
D385,081 S 10/1997 Parker
5,815,897 A 10/1998 Longstreth
D408,285 S * 4/1999 Favre D28/76
D411,747 S 6/1999 Kokenge et al.
D425,283 S 5/2000 Thesken
D434,201 S 11/2000 Thesken
D446,901 S * 8/2001 Izzi D99/5

D447,717 S 9/2001 Siebenberg
6,526,636 B2 3/2003 Bemhardt
D475,290 S 6/2003 Cooper
6,584,658 B2 7/2003 Robinson
6,735,831 B1 5/2004 Greiwe et al.
6,755,314 B2 6/2004 Cooper
7,000,760 B2 2/2006 Lau
7,318,262 B1 1/2008 Florea
D563,785 S 3/2008 Maki et al.
D584,475 S 1/2009 Mytych et al.
D616,174 S * 5/2010 Beigel D99/5
D621,124 S 8/2010 Biegel
D643,993 S 8/2011 Biegel
8,046,881 B2 11/2011 Johnson et al.
D650,964 S 12/2011 Roberson
8,220,119 B2 7/2012 Burlage et al.
D677,978 S * 3/2013 Evans D7/391
8,387,219 B2 3/2013 Rojdev
8,510,921 B2 8/2013 Florea
8,555,471 B2 10/2013 Rojdev
8,567,023 B2 10/2013 Burlage et al.
9,198,819 B2 * 12/2015 Reynolds A61G 17/08
D759,338 S * 6/2016 Reynolds A61G 17/08
D99/5
D759,388 S 6/2016 Davis
D812,337 S * 3/2018 Reynolds D99/5
D824,765 S * 8/2018 Metais D9/504
2003/0024089 A1 2/2003 Dziekonski
2005/0055812 A1 3/2005 Fischer
2009/0266108 A1 10/2009 Balme et al.
2010/0011549 A1 1/2010 Thompson
2010/0024480 A1 2/2010 Emer
2010/0299895 A1 12/2010 Burlage et al.
2012/0267383 A1 10/2012 Van Rooyen
2013/0074299 A1 3/2013 Rojdev
2014/0047684 A1 2/2014 Reynolds

FOREIGN PATENT DOCUMENTS

CN 202146414 U 2/2012
CN 202191444 U 4/2012
DE 19608261 A1 8/1996
JP 3145162 B2 3/2001

OTHER PUBLICATIONS

Search Report, corresponding GB Application No. GB1314522.2,
dated Jan. 30, 2014.
Marcelo Urns not dated found in copending U.S. Appl. No. 61/683,525.

* cited by examiner

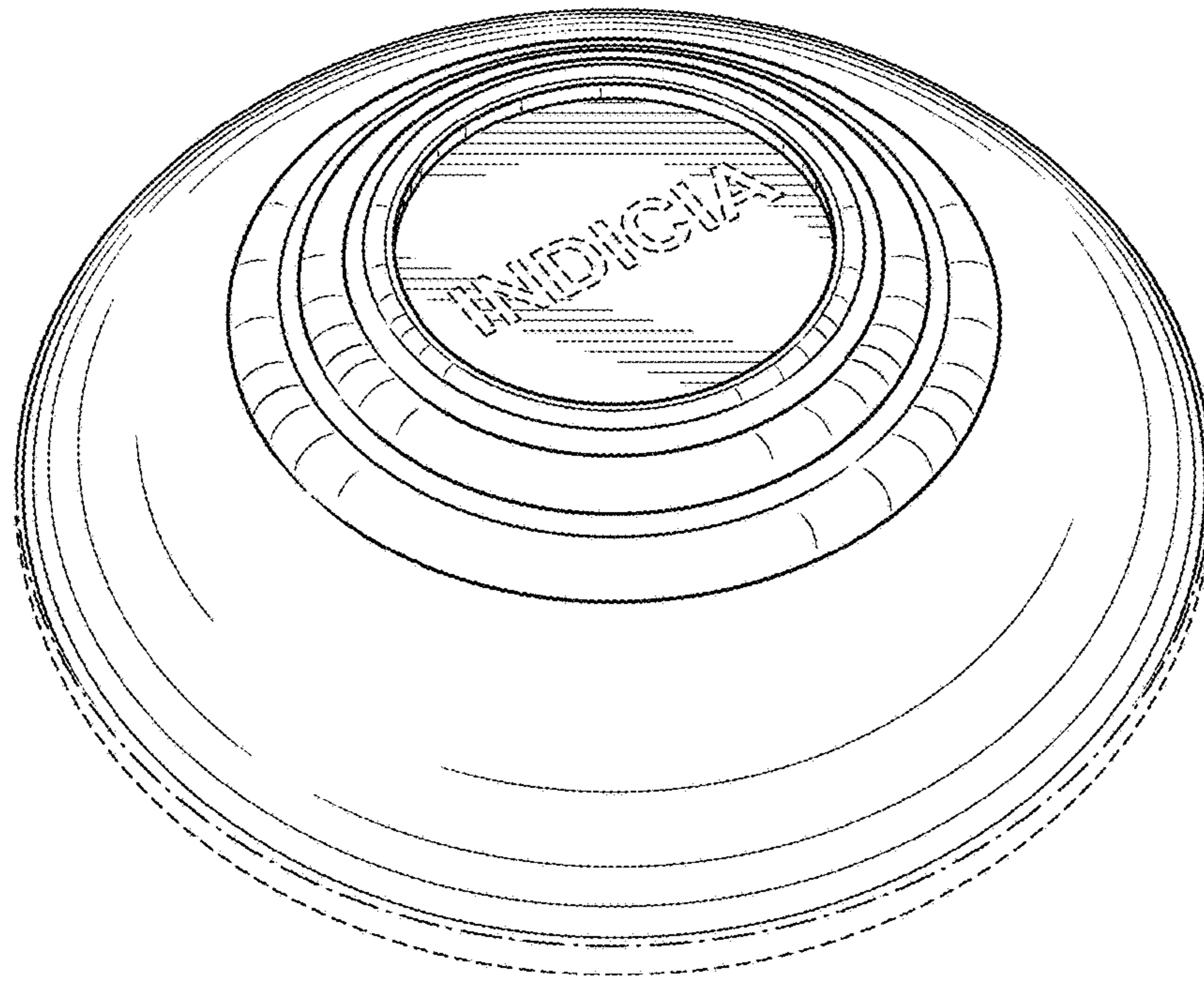


FIG. 1

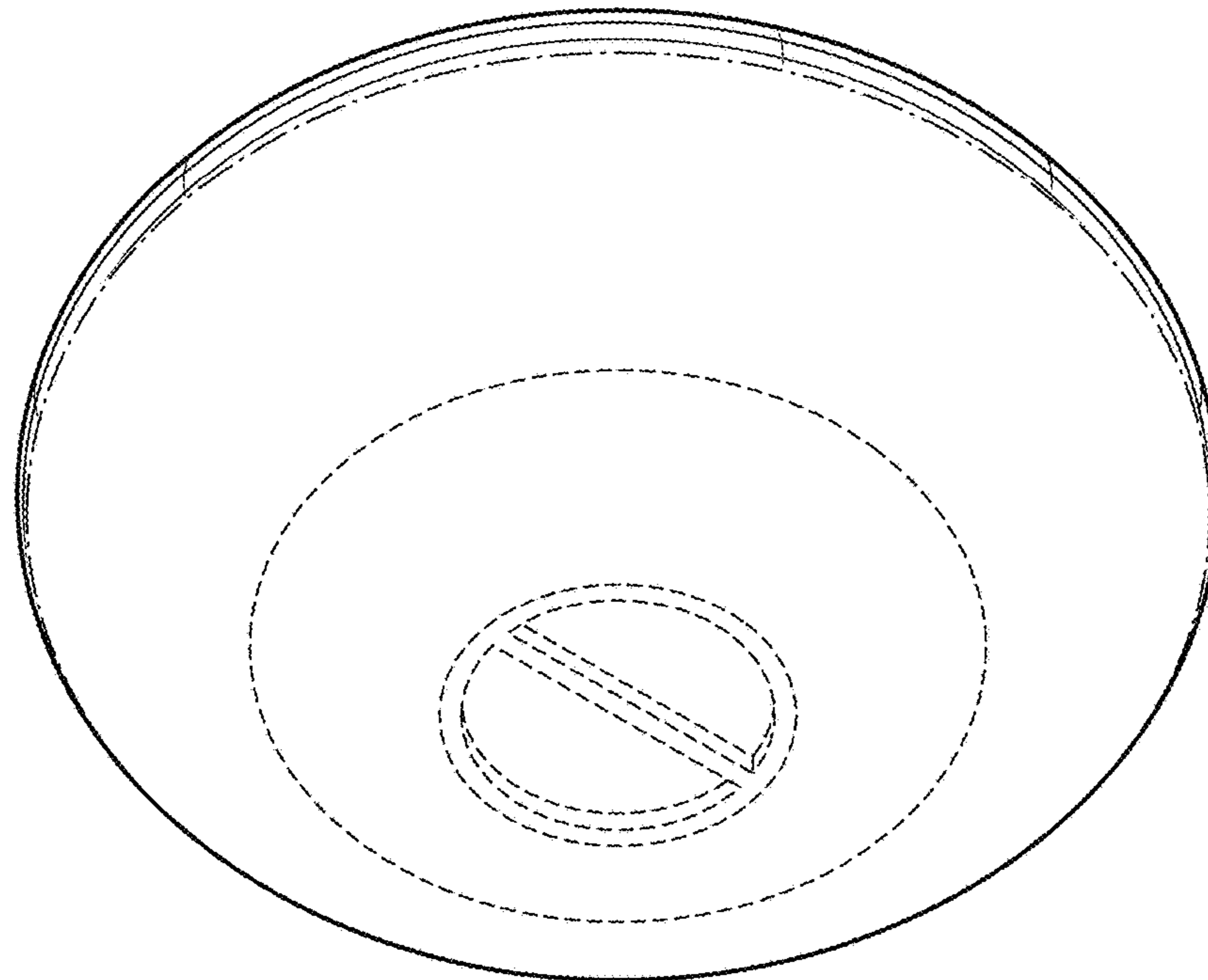


FIG. 2

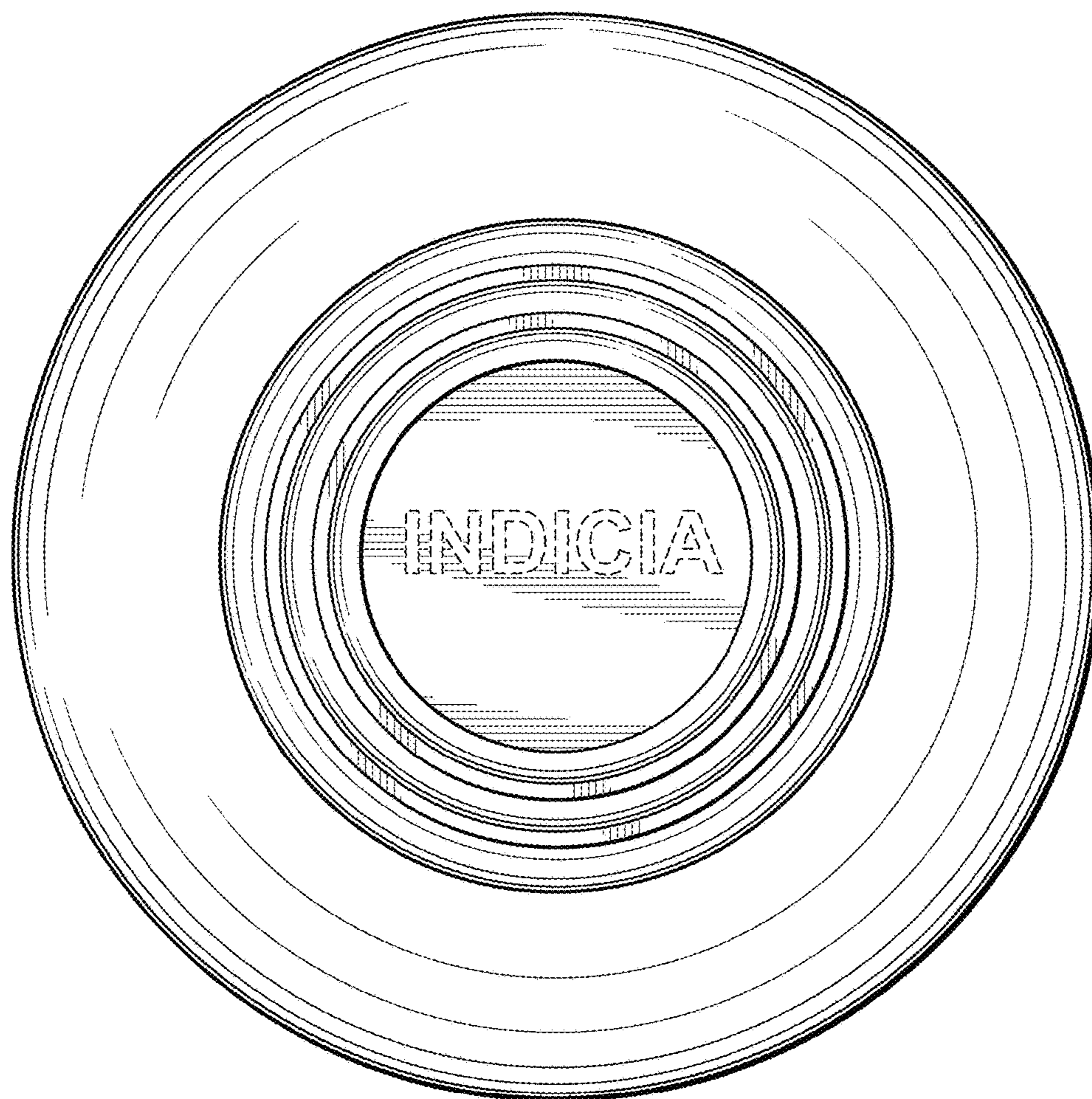


FIG. 3

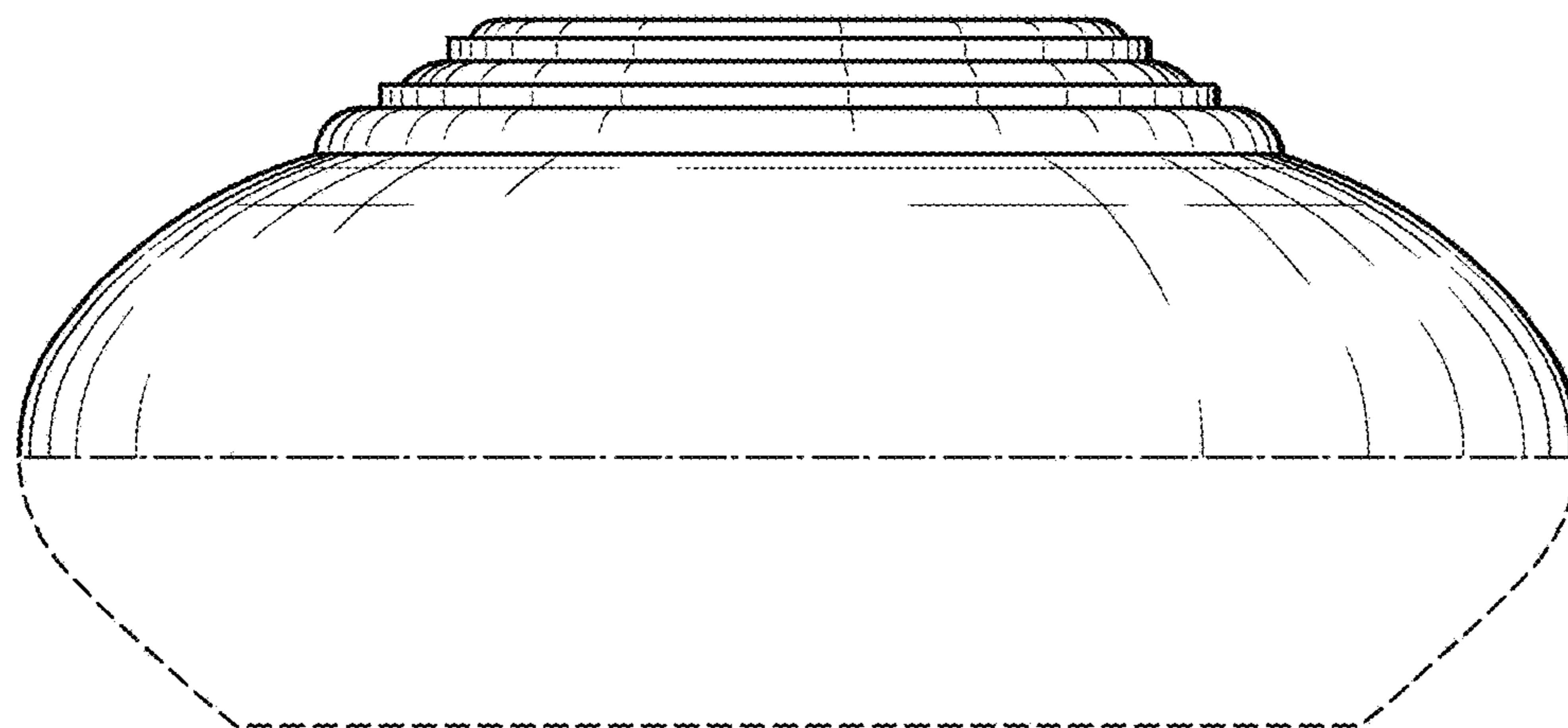


FIG. 4

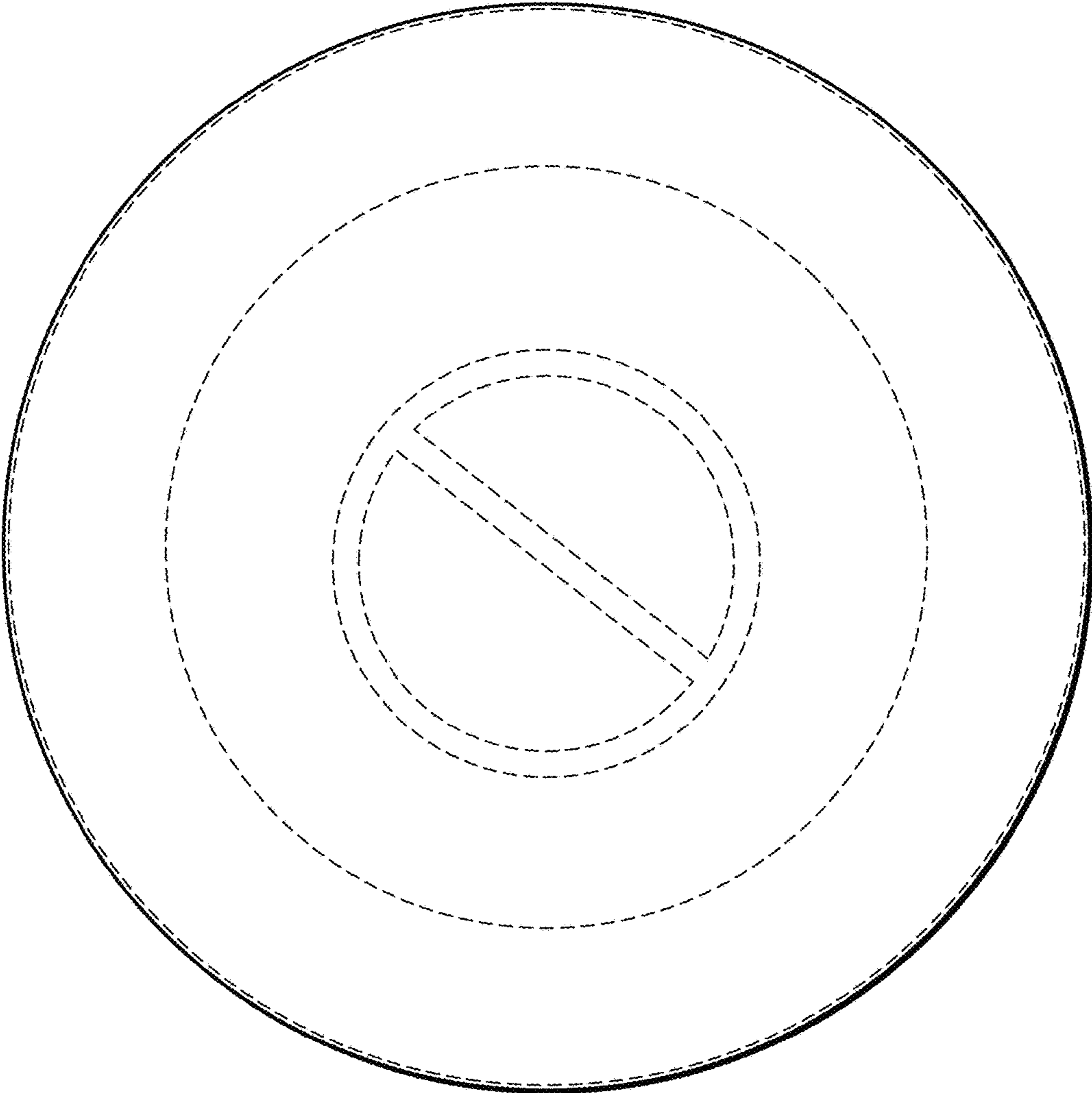


FIG. 5

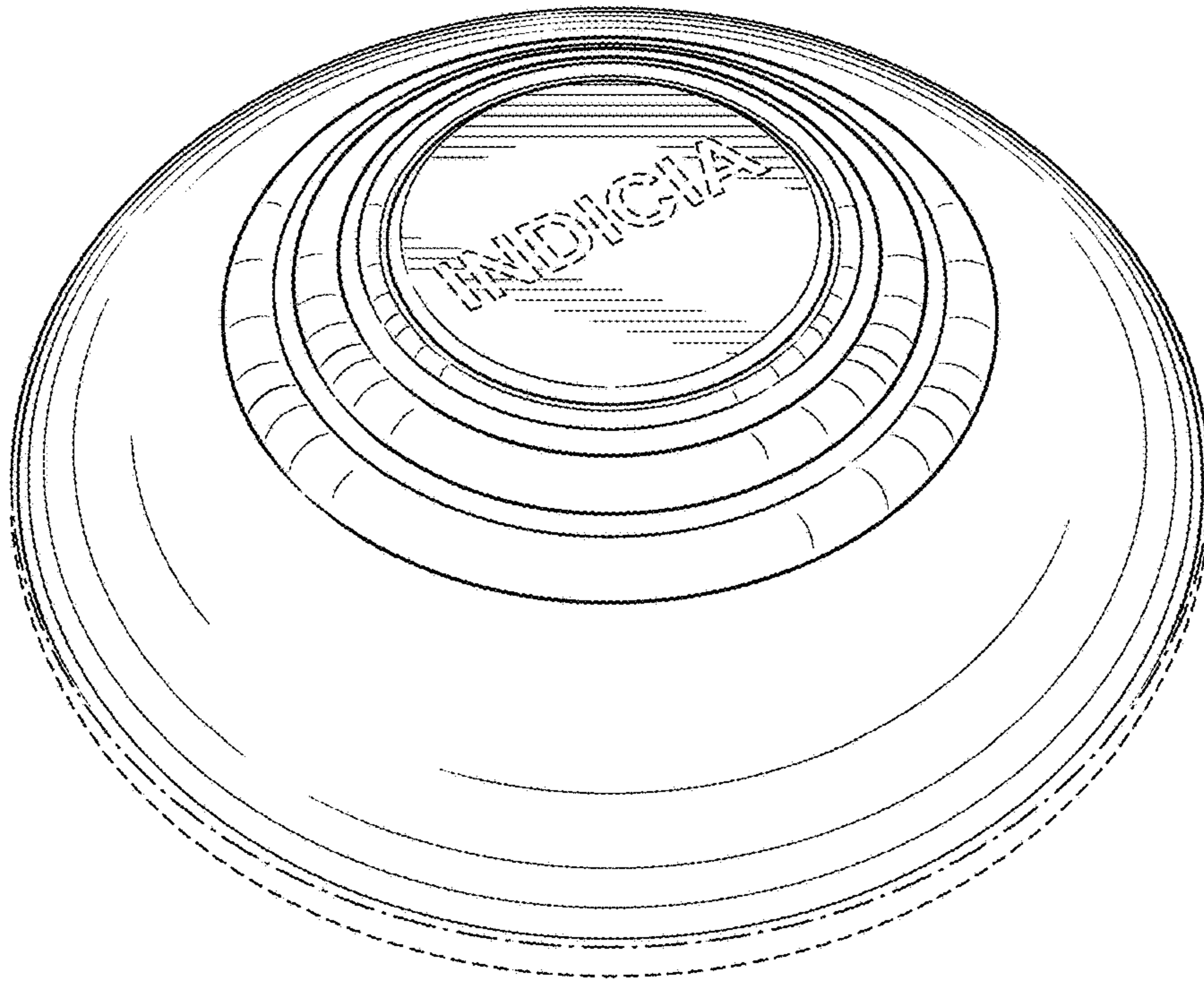


FIG. 6

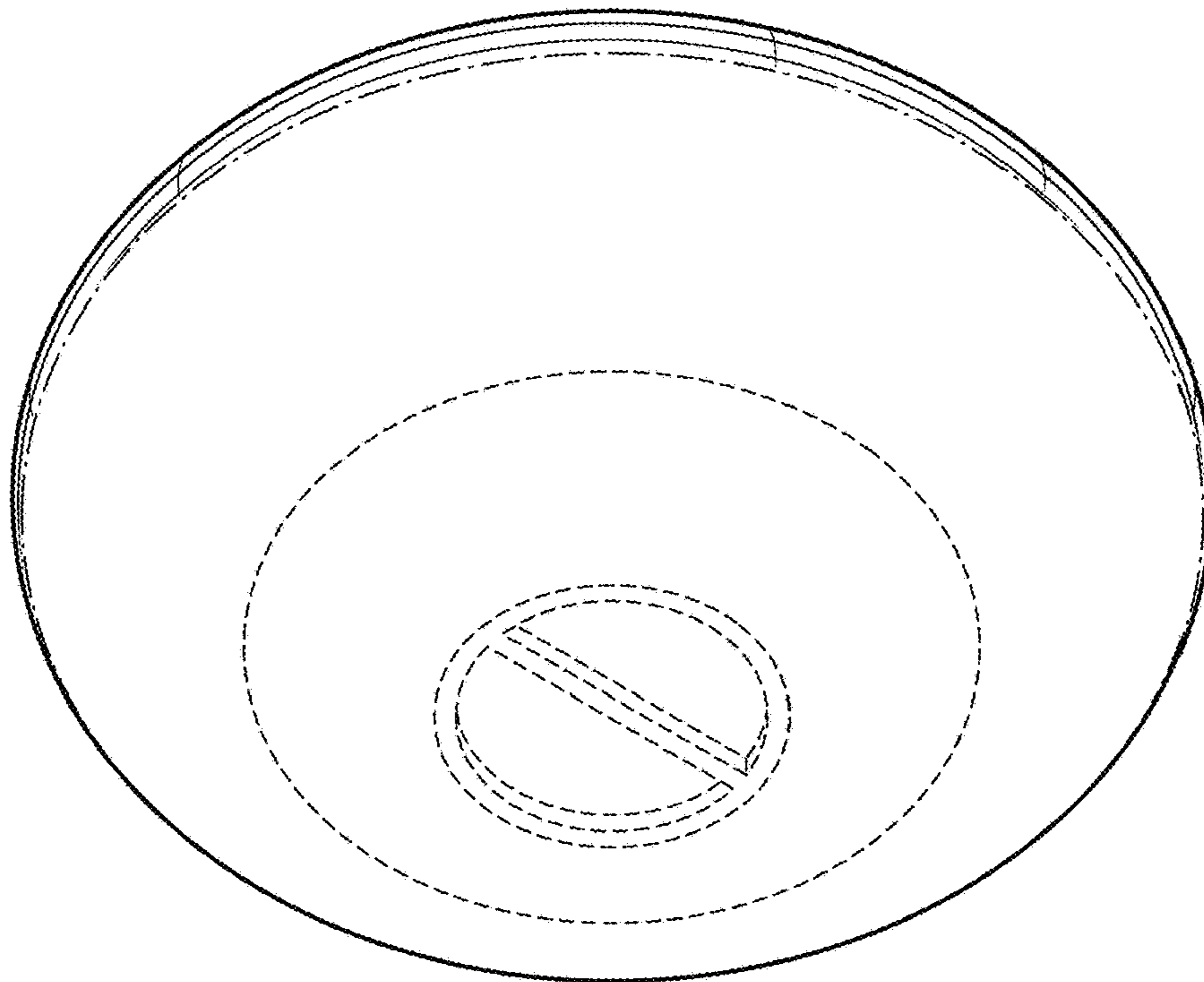


FIG. 7

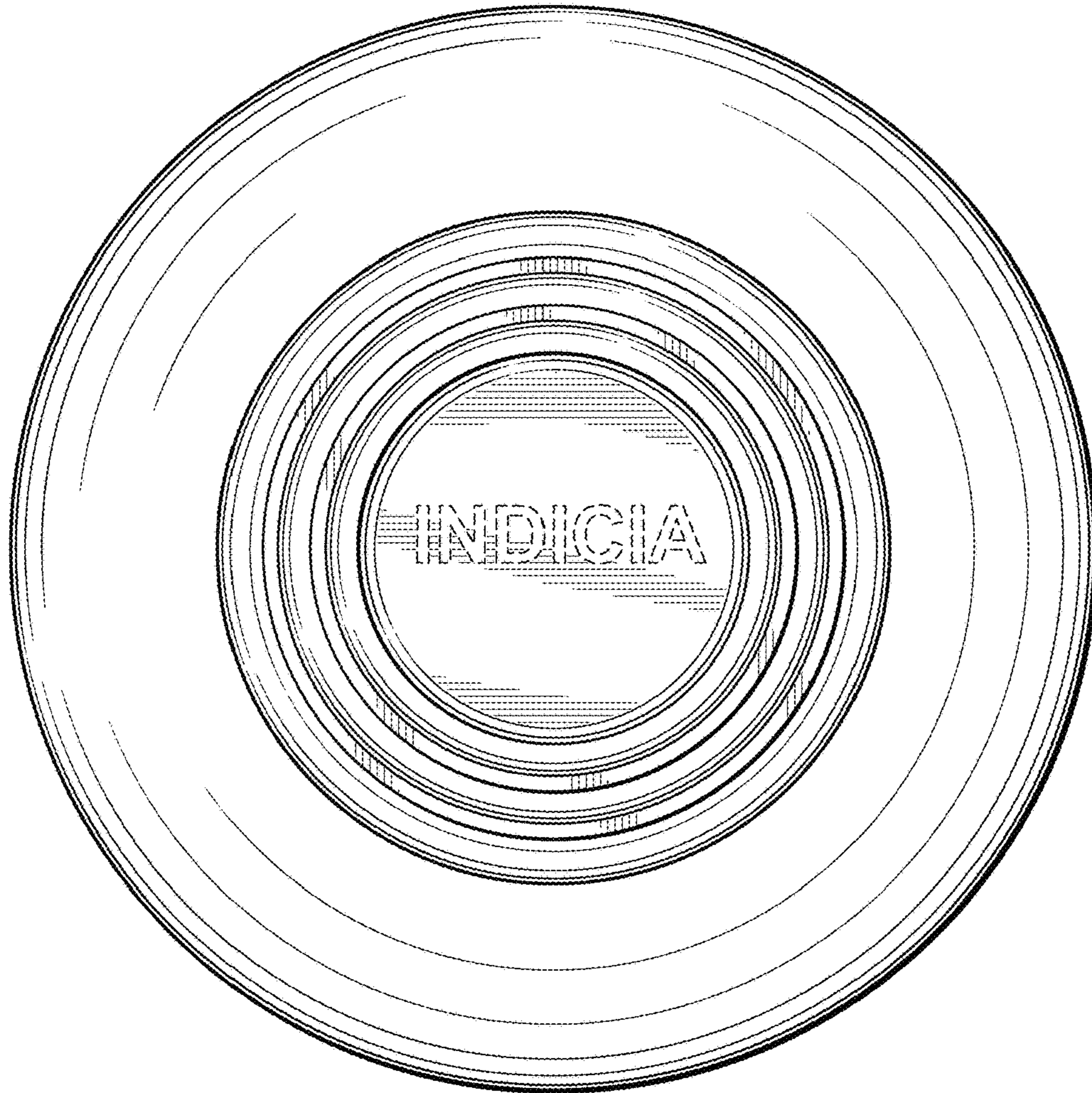


FIG. 8

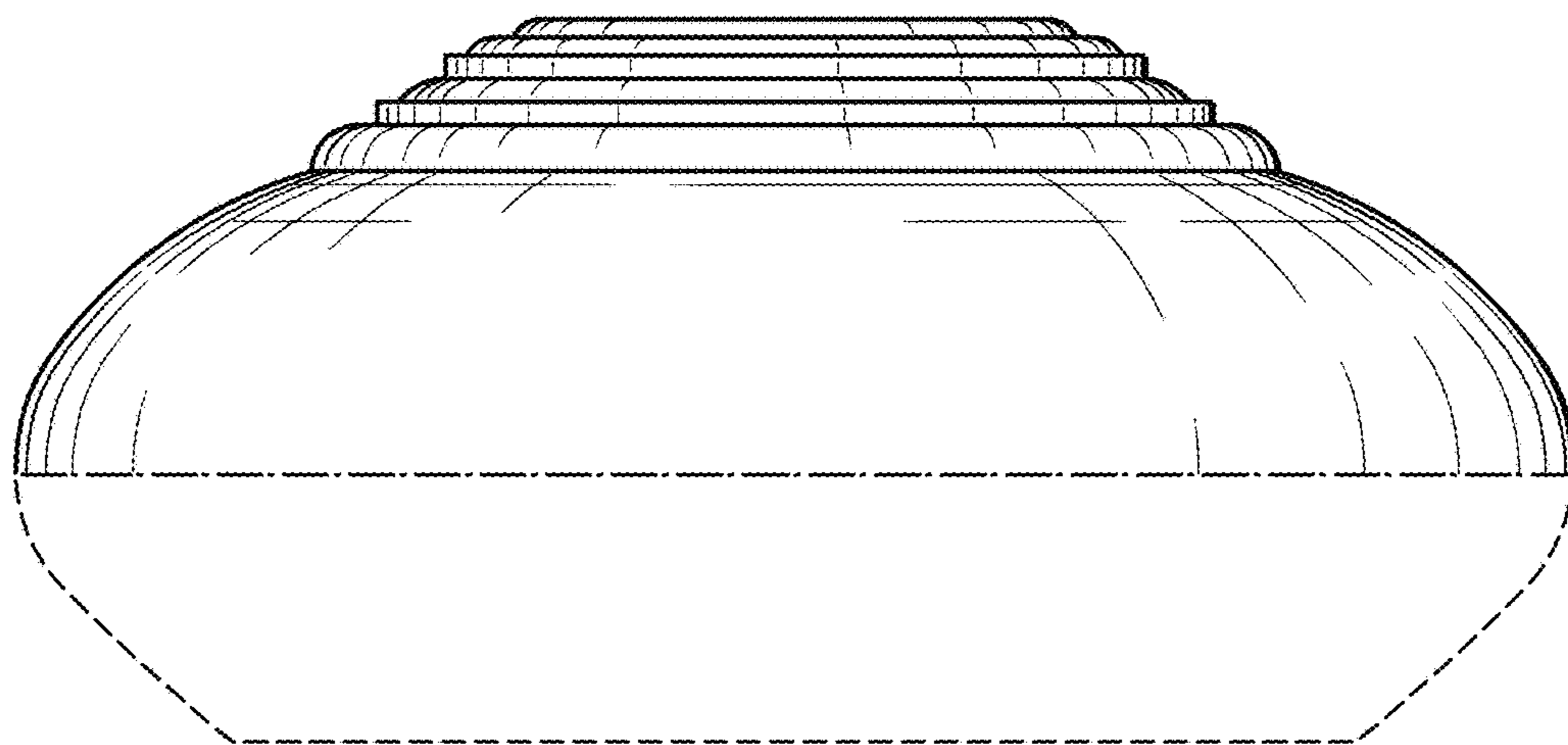


FIG. 9