



US00D856628S

(12) **United States Design Patent** (10) **Patent No.:** **US D856,628 S**  
**Molnar et al.** (45) **Date of Patent:** **\*\* Aug. 13, 2019**

(54) **MOUNTING BAR ASSEMBLY**

(71) Applicant: **Crown Equipment Corporation**, New Bremen, OH (US)

(72) Inventors: **Christian Molnar**, Forstinning (DE); **Luying Sun**, Munich (DE); **James V. Kraimer**, Haimhausen (DE)

(73) Assignee: **Crown Equipment Corporation**, New Bremen, OH (US)

(\*\*) Term: **15 Years**

(21) Appl. No.: **29/599,392**

(22) Filed: **Apr. 3, 2017**

(51) **LOC (12) Cl.** ..... **12-05**

(52) **U.S. Cl.**  
USPC ..... **D34/35; D8/315**

(58) **Field of Classification Search**  
USPC ..... D34/28–30, 33–38; D23/304, 303; D8/303, 363, 300, 307, 311, 315–322, D8/380, 499; 4/576.1, 559; D12/172, D12/412, 414, 171, 190; D25/62, 68, 69; D6/549, 550; 224/309; D7/387, 393, D7/394, 213, 401.2  
CPC ..... B60K 37/04; B60K 37/06; A47K 10/04  
See application file for complete search history.

(56) **References Cited**

**U.S. PATENT DOCUMENTS**

D320,592 S \* 10/1991 Straka ..... D12/190  
5,245,144 A 9/1993 Stammen  
(Continued)

**FOREIGN PATENT DOCUMENTS**

CN 103922243 A 7/2014  
DE 9404515 U1 7/1994  
(Continued)

**OTHER PUBLICATIONS**

Christoph Erbel; International Search Report And Written Opinion; International Application No. PCT/US2017/016912; dated May 15, 2017; European Patent Office; Rijswijk, Netherlands.

(Continued)

*Primary Examiner* — Cynthia Ramirez

*Assistant Examiner* — Gino Colan

(74) *Attorney, Agent, or Firm* — Stevens & Showalter LLP

(57) **CLAIM**

The ornamental design for a mounting bar assembly, as shown and described.

**DESCRIPTION**

FIG. 1 is a perspective view of a first embodiment of a mounting bar assembly as seen from the bottom, front, and first sides;

FIG. 2 is a front elevational view thereof;

FIG. 3 is a rear elevational view thereof;

FIG. 4 is a first side elevational view thereof;

FIG. 5 is a second side elevational view thereof;

FIG. 6 is a top plan view thereof;

FIG. 7 is a bottom plan view thereof;

FIG. 8 is a perspective view of a second embodiment of a mounting bar assembly as seen from the bottom, front and first sides;

FIG. 9 is a front elevational view thereof;

FIG. 10 is a rear elevational view thereof;

FIG. 11 is a first side elevational view thereof;

FIG. 12 is a second side elevational view thereof;

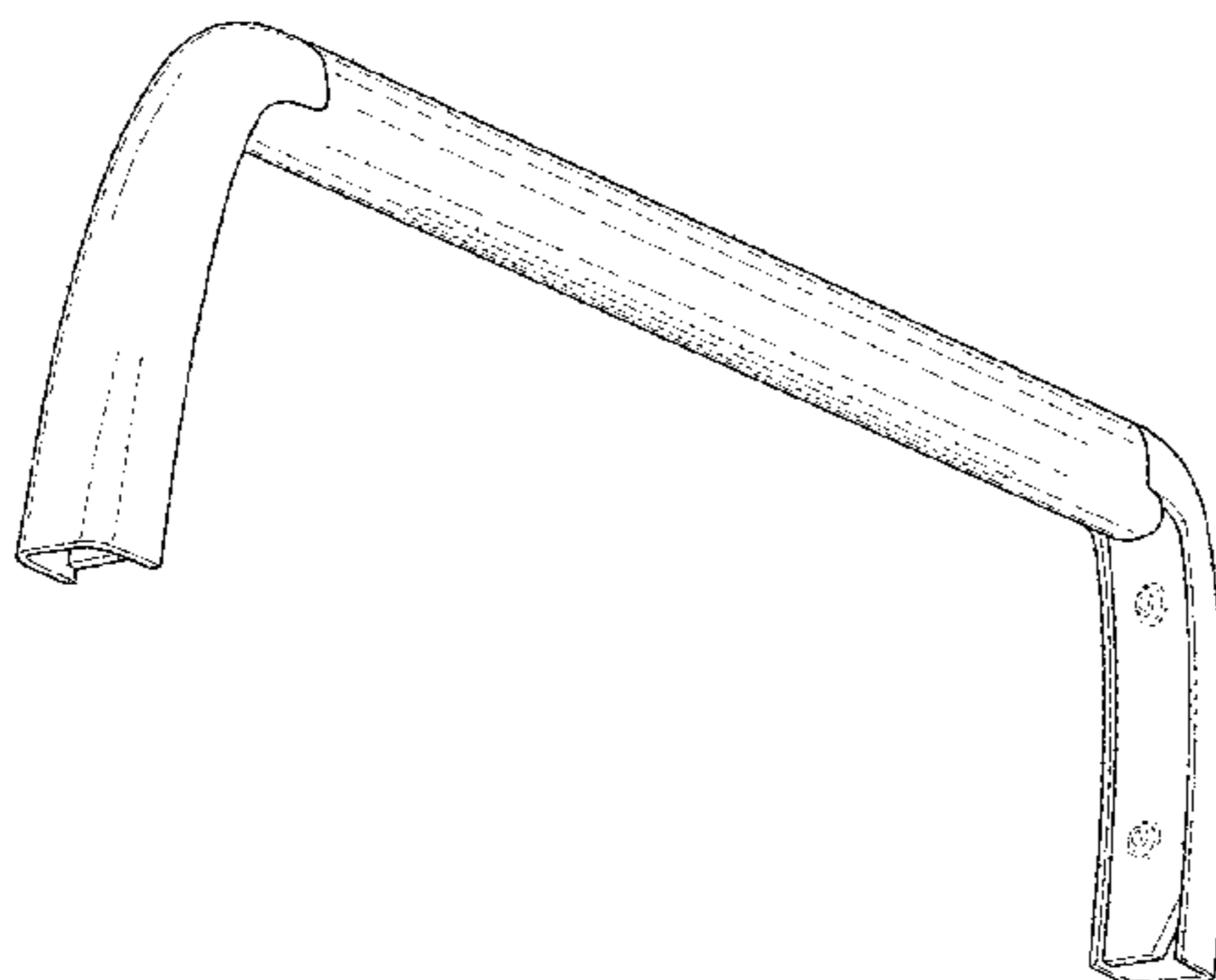
FIG. 13 is a top plan view thereof;

FIG. 14 is a bottom plan view thereof; and,

FIG. 15 is a representative view showing the environment of the mounting bar assembly of FIG. 1.

The broken lines within the mounting bar assembly shown in FIGS. 1, 7, 8, 14 and 15 are for the purpose of illustrating portions of the mounting bar assembly and form no part of the claimed design. The broken lines showing a forklift in FIG. 15 are for the purpose of illustrating environment and form no part of the claimed design.

**1 Claim, 9 Drawing Sheets**



(56)

**References Cited**

U.S. PATENT DOCUMENTS

5,636,776 A \* 6/1997 Rak ..... B60R 9/045  
224/309

5,683,063 A 11/1997 Seiders et al.  
6,113,047 A 9/2000 Wung et al.  
6,464,025 B1 10/2002 Koeper et al.  
6,561,469 B1 5/2003 Masuda et al.  
6,575,419 B1 6/2003 Masuda et al.  
6,883,625 B2 4/2005 Trego et al.  
6,929,224 B1 8/2005 Masuda et al.  
7,097,082 B2 8/2006 Wallaker  
D570,185 S \* 6/2008 Hanes ..... D8/315  
D571,184 S \* 6/2008 Ricereto ..... D8/316  
D573,868 S \* 7/2008 Ricereto ..... D8/315  
D579,534 S \* 10/2008 Genord ..... D23/304  
7,641,020 B2 1/2010 Lohmann  
D695,206 S \* 12/2013 Eriksson ..... D12/414  
8,646,826 B2 2/2014 Wihinen et al.  
D717,631 S \* 11/2014 Elbl ..... D6/550  
D717,632 S \* 11/2014 Elbl ..... D6/550  
D719,008 S \* 12/2014 Han ..... D8/315  
9,095,946 B2 8/2015 Kotula et al.  
D823,229 S \* 7/2018 Chiang ..... D12/412

2003/0173476 A1 9/2003 Masuda et al.  
2006/0243517 A1 11/2006 Lohmann  
2007/0262221 A1 11/2007 Schroder  
2012/0235804 A1 9/2012 Gilbride et al.

FOREIGN PATENT DOCUMENTS

DE 10057402 A1 5/2001  
DE 102010026383 A1 1/2012  
EP 655413 A1 5/1995  
EP 717005 A1 6/1996  
EP 1205429 A1 5/2002  
EP 1690820 A1 8/2006  
EP 1857404 A3 6/2008  
EP 2384955 A2 11/2011  
WO 9625300 A1 8/1996

OTHER PUBLICATIONS

Related U.S. Appl. No. 15/427,360; entitled "Mounting Bar Assembly for a Materials Handling Vehicle;" filed Feb. 2, 2017 by Christian Molnar.

\* cited by examiner

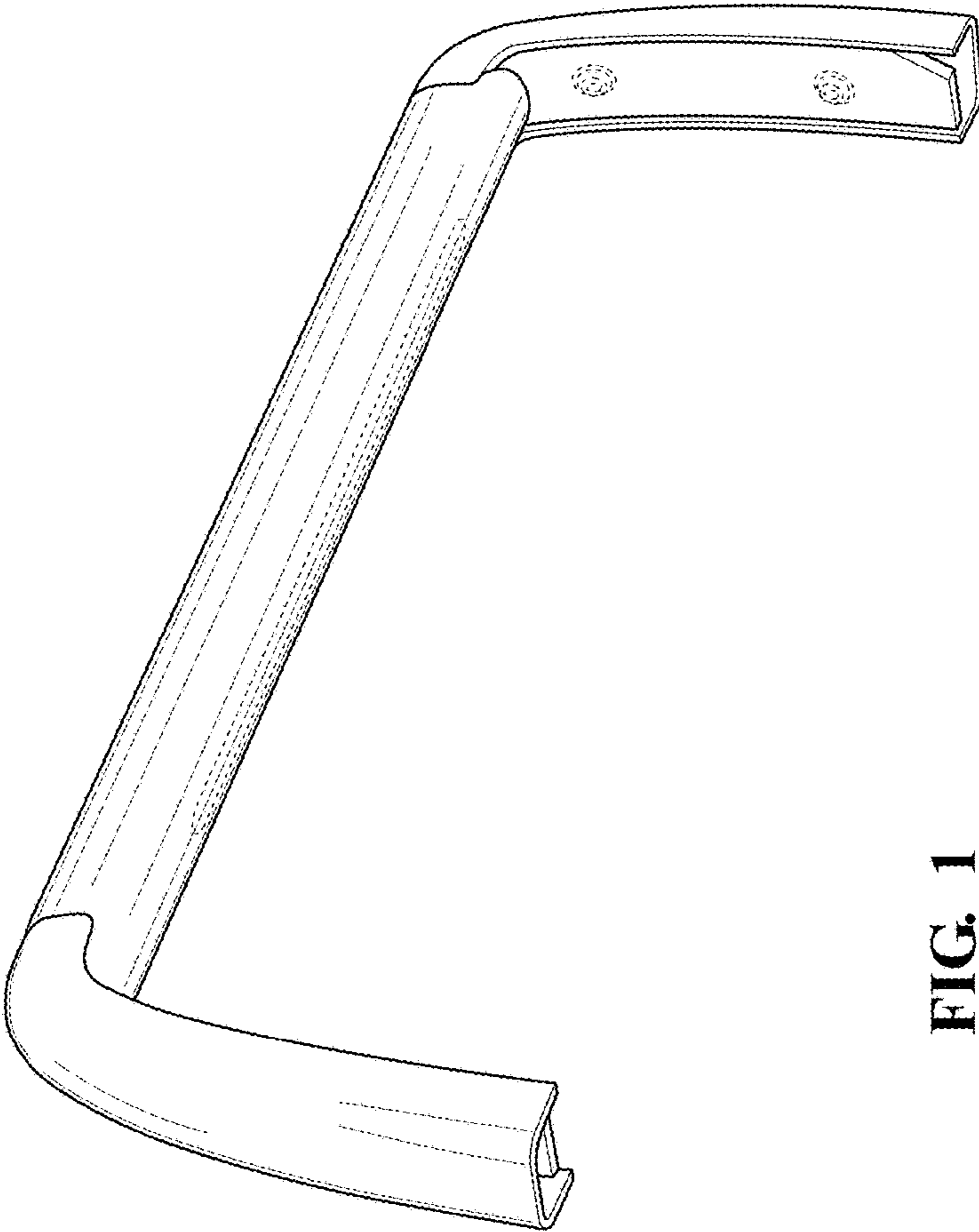


FIG. 1

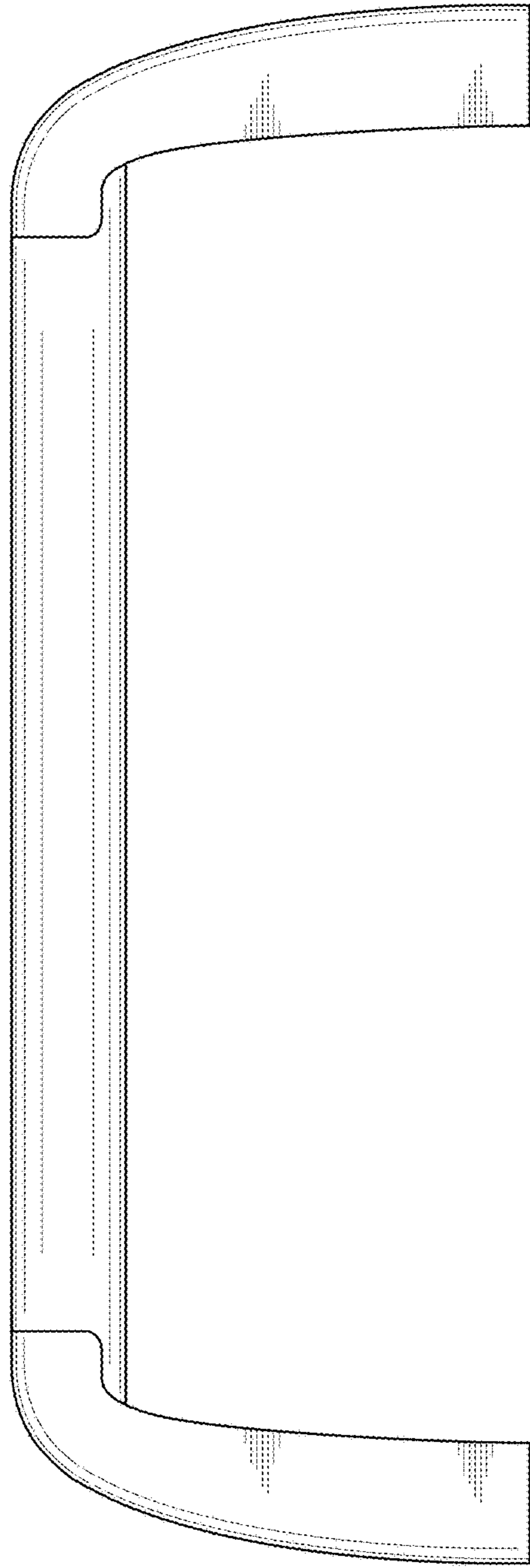


FIG. 2

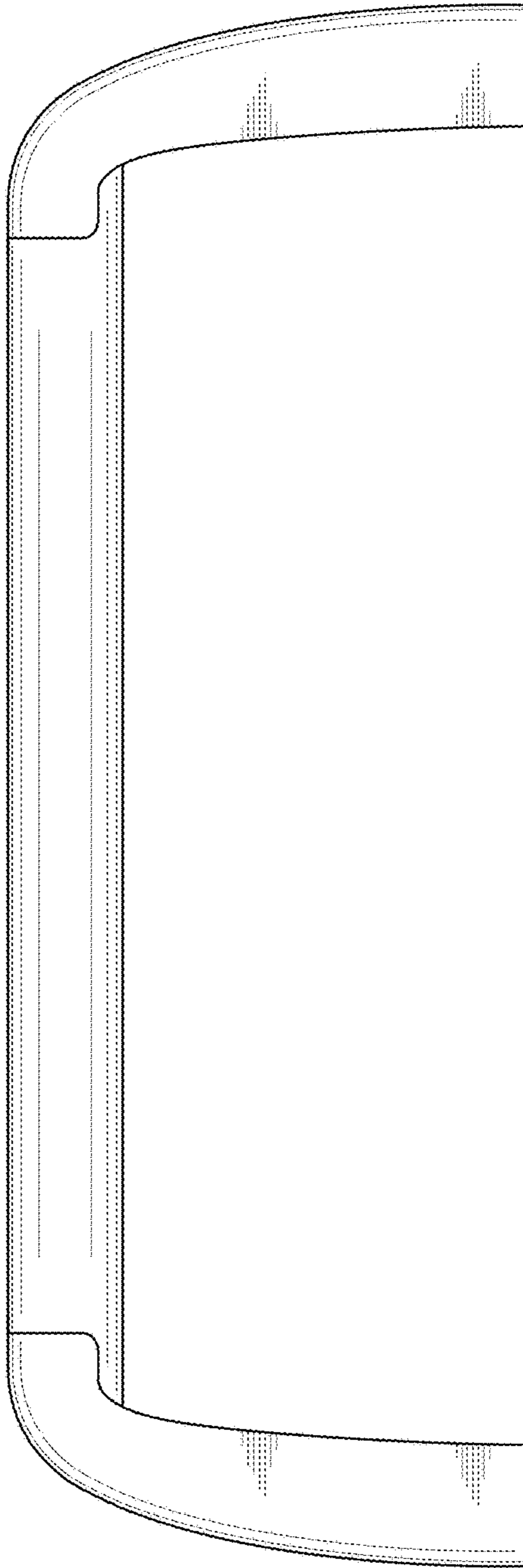


FIG. 3

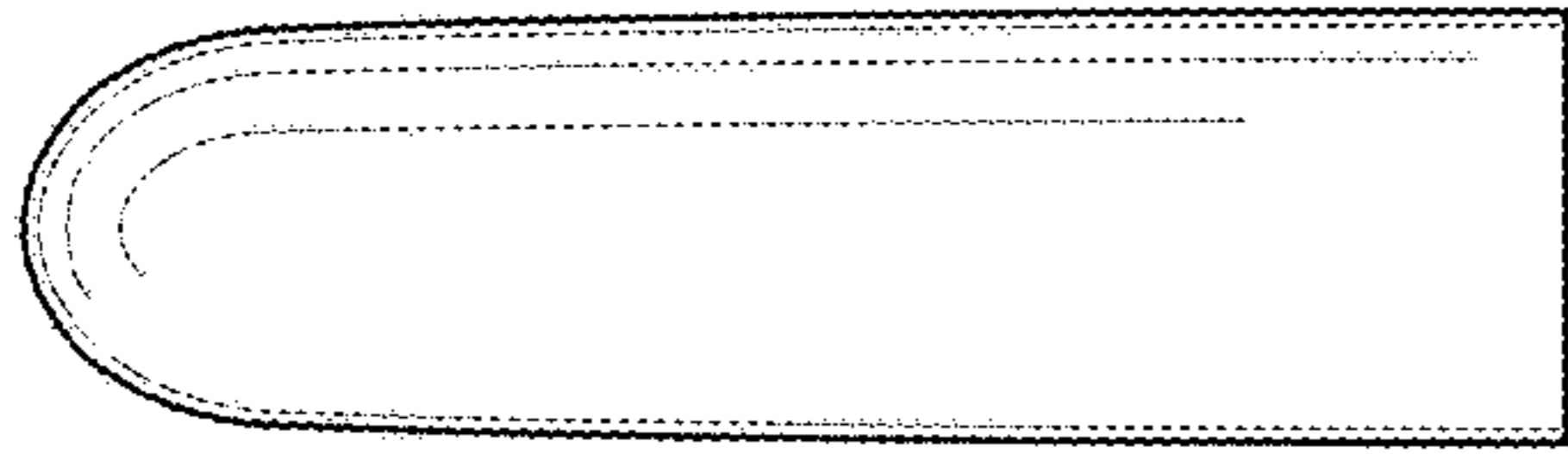


FIG. 4

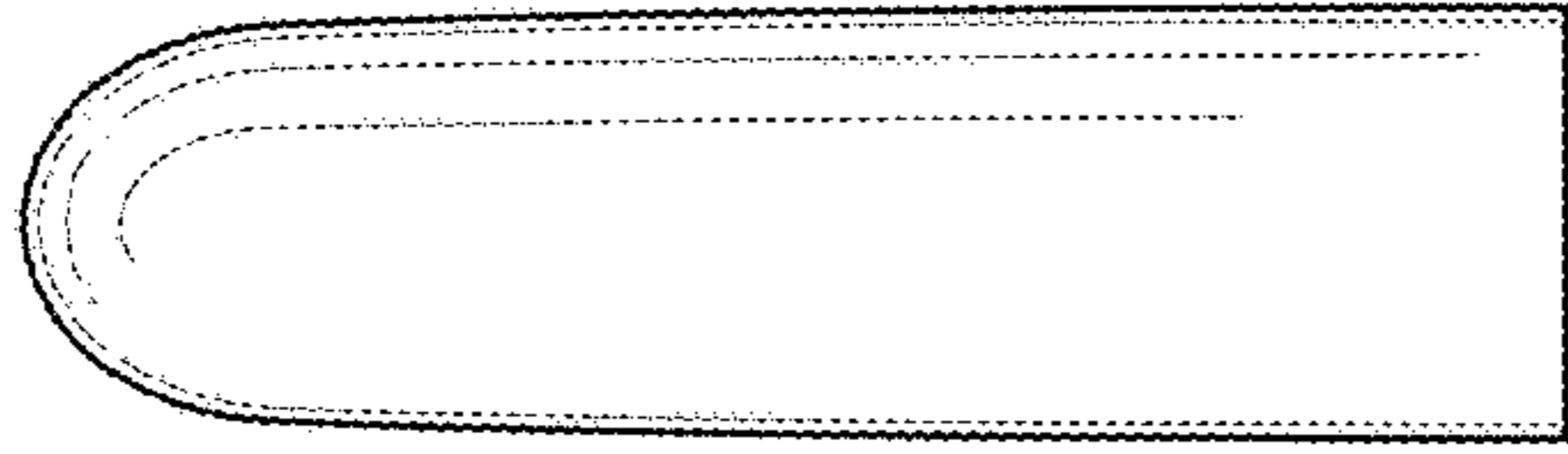


FIG. 5

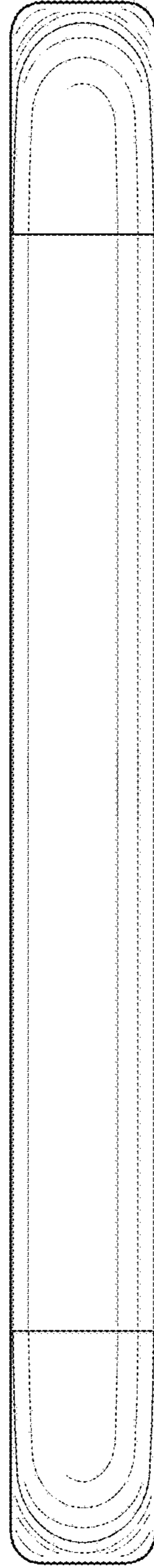


FIG. 6

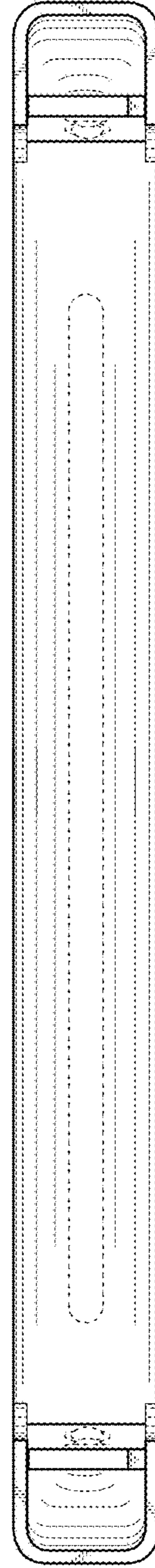


FIG. 7

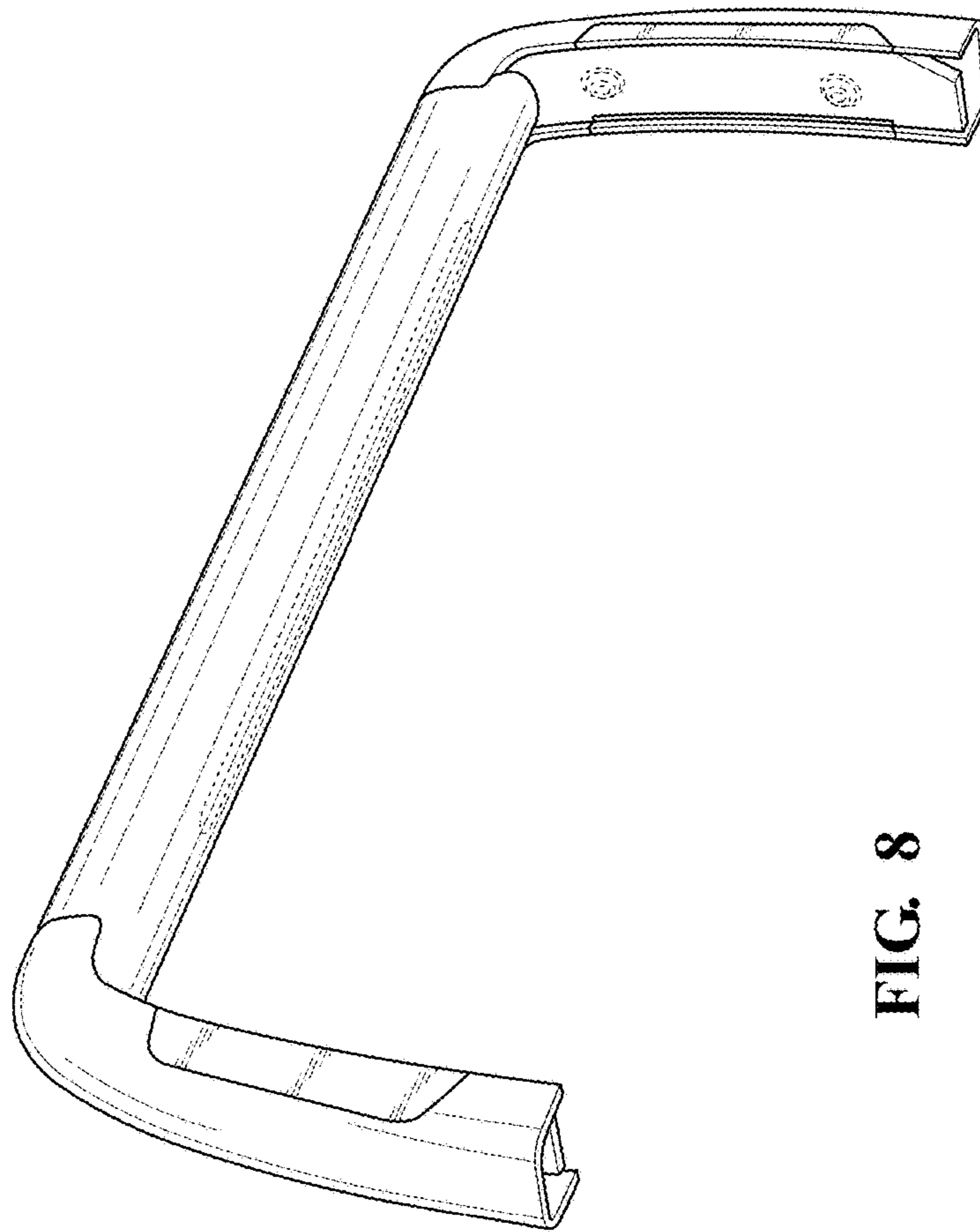


FIG. 8

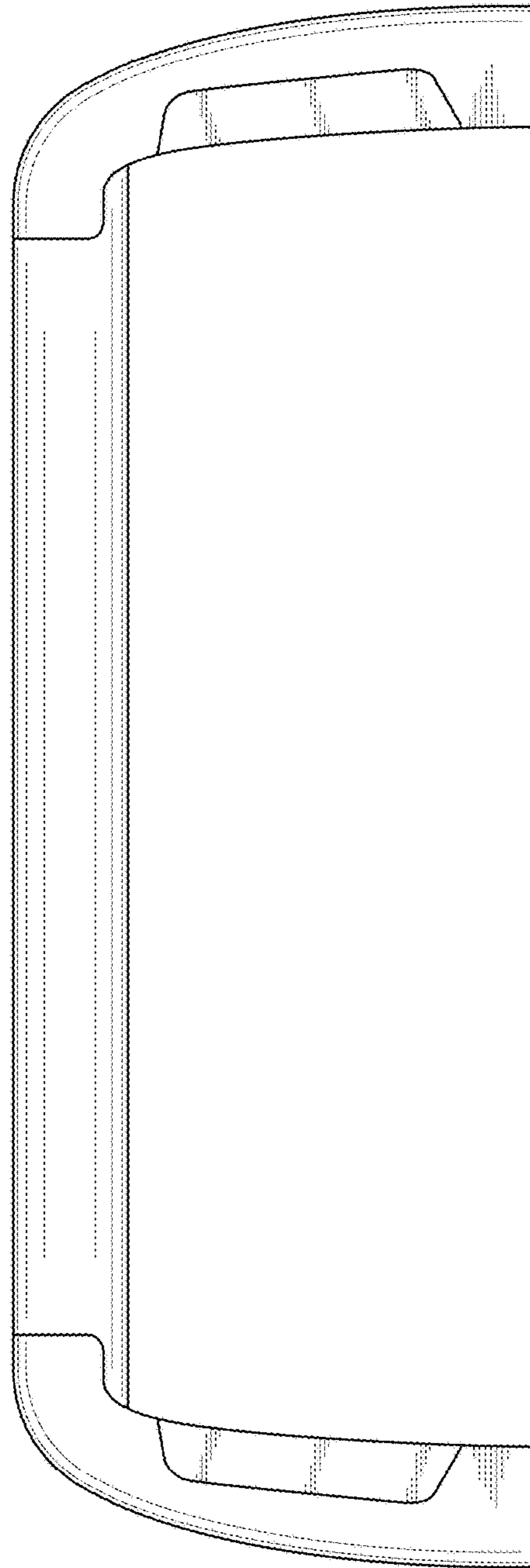


FIG. 9



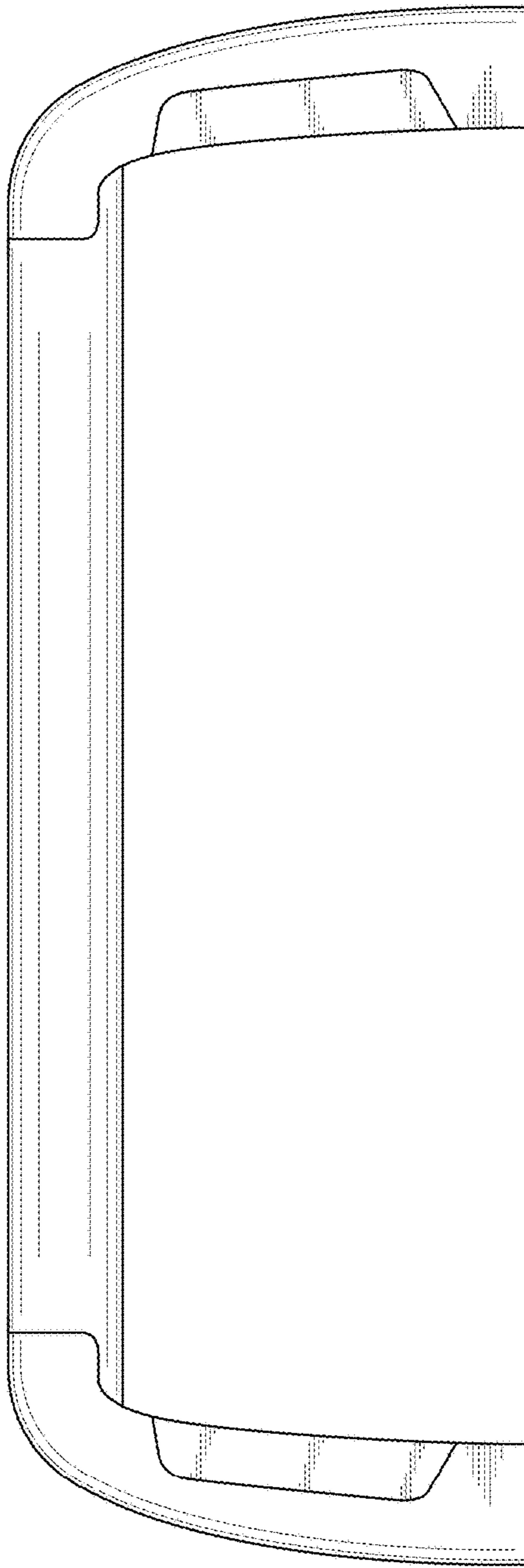


FIG. 10

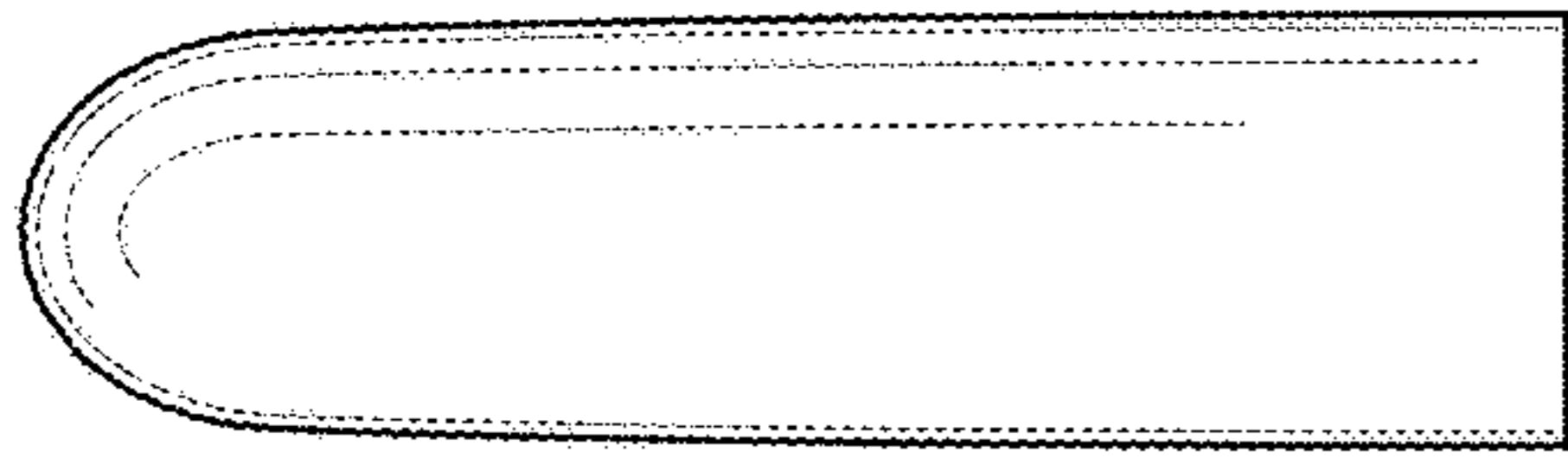


FIG. 11

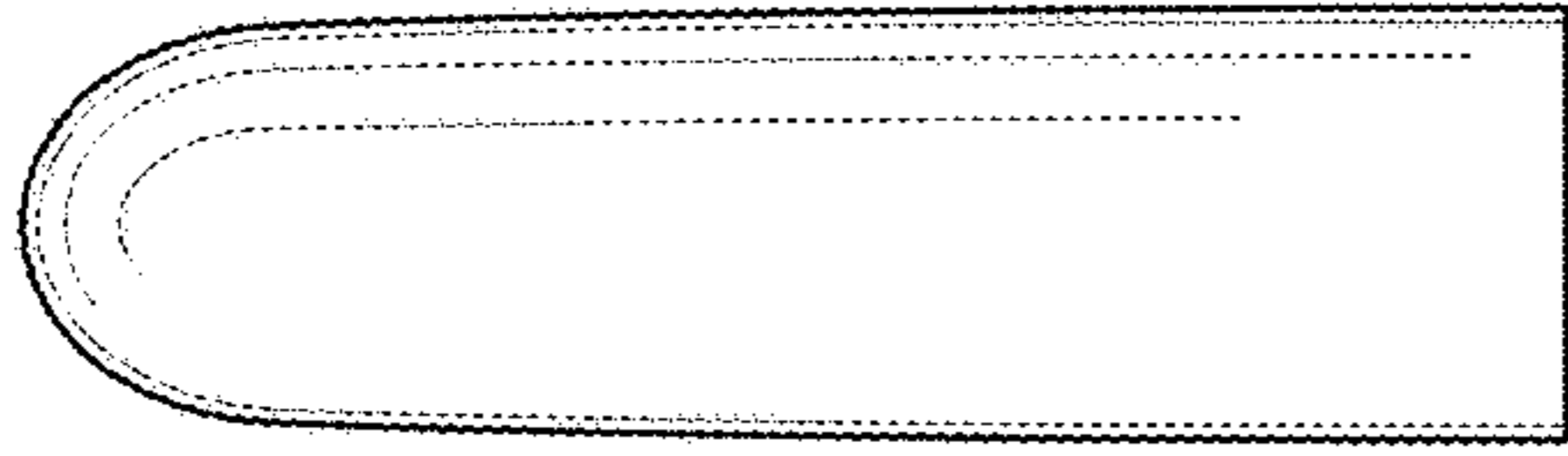


FIG. 12

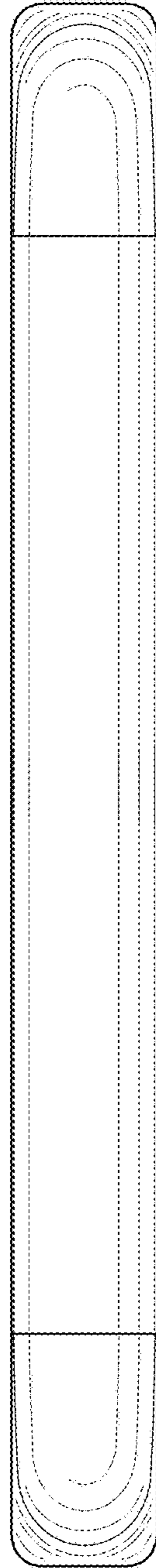


FIG. 13

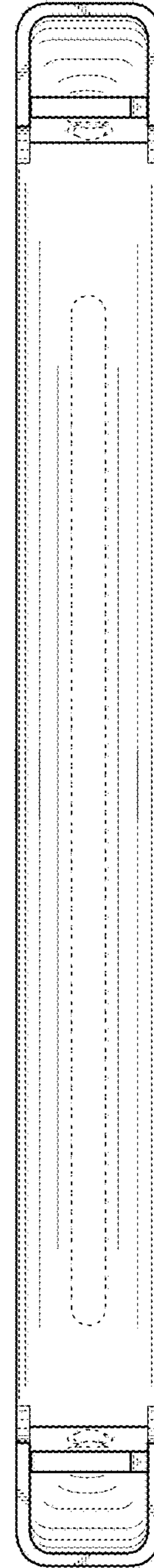


FIG. 14

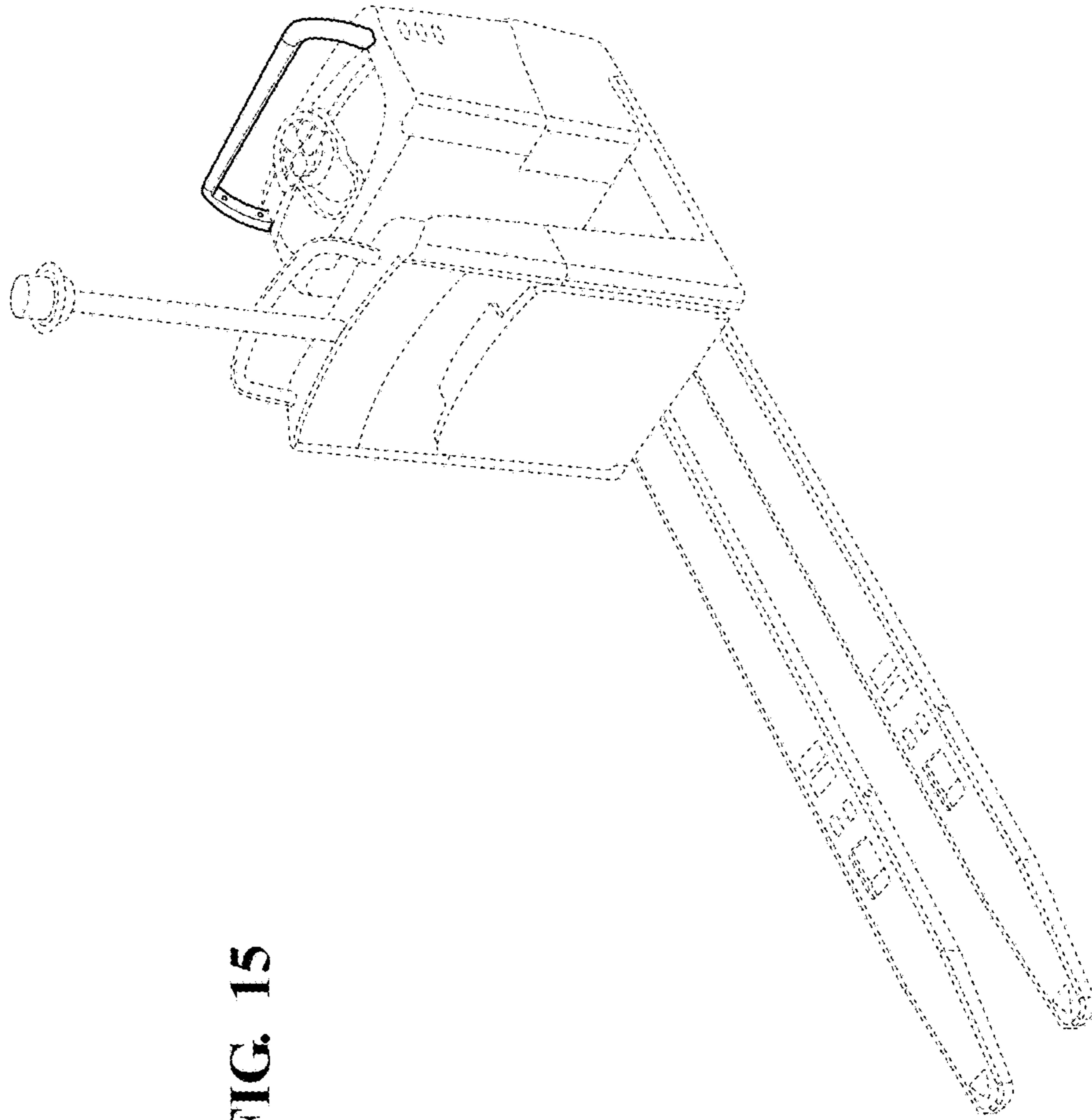


FIG. 15