



US00D856627S

(12) **United States Design Patent** (10) **Patent No.:** **US D856,627 S**
Qichen et al. (45) **Date of Patent:** **** Aug. 13, 2019**

(54) **PALLET TRUCK**
 (71) Applicant: **Big Lift, LLC**, Lombard, IL (US)
 (72) Inventors: **Ma Qichen**, Hangzhou (CN); **Xu Hongpeng**, Hangzhou (CN); **Liu Shunli**, Hangzhou (CN); **Lin Zuqian**, Hangzhou (CN); **Xu Minghui**, Hangzhou (CN)
 (73) Assignee: **BIG LIFT, LLC**, Lombard, IL (US)
 (**) Term: **15 Years**

D692,202 S 10/2013 Feiquan et al.
 8,752,657 B2 6/2014 Newell
 8,833,736 B2 9/2014 Feiquan et al.
 D739,112 S 9/2015 He et al.
 D754,415 S 4/2016 Liu et al.
 D765,939 S 9/2016 Liu et al.
 D767,236 S 9/2016 Meng et al.
 9,475,513 B2 10/2016 Liu et al.
 D770,719 S 11/2016 He et al.
 D798,524 S * 9/2017 Meng D34/34
 D799,780 S * 10/2017 Meng D34/34
 (Continued)

(21) Appl. No.: **29/640,033**
 (22) Filed: **Mar. 12, 2018**

Related U.S. Application Data

(62) Division of application No. 29/582,548, filed on Oct. 28, 2016, now Pat. No. Des. 824,633.
 (51) **LOC (12) Cl.** **12-05**
 (52) **U.S. Cl.**
 USPC **D34/34; D34/28**
 (58) **Field of Classification Search**
 USPC D34/34, 28
 CPC ... B62B 3/0612; B62B 3/0618; B62B 5/0069;
 B62B 5/0438; B62B 2203/20; B66F 9/22;
 B66F 9/085; B66F 9/186
 See application file for complete search history.

References Cited

U.S. PATENT DOCUMENTS

4,287,959 A 9/1981 Inman
 4,577,463 A 3/1986 Kedem
 D408,958 S 4/1999 Schneider
 D419,741 S 1/2000 Johansson
 6,260,646 B1 7/2001 Fernandez et al.
 D530,878 S 10/2006 Ruppert et al.
 7,641,011 B2 1/2010 Fridlington, Jr. et al.
 8,540,213 B2 9/2013 Feiquan et al.

OTHER PUBLICATIONS

Website for Shanghai Noblelift Co. Ltd. Guangzhou Subsidiary
 "Semi-electric Pallet Truck Spt" <http://gdnoblift.en.busytrade.com/products/info/1904267/Semi-electric-Pallet-Truck-Spt.html>, accessed Jan. 13, 2012, (4 pages).

Primary Examiner — Cynthia Ramirez
 (74) *Attorney, Agent, or Firm* — Cook Alex Ltd.

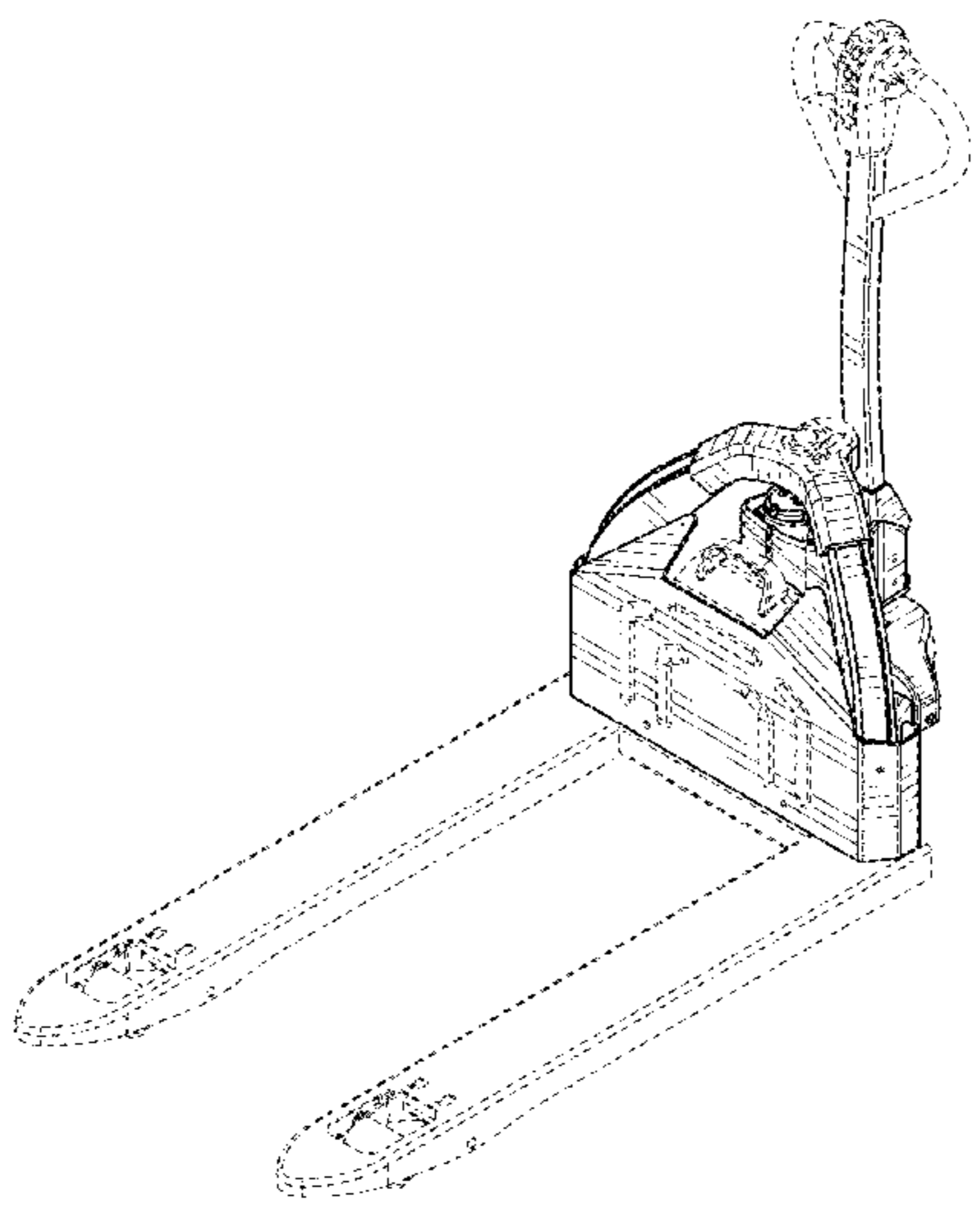
CLAIM

(57) We claim the ornamental design for a pallet truck, as shown and described.

DESCRIPTION

FIG. 1 is a front left perspective view of a pallet truck showing our new design;
 FIG. 2 is a front right perspective view thereof;
 FIG. 3 is a rear left perspective view thereof;
 FIG. 4 is a rear elevational view thereof;
 FIG. 5 is a right side elevational view thereof;
 FIG. 6 is a front elevational view thereof,
 FIG. 7 is a left side elevational view thereof;
 FIG. 8 is a top plan view thereof; and,
 FIG. 9 is a bottom plan view thereof.
 The broken lines shown in the figures are included for the purpose of illustrating portions of the pallet truck and form no part of the claimed design.

1 Claim, 6 Drawing Sheets



(56)

References Cited

U.S. PATENT DOCUMENTS

D801,616 S	*	10/2017	Qichen	D34/28
D802,243 S		11/2017	Qichen et al.	
D805,712 S		12/2017	Qichen et al.	
D819,293 S	*	5/2018	Qichen	D34/34
D819,923 S	*	6/2018	Qichen	D34/34
D824,633 S	*	7/2018	Qichen	D34/34

* cited by examiner

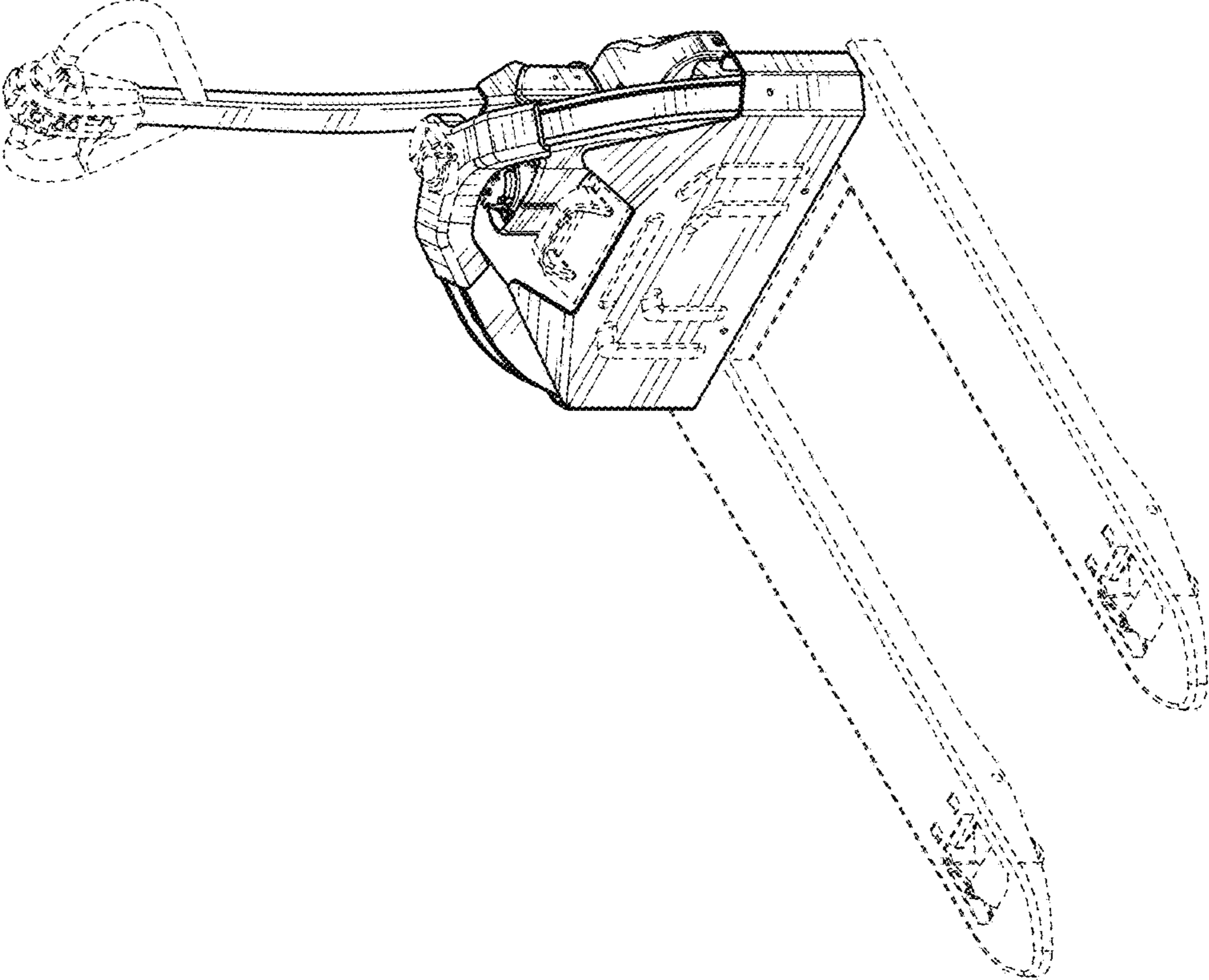


FIG. 1

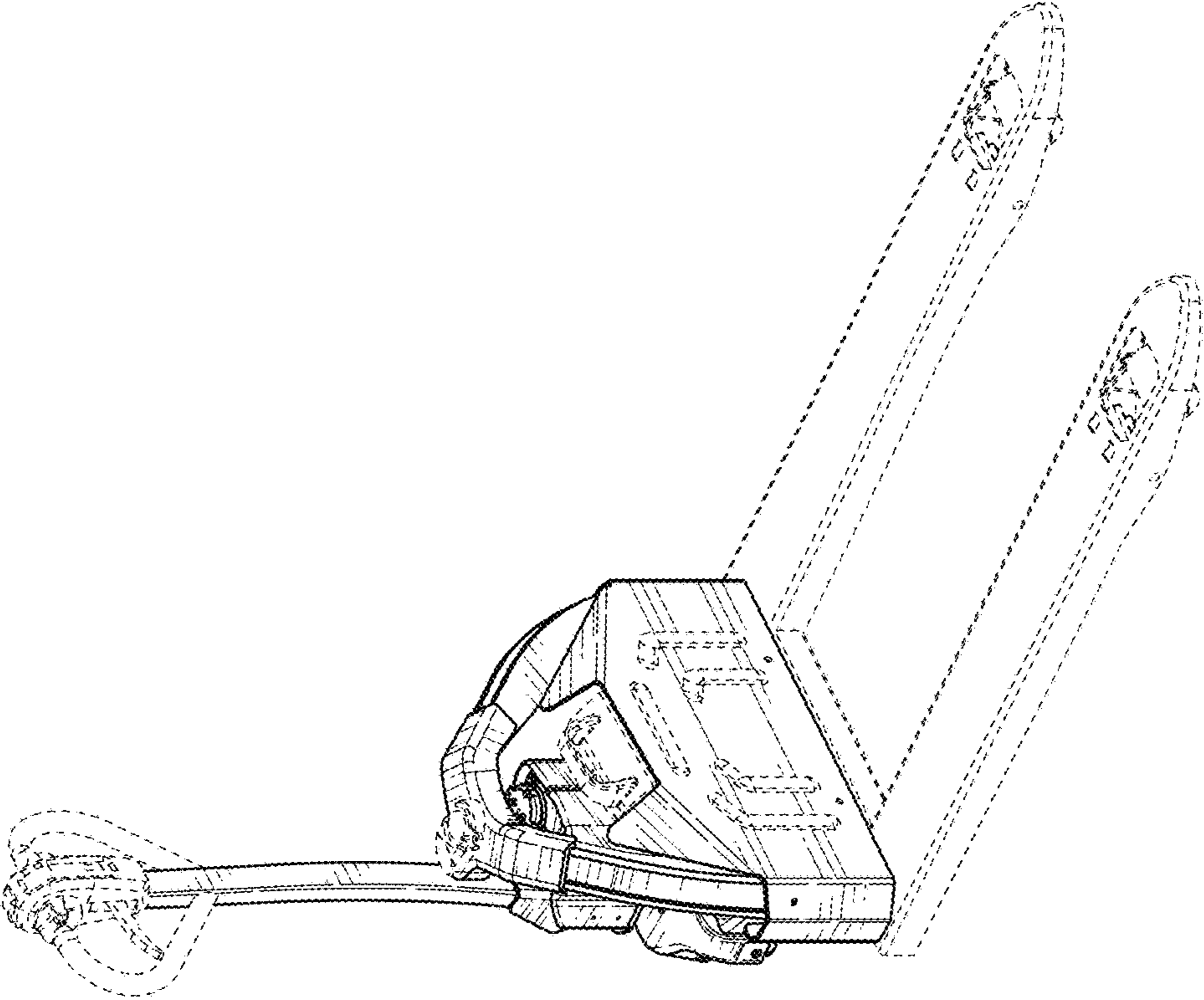


FIG. 2

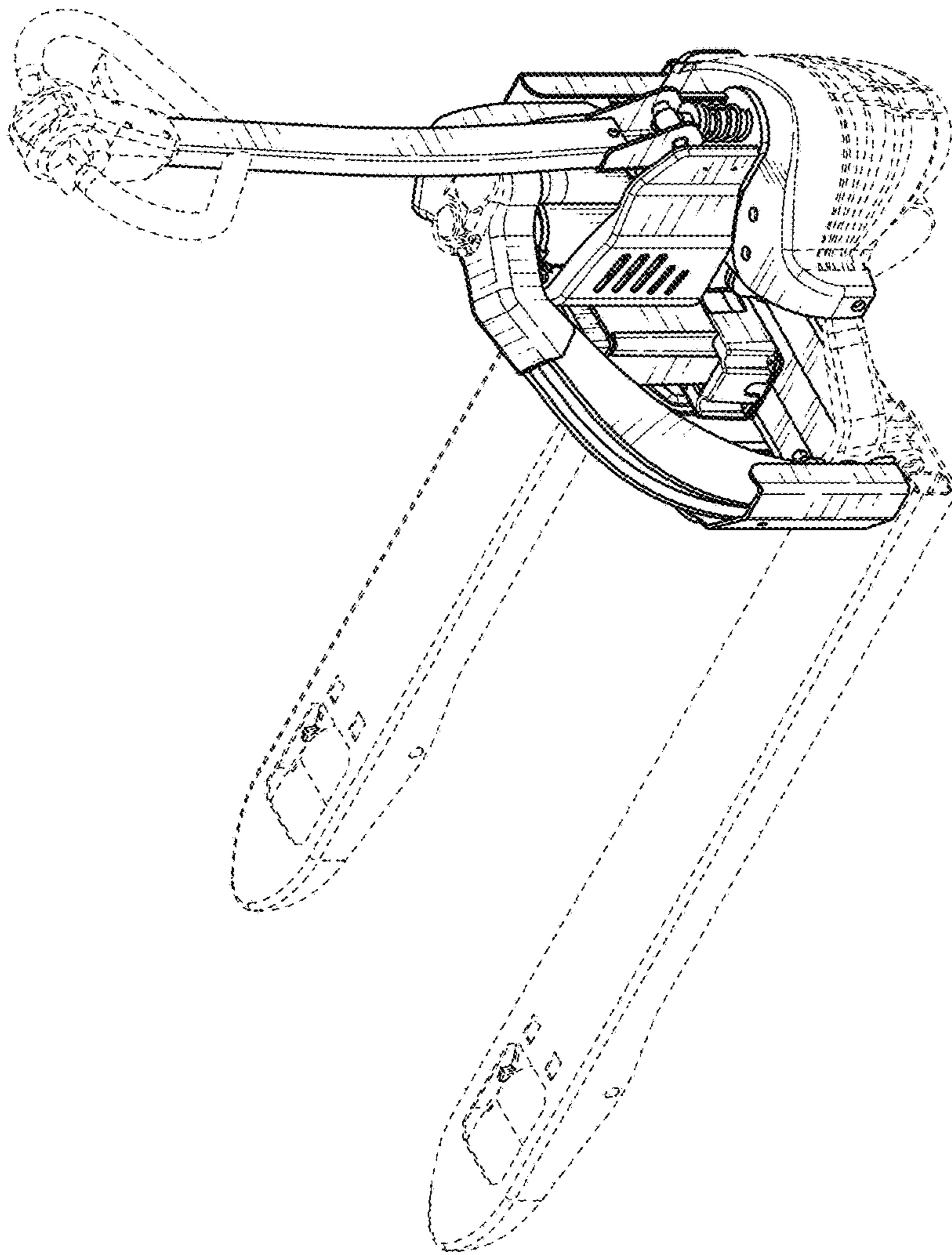


FIG. 3

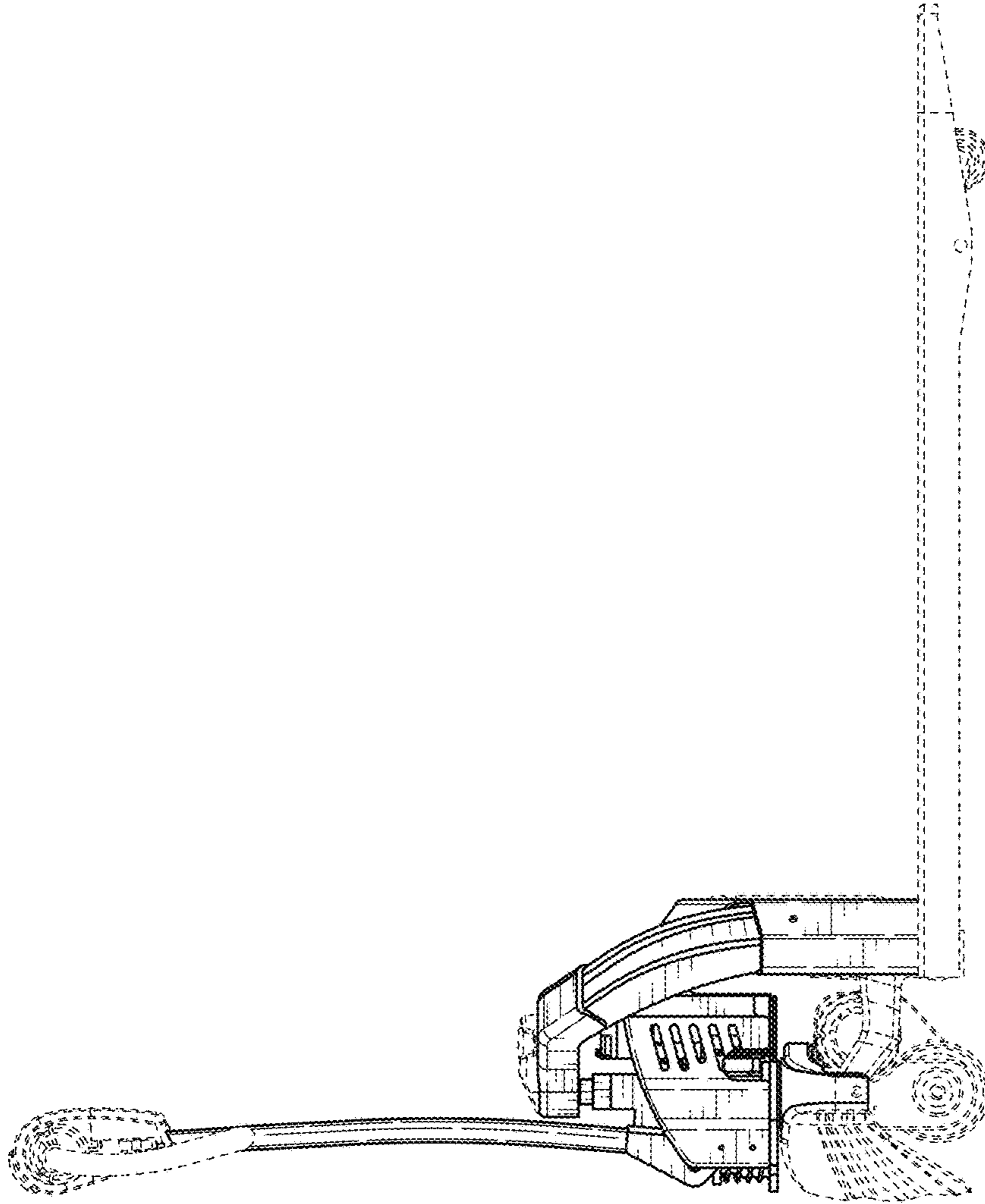


FIG. 4

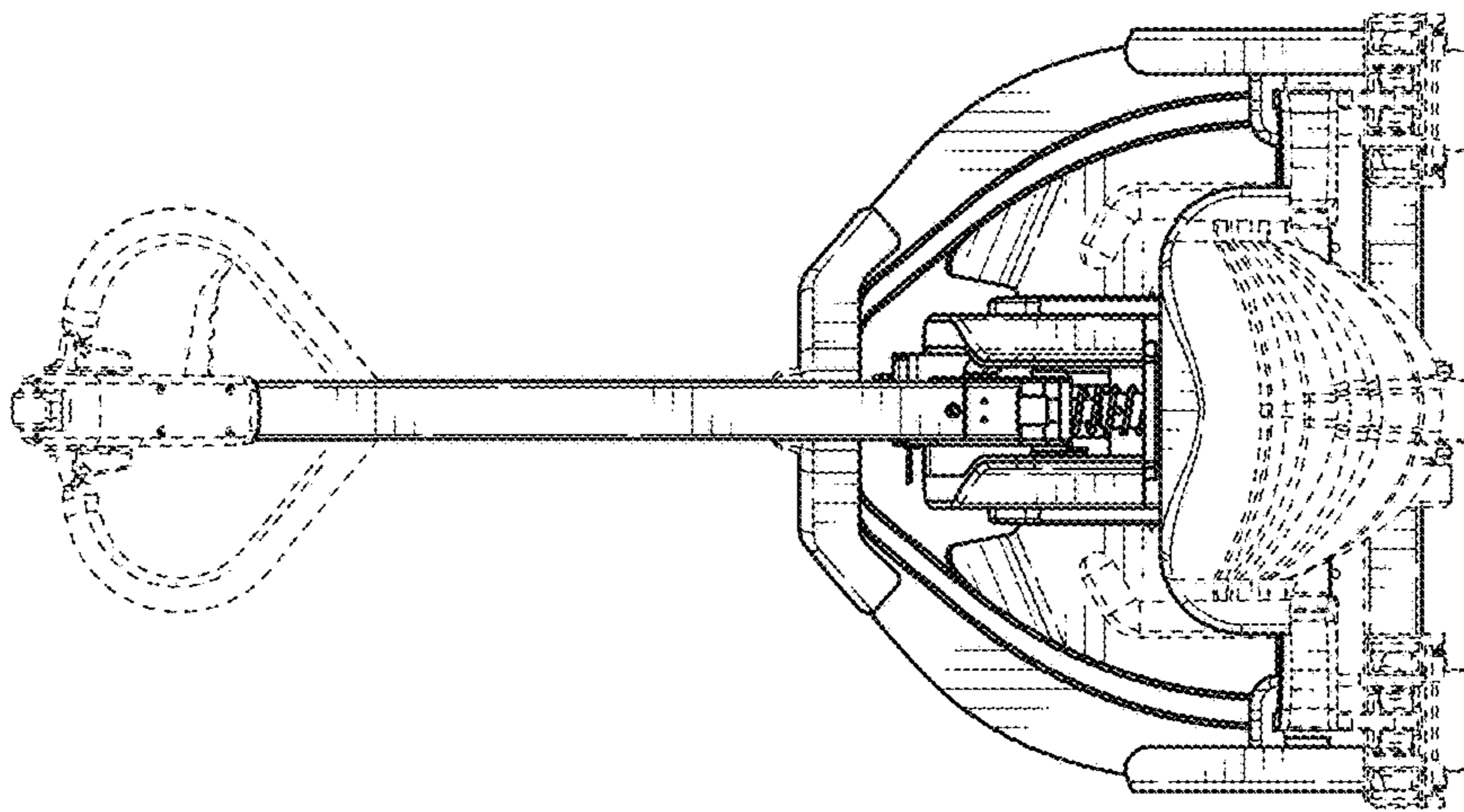


FIG. 5

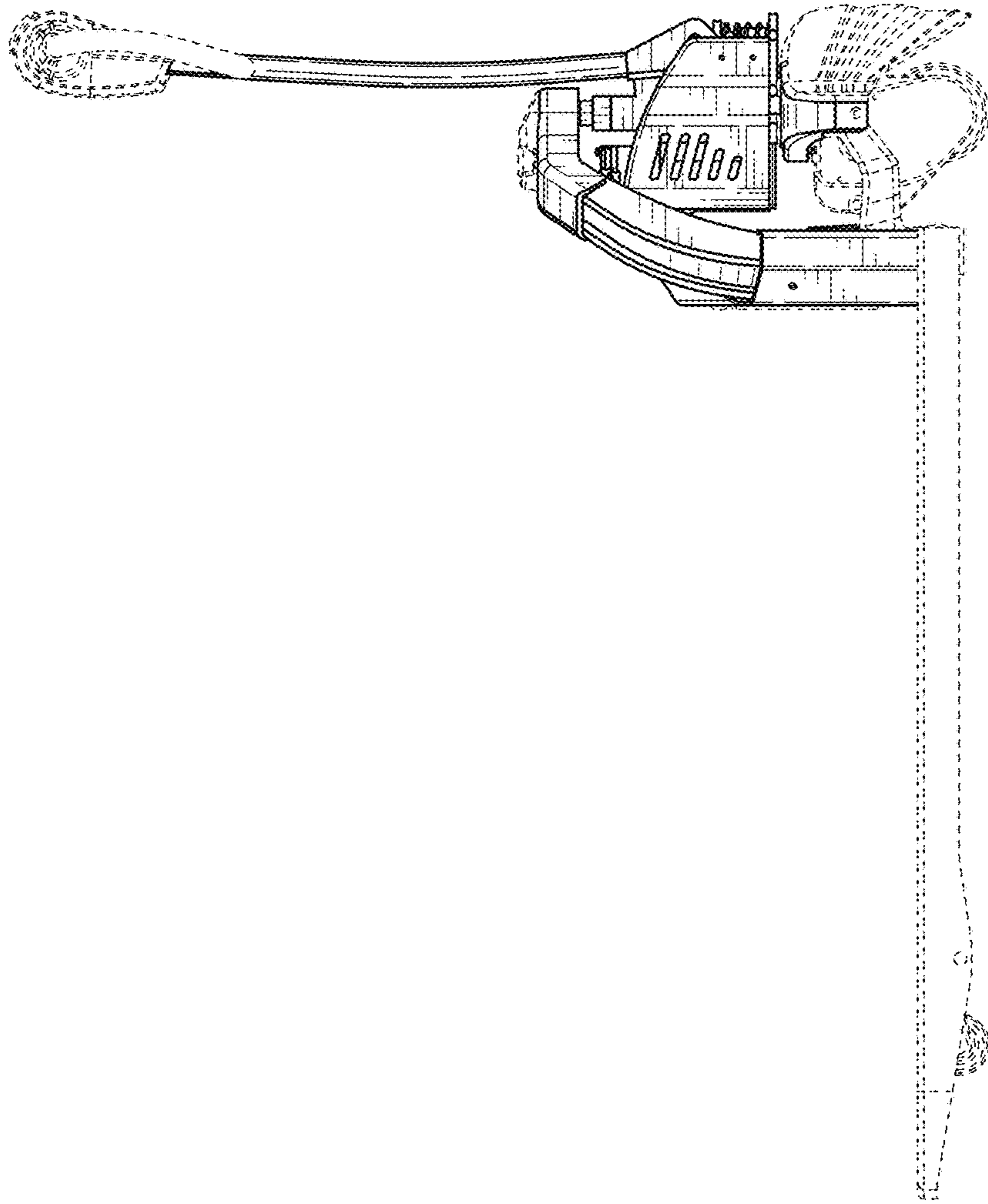


FIG. 7

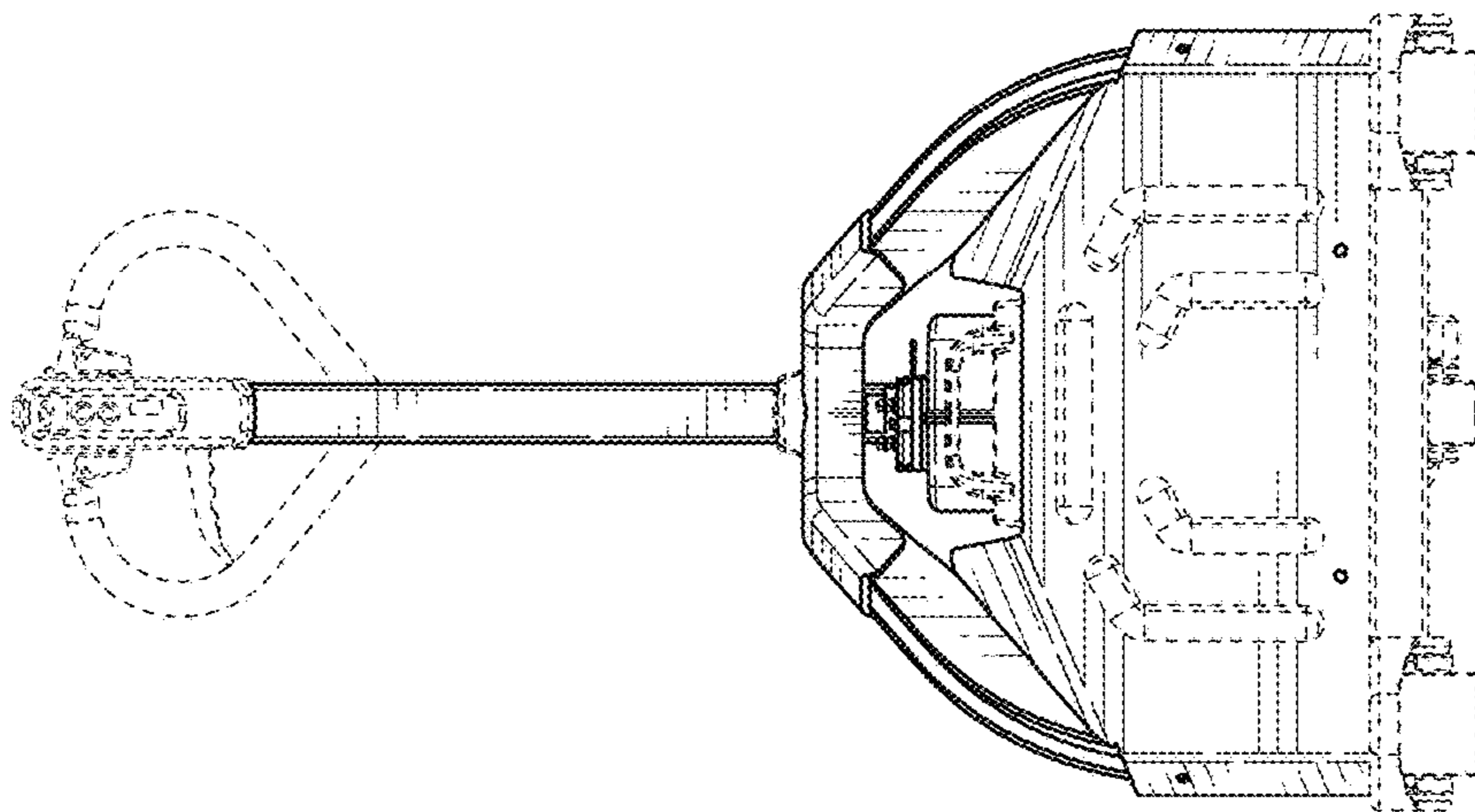


FIG. 6



FIG. 9

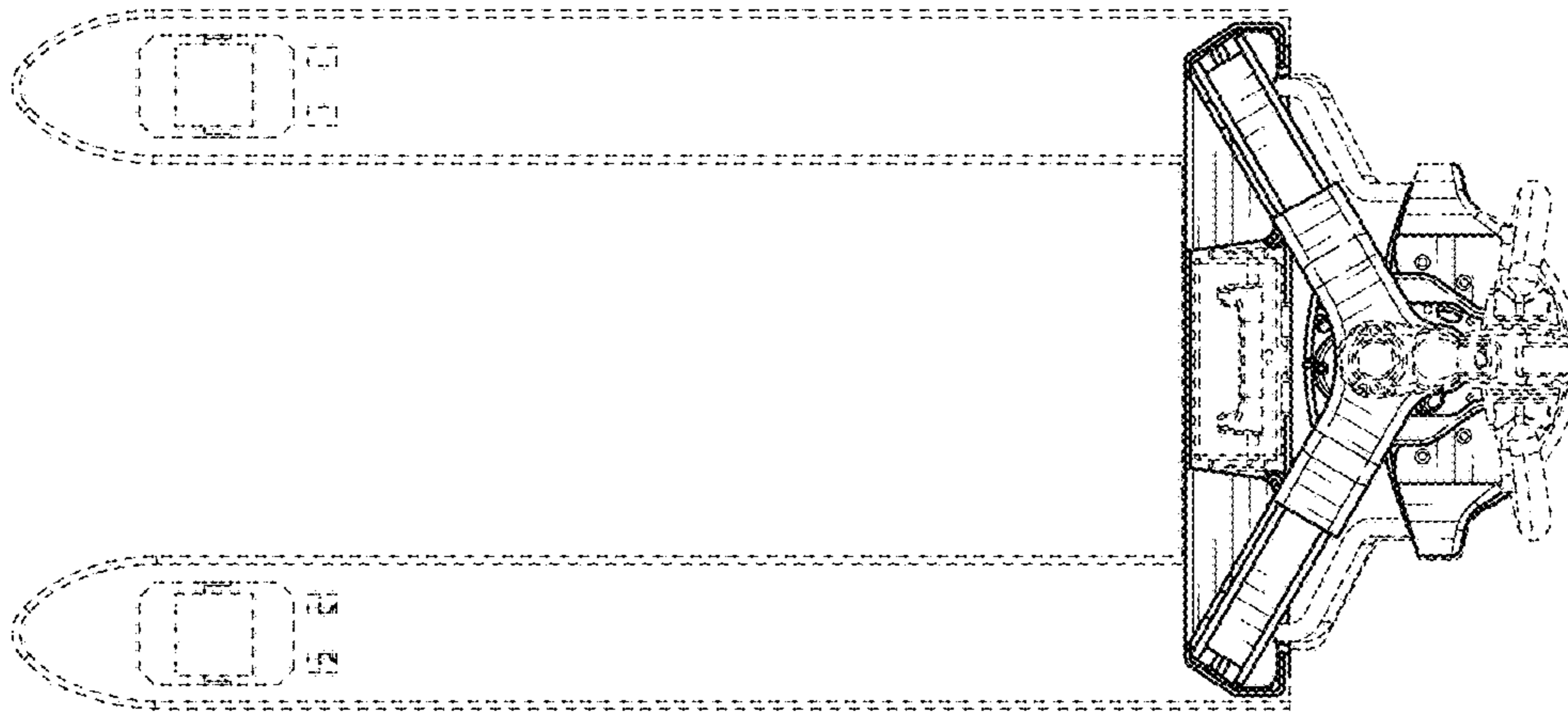


FIG. 8