

US00D856626S

(12) **United States Design Patent** (10) **Patent No.:** **US D856,626 S**  
**Freilich** (45) **Date of Patent:** **\*\* Aug. 13, 2019**

(54) **ENGINE TEST STAND**  
(71) Applicant: **Alan Freilich**, Riverside, CA (US)  
(72) Inventor: **Alan Freilich**, Riverside, CA (US)  
(\*\*) Term: **15 Years**  
(21) Appl. No.: **29/628,235**  
(22) Filed: **Dec. 3, 2017**  
(51) **LOC (12) Cl.** ..... **12-05**  
(52) **U.S. Cl.**  
USPC ..... **D34/31**  
(58) **Field of Classification Search**  
USPC ..... D34/28, 31  
CPC ..... B62B 3/06; B62B 3/0606; B62B 2203/20;  
B62B 2207/04; B66F 9/12; B66F 9/06;  
B65H 2405/422; B65H 75/40; B25H  
1/0007; B64F 5/50  
See application file for complete search history.

8,851,441 B2 \* 10/2014 Acuna ..... F16M 3/00  
206/319  
D797,396 S \* 9/2017 Bettcher, III ..... D34/31  
D809,733 S \* 2/2018 Newgent ..... D34/31  
9,969,525 B2 \* 5/2018 Longaphie ..... B65D 19/44  
2008/0023618 A1 \* 1/2008 McGloghlon ..... B25H 1/0007  
248/646  
2008/0087792 A1 \* 4/2008 Evitt, Sr. .... B25H 1/0007  
248/676  
2008/0152469 A1 \* 6/2008 Bates ..... B66F 9/12  
414/557  
2018/0334267 A1 \* 11/2018 Bailey ..... B64F 5/50

\* cited by examiner

*Primary Examiner* — Cynthia Ramirez  
(74) *Attorney, Agent, or Firm* — Grant's Law Firm; Allan Grant

(57) **CLAIM**

I claim the ornamental design for an engine test stand, as shown and as described.

**DESCRIPTION**

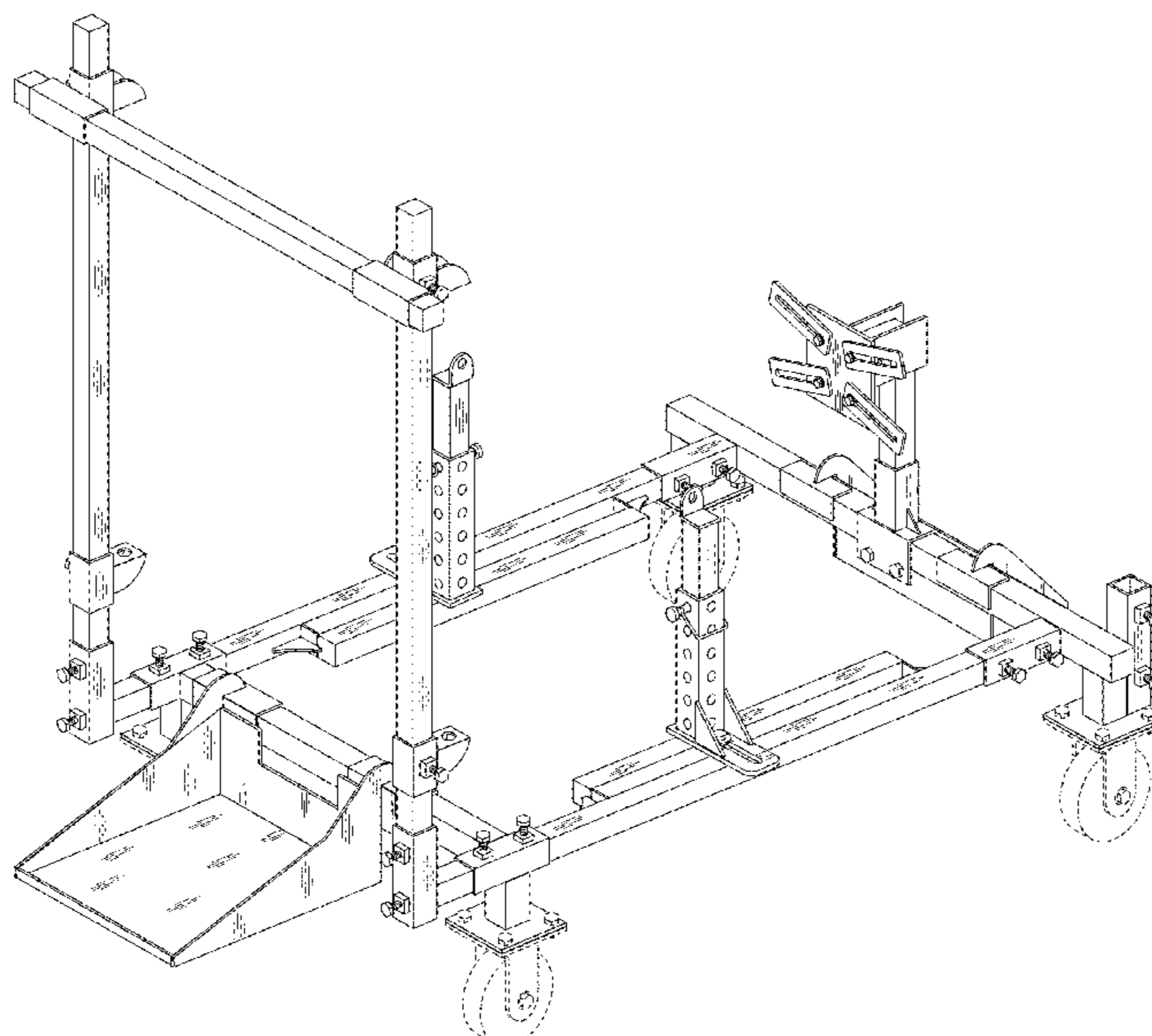
FIG. 1 is a perspective view of the engine test stand.  
FIG. 2 is the front view of the engine test stand.  
FIG. 3 is a back view of the engine test stand.  
FIG. 4 is a side view of the engine test stand.  
FIG. 5 is the other side view of the engine test stand.  
FIG. 6 is a top view of the engine test stand.  
FIG. 7 is bottom view of the engine test stand.  
FIG. 8 is a perspective view of the engine test stand  
FIG. 9 is a perspective view of the engine test stand; and,  
FIG. 10 is a perspective view of the engine test stand.  
The wheels, engine, engine mount, battery, fuel can, oil can, fan, instrument panel and wiring shown in broken lines in the figures are to show environment and form no part of the claimed design.

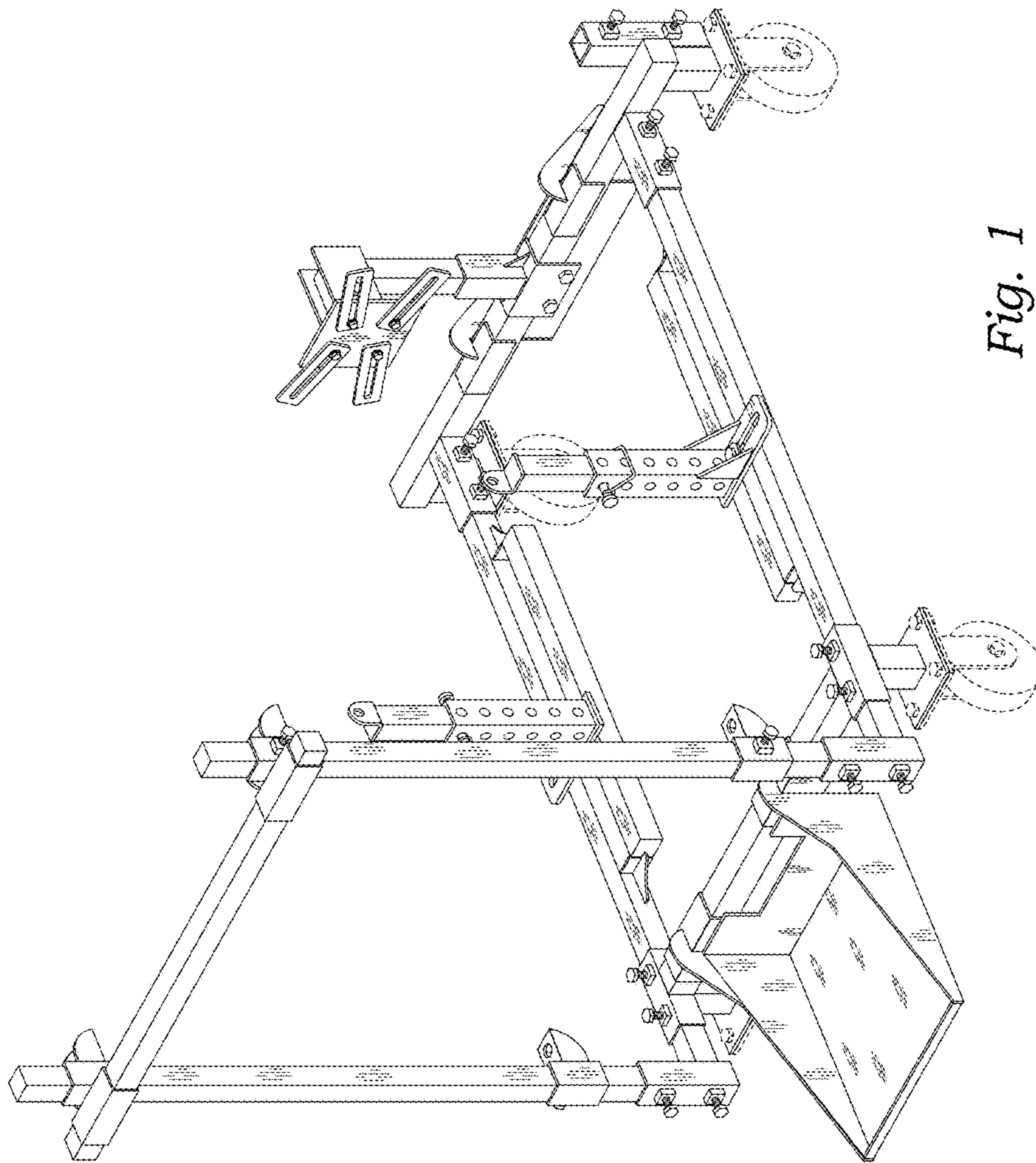
(56) **References Cited**

**U.S. PATENT DOCUMENTS**

D133,957 S \* 9/1942 Alfred ..... D34/31  
D192,522 S \* 4/1962 Butorac ..... D34/31  
4,804,162 A \* 2/1989 Rice ..... B25H 1/0007  
248/129  
4,899,985 A \* 2/1990 Good ..... B62B 3/0618  
254/124  
5,174,415 A \* 12/1992 Neagle ..... B66F 9/06  
180/209  
D346,255 S \* 4/1994 Francis ..... D34/28  
D348,134 S \* 6/1994 McCanse ..... D34/28  
D384,474 S \* 9/1997 White ..... D34/31  
D472,029 S \* 3/2003 Ji ..... D34/31  
7,726,182 B1 \* 6/2010 Newlin ..... G01M 15/02  
73/116.01

**1 Claim, 10 Drawing Sheets**





*Fig. 1*

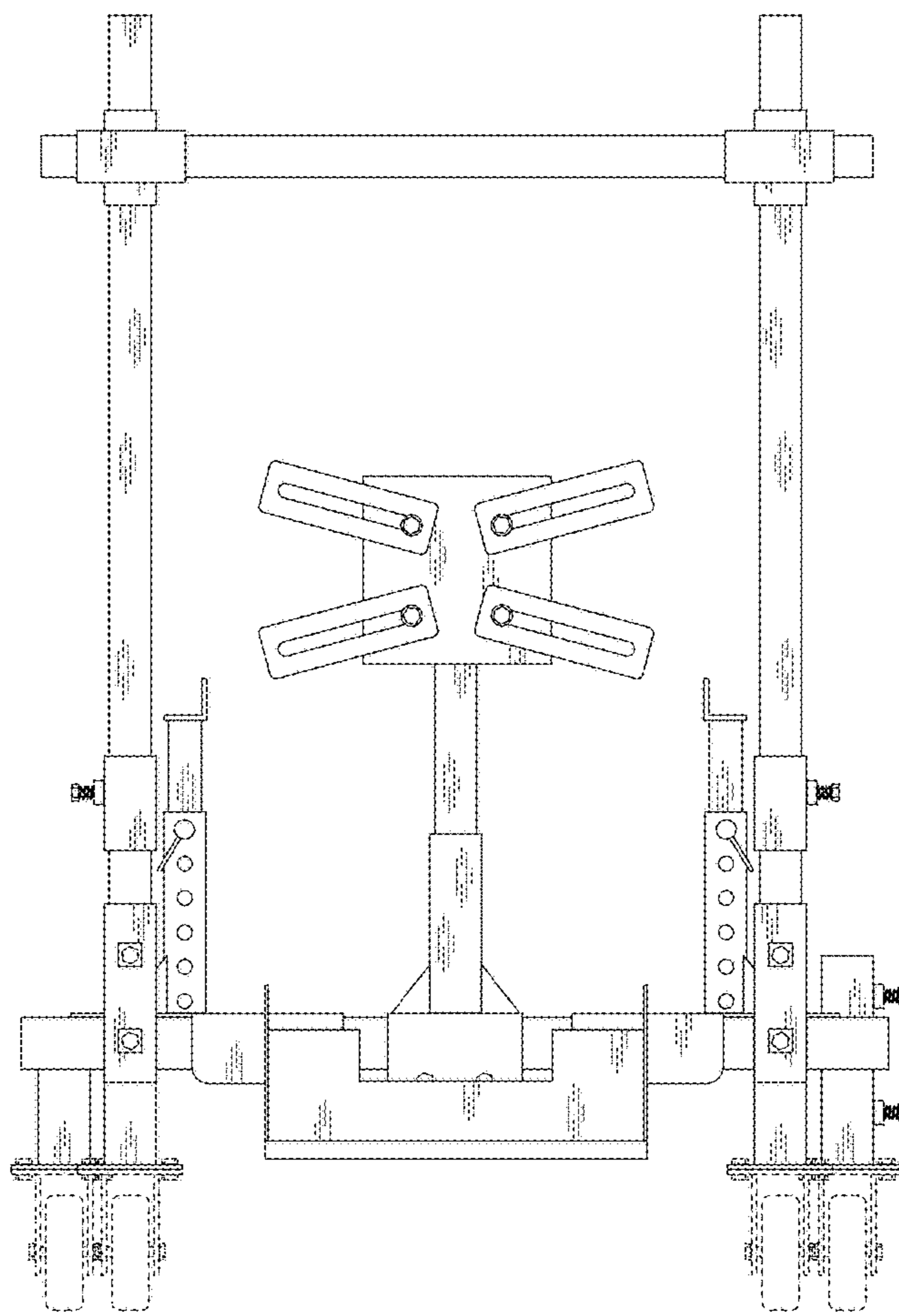
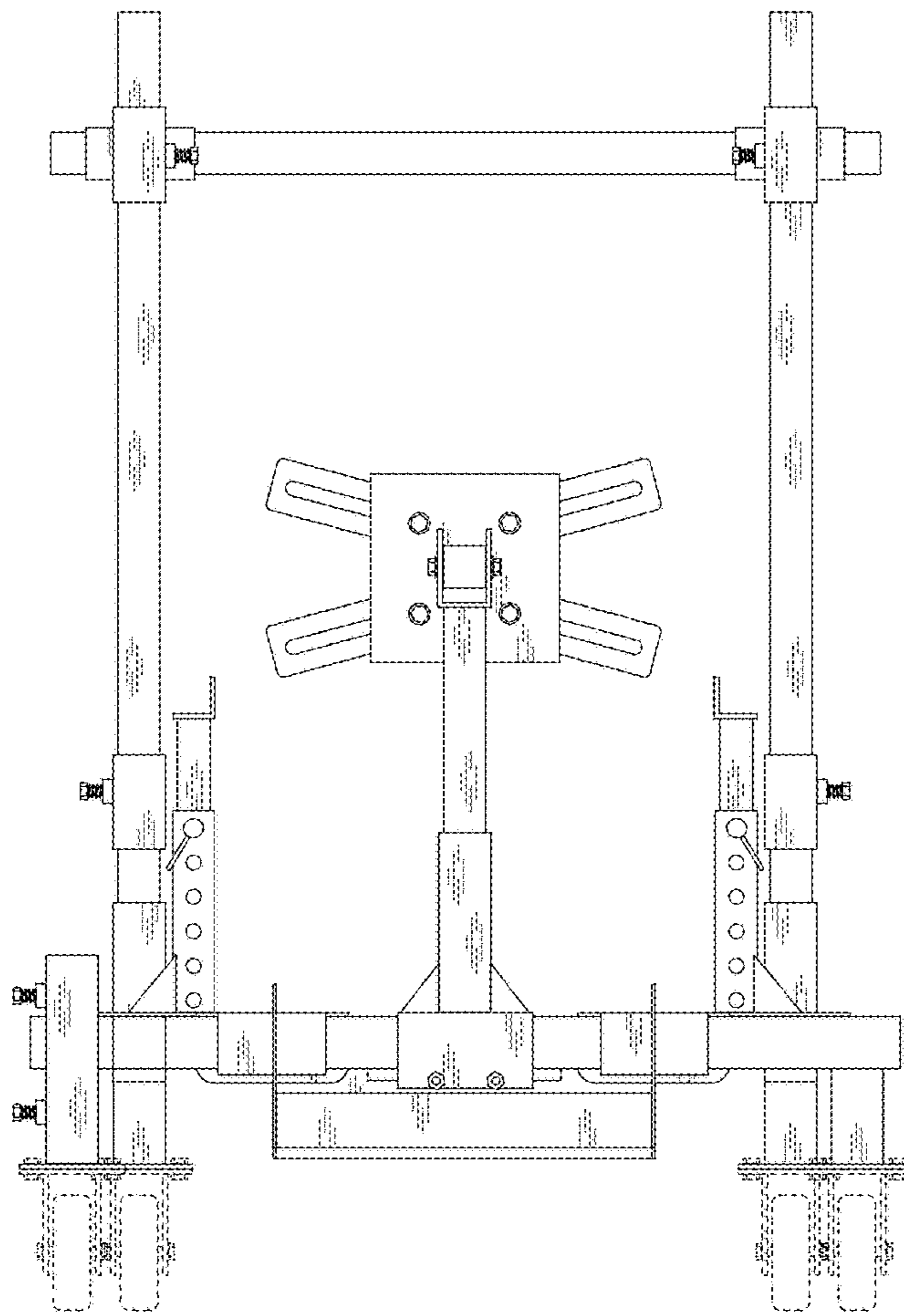
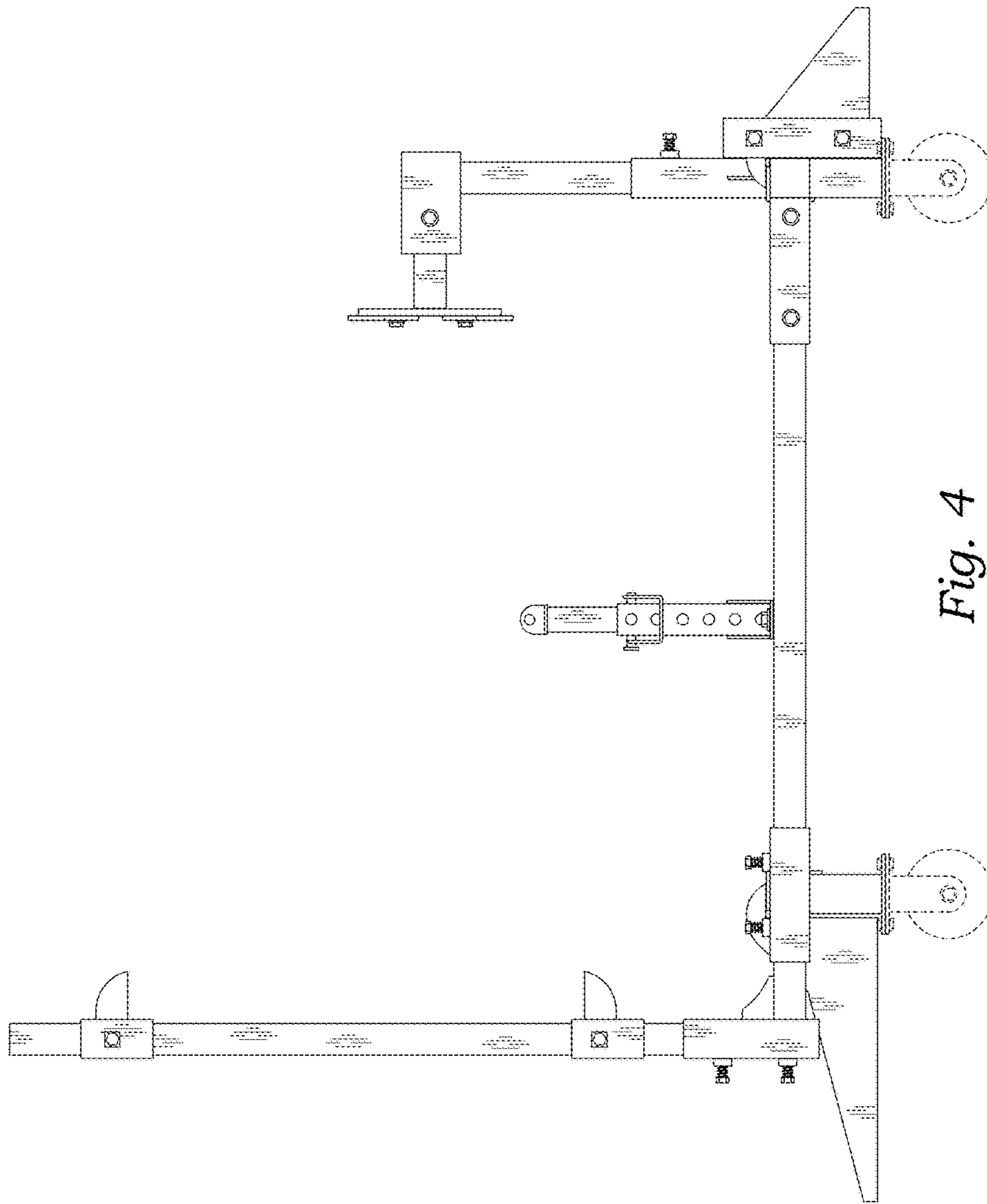


Fig. 2



*Fig. 3*





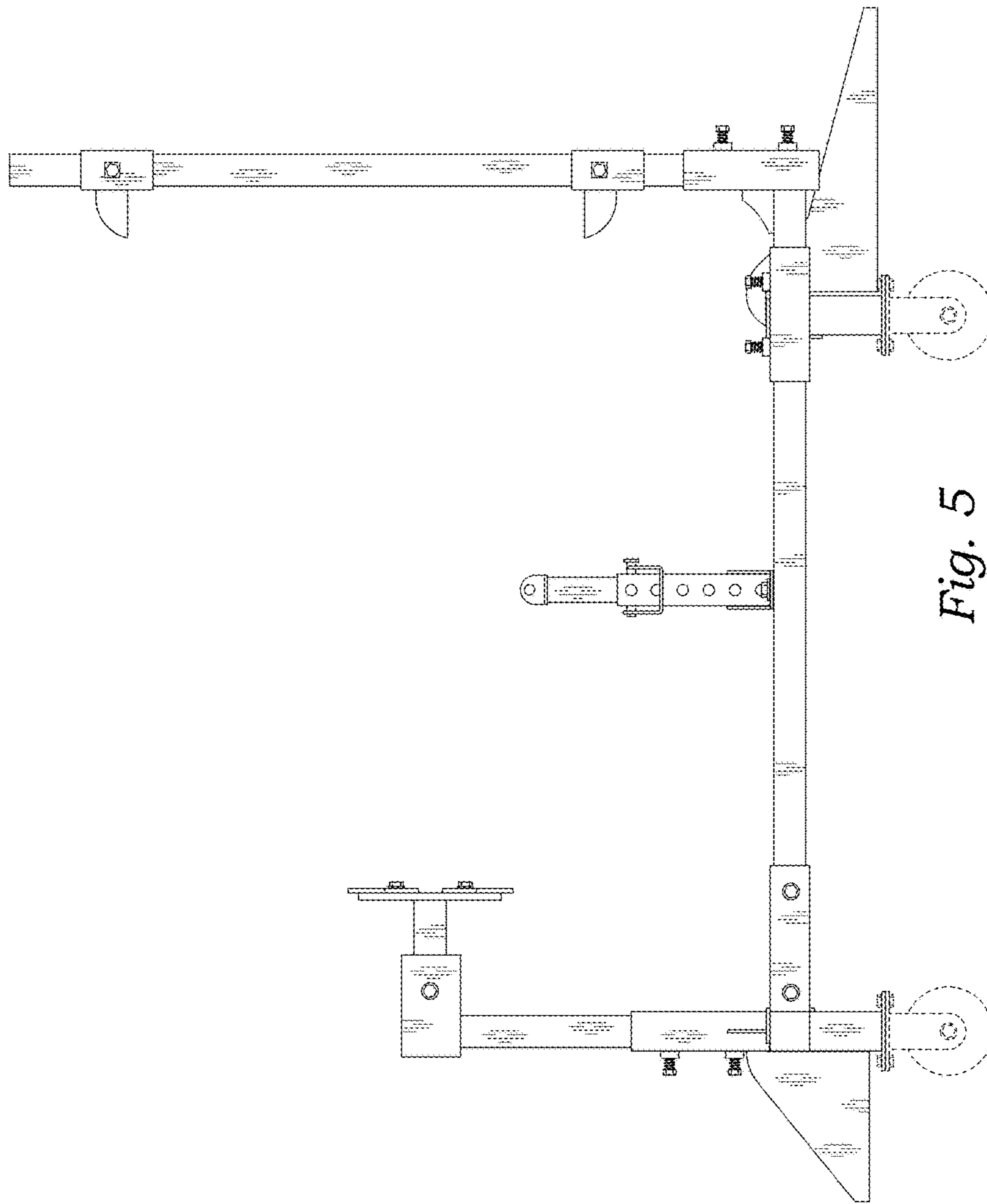
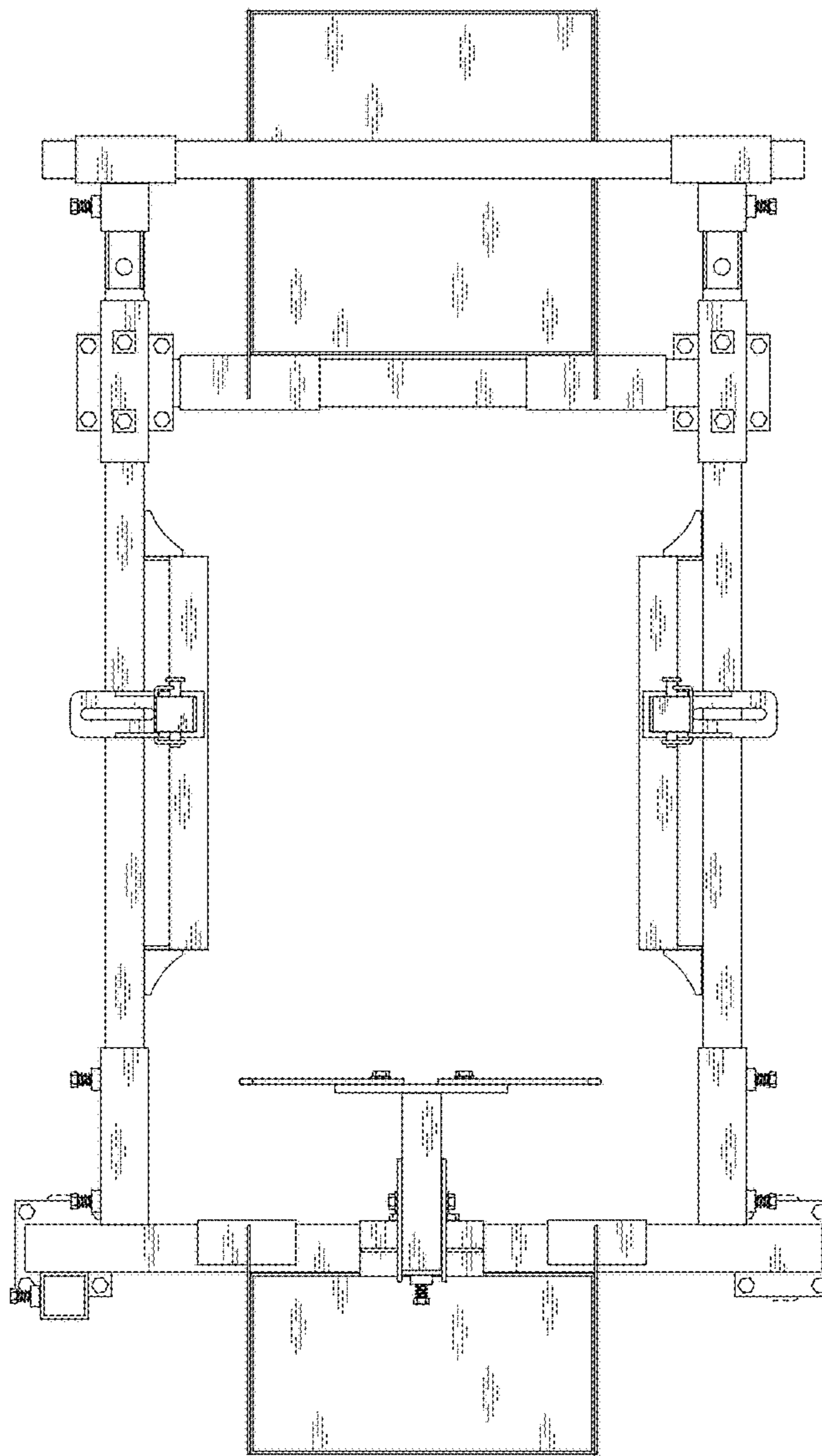
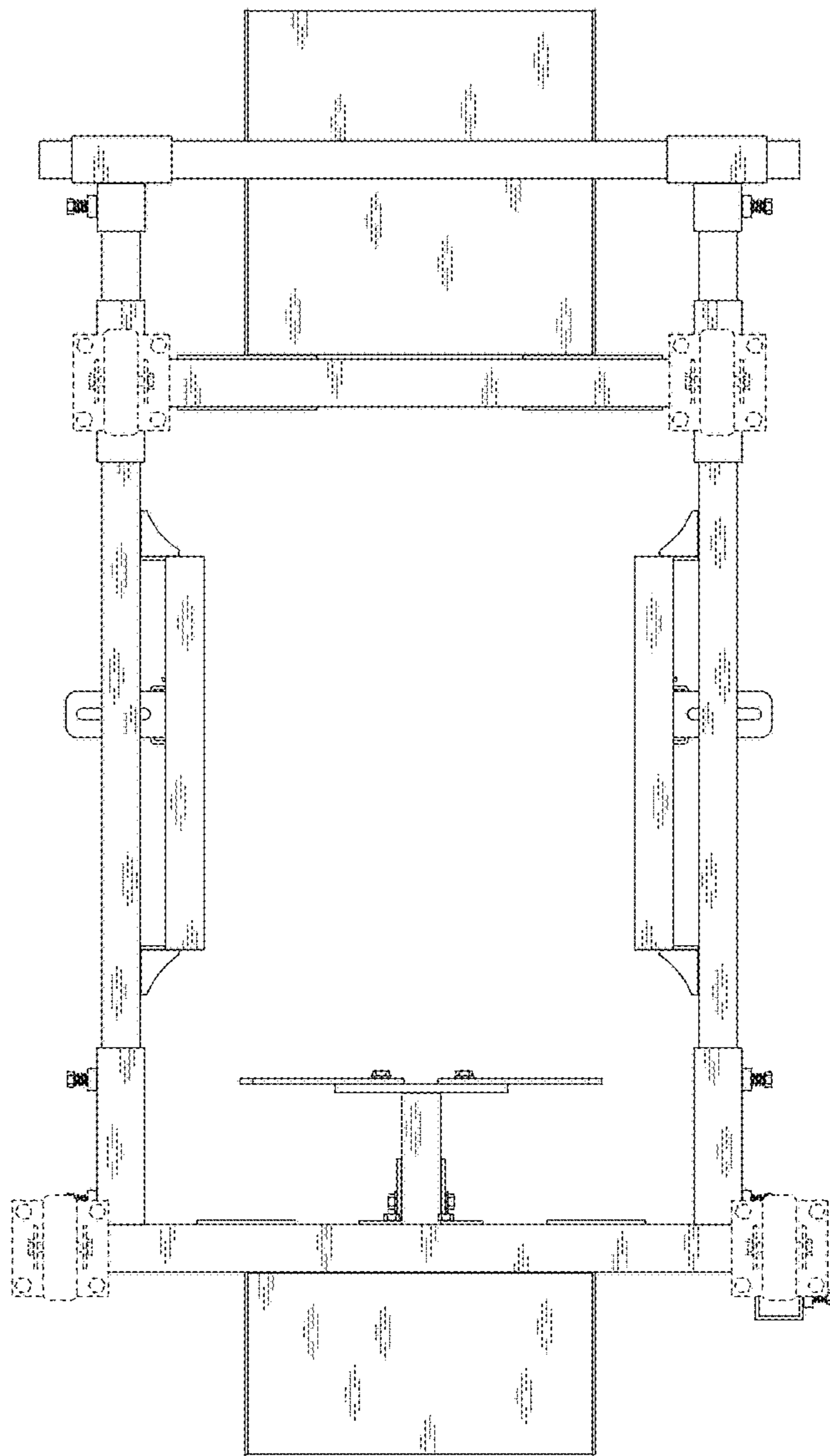


Fig. 5



*Fig. 6*



*Fig. 7*



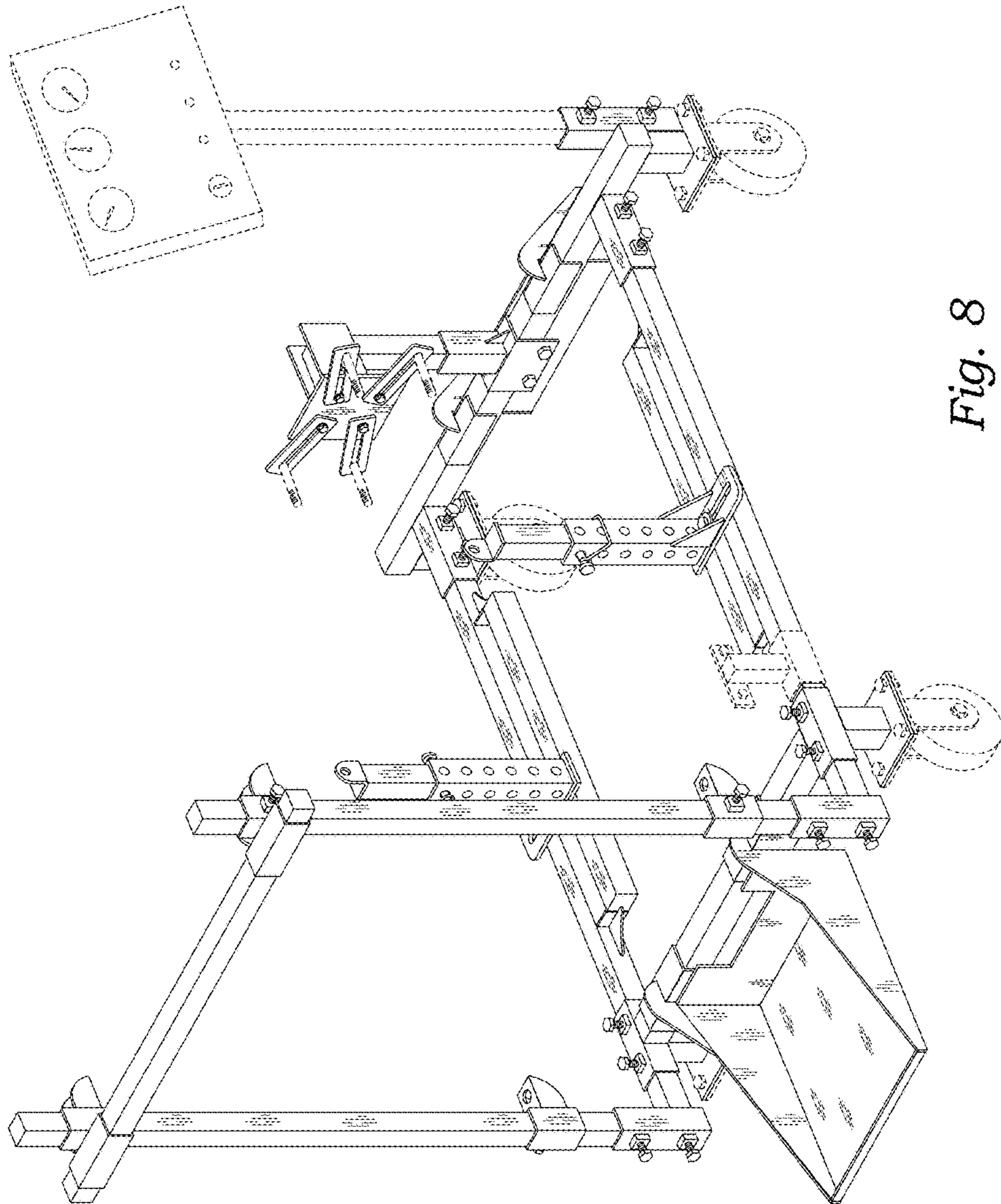


Fig. 8

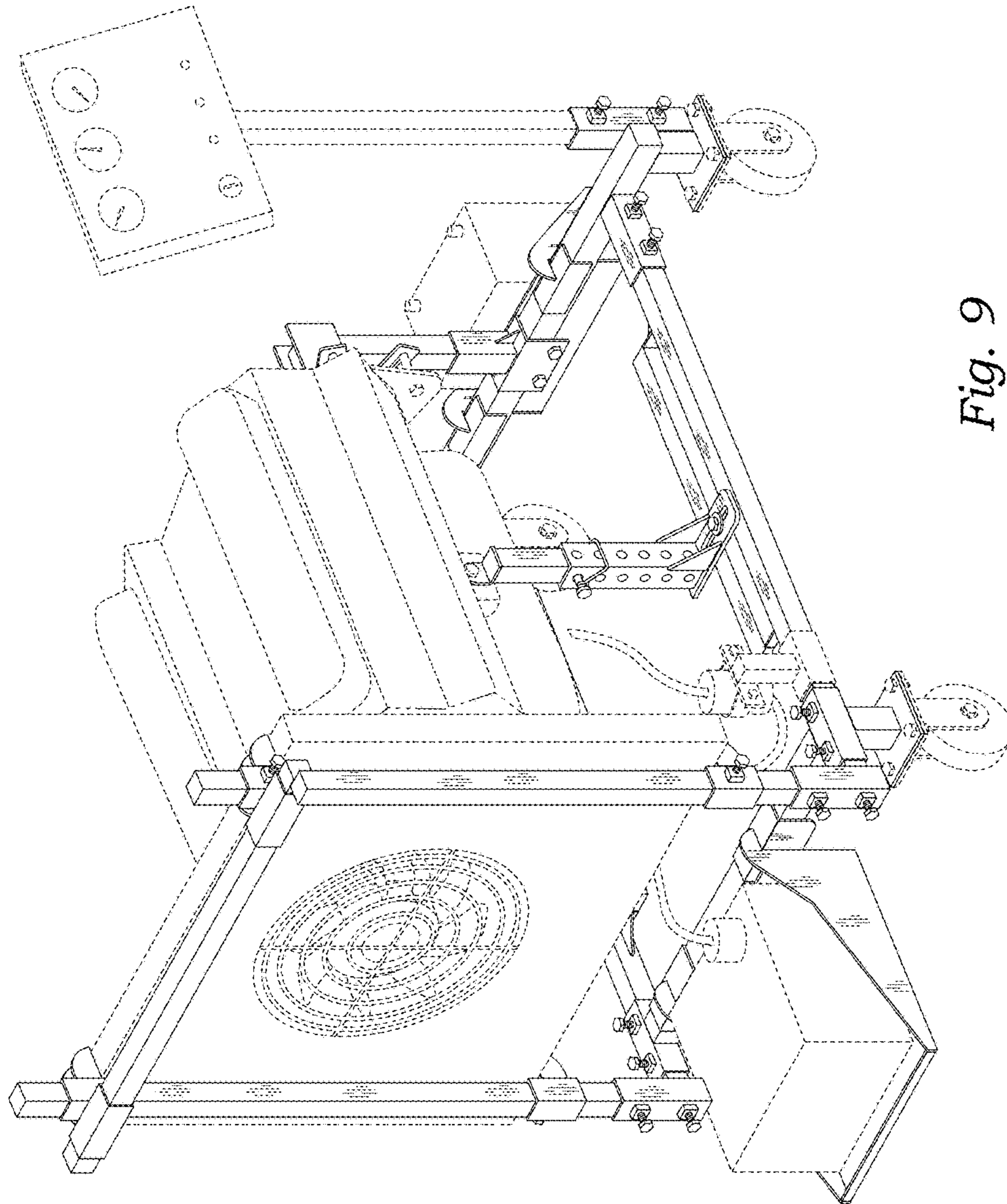


Fig. 9

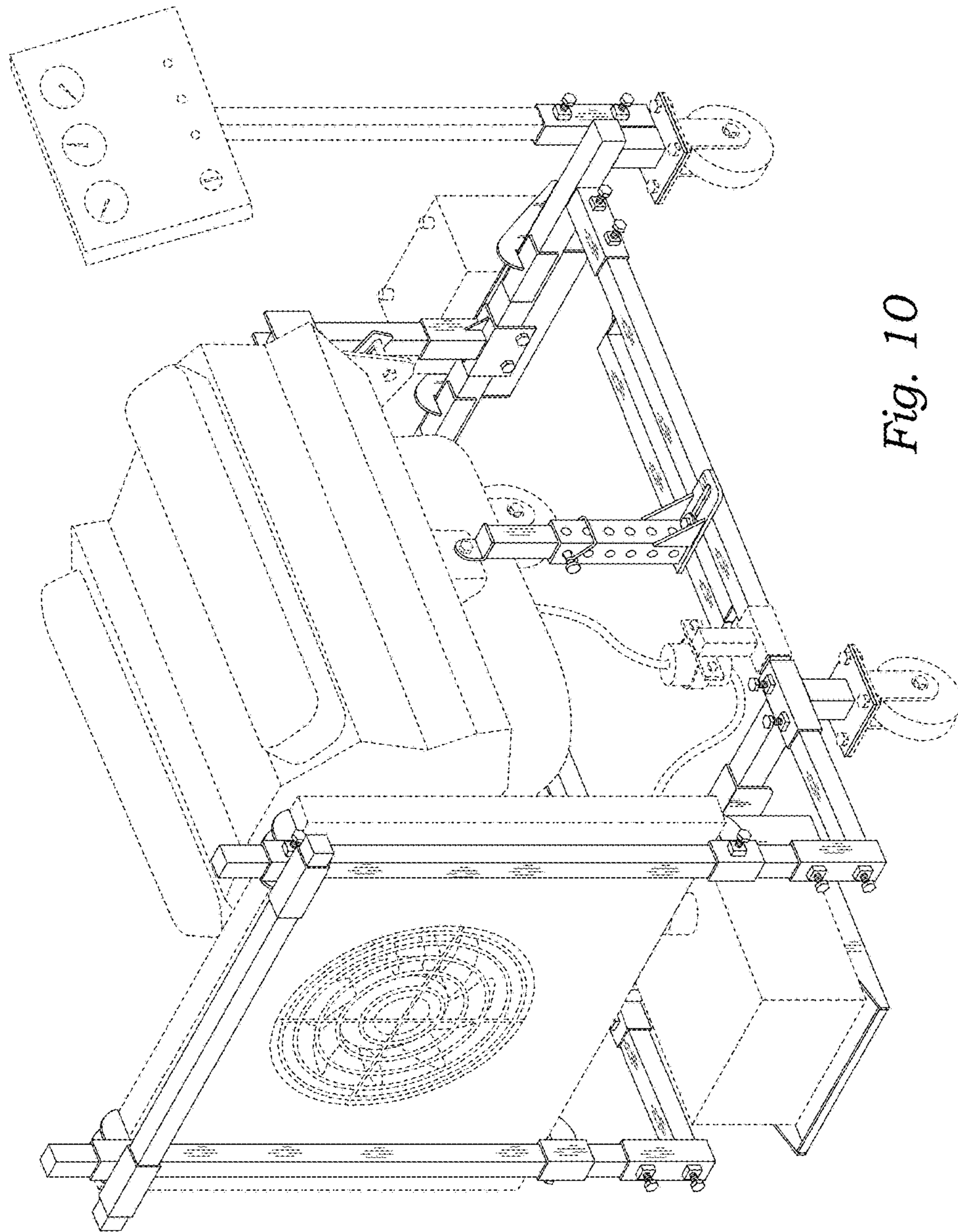


Fig. 10