



US00D856625S

(12) **United States Design Patent**
Shen et al.

(10) **Patent No.:** **US D856,625 S**

(45) **Date of Patent:** **** Aug. 13, 2019**

(54) **HORIZONTAL JACK**

(71) Applicant: **CHANGSHU TONGRUN AUTO ACCESSORY CO., LTD**, Changshu, Jiangsu (CN)

(72) Inventors: **Min Shen**, Jiangsu (CN); **Chao Huang**, Jiangsu (CN)

(73) Assignee: **CHANGSHU TONGRUN AUTO ACCESSORY CO., LTD**, Changshu (CN)

(**) Term: **15 Years**

(21) Appl. No.: **29/617,419**

(22) Filed: **Sep. 13, 2017**

(30) **Foreign Application Priority Data**

May 2, 2017 (CN) 2017 3 0155396

(51) **LOC (12) Cl.** **12-05**

(52) **U.S. Cl.**
USPC **D34/31**

(58) **Field of Classification Search**
USPC D34/31
CPC B66F 1/00; B66F 1/06; B66F 1/08; B66F 3/25; B66F 3/00; B66F 5/00; B66F 13/00; B66F 7/18
See application file for complete search history.

(56) **References Cited**

U.S. PATENT DOCUMENTS

D590,121 S * 4/2009 Shen D34/31
D688,845 S * 8/2013 Hernandez D34/31

D720,514 S * 12/2014 Fox D34/31
D730,612 S * 5/2015 James D34/31
D764,736 S * 8/2016 Fox D34/31
D801,617 S * 10/2017 Fox D34/31
D827,242 S * 8/2018 Wang D34/31
D835,378 S * 12/2018 Huang D34/31
2005/0023510 A1 * 2/2005 Liu B66F 5/00
254/8 B
2013/0048931 A1 * 2/2013 Schumacher B66F 3/12
254/8 B

* cited by examiner

Primary Examiner — Cynthia Ramirez

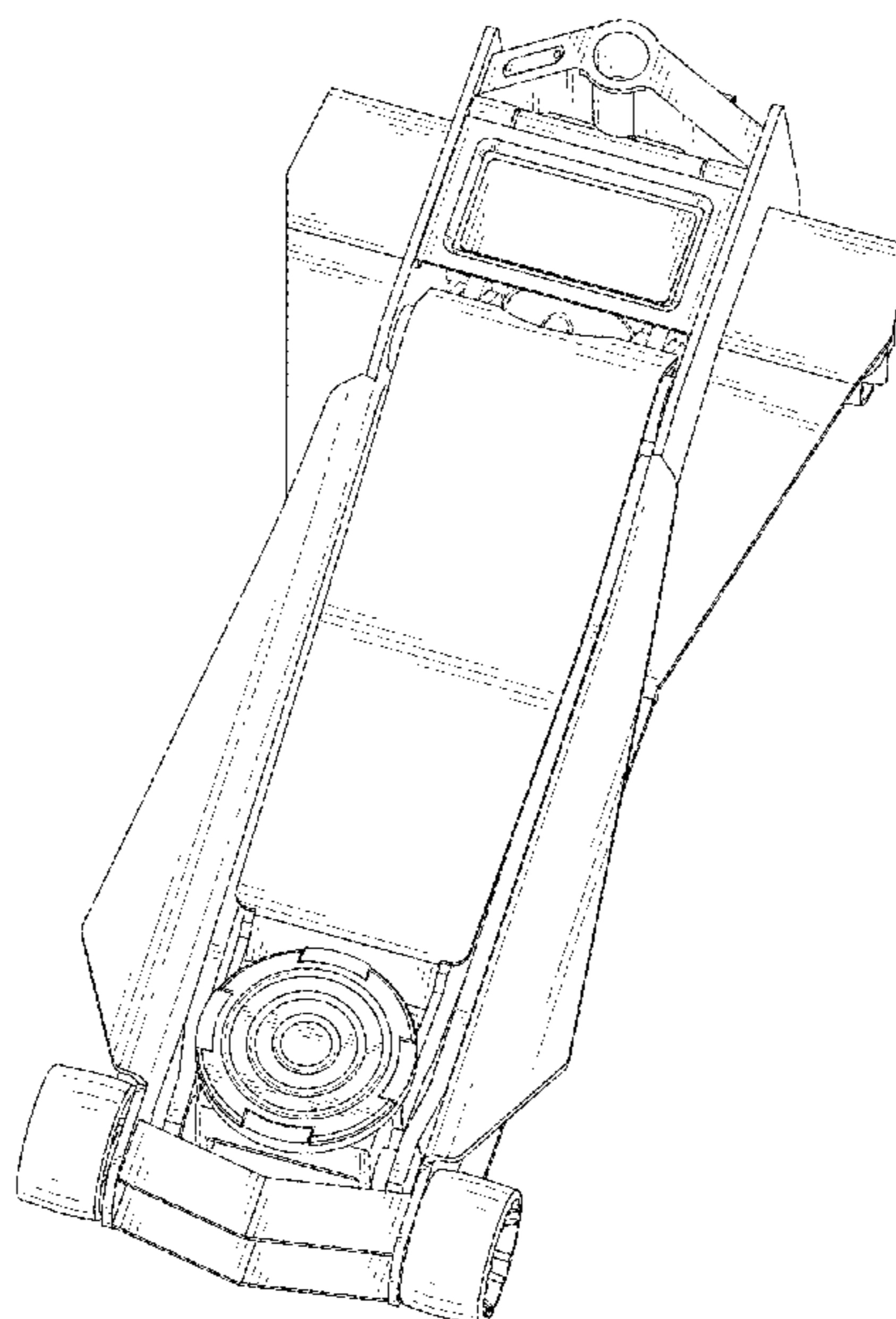
(57) **CLAIM**

The ornamental design for a horizontal jack, as shown and described.

DESCRIPTION

FIG. 1 is a first perspective view of a horizontal jack showing our new design;
FIG. 2 is a second perspective view thereof;
FIG. 3 is a front elevational view thereof;
FIG. 4 is a rear elevational view thereof;
FIG. 5 is a left side view thereof;
FIG. 6 is a right side view thereof;
FIG. 7 is a top plan view thereof; and,
FIG. 8 is a bottom plan view thereof.
The broken lines in the drawings illustrate portions of the horizontal jack which form no part of the claimed design.

1 Claim, 8 Drawing Sheets



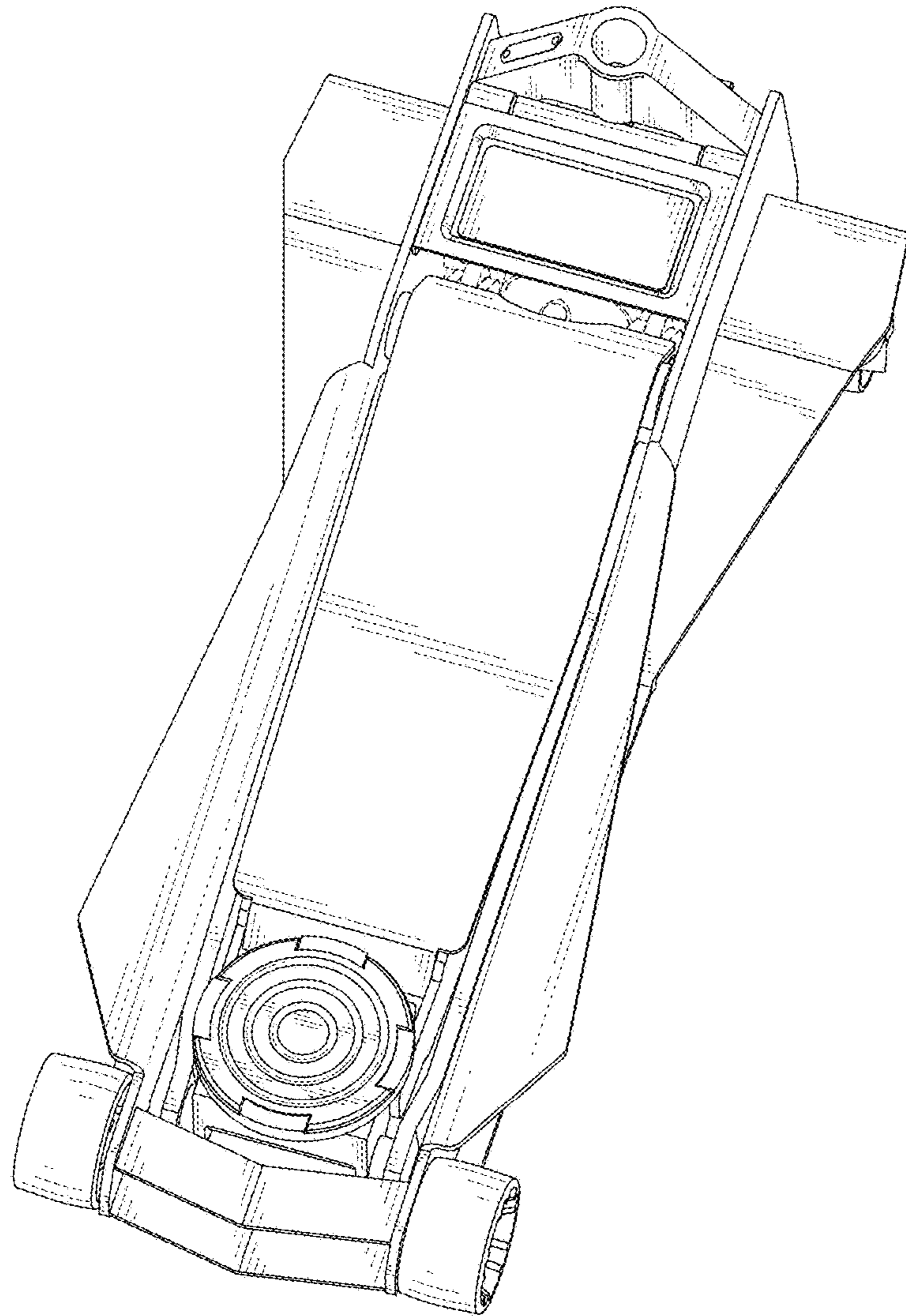


FIG. 1

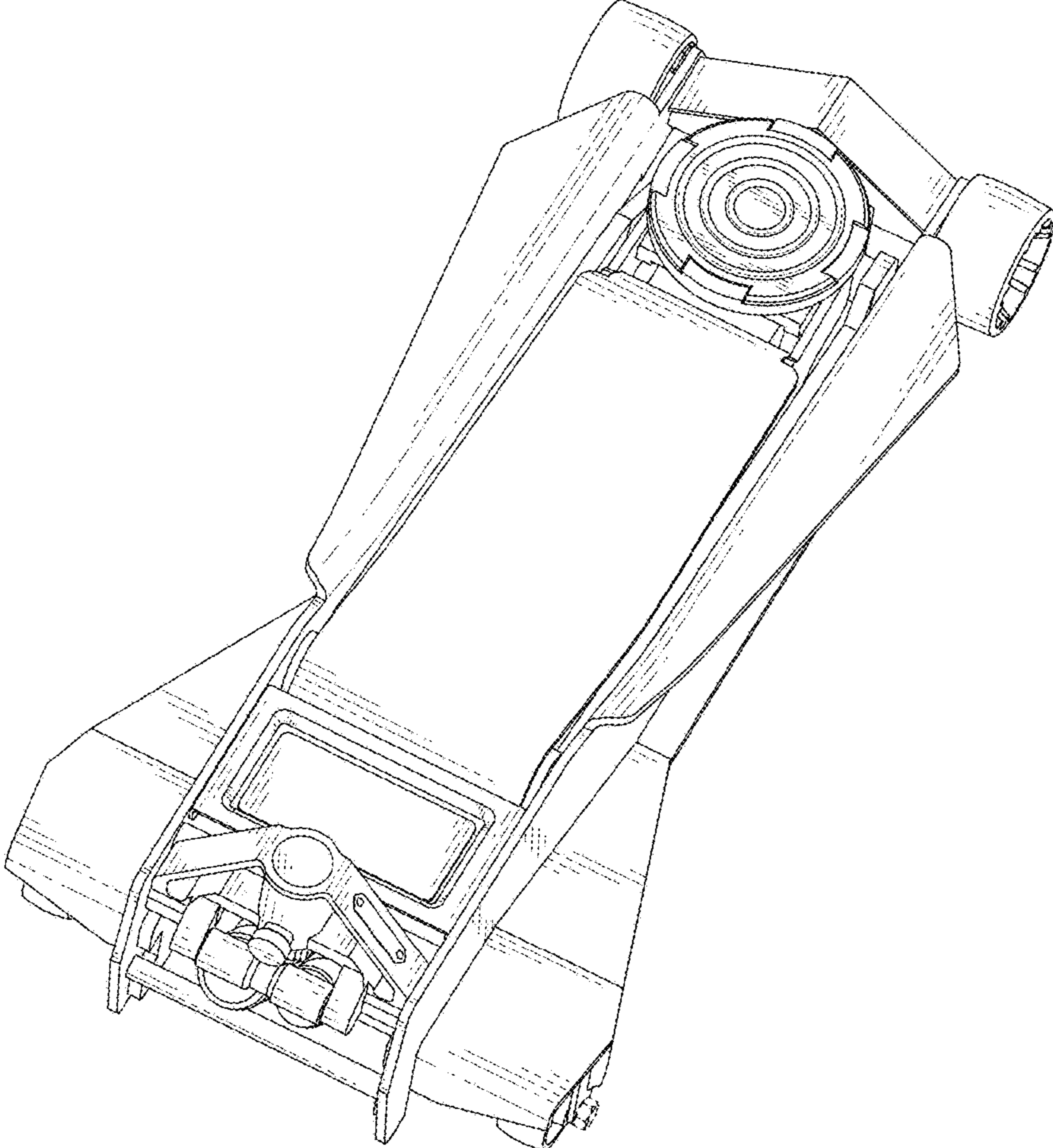


FIG. 2

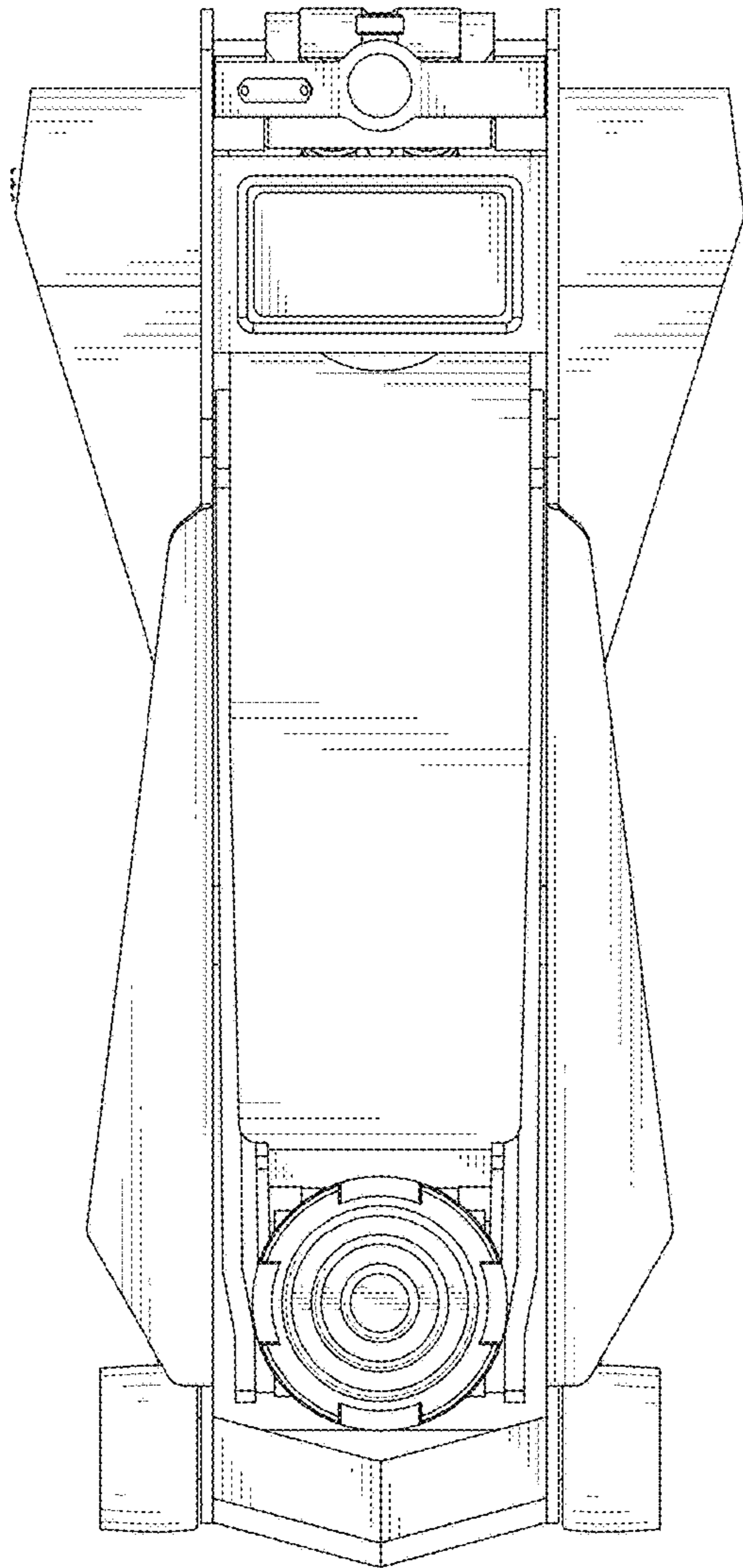


FIG. 3

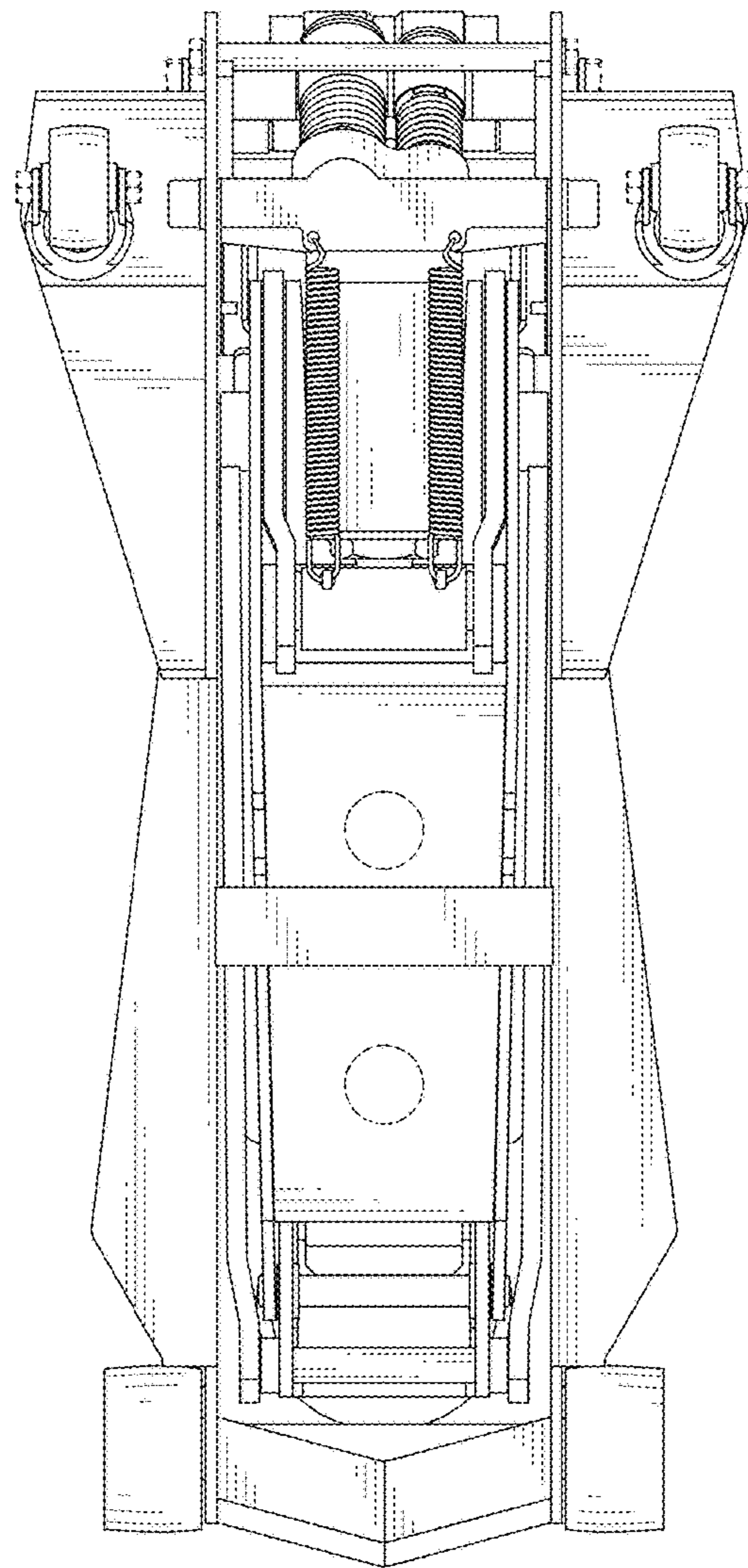


FIG. 4

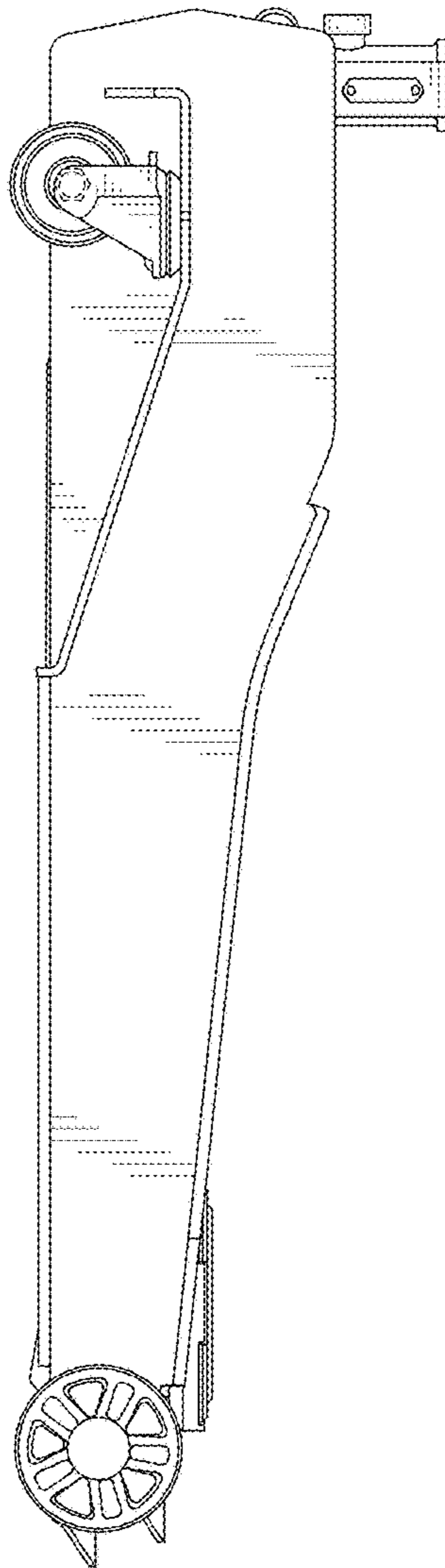


FIG. 5

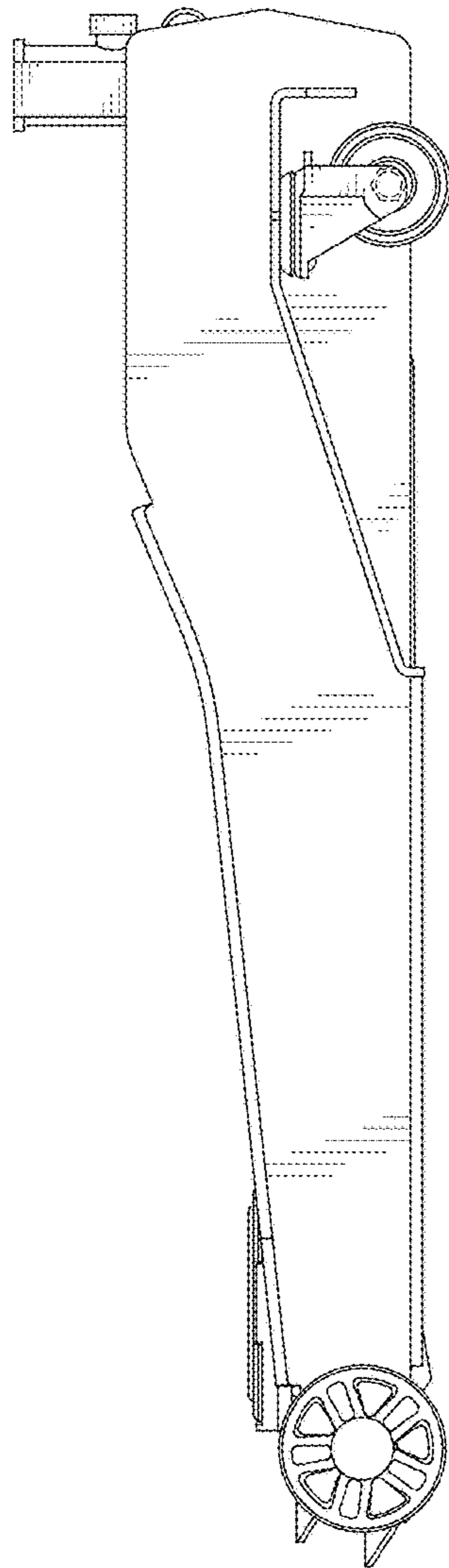


FIG. 6

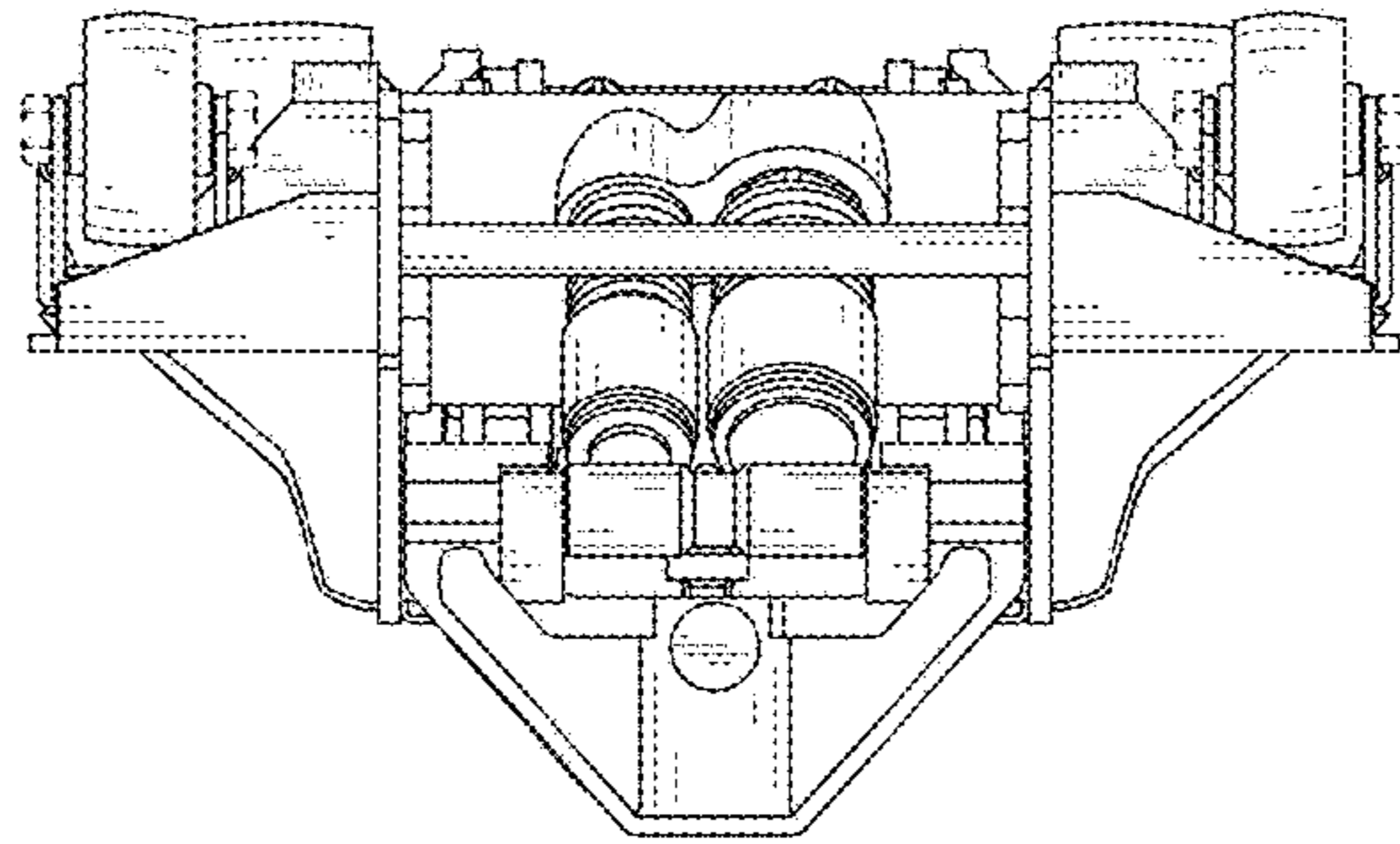


FIG. 7

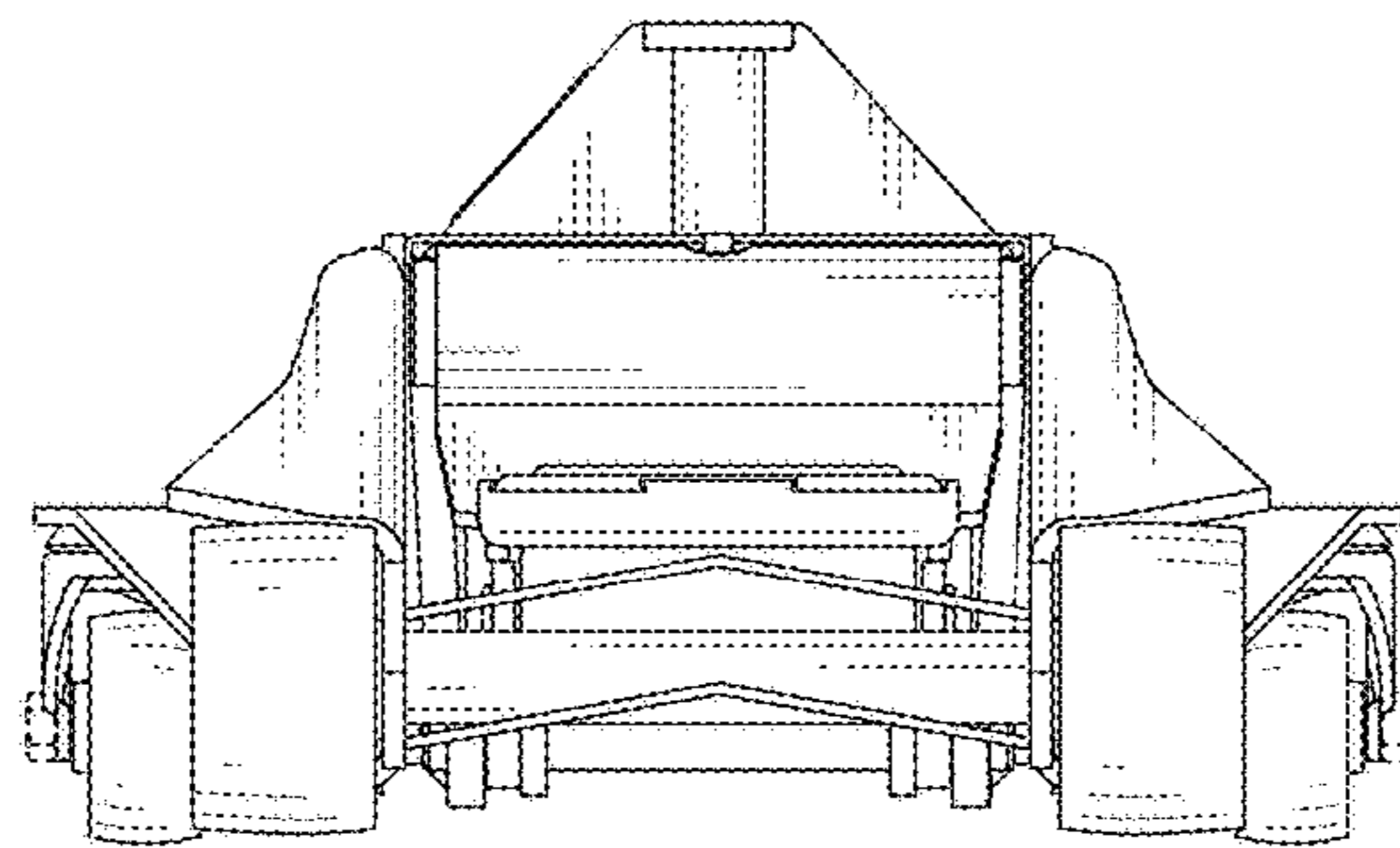


FIG. 8