



US00D856624S

(12) **United States Design Patent**
Fye et al.

(10) **Patent No.:** **US D856,624 S**
(45) **Date of Patent:** **** Aug. 13, 2019**

- (54) **CONVEYOR LINK**
- (71) Applicant: **SPAN TECH LLC**, Glasgow, KY (US)
- (72) Inventors: **Stephen C. Fye**, Glasgow, KY (US);
James L. Layne, Bowling Green, KY (US);
Scott D. Barbour, Glasgow, KY (US)
- (73) Assignee: **SPAN TECH LLC**, Glasgow, KY (US)
- (**) Term: **15 Years**
- (21) Appl. No.: **29/621,750**
- (22) Filed: **Oct. 11, 2017**

5,497,874 A	3/1996	Layne	
5,690,210 A *	11/1997	Layne	B65G 17/086 198/853
5,911,305 A *	6/1999	Layne	B65G 17/086 198/832
6,041,917 A *	3/2000	Layne	B65G 17/086 198/853
6,129,202 A *	10/2000	Layne	B65G 17/086 198/831
6,202,834 B1	3/2001	Layne et al.	
6,223,889 B1	5/2001	Layne et al.	
6,357,581 B1 *	3/2002	Guldenfels	B65G 17/086 198/850
D511,298 S	11/2005	Layne et al.	
D528,259 S	9/2006	Layne et al.	
7,108,126 B2	9/2006	Layne et al.	
7,559,421 B1	7/2009	McDaniel et al.	
7,559,422 B2	7/2009	Layne et al.	
D804,137 S *	11/2017	Fye	B65G 17/40 D34/29

Related U.S. Application Data

- (62) Division of application No. 29/555,602, filed on Feb. 23, 2016, now Pat. No. Des. 804,137.
- (51) **LOC (12) Cl.** **12-05**
- (52) **U.S. Cl.**
USPC **D34/29**
- (58) **Field of Classification Search**
USPC D34/29, 35
CPC B65G 21/02; B65G 23/08; B65G 43/10;
B65G 13/06; B65G 13/07; B65G
2201/02; B65G 2201/06; B65G 47/268;
B65G 17/24
See application file for complete search history.

References Cited

U.S. PATENT DOCUMENTS

3,768,631 A *	10/1973	Wahren	B65G 17/086 198/840
D263,211 S *	3/1982	Brooks	B65G 17/06 D34/29
5,031,757 A	7/1991	Draebel et al.	

(Continued)

Primary Examiner — Cynthia Ramirez

(74) *Attorney, Agent, or Firm* — King & Schickli, PLLC

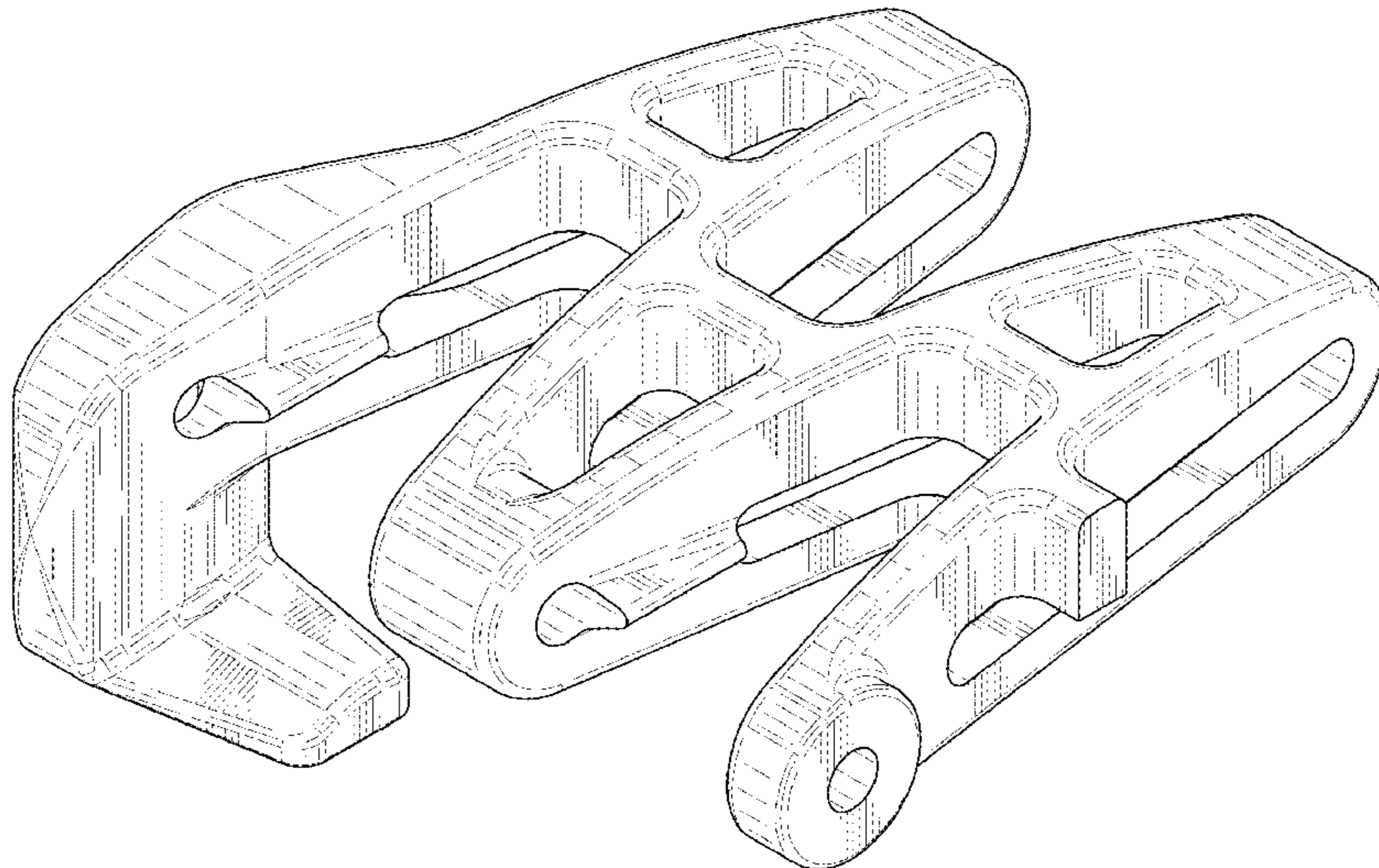
(57) **CLAIM**

The ornamental design for a conveyor link, as shown and described.

DESCRIPTION

FIG. 1 is a rear perspective view of a conveyor link showing our new design;
 FIG. 2 is a bottom perspective view of the conveyor link of FIG. 1;
 FIG. 3 is a rear view of the conveyor link of FIG. 1;
 FIG. 4 is a right side view of the conveyor link of FIG. 1;
 FIG. 5 is a front view of the conveyor link of FIG. 1;
 FIG. 6 is left side view of the conveyor link of FIG. 1;
 FIG. 7 is a top plan view of the conveyor link of FIG. 1; and,
 FIG. 8 is a bottom plan view of the conveyor link of FIG. 1.

1 Claim, 6 Drawing Sheets



(56)

References Cited

U.S. PATENT DOCUMENTS

D806,348 S * 12/2017 Lien D34/35
2002/0179418 A1* 12/2002 Guldenfels B65G 17/06
198/853
2003/0170421 A1* 9/2003 Damkjaer B29C 33/0033
428/131
2005/0067262 A1* 3/2005 Layne B65G 17/08
198/851
2016/0114980 A1* 4/2016 Ishikawa B65G 17/40
198/853

* cited by examiner

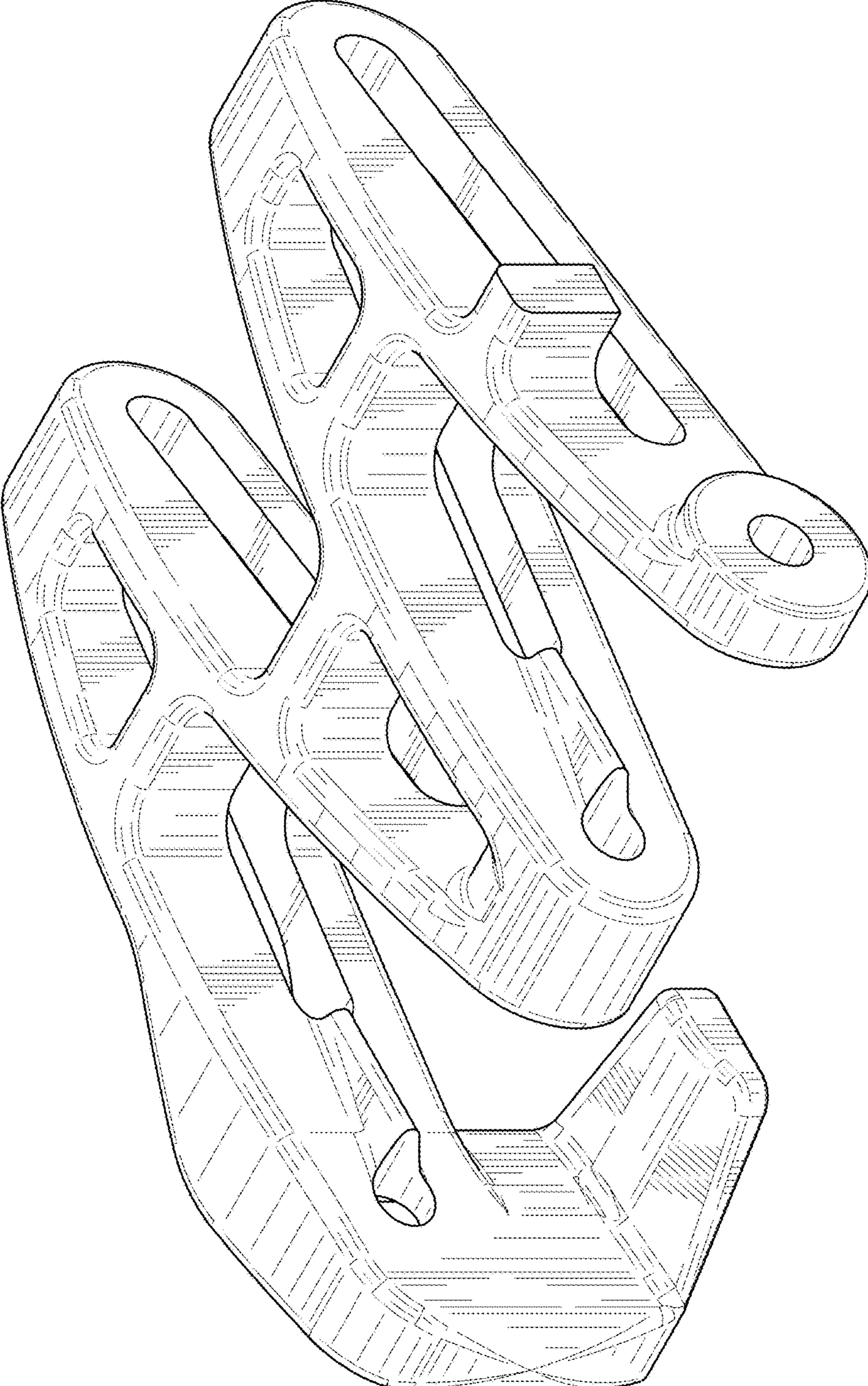


FIG. 1

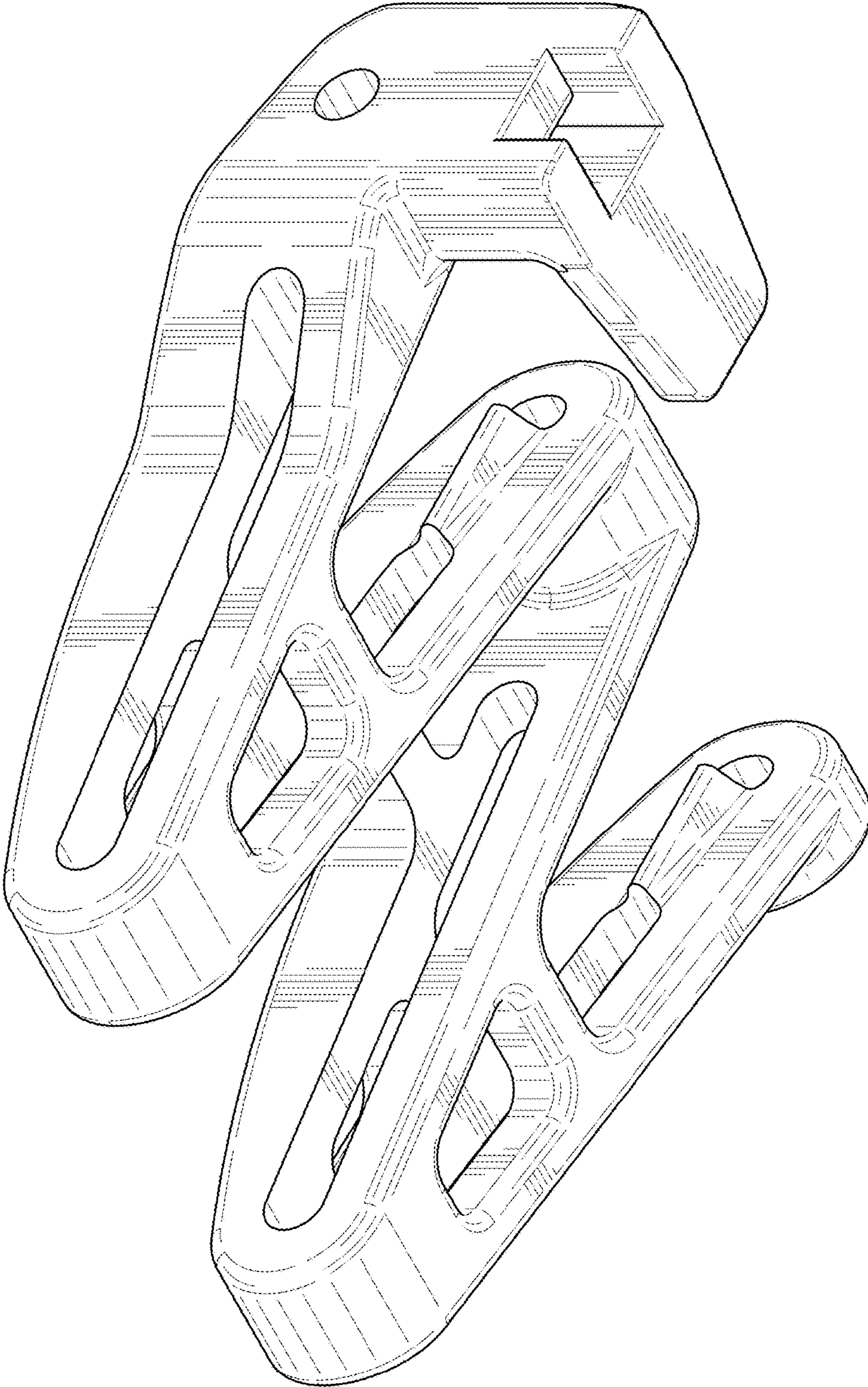


FIG. 2

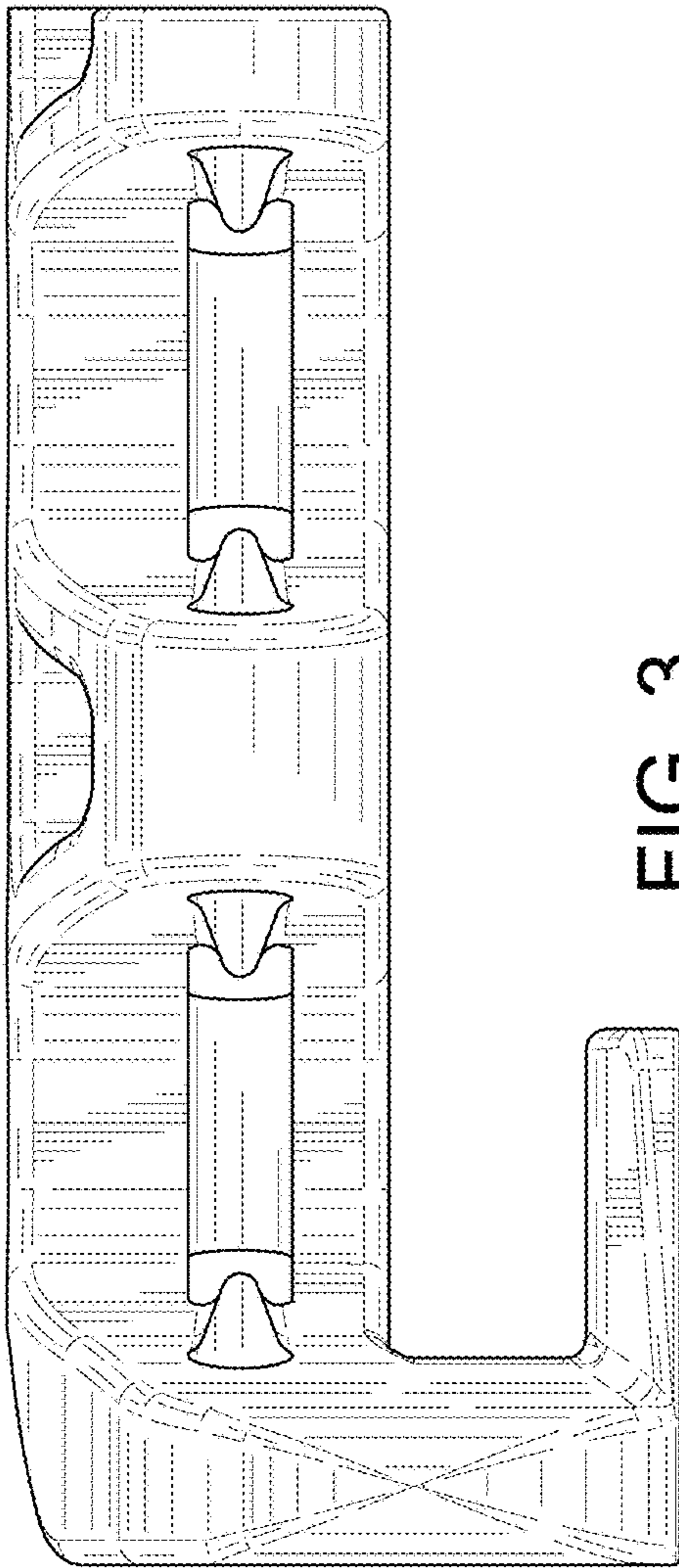


FIG. 3

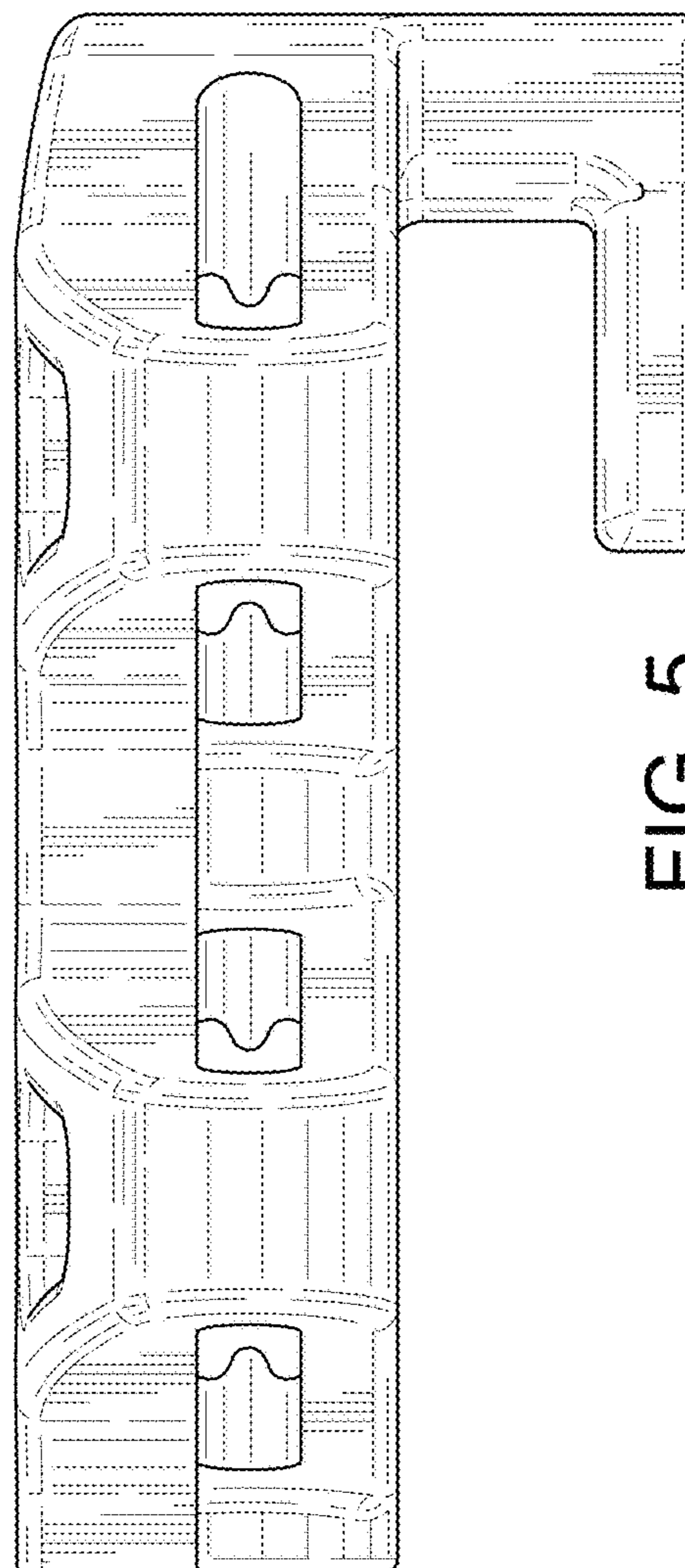


FIG. 5

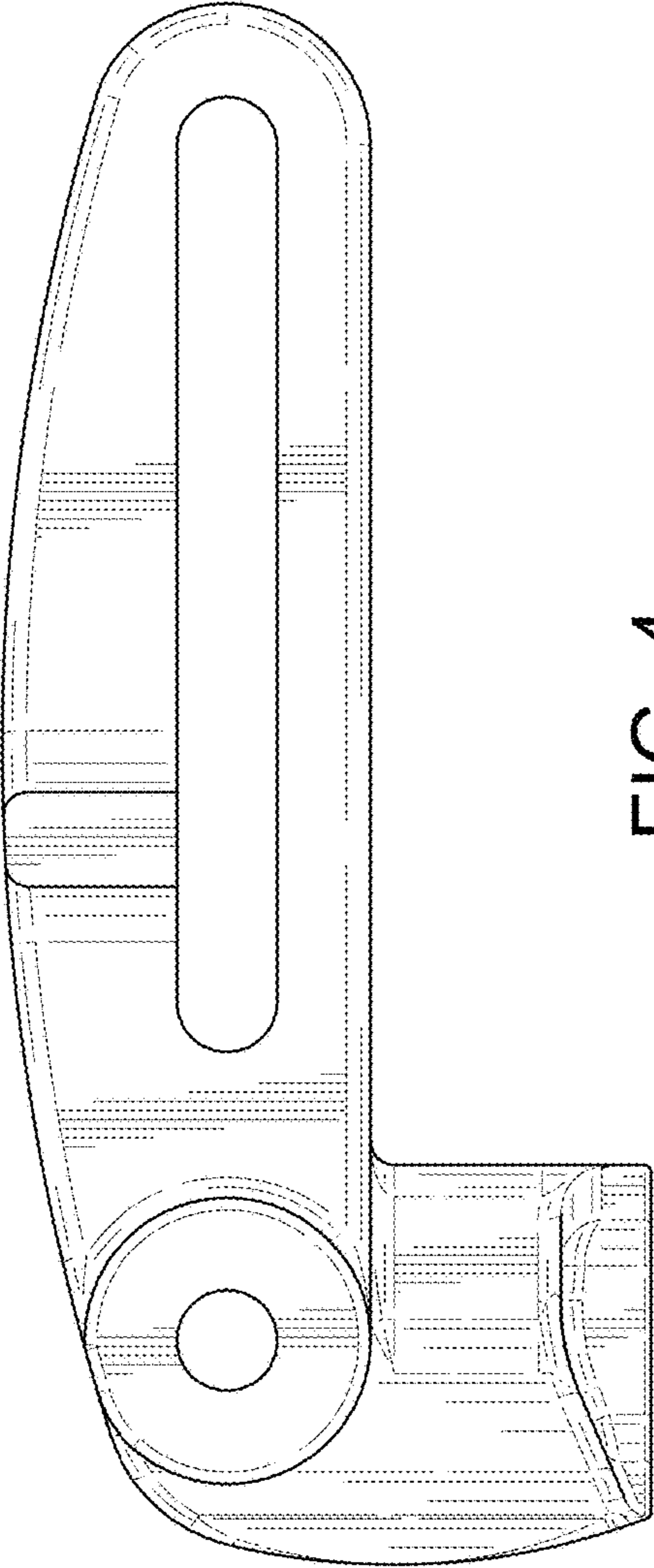


FIG. 4

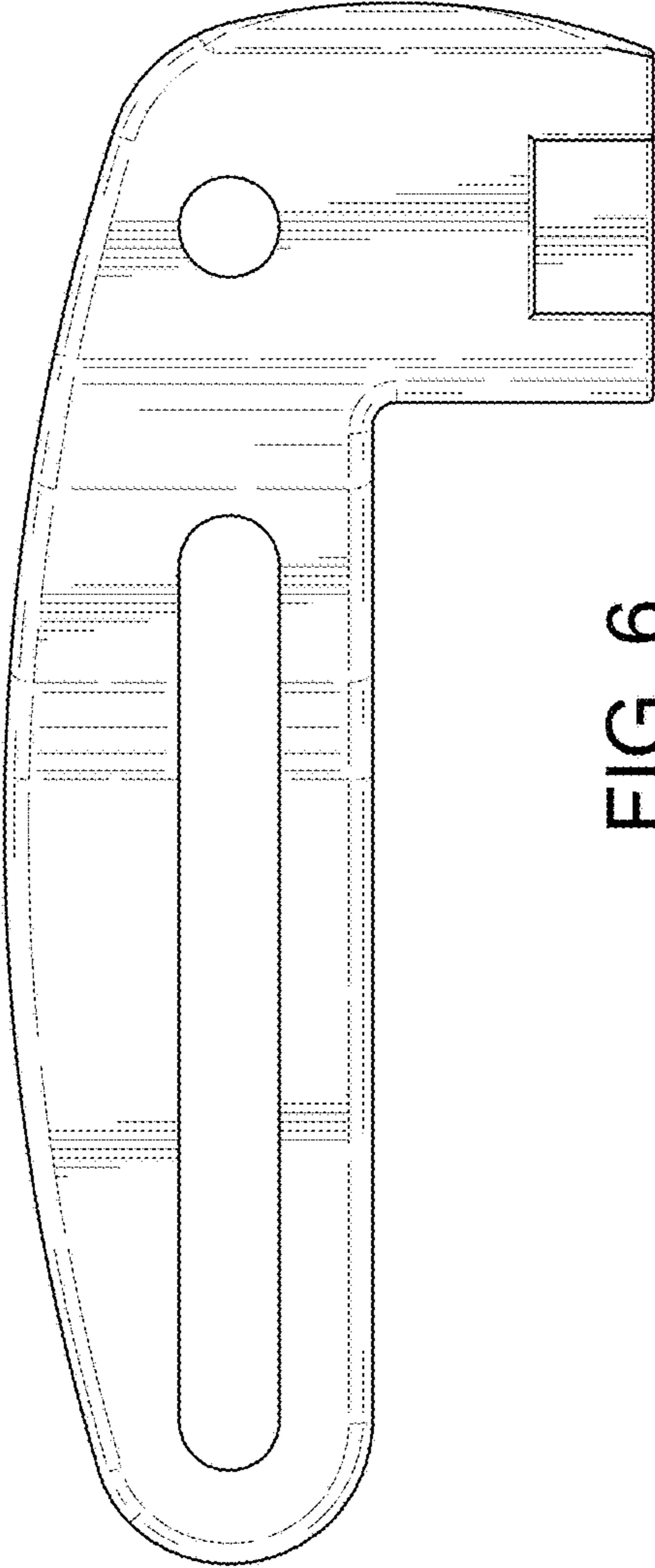


FIG. 6

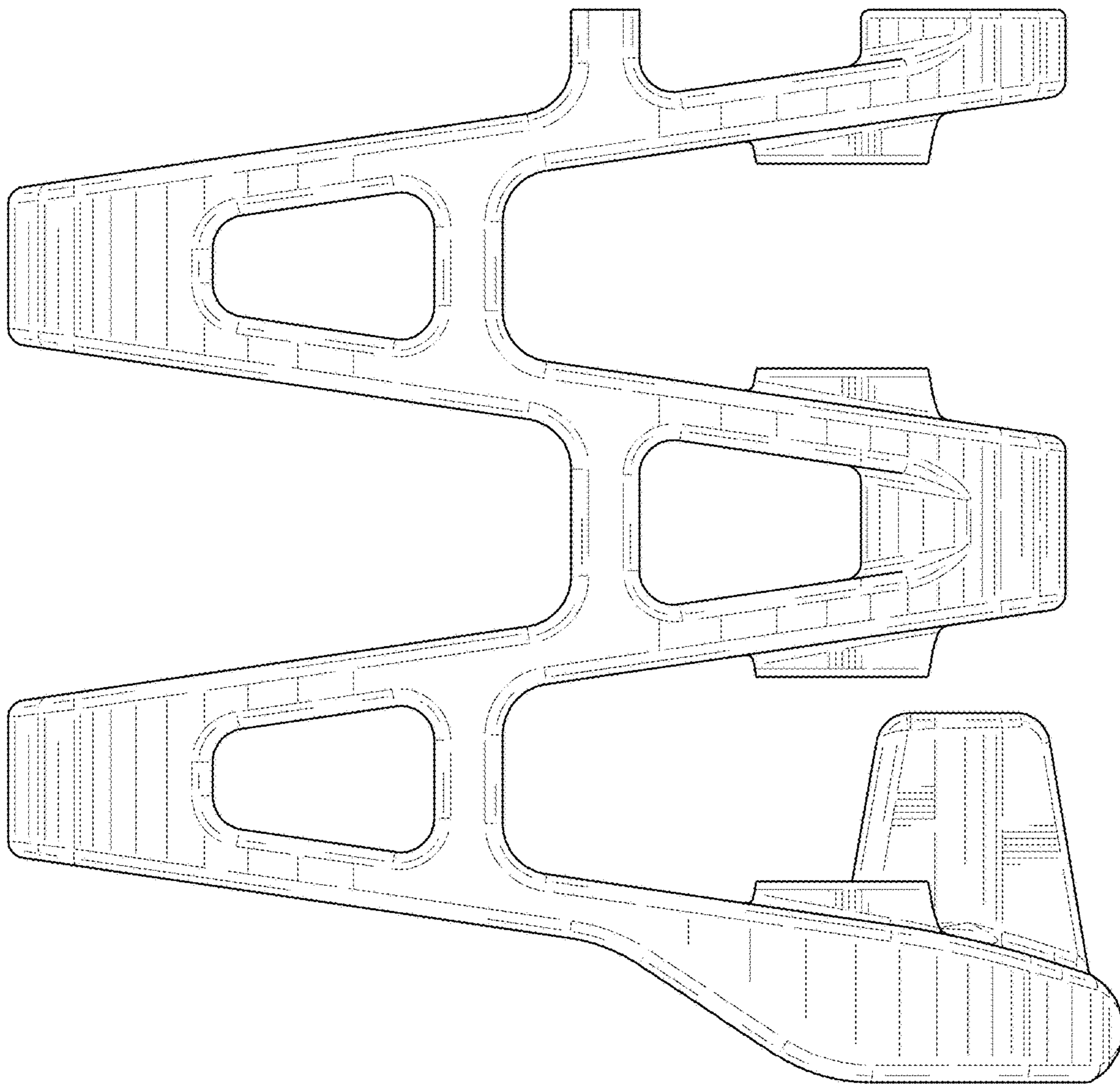


FIG. 7

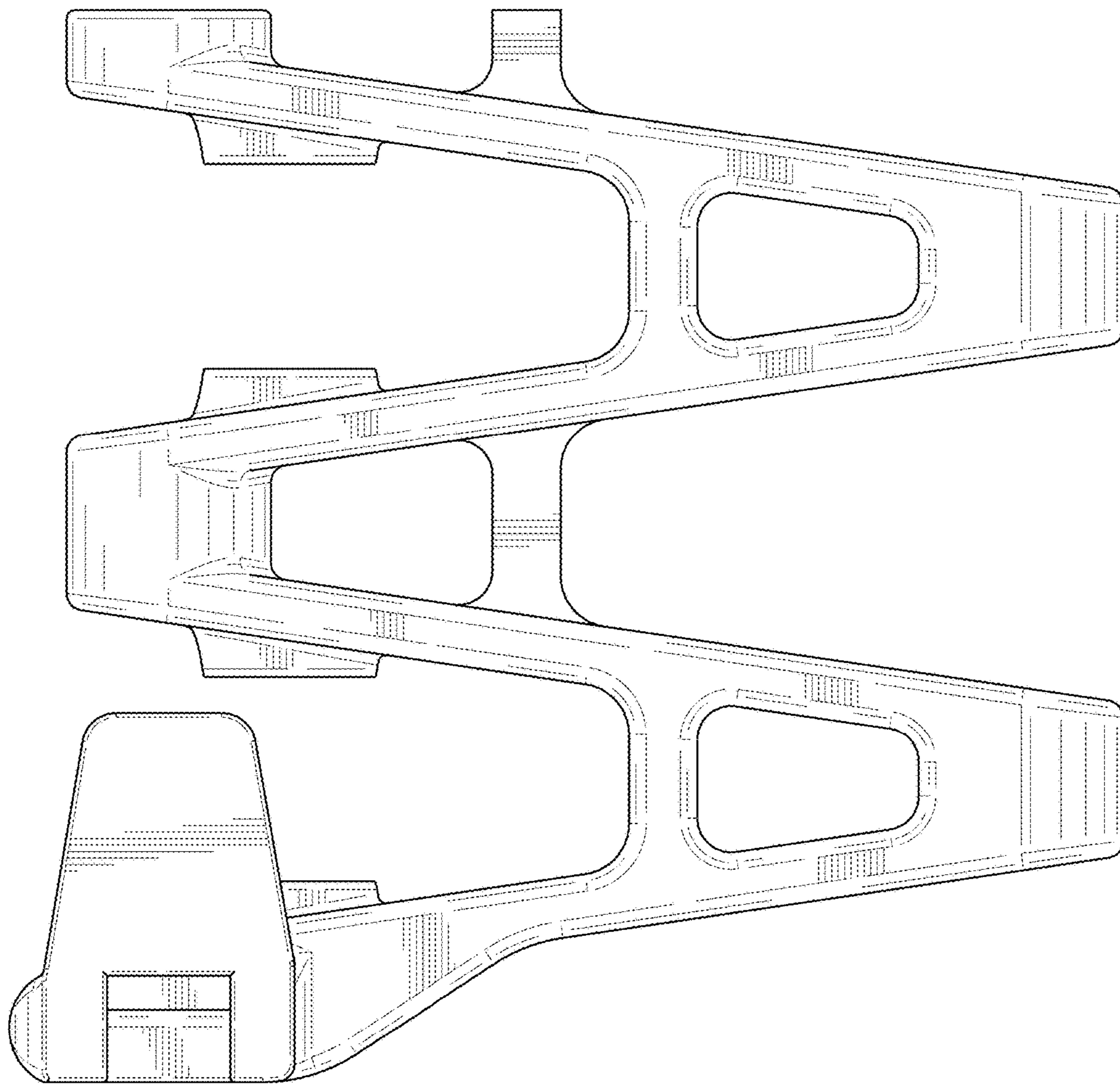


FIG. 8