



US00D856623S

(12) **United States Design Patent** (10) **Patent No.:** **US D856,623 S**
Jilbert (45) **Date of Patent:** **** Aug. 13, 2019**

(54) **SCISSOR LIFT**

(71) Applicant: **JCB ACCESS LIMITED**, Uttoxeter (GB)

(72) Inventor: **Samuel John Jilbert**, Uttoxeter (GB)

(73) Assignee: **JCB ACCESS LIMITED**, Uttoxeter (GB)

(**) Term: **15 Years**

(21) Appl. No.: **29/610,589**

(22) Filed: **Jul. 13, 2017**

(51) **LOC (12) Cl.** **12-05**

(52) **U.S. Cl.**
USPC **D34/28**

(58) **Field of Classification Search**
USPC D34/28
CPC B66F 5/02; B66F 5/00; B66F 7/00; B66F 7/04; B66F 7/06; B66F 9/065; B66F 17/006; B66F 11/046; E04G 1/22
See application file for complete search history.

(56) **References Cited**

U.S. PATENT DOCUMENTS

3,920,096 A * 11/1975 Fisher B66F 11/042
182/14

D306,369 S * 2/1990 Kishi D34/28

4,930,598 A * 6/1990 Murrill B66F 11/042
182/141

2002/0195295 A1* 12/2002 Arnoldy B66F 11/042
182/69.5

2003/0029673 A1* 2/2003 Puskiewicz B66F 9/06
182/69.1

2004/0045768 A1* 3/2004 Puskiewicz B66F 17/006
182/69.5

2012/0186908 A1* 7/2012 Crook B66F 11/042
182/69.5

2014/0265254 A1* 9/2014 Sekine B66F 9/07586
280/638

2015/0246684 A1* 9/2015 Ahern B62D 5/0457
701/41

2016/0280246 A1* 9/2016 Pino B66F 5/02

2017/0233232 A1* 8/2017 Davis B66F 11/042
182/69.5

2017/0283229 A1* 10/2017 Shi B66F 17/006

2018/0057333 A1* 3/2018 Gale B66F 11/042

2018/0162708 A1* 6/2018 Pithoud B66F 11/042

2018/0251354 A1* 9/2018 Mohlman B66F 11/042

* cited by examiner

Primary Examiner — Cynthia Ramirez

(74) Attorney, Agent, or Firm — Marshall, Gerstein & Borun LLP

(57) **CLAIM**

The ornamental design for a scissors lift, as shown and described.

DESCRIPTION

FIG. 1 is a right-side, back, and top view of a scissors lift, showing the new design.

FIG. 2 is a left-side, back, and top view of the scissors lift.

FIG. 3 is a right-side elevation of the scissors lift.

FIG. 4 is a left-side elevation of the scissors lift.

FIG. 5 is a rear elevation of the scissors lift.

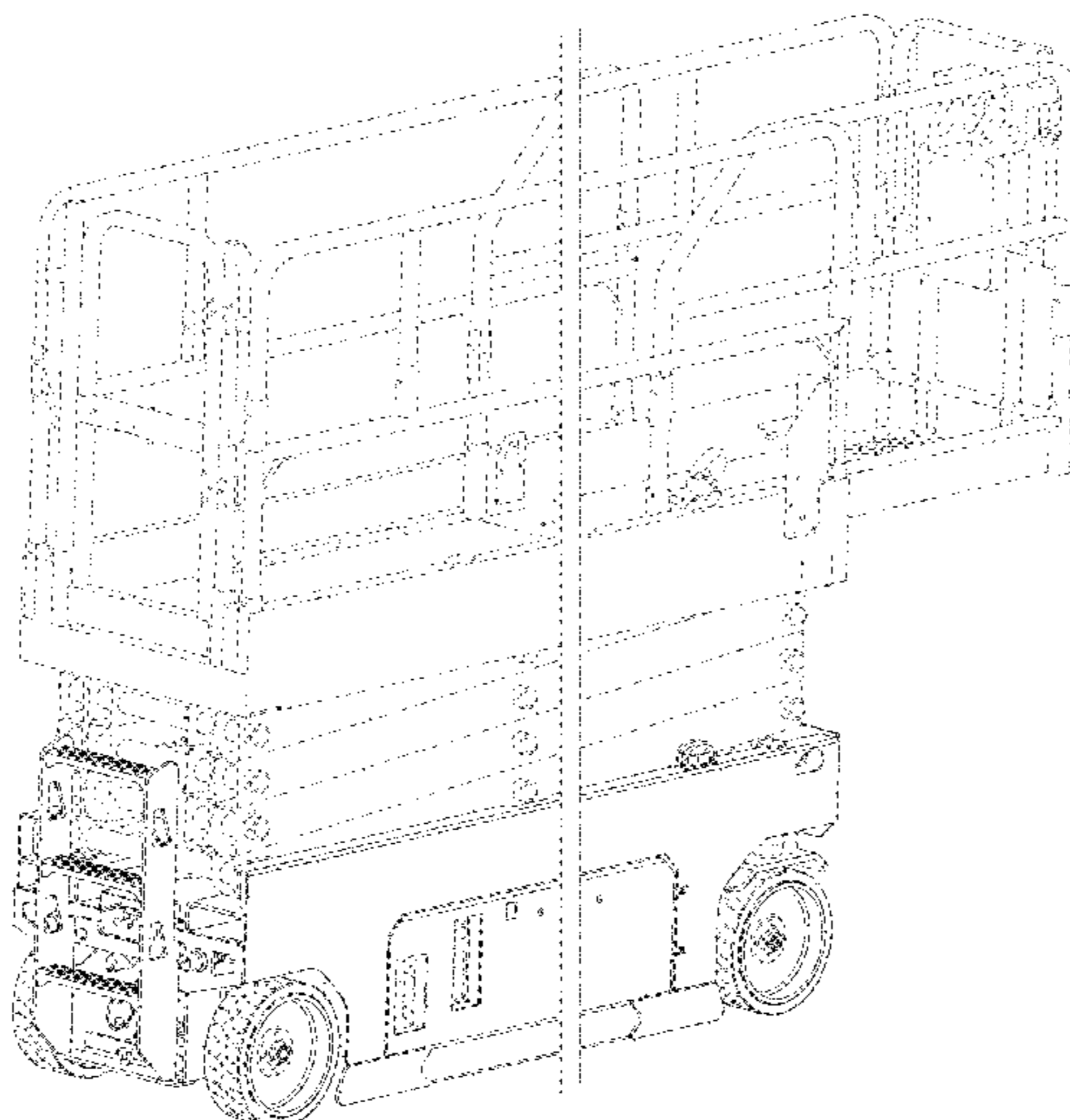
FIG. 6 is a front elevation of the scissors lift.

FIG. 7 is top plan view of the scissors lift; and,

FIG. 8 is an underside plan view.

The scissors lift is shown with a symbolic break in its length. The appearance of any portion of the article between the break lines forms no part of the claimed design. The broken lines represent unclaimed portions of the scissor lift, and form no part of the claimed design.

1 Claim, 8 Drawing Sheets



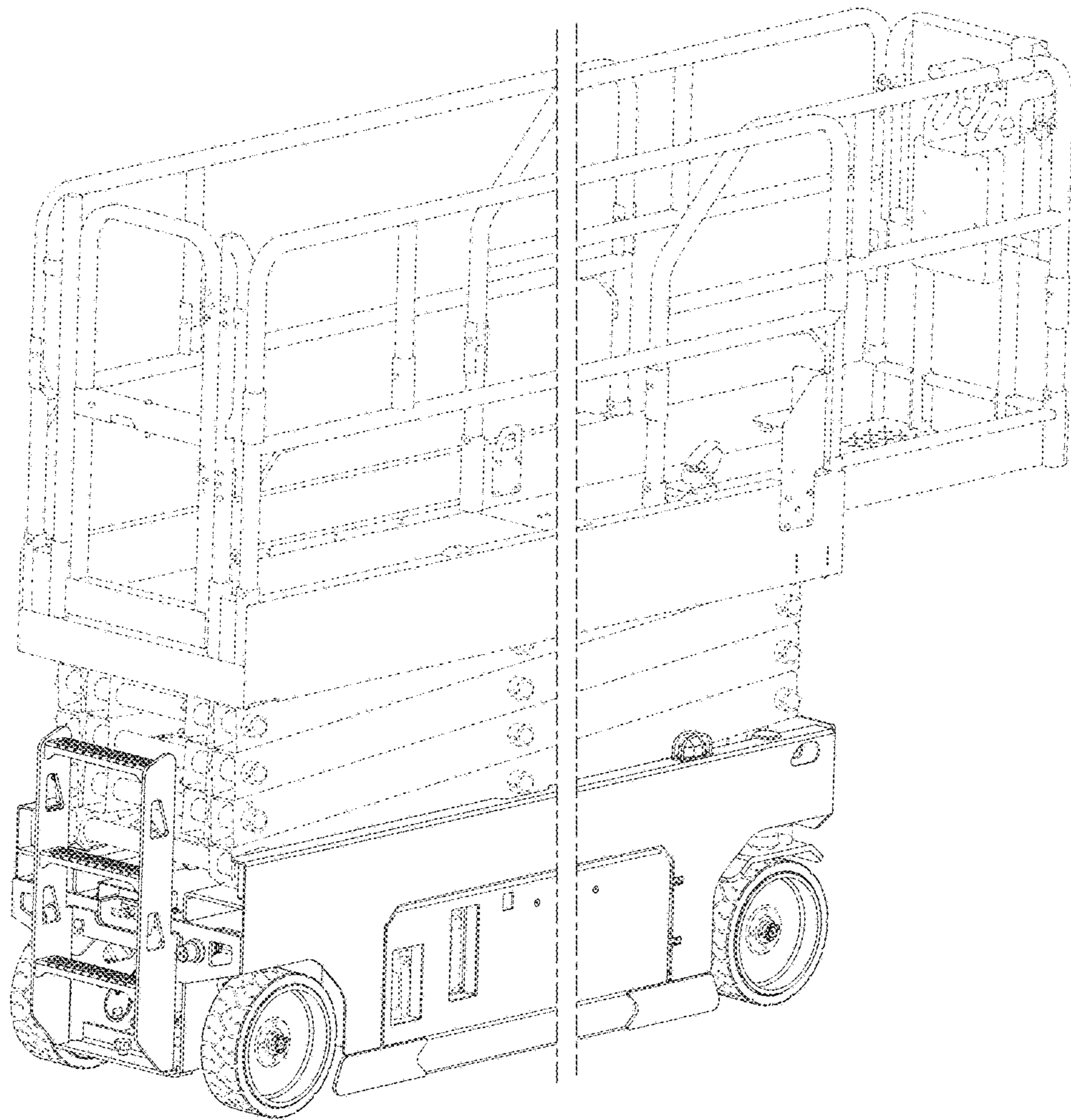


Fig. 1

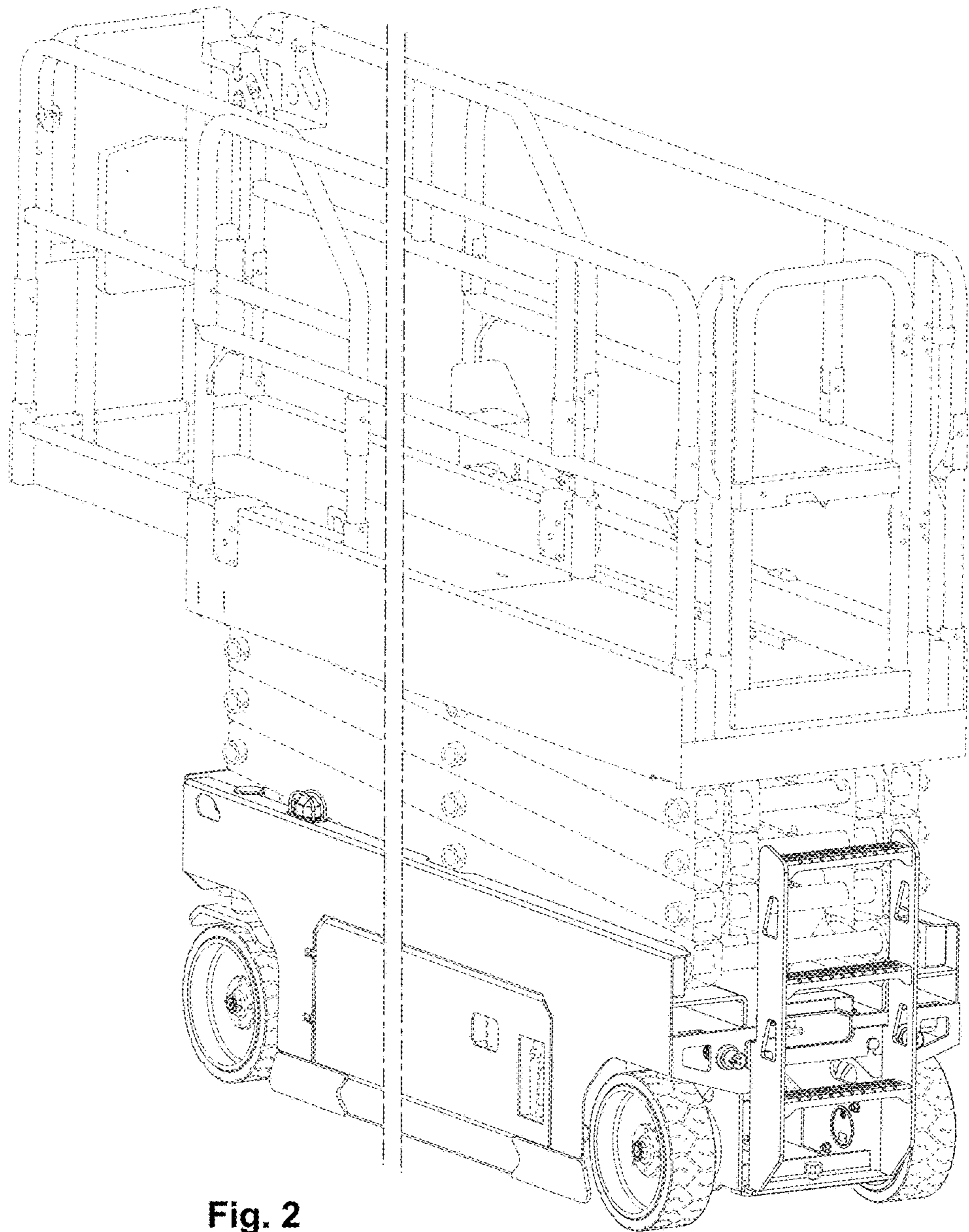


Fig. 2

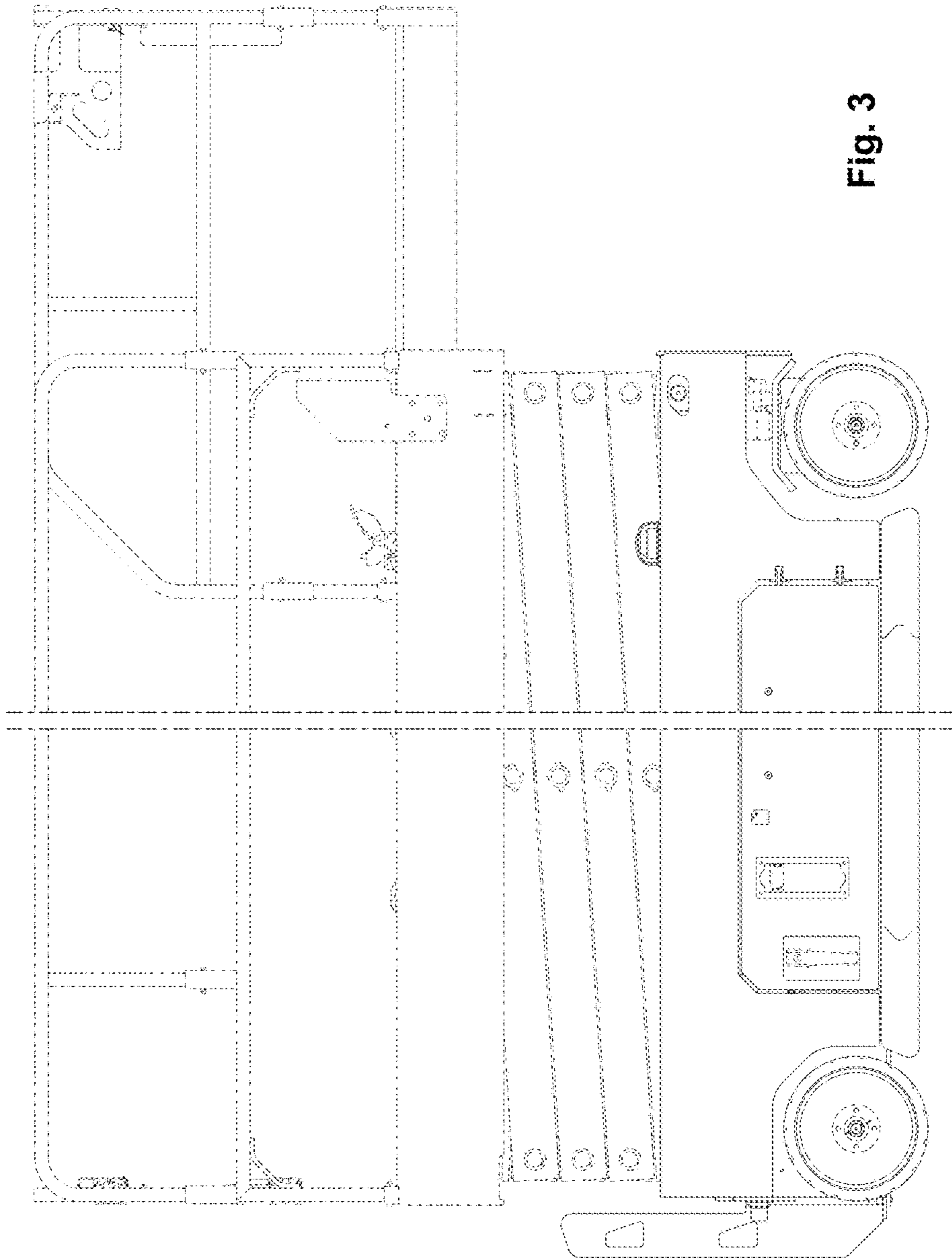


Fig. 3

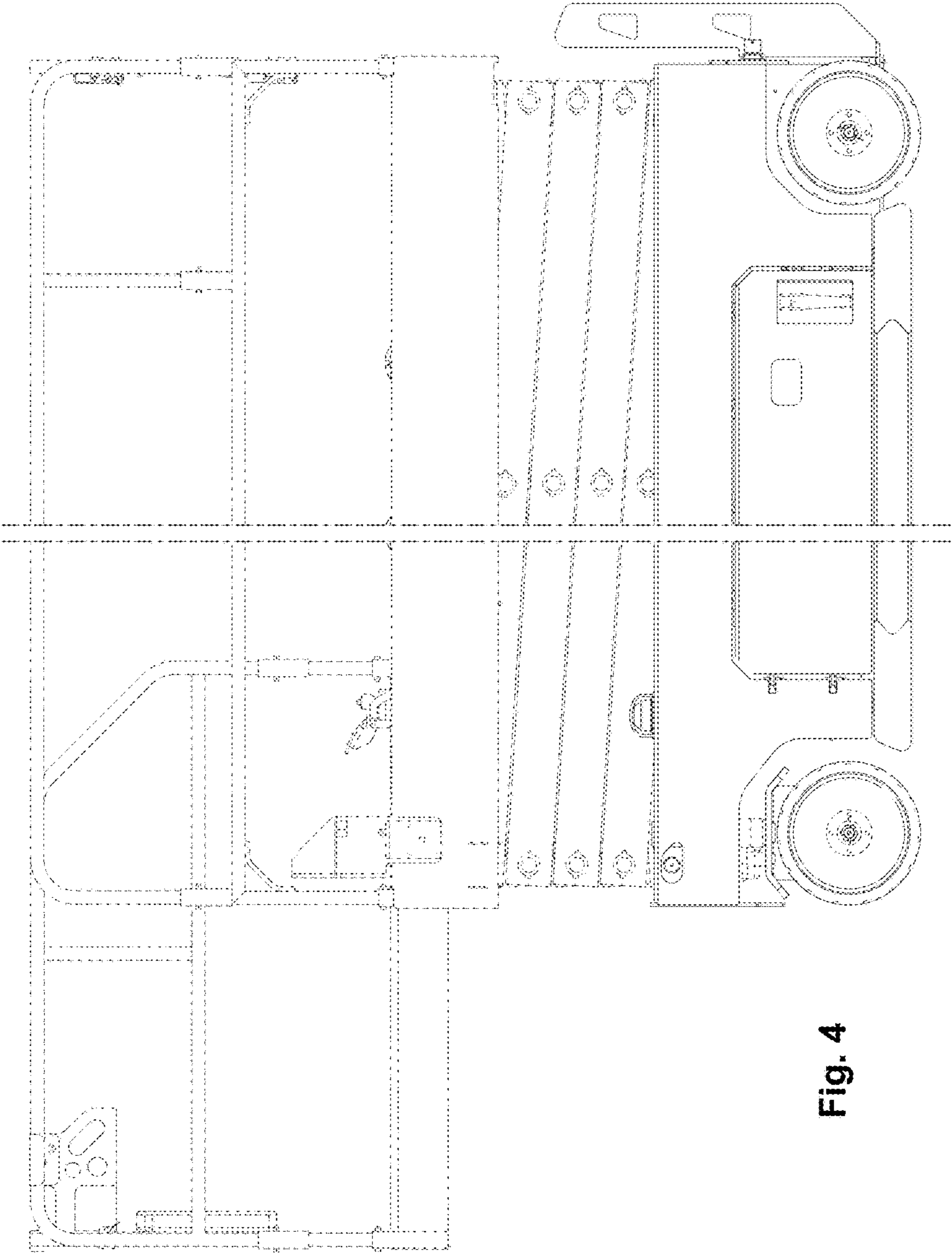


Fig. 4

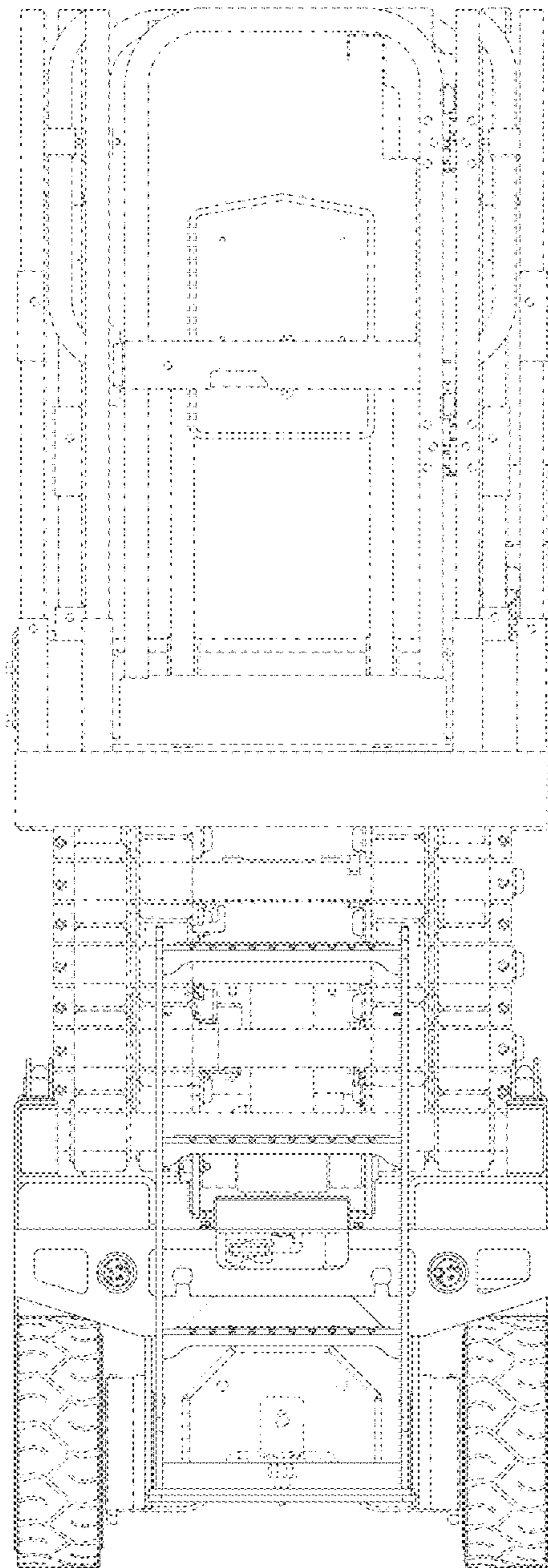


Fig. 5

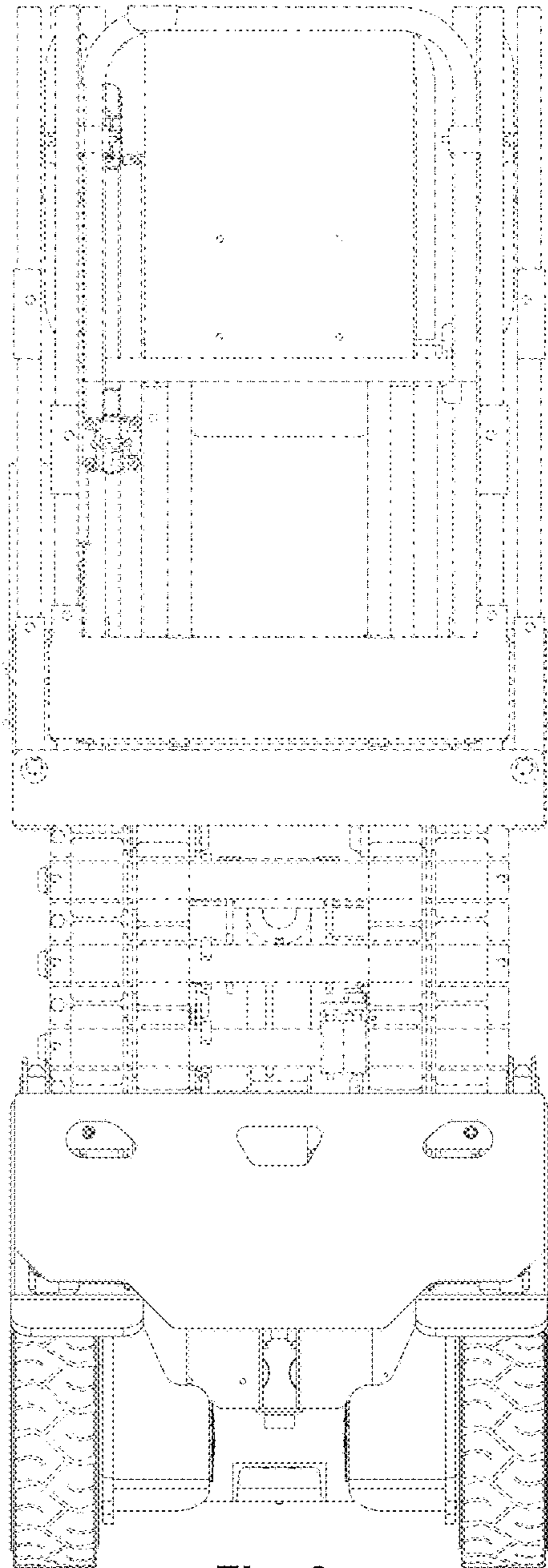


Fig. 6

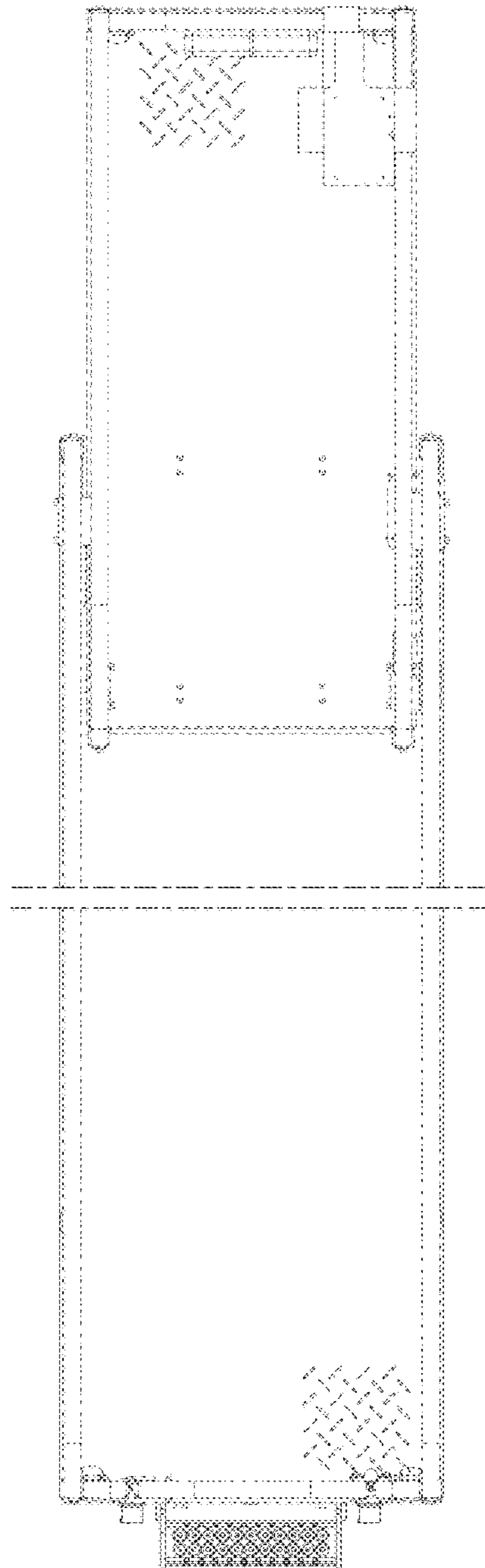


Fig. 7

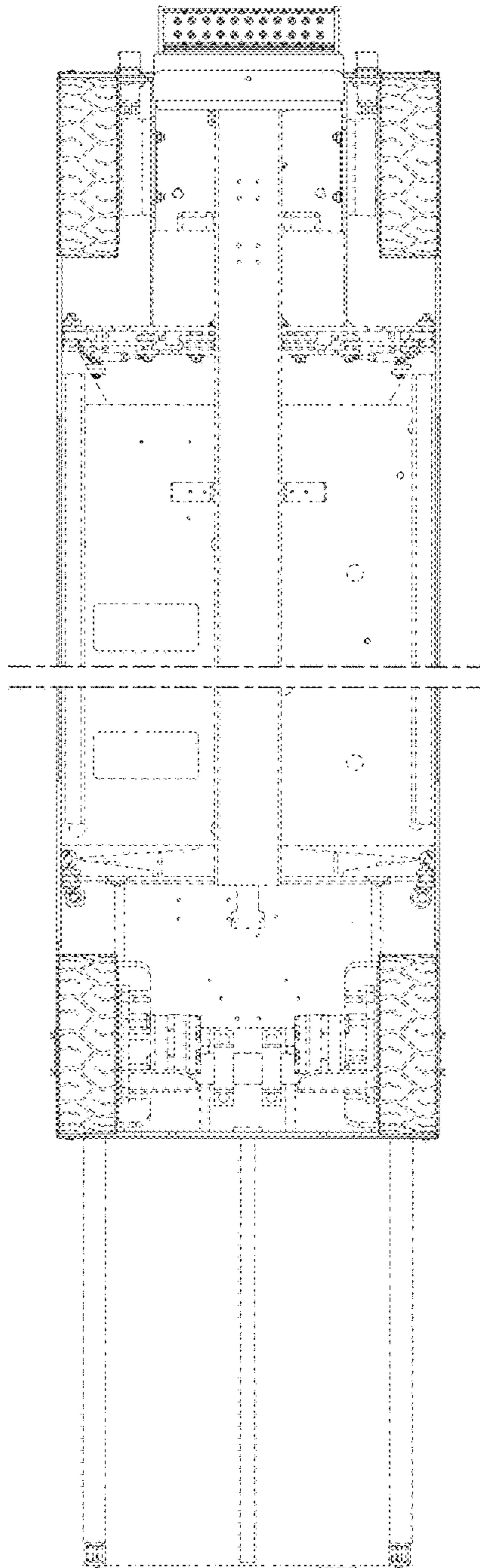


Fig. 8